

US00D494228S1

(12) **United States Design Patent**
Lane

(10) **Patent No.:** **US D494,228 S**

(45) **Date of Patent:** **** Aug. 10, 2004**

(54) **DISPLAY CASE**

(75) **Inventor:** **Henry Welling Lane**, San Luis Obispo, CA (US)

(73) **Assignee:** **Dioptics Medical Products, Inc.**, San Luis Obispo, CA (US)

(**) **Term:** **14 Years**

(21) **Appl. No.:** **29/189,458**

(22) **Filed:** **Sep. 5, 2003**

(51) **LOC (7) Cl.** **09-03**

(52) **U.S. Cl.** **D21/415; D9/418; D3/265**

(58) **Field of Search** D9/414, 415, 418, D9/422, 457; D3/263-266, 201, 219; 206/5, 5.1, 6, 461-471, 806, 769, 770, 775

(56) **References Cited**

U.S. PATENT DOCUMENTS

D74,101 S	12/1927	Day	
D113,402 S	2/1939	Schram	
D128,446 S	1/1947	Kalintz et al.	
D158,670 S	5/1950	Klien	
2,738,054 A	3/1956	Baratelli	
D189,994 S	3/1961	Speilberg	
3,000,417 A	9/1961	Goldstein	
3,250,387 A *	5/1966	Jacobson et al.	206/470
3,273,702 A *	9/1966	Palmer	229/102.5
3,608,705 A *	9/1971	Moshel	206/461
D282,718 S *	2/1986	Fireman	D9/337
D293,389 S	12/1987	Vitaloni	
D296,993 S *	8/1988	Givings	206/454
4,823,943 A	4/1989	Chang	
D308,598 S	6/1990	Burchett	

D308,755 S	6/1990	Chang	
D346,815 S	5/1994	Wake	
D349,403 S	8/1994	Cereda	
D364,561 S *	11/1995	Chapman et al.	D9/415
5,493,349 A *	2/1996	Barhydt et al.	351/158
5,501,321 A	3/1996	Liu	
5,617,948 A	4/1997	Rainey	
D382,475 S *	8/1997	Cooper	D9/415
D406,460 S	3/1999	Newcomer	
D411,347 S	6/1999	Newcomer	
D412,059 S	7/1999	White et al.	
6,003,663 A	12/1999	Newcomer	
6,003,672 A *	12/1999	Chapman et al.	206/579
6,273,375 B1 *	8/2001	Knepp et al.	248/214

* cited by examiner

Primary Examiner—Prabhakar Deshmukh

(74) *Attorney, Agent, or Firm*—Derek J. Westberg

(57) **CLAIM**

The ornamental design for a display case, as shown and described.

DESCRIPTION

FIG. 1 is a front perspective view of a display case showing my new design;

FIG. 2 is a front elevation view thereof;

FIG. 3 is a rear elevation view thereof;

FIG. 4 is a bottom view of thereof;

FIG. 5 is a top view of thereof; and,

FIG. 6 is a left side elevation view thereof, the right side being a mirror image of the left side.

The broken lines are for illustrative purposes only and form no part of the claimed design.

1 Claim, 3 Drawing Sheets

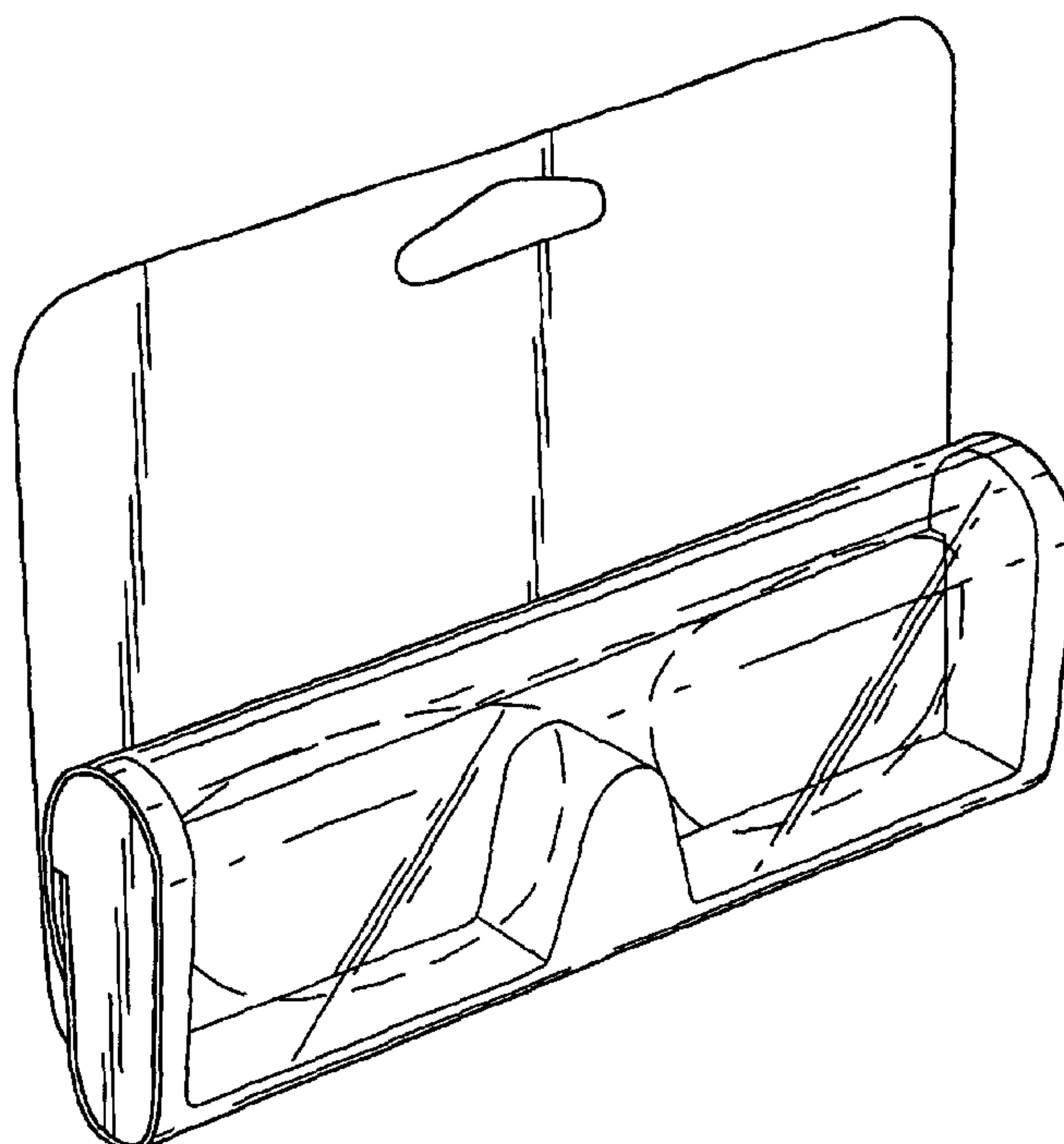


FIG. 1

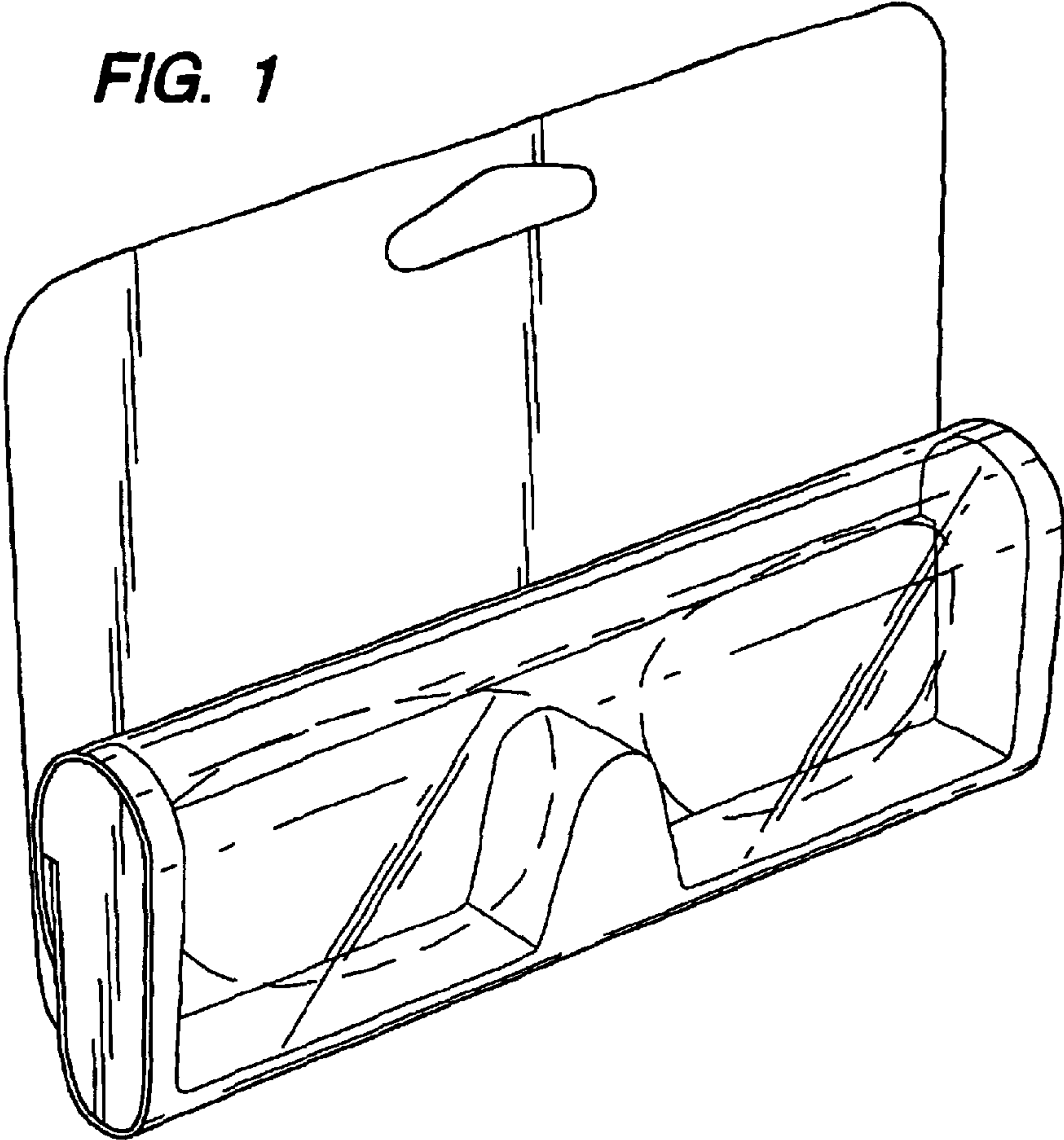


FIG. 2

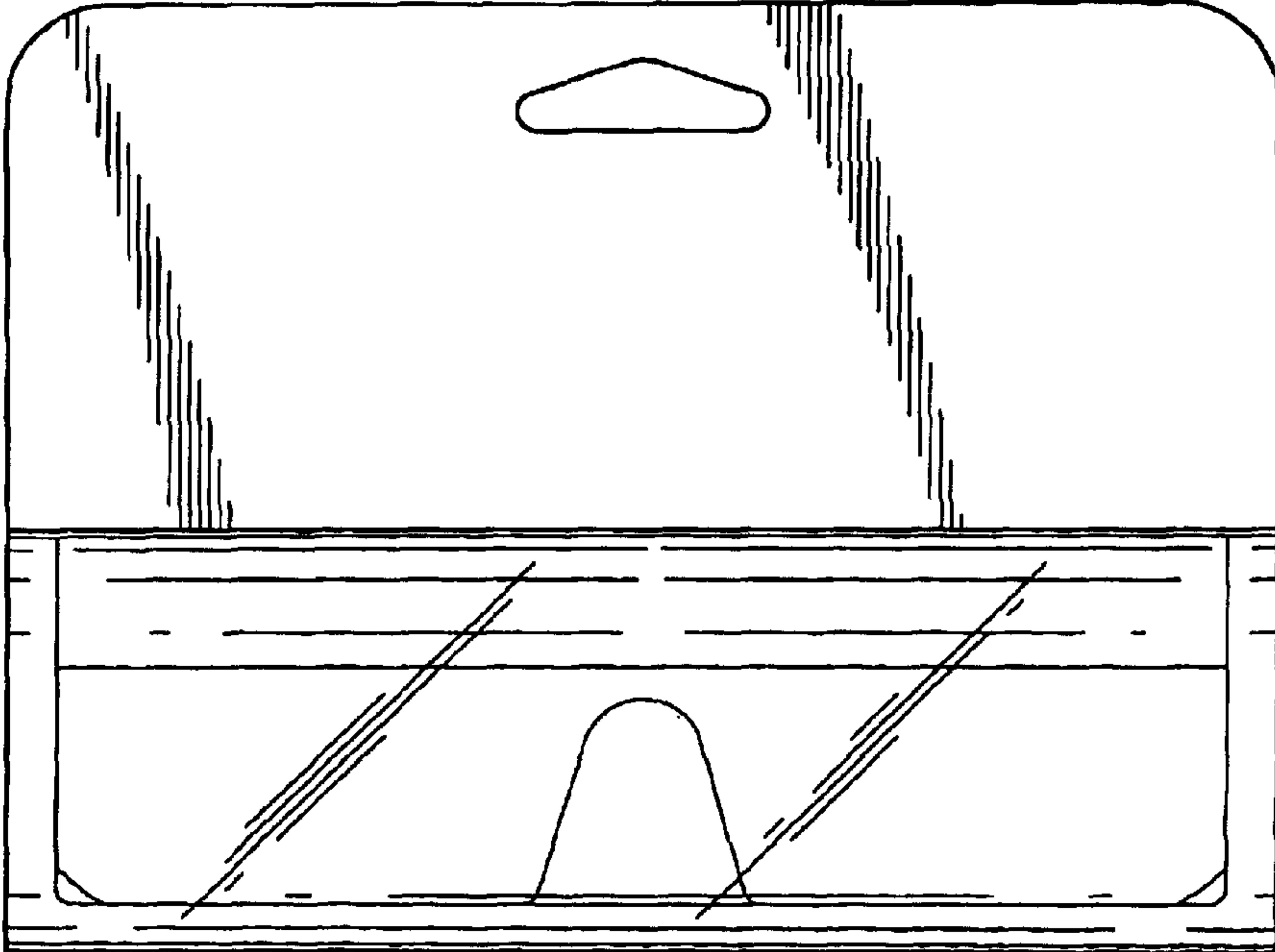


FIG. 3

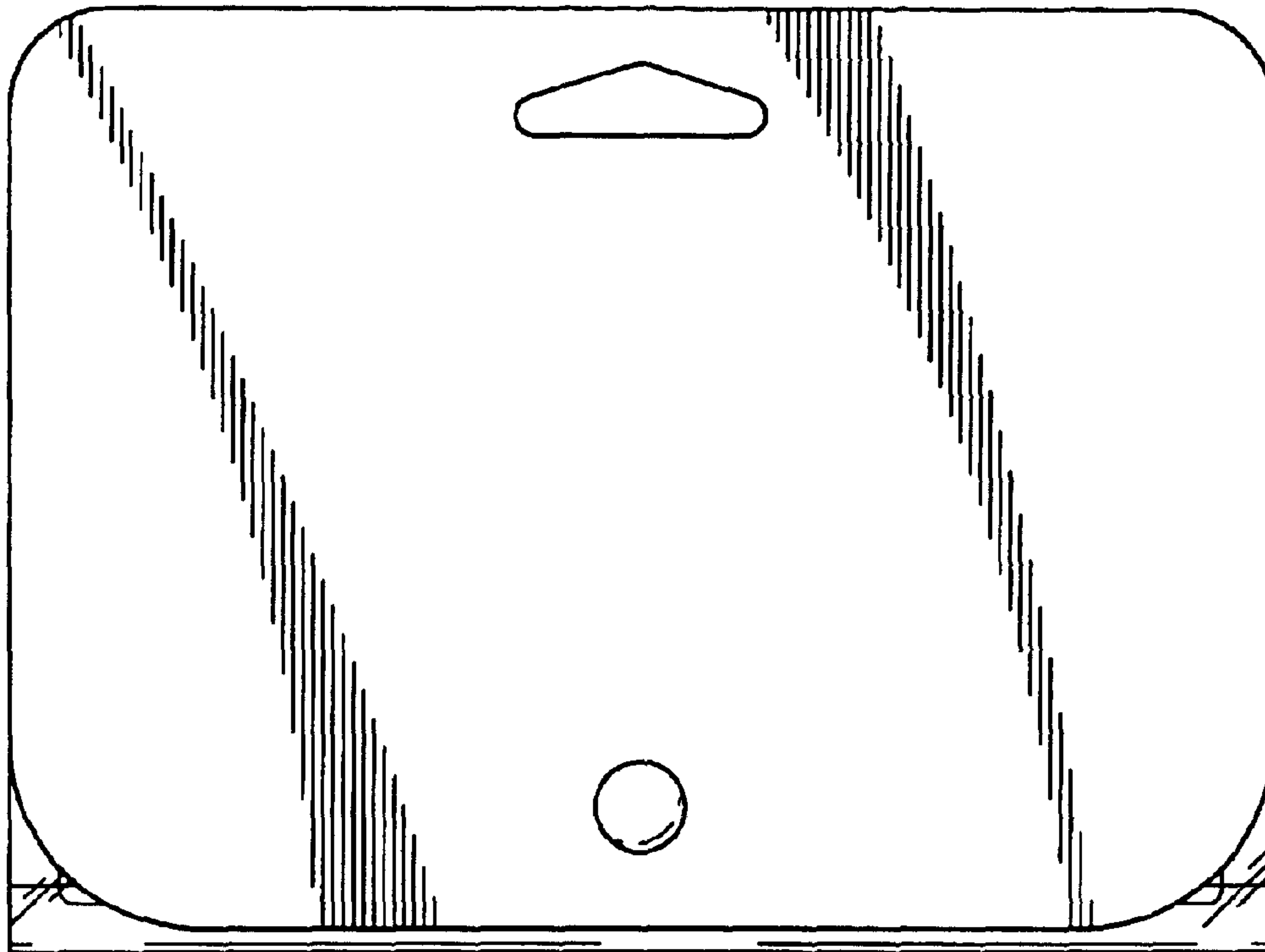


FIG. 4

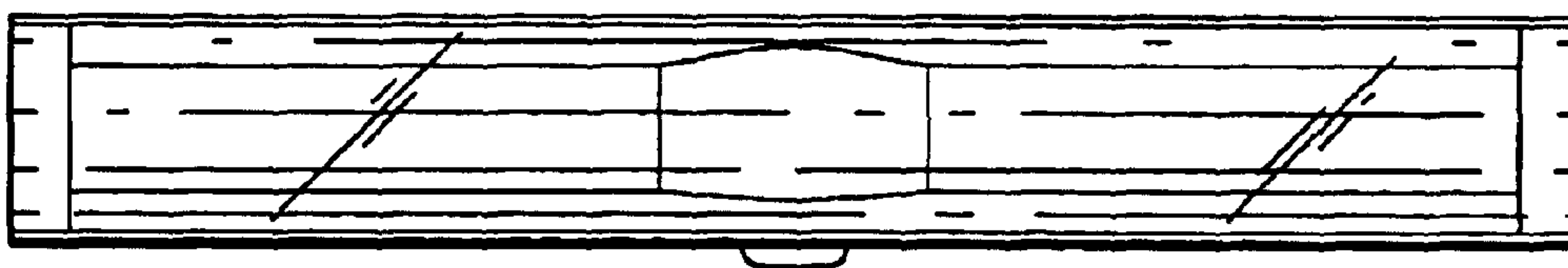


FIG. 5

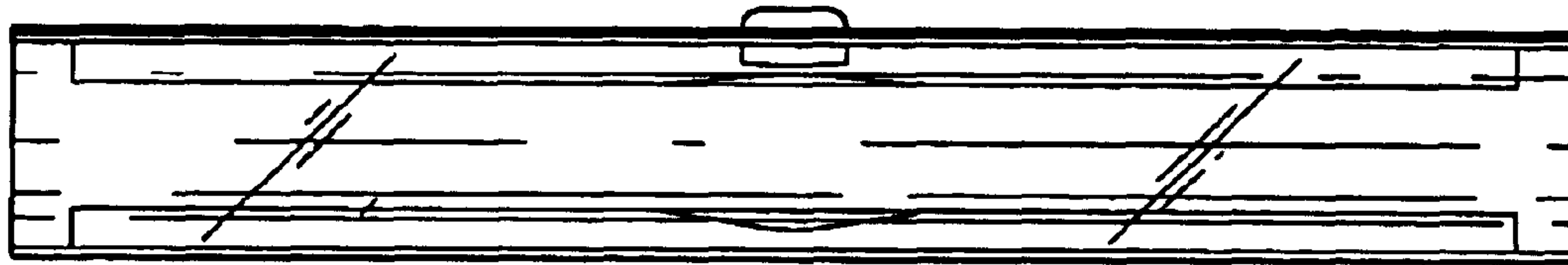
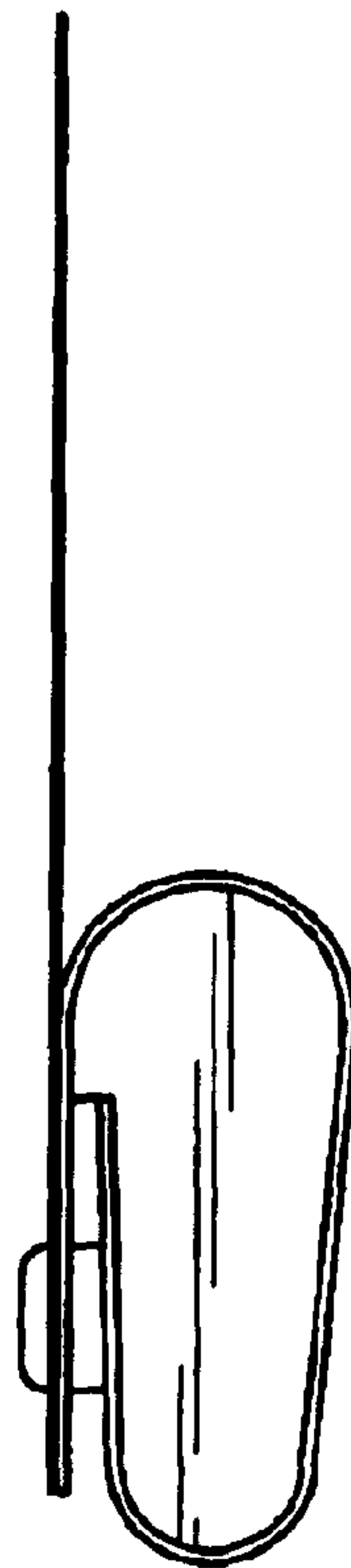


FIG. 6



UNITED STATES PATENT AND TRADEMARK OFFICE
CERTIFICATE OF CORRECTION

PATENT NO. : Des. 494,228 S
DATED : August 10, 2004
INVENTOR(S) : Henry Welling Lane


Page 1 of 1

It is certified that error appears in the above-identified patent and that said Letters Patent is hereby corrected as shown below:

Title page,
Item [57], **DESCRIPTION,**
Lines 5 and 6, replace "of thereof" with -- thereof --.

Signed and Sealed this

Twenty-third Day of August, 2005

A handwritten signature in black ink on a light gray dotted background. The signature reads "Jon W. Dudas" in a cursive style.

JON W. DUDAS

Director of the United States Patent and Trademark Office