



US00D494227S1

(12) **United States Design Patent**
Hussaini et al.

(10) **Patent No.:** **US D494,227 S**

(45) **Date of Patent:** **** Aug. 10, 2004**

(54) **GAME HOLDER DEVICE**

(75) Inventors: **Saied Hussaini**, Miami, FL (US); **Marc Iacovelli**, Miami, FL (US)

(73) Assignee: **Intec, Inc.**, Miami, FL (US)

(**) Term: **14 Years**

(21) Appl. No.: **29/187,872**

(22) Filed: **Aug. 11, 2003**

(51) **LOC (7) Cl.** **21-01**

(52) **U.S. Cl.** **D21/392; D21/333**

(58) **Field of Search** **D3/315; D21/333, D21/385, 392-396; 273/236-285, 148 R, 148 A, 150, 148 B**

(56) **References Cited**

U.S. PATENT DOCUMENTS

1,344,547 A	*	6/1920	Maier	273/149 R
D279,845 S	*	7/1985	Holliman	D14/457
5,362,059 A	*	11/1994	Grossman	473/228
D385,309 S	*	10/1997	Riley et al.	D21/333

* cited by examiner

Primary Examiner—Sandra L. Morris

(74) *Attorney, Agent, or Firm*—Liniak, Berenato & White

(57) **CLAIM**

The ornamental design for a game holder device, as shown and described.

DESCRIPTION

FIG. 1 is a top view of the game holder device according to the present invention.

FIG. 2 is a left side view of the game holder device of FIG. 1.

FIG. 3 is a right side view of the game holder device of FIG. 1.

FIG. 4 is a bottom view of the game holder device of FIG. 1.

FIG. 5 is a rear side view of the game holder device of FIG. 1.

FIG. 6 is a front view of the game holder device of FIG. 1; and,

FIG. 7 is a perspective view of the game holder device according to the present invention.

1 Claim, 7 Drawing Sheets

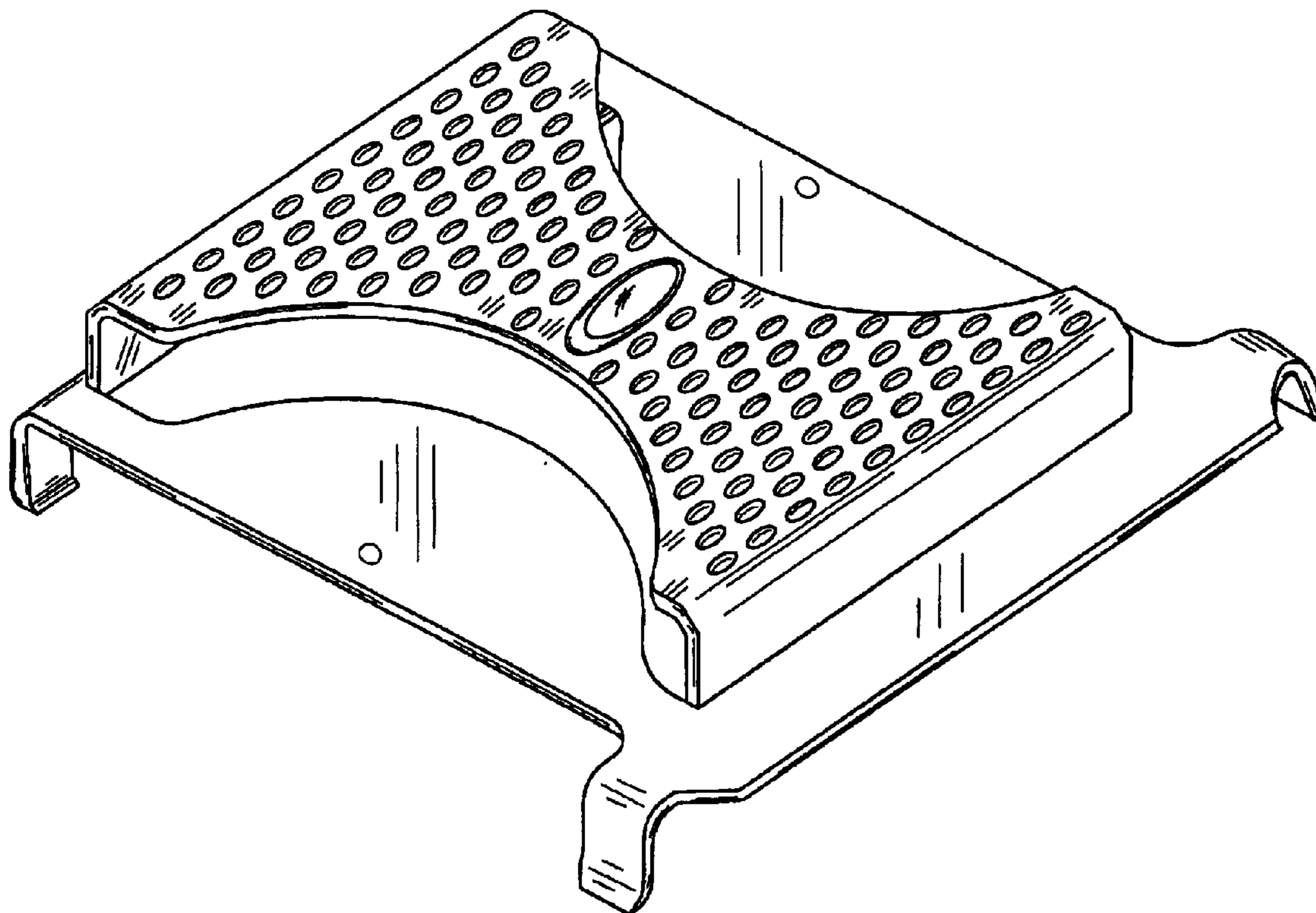


Fig. 1

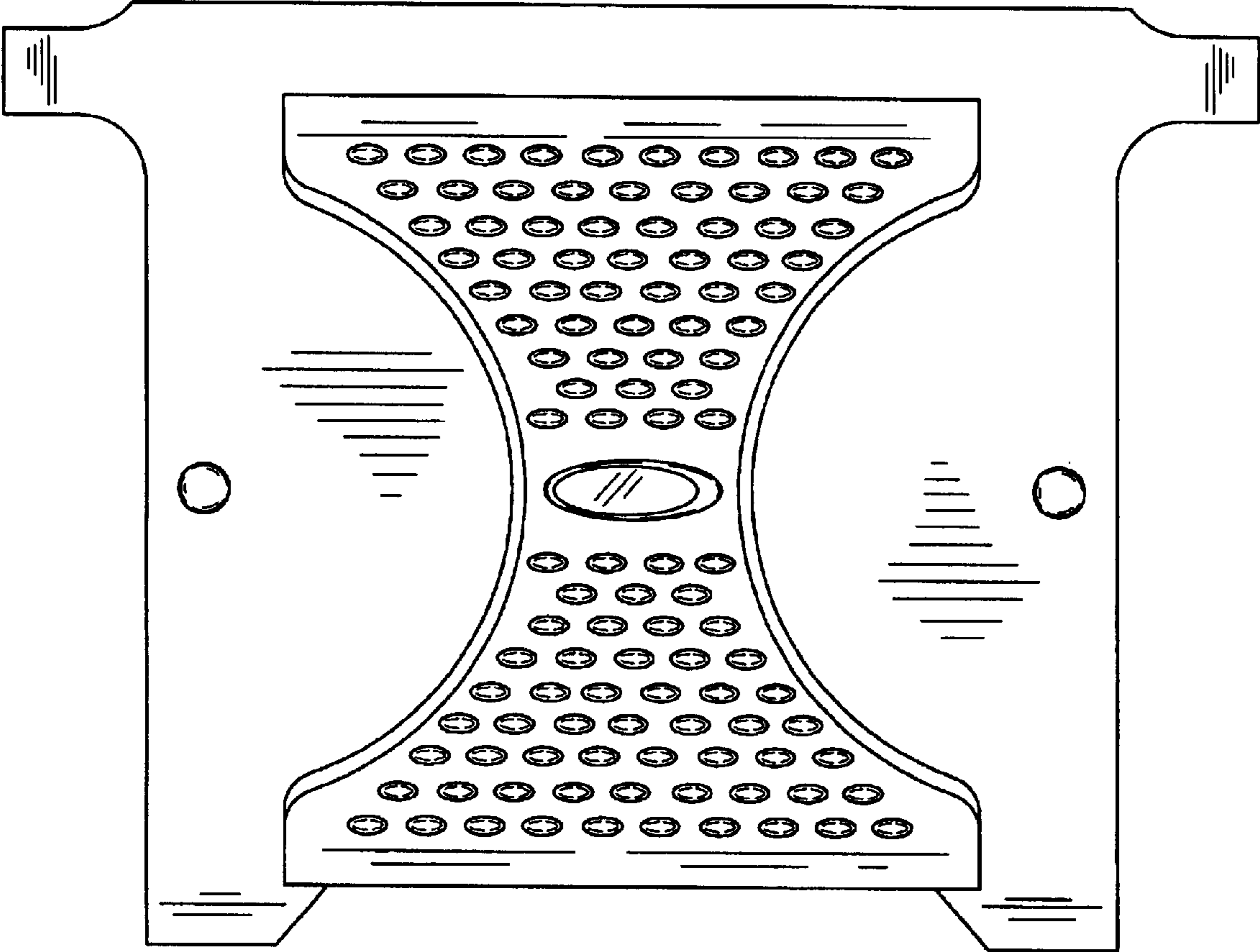


Fig. 2

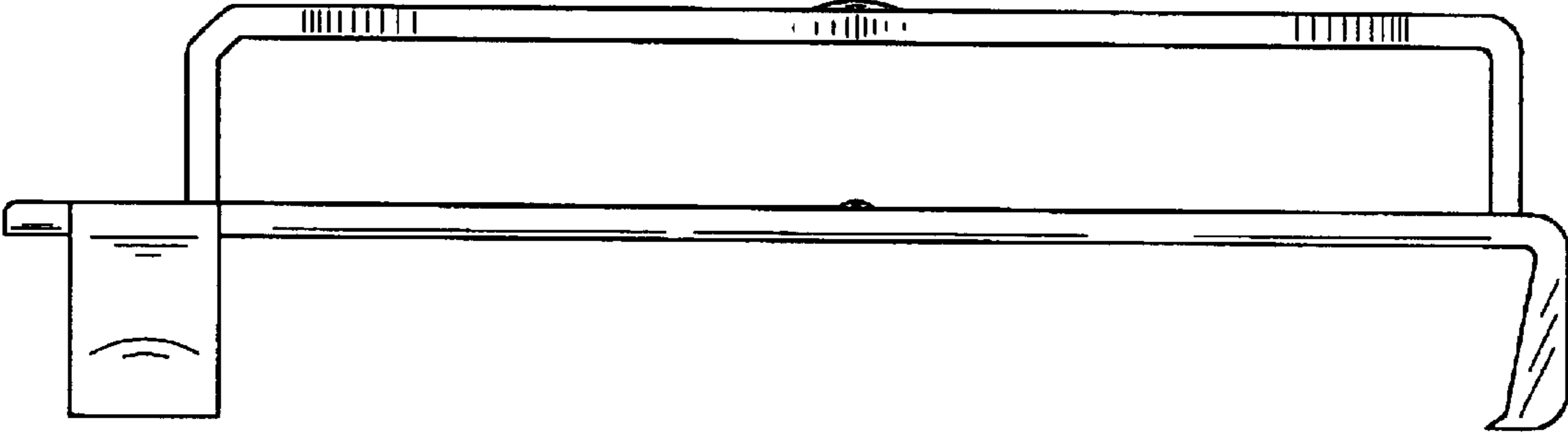


Fig. 3

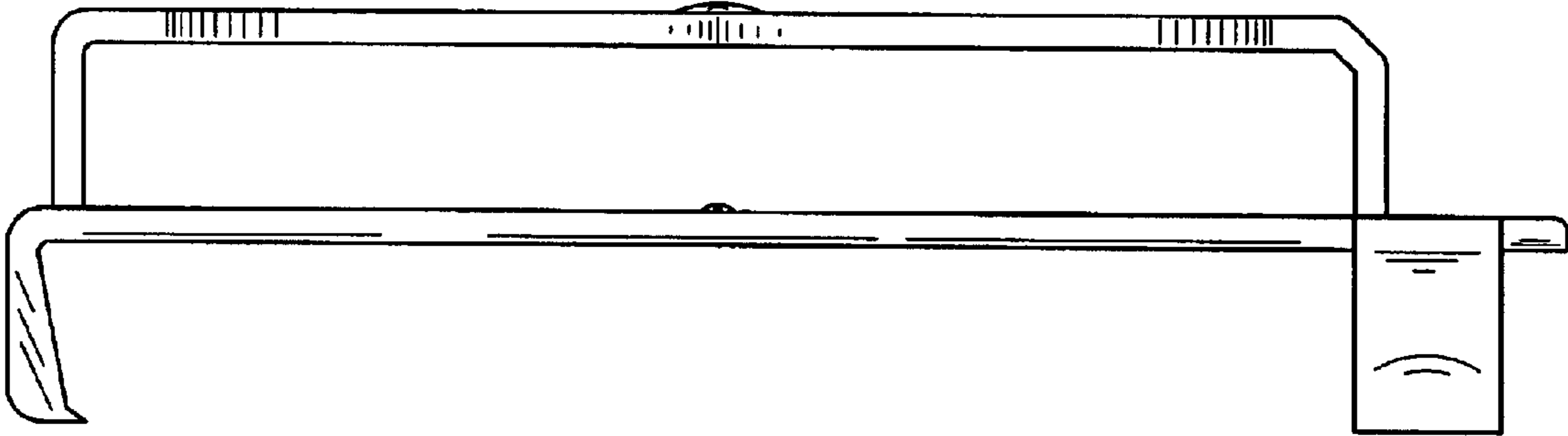


Fig. 4

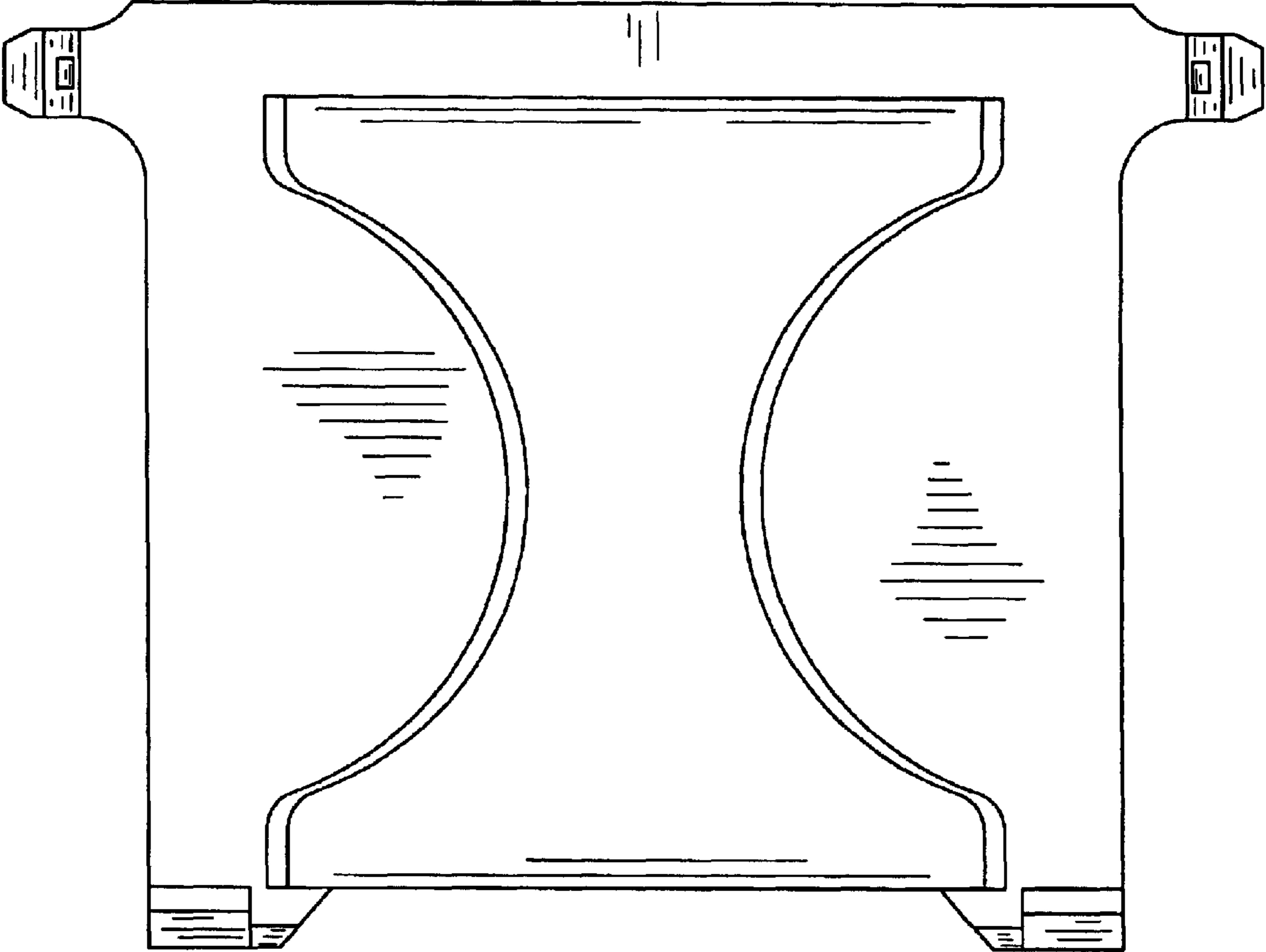


Fig. 5

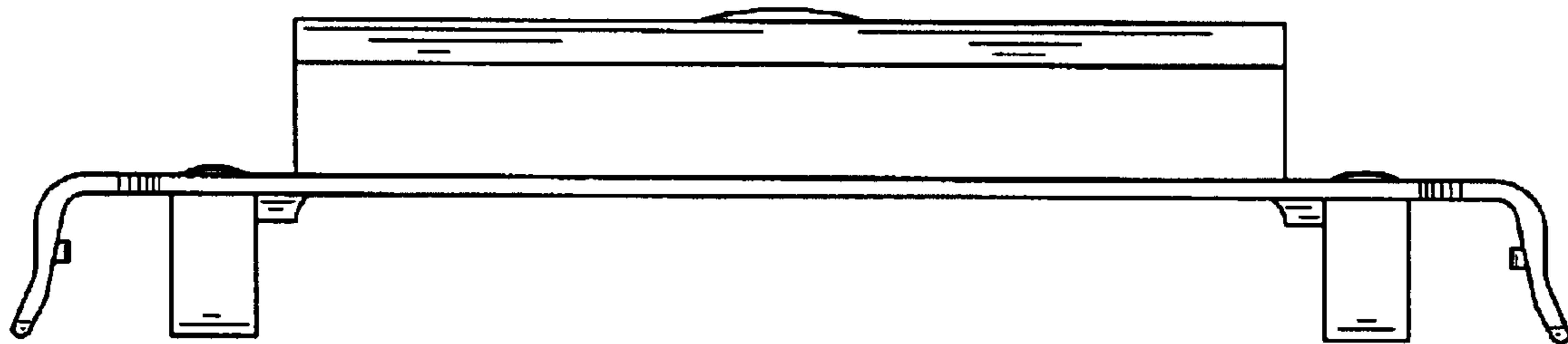


Fig. 6

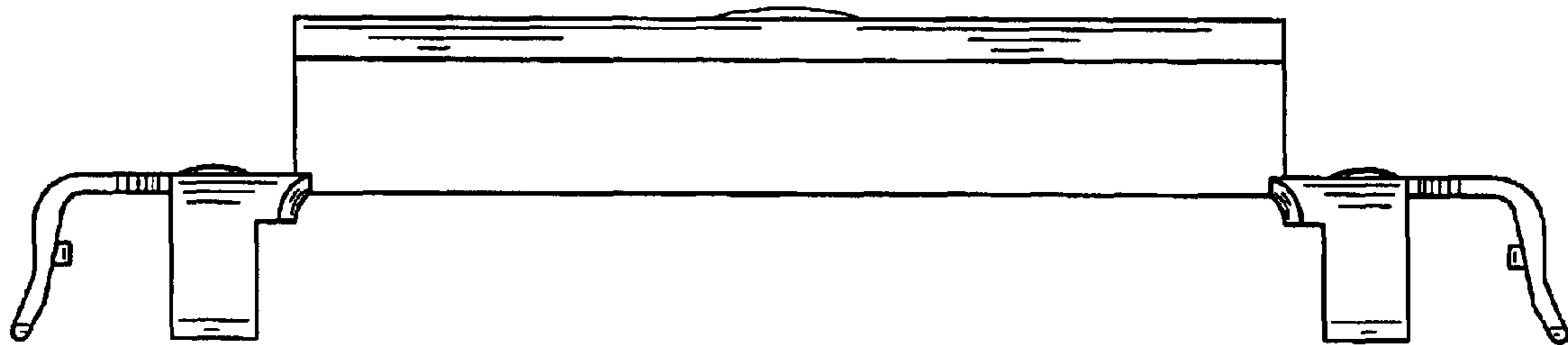


Fig. 7

