

US00D494221S1

(12) **United States Design Patent**
Suzuki

(10) **Patent No.:** **US D494,221 S**

(45) **Date of Patent:** **** Aug. 10, 2004**

(54) **TAPE DISPENSER HAVING A
TRANSPARENT CASING**

D436,625 S * 1/2001 Katami D19/69
D439,616 S * 3/2001 Katami D19/69
D456,450 S * 4/2002 Kimura D19/69

(75) Inventor: **Kazuhiko Suzuki**, Kawasaki (JP)

* cited by examiner

(73) Assignee: **Tombow Pencil Co., Ltd.**, Tokyo (JP)

Primary Examiner—Martie K. Holtje

(**) Term: **14 Years**

(74) *Attorney, Agent, or Firm*—Birch, Stewart, Kolasch & Birch, LLP

(21) Appl. No.: **29/182,085**

(57) **CLAIM**

(22) Filed: **May 21, 2003**

The ornamental design for a tape dispenser having a transparent casing, as shown and described.

(30) **Foreign Application Priority Data**

Nov. 21, 2002 (JP) 2002-032085

DESCRIPTION

(51) **LOC (7) Cl.** **19-02**

FIG. 1 is a front view of the tape dispenser having a transparent casing showing my new design with a head cover in a retracted position for exposing an application head;

(52) **U.S. Cl.** **D19/69; D19/67**

FIG. 2 is a rear view thereof;

(58) **Field of Search** D19/65, 66, 53,

FIG. 3 is a left side view thereof;

D19/89, 67-69, 99, 100; 225/6, 7, 19, 25,

FIG. 4 is a right side view thereof;

34, 45, 56, 65, 66, 89; 242/588, 590, 588.1-588.6;

FIG. 5 is a top view thereof;

156/327, 523, 527, 577

FIG. 6 is a bottom view thereof;

(56) **References Cited**

U.S. PATENT DOCUMENTS

FIG. 7 is a perspective view thereof in a position during use with the head cover in the retracted position for exposing the application head; and,

D355,934 S * 2/1995 Oga et al. D19/69

FIG. 8 is a front view similar to FIG. 1, with the head cover in an advanced position for covering the application head during non-use.

5,430,904 A * 7/1995 Ono et al. 156/577 X

D369,385 S * 4/1996 Lapointe D19/69

5,595,626 A * 1/1997 Yokouchi et al. 156/523 X

D410,494 S * 6/1999 Hoffman D19/67 X

D421,059 S * 2/2000 Shimizu D19/69

D424,116 S * 5/2000 You D19/69

1 Claim, 2 Drawing Sheets

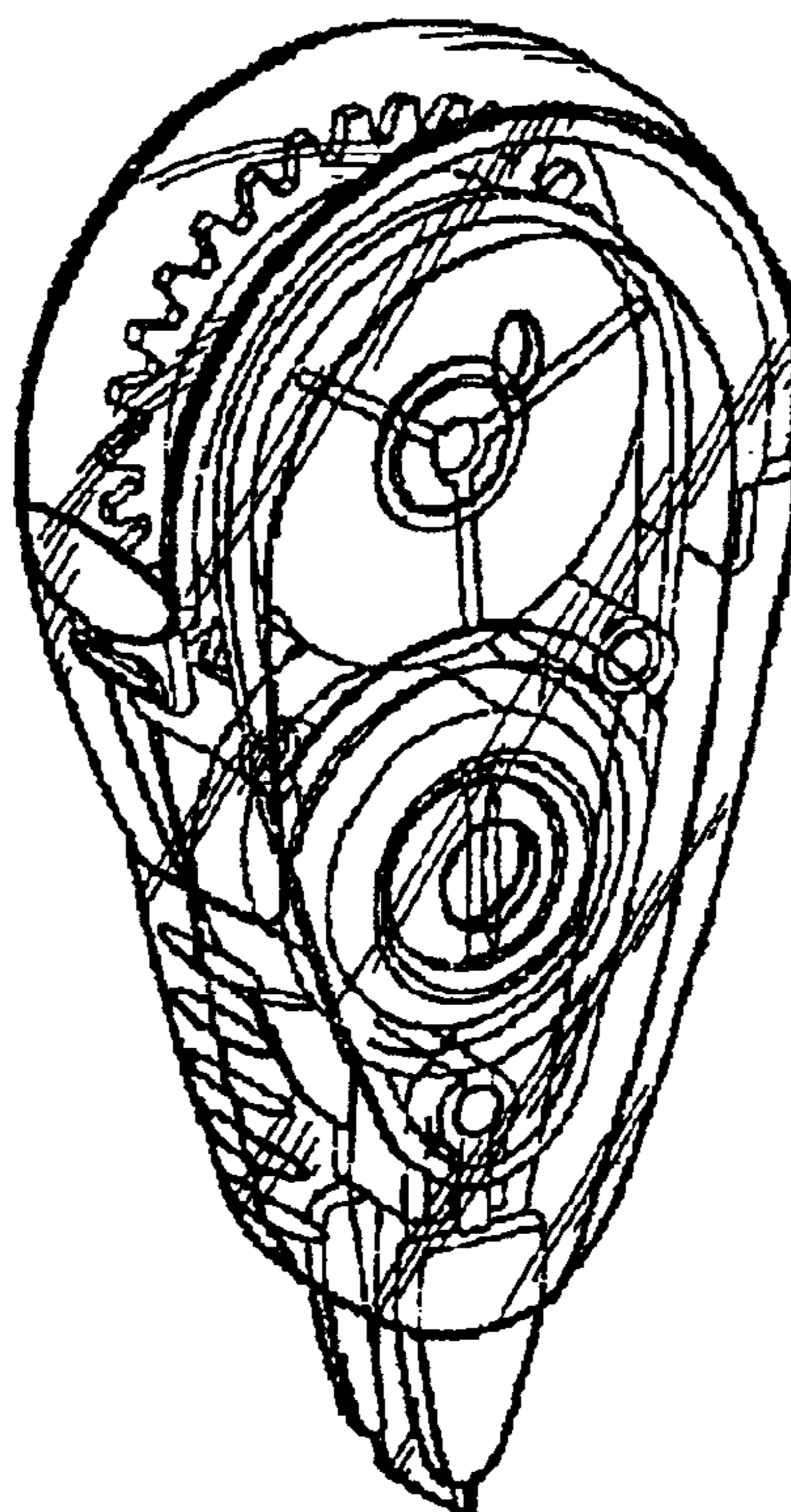


FIG. 5



FIG. 2

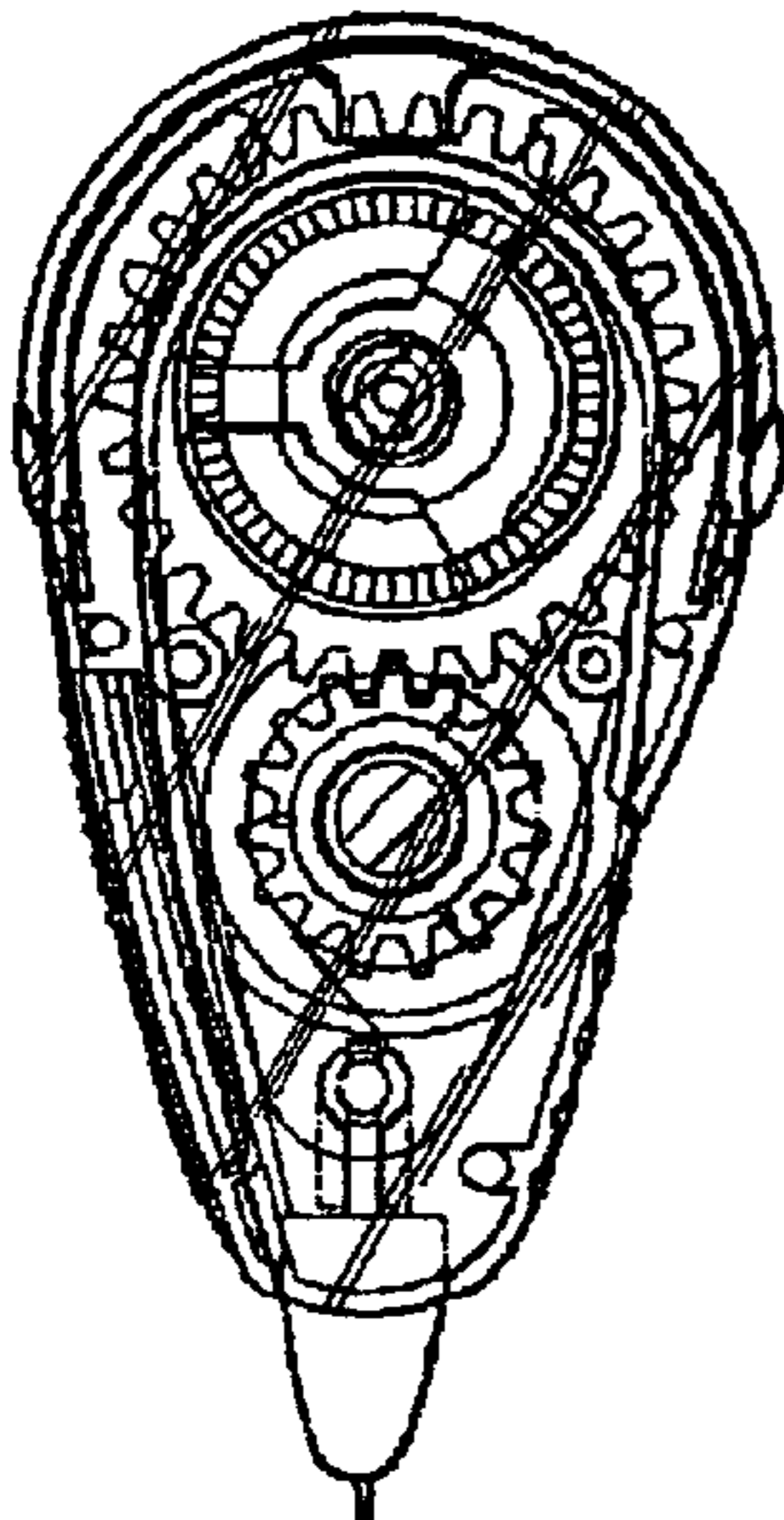


FIG. 3

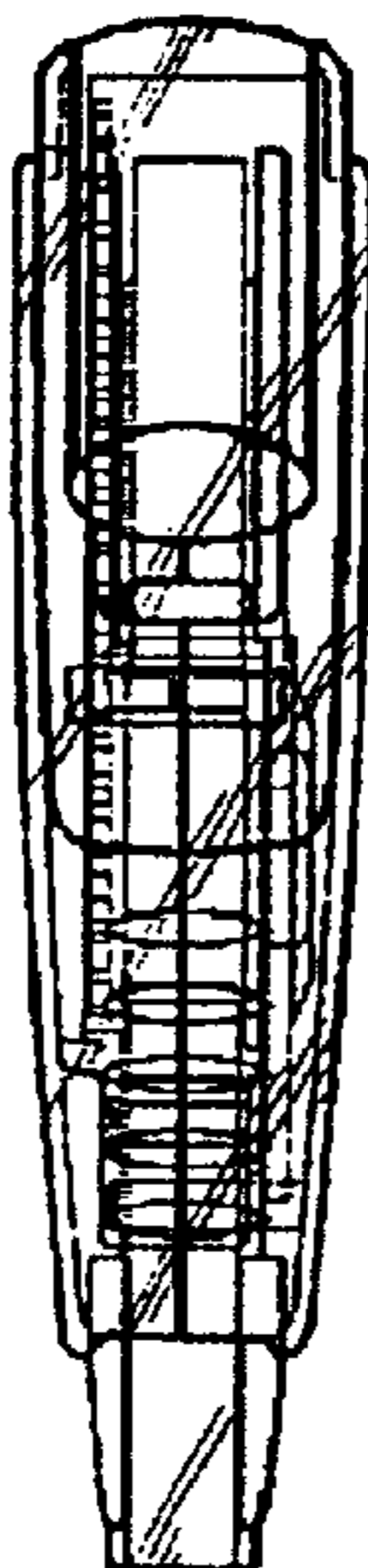


FIG. 1

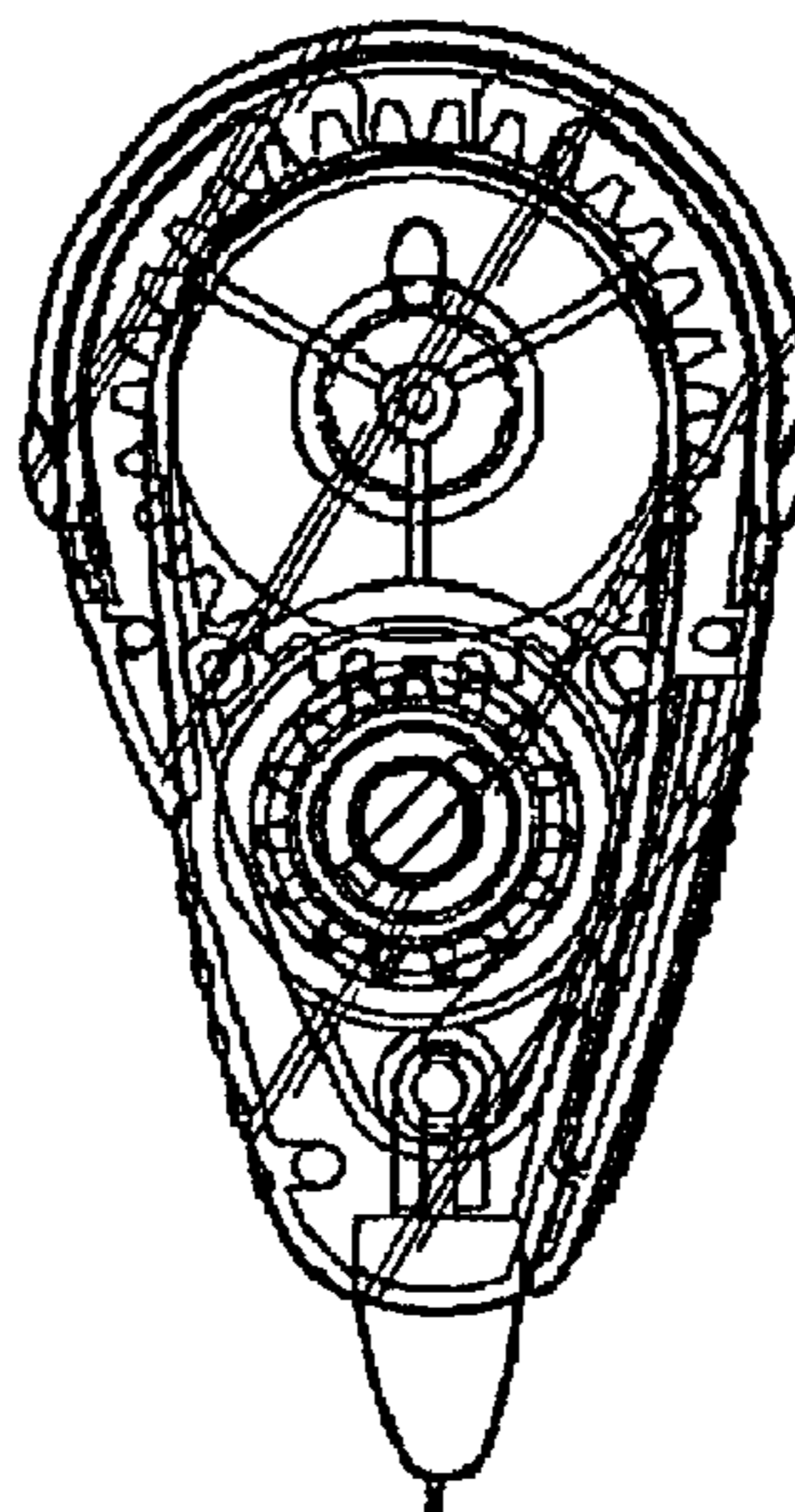


FIG. 4

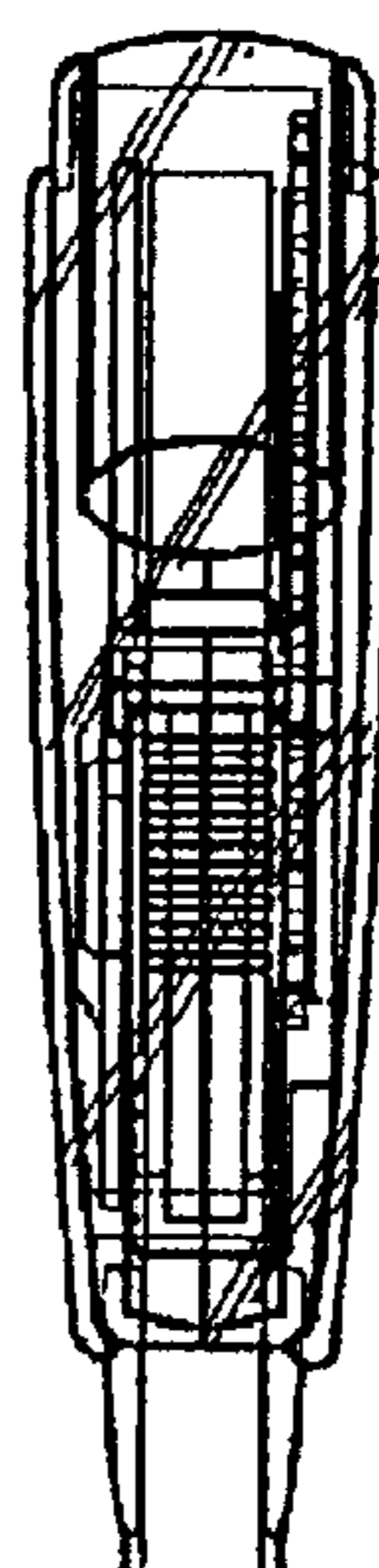


FIG. 6



FIG. 7

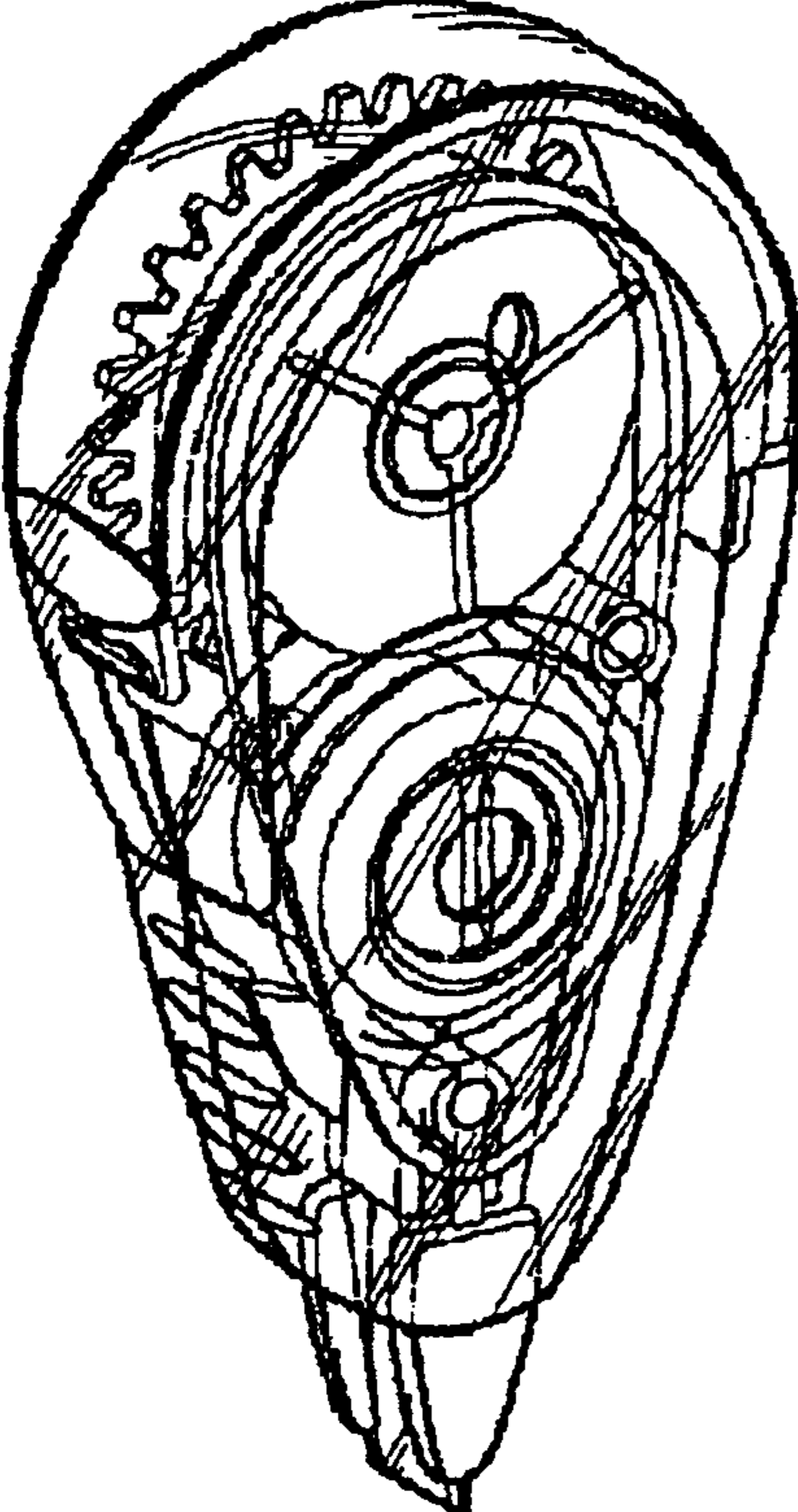


FIG. 8

