



US00D494220S1

(12) **United States Design Patent** (10) **Patent No.:** **US D494,220 S**  
**Yu** (45) **Date of Patent:** **\*\* Aug. 10, 2004**

(54) **PORTABLE COMPUTER SHAPED LEARNING MACHINE**

(75) Inventor: **Kit Yee Yu**, Hong Kong (CN)

(73) Assignee: **Potex Toys Manufacturer Ltd.**, Kwai Chung (HK)

(\*\*) Term: **14 Years**

(21) Appl. No.: **29/190,444**

(22) Filed: **Sep. 19, 2003**

(51) **LOC (7) Cl.** ..... **14-02**

(52) **U.S. Cl.** ..... **D19/60; D14/315; D14/327**

(58) **Field of Search** ..... **D14/315-318, D14/322, 325, 327, 345; D18/1, 2, 7; D19/59, 60; 235/145 A, 145 R; 345/104, 156, 168, 169, 173; 341/22, 23; 361/680-686, 690-696**

(56) **References Cited**

**U.S. PATENT DOCUMENTS**

D308,510 S	*	6/1990	Cheung	.....	D21/329
D310,071 S	*	8/1990	Kit	.....	D14/315
D311,908 S	*	11/1990	Molyneux	.....	D14/345
D330,048 S	*	10/1992	Cheung et al.	.....	D19/60
D358,171 S	*	5/1995	Cheng	.....	D19/60
D428,920 S	*	8/2000	Chan	.....	D14/327

\* cited by examiner

*Primary Examiner*—Freda S. Nunn

(74) *Attorney, Agent, or Firm*—Alix, Yale & Ristas, LLP

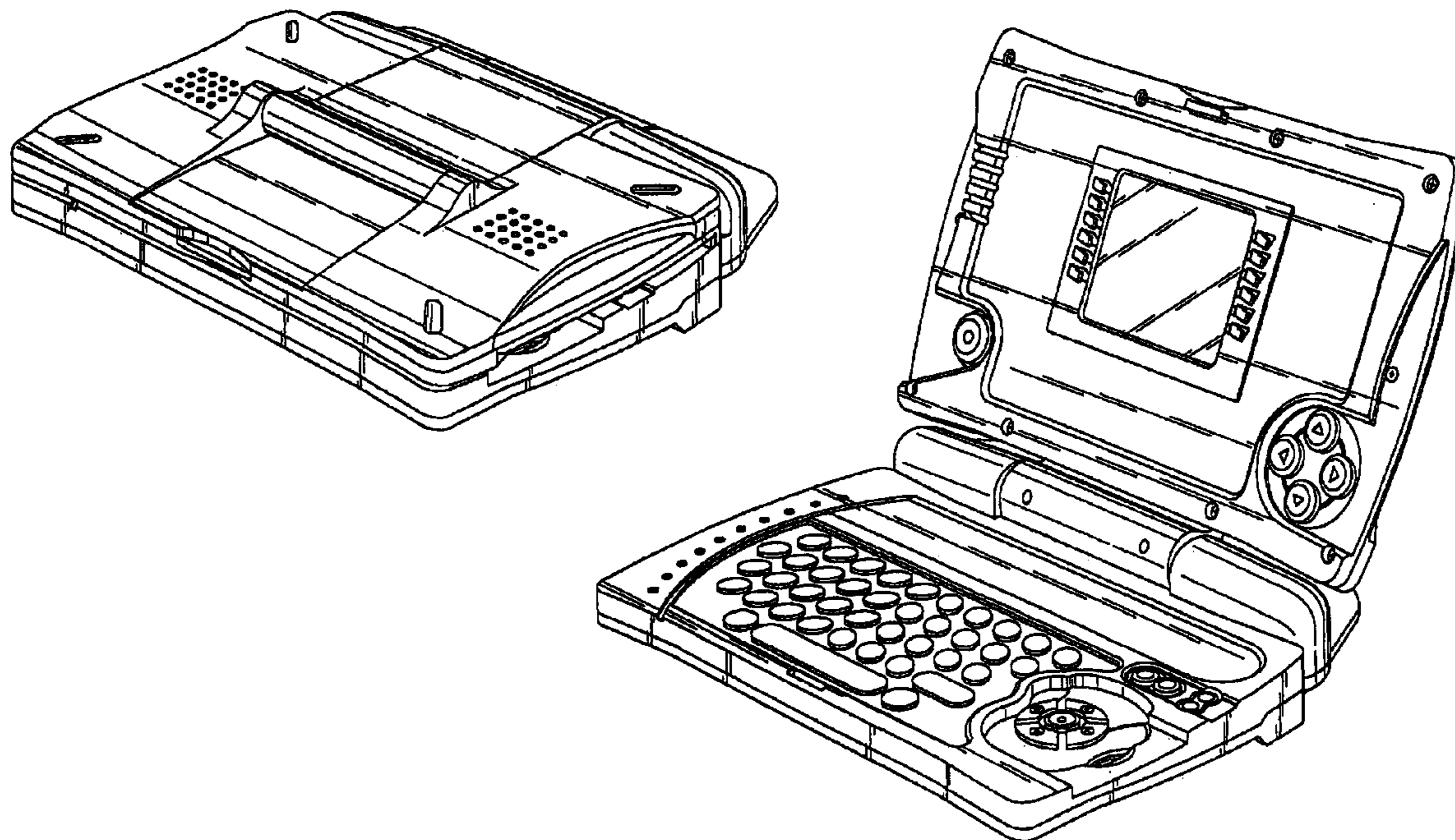
(57) **CLAIM**

The ornamental design for a portable computer shaped learning machine, as shown and described.

**DESCRIPTION**

FIG. 1 is a front perspective view of the portable computer shaped learning machine showing my new design;  
 FIG. 2 is a front view of the portable computer shaped learning machine of FIG. 1;  
 FIG. 3 is a top plan view of the portable computer shaped learning machine of FIG. 1;  
 FIG. 4 is a left side view of the portable computer shaped learning machine of FIG. 1;  
 FIG. 5 is a right side view of the portable computer shaped learning machine of FIG. 1;  
 FIG. 6 is a rear view of the portable computer shaped learning machine of FIG. 1;  
 FIG. 7 is a bottom plan view of the portable computer shaped learning machine of FIG. 1; and,  
 FIG. 8 is a front perspective view of the portable computer shaped learning machine of FIG. 1 viewed in an opened position.

**1 Claim, 5 Drawing Sheets**



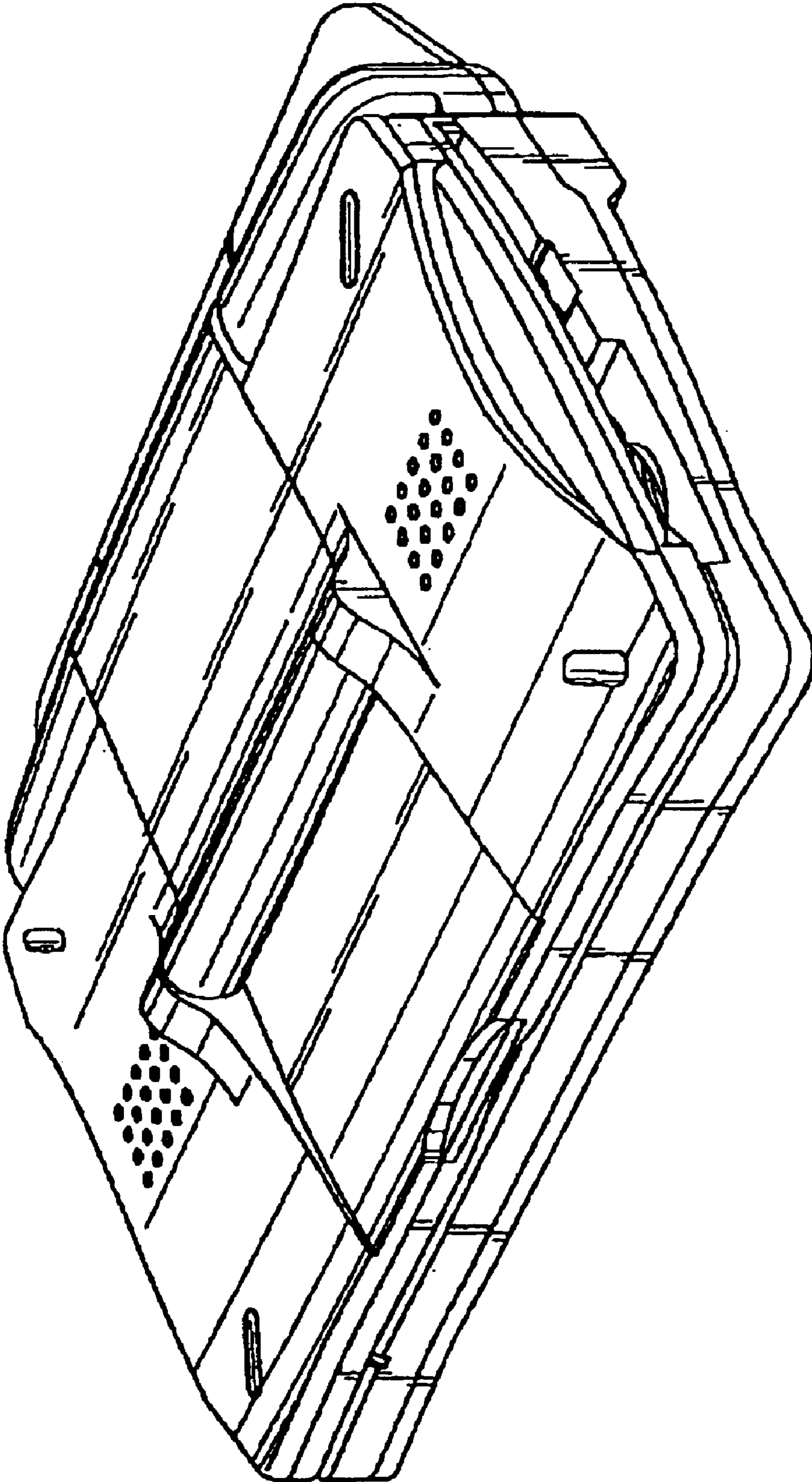


FIG. 1

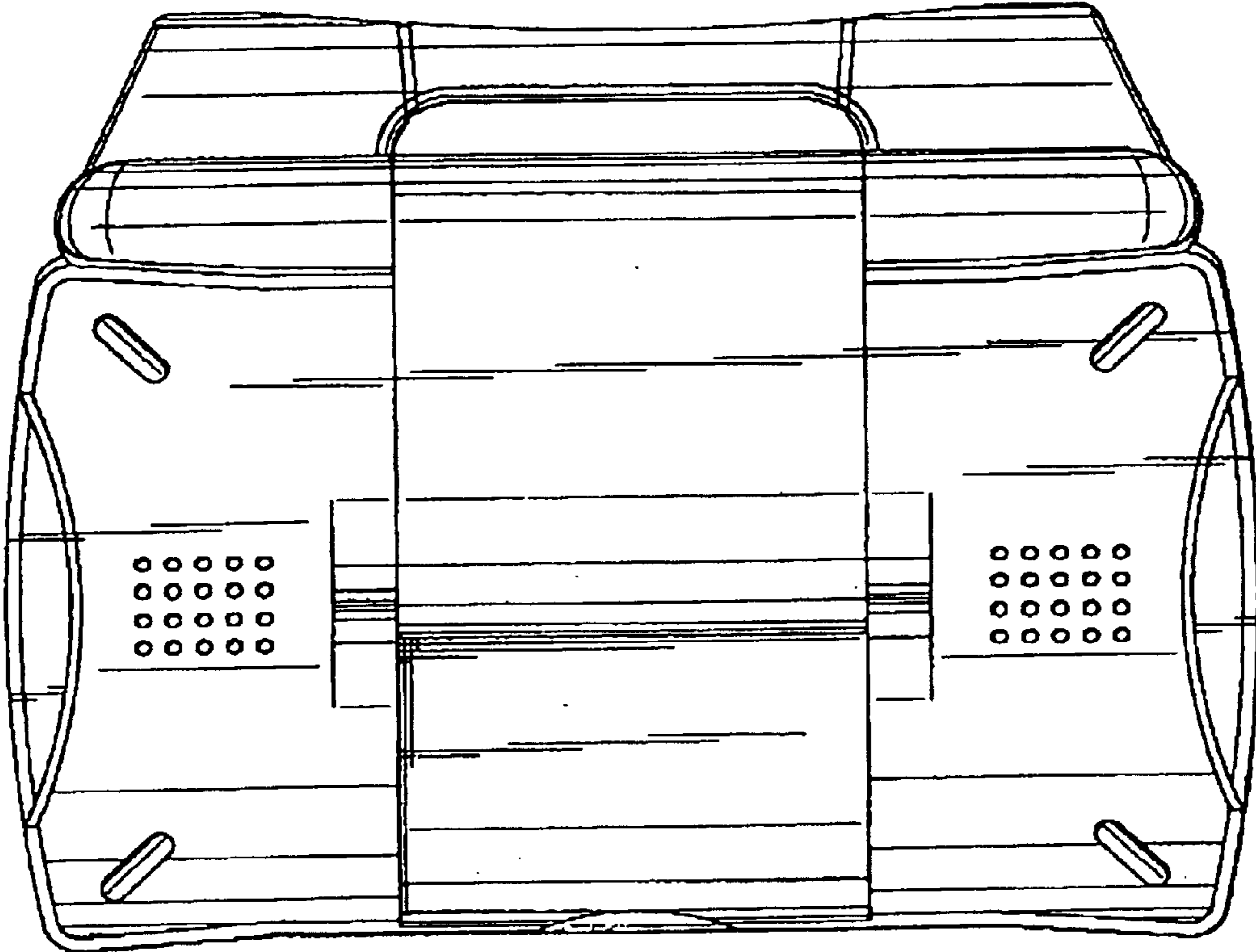


FIG. 3

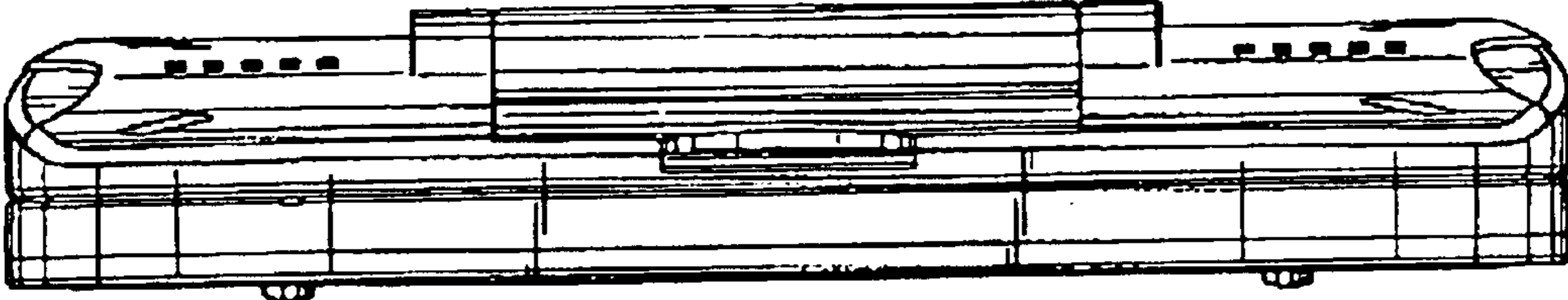


FIG. 2

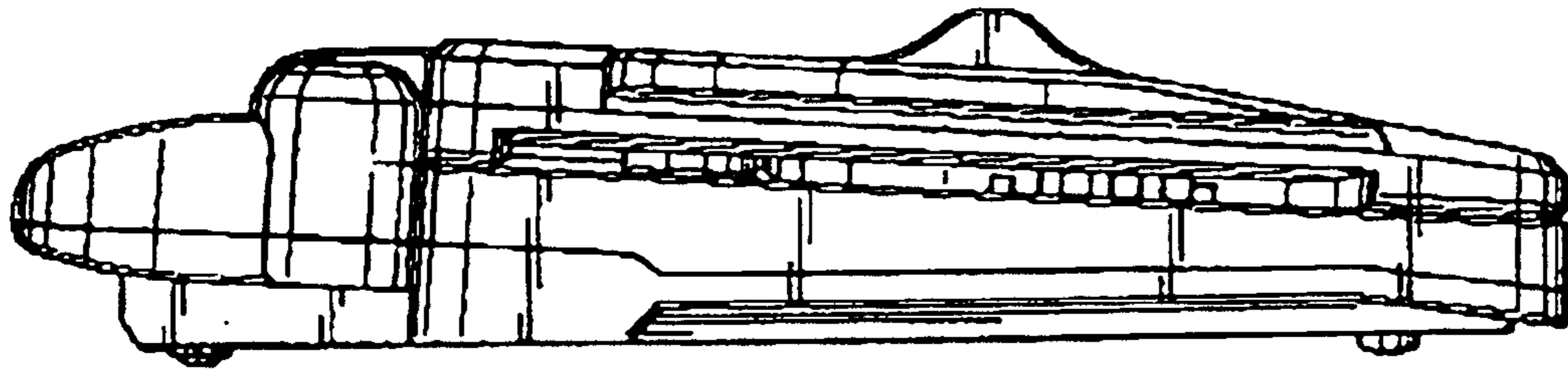


FIG. 4

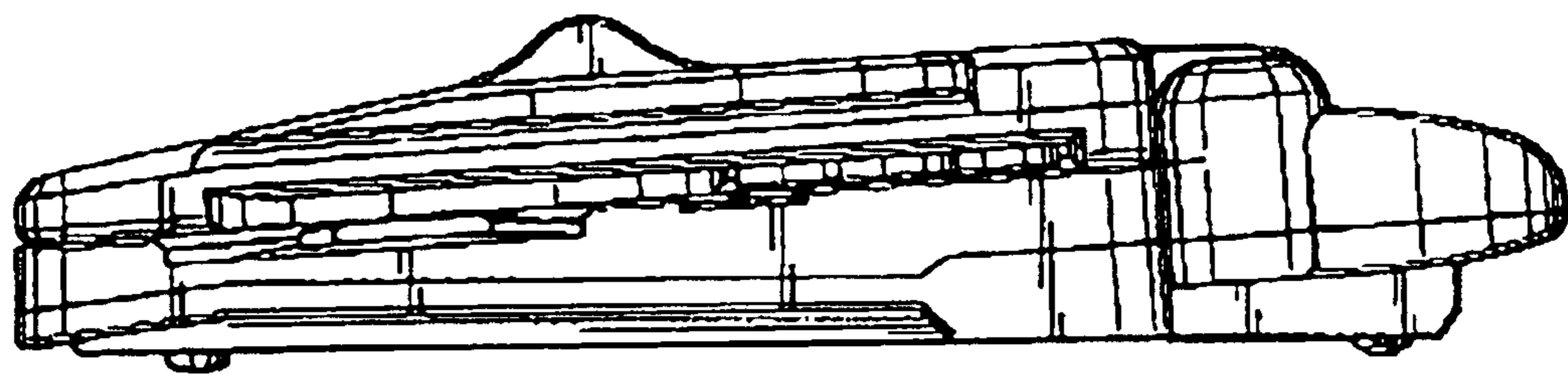


FIG. 5

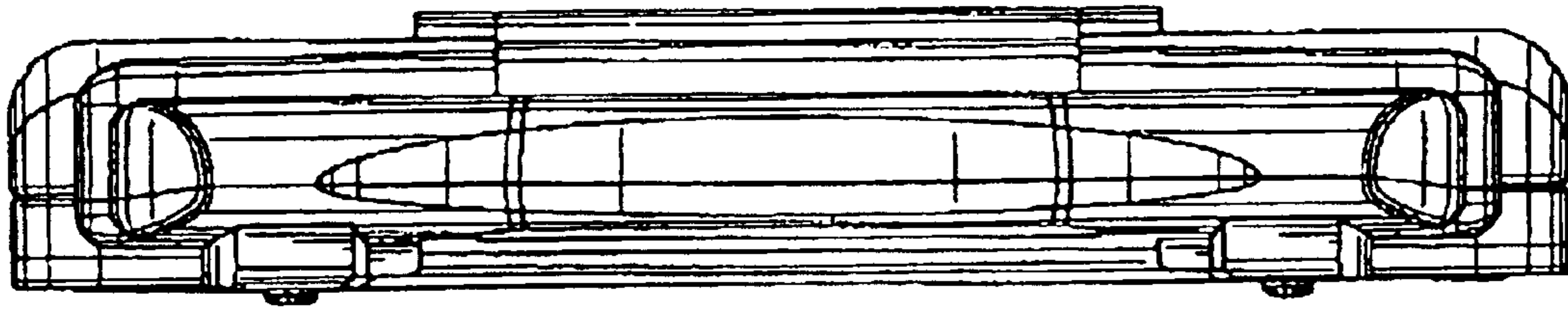


FIG. 6

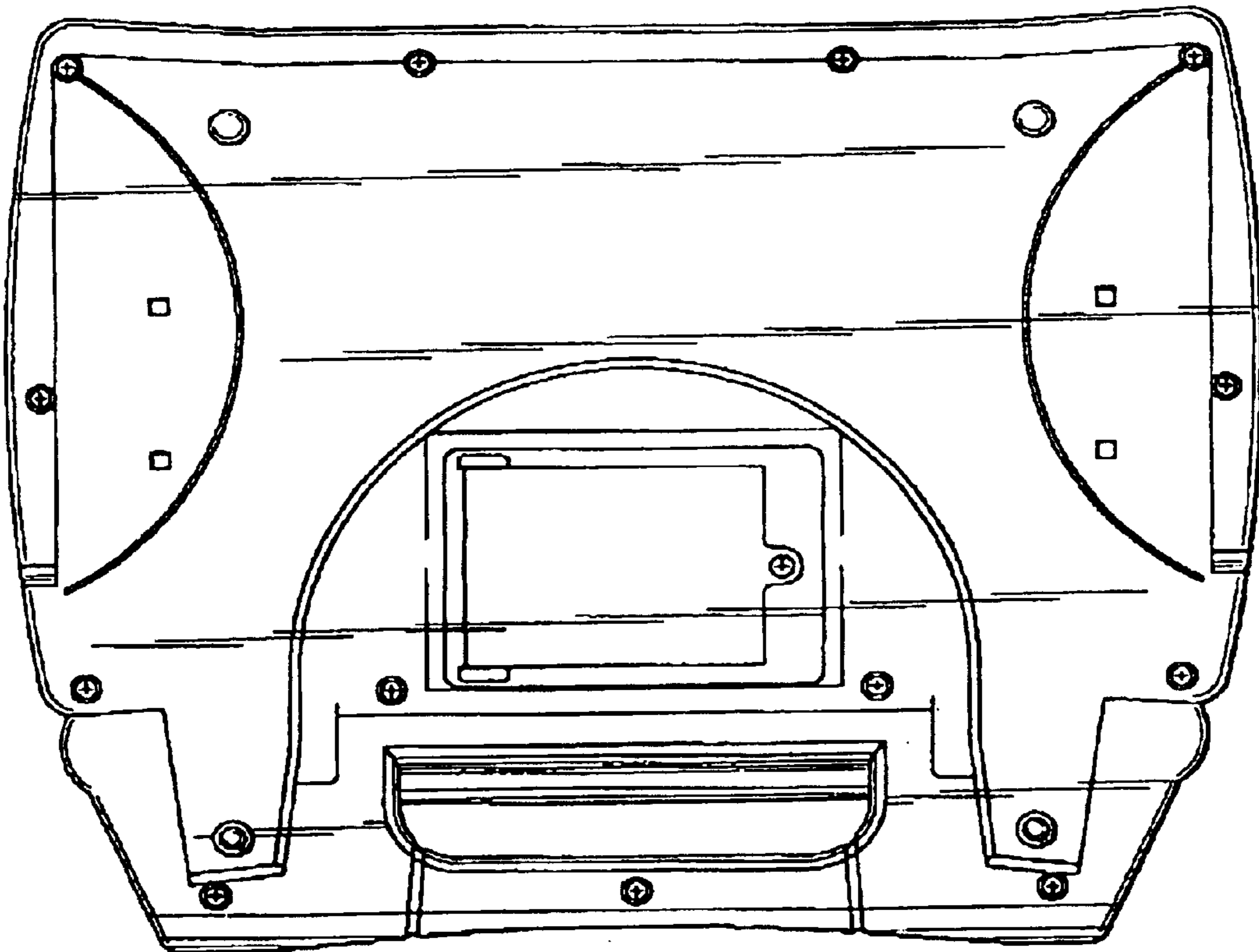


FIG. 7

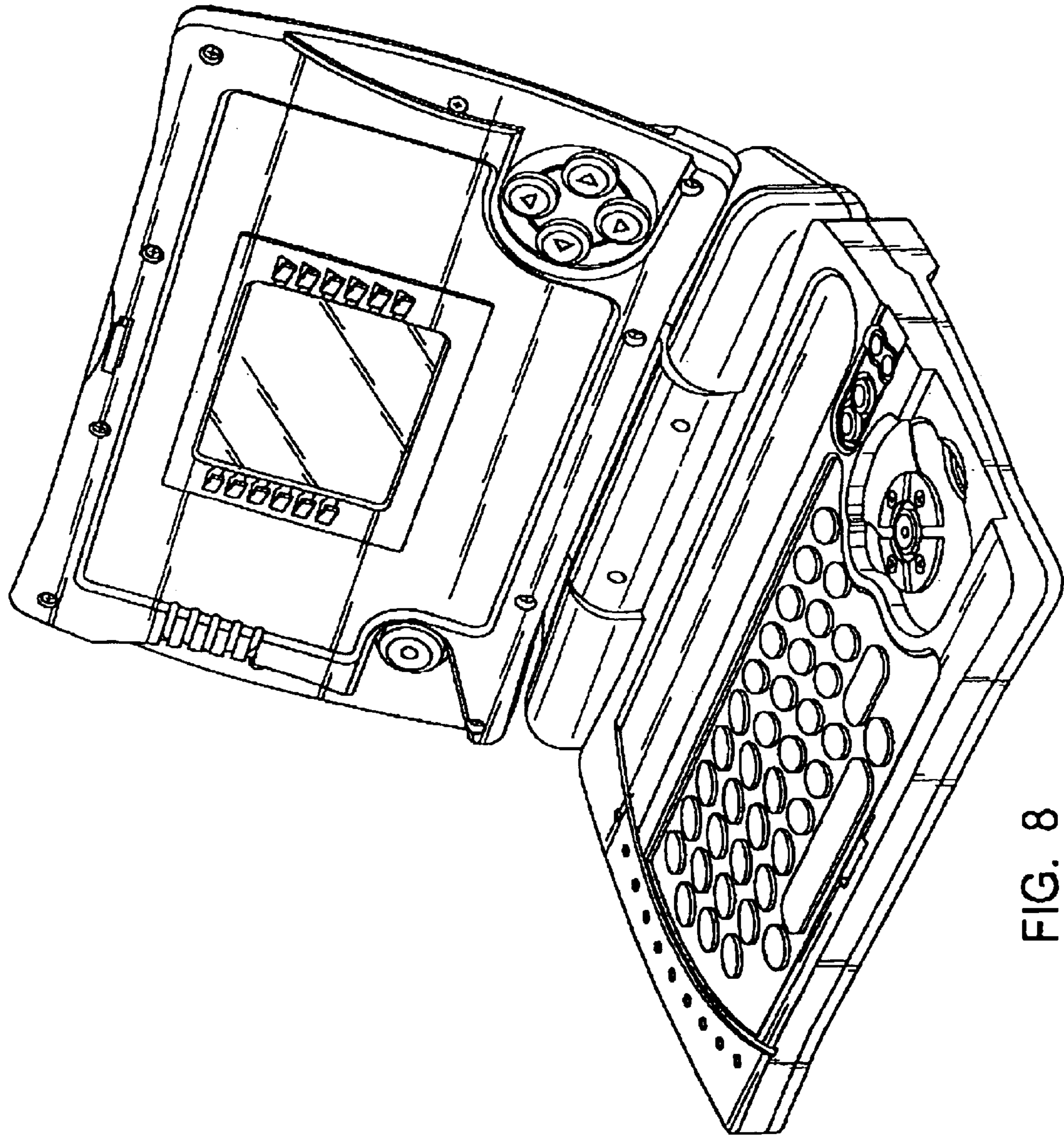


FIG. 8