

US00D494218S1

(12) **United States Design Patent**
Anand

(10) **Patent No.:** **US D494,218 S**
(45) **Date of Patent:** **** Aug. 10, 2004**

(54) **RETRACTABLE PEN**

(75) Inventor: **Devendra S. Anand**, Mumbai (IN)

(73) Assignee: **Anand International (IN)**

(**) Term: **14 Years**

(21) Appl. No.: **29/194,169**

(22) Filed: **Nov. 20, 2003**

(51) **LOC (7) Cl.** **19-06**

(52) **U.S. Cl.** **D19/51; D19/56**

(58) **Field of Search** D19/35, 36, 41-51,
D19/53-58, 81-85; 401/99, 100-102, 103-106,
107-110, 111-117, 209

(56) **References Cited**

U.S. PATENT DOCUMENTS

D182,162 S	*	2/1958	Carreiro	D19/51
D213,739 S	*	4/1969	Konwiser	D19/51
D258,069 S	*	1/1981	Malamoud	D19/48
D319,845 S	*	9/1991	Grotsch et al.	D19/48
D330,911 S	*	11/1992	Tu	D19/51
D339,378 S	*	9/1993	Verhaegue	D19/51
D357,277 S	*	4/1995	Cappe de Baillon	D19/51
D367,887 S	*	3/1996	Compte	D19/51

D475,741 S * 6/2003 Cetera D19/51
D485,574 S * 1/2004 Keil D19/50

* cited by examiner

Primary Examiner—Martie K. Holtje

(74) *Attorney, Agent, or Firm*—St. Onge Steward Johnston & Reens LLC

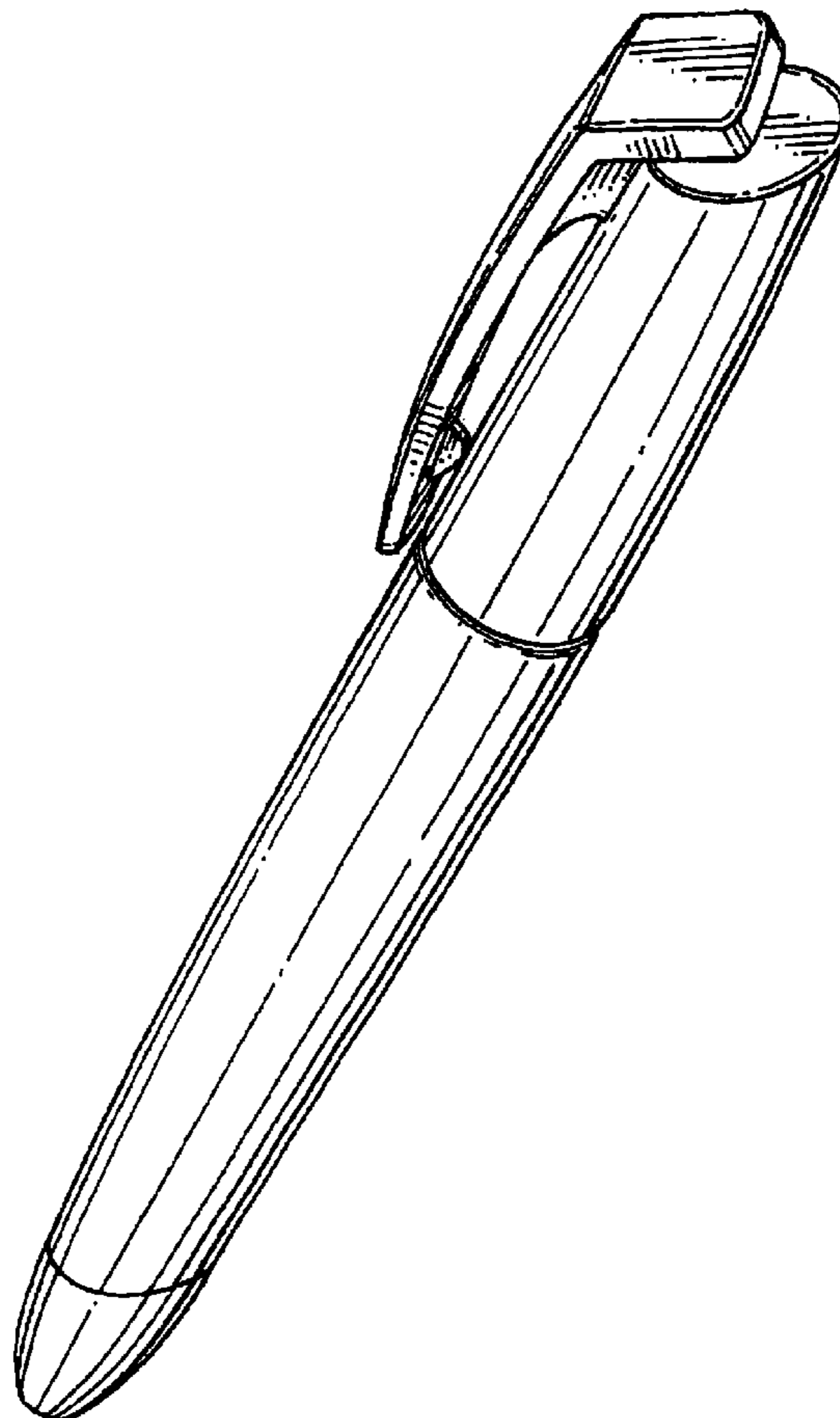
(57) **CLAIM**

The ornamental design for a retractable pen, as shown and described.

DESCRIPTION

FIG. 1 is a front perspective view of a retractable pen in accordance with the new design;
FIG. 2 is a front elevational view of the retractable pen of FIG. 1;
FIG. 3 is a side elevational view of the retractable pen of FIG. 1;
FIG. 4 is a rear elevational view of the retractable pen of FIG. 1;
FIG. 5 is a top plan view of the retractable pen of FIG. 1; and,
FIG. 6 is a bottom plan view of the retractable pen of FIG. 1.

1 Claim, 2 Drawing Sheets



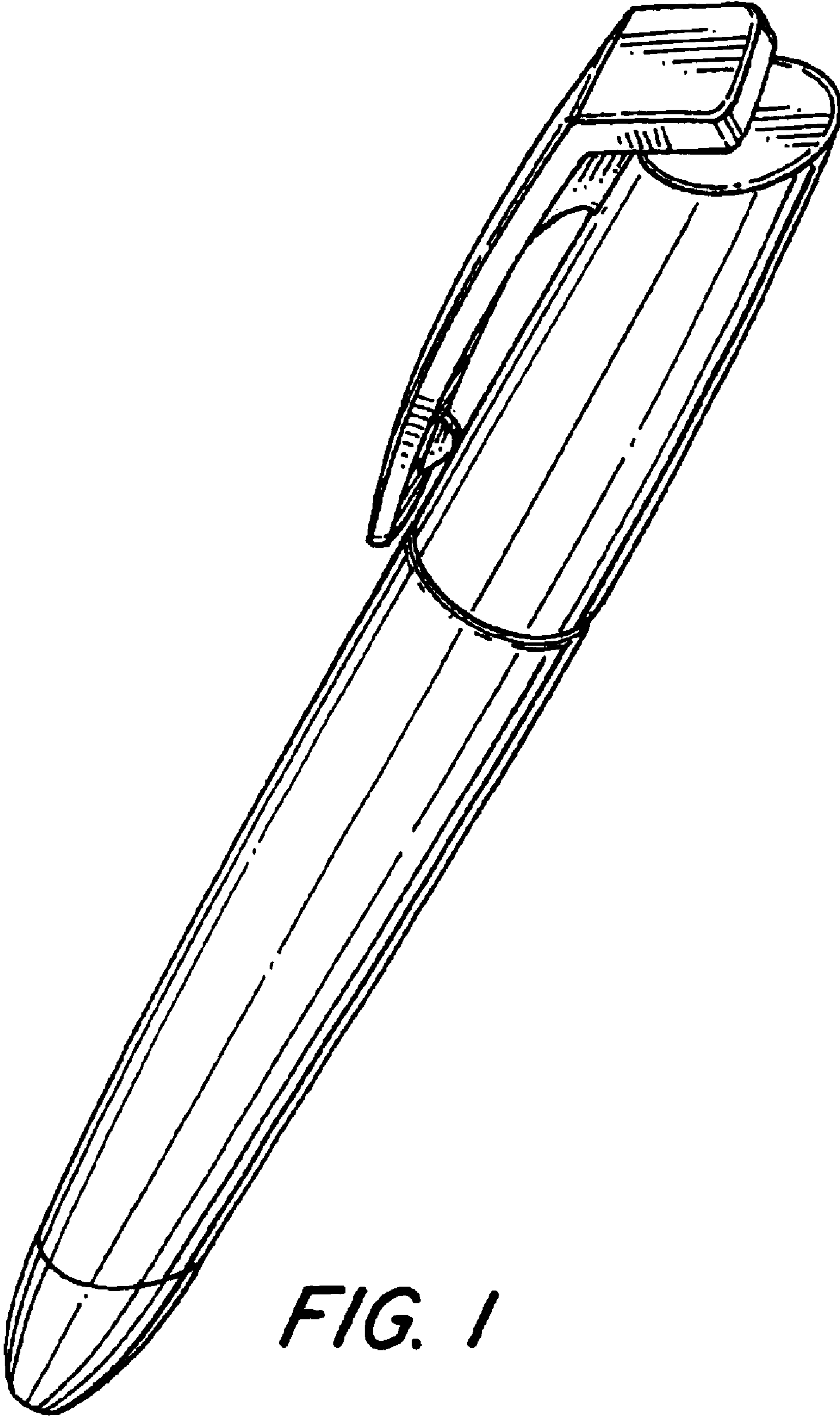


FIG. 1

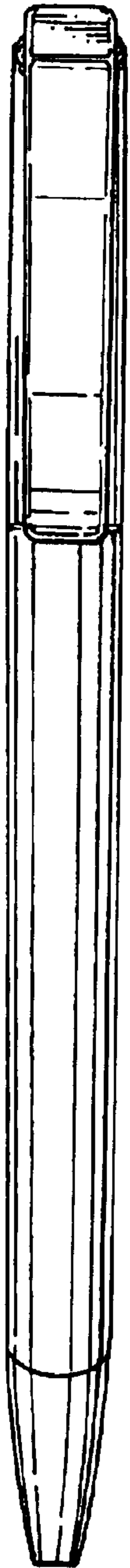


FIG. 2

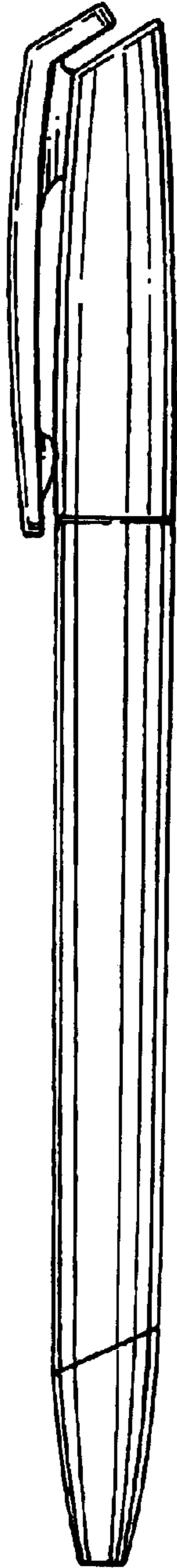


FIG. 3



FIG. 4



FIG. 5

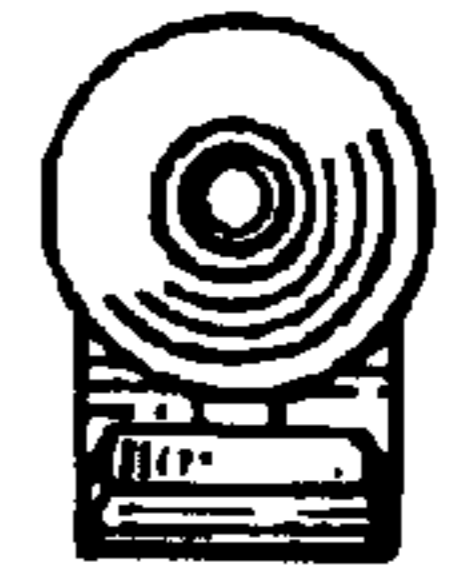


FIG. 6