

US00D494214S1

(12) **United States Design Patent**
Suzuki

(10) **Patent No.:** **US D494,214 S**

(45) **Date of Patent:** **** Aug. 10, 2004**

(54) **PRINTER WITH COPYING AND FACSIMILE FUNCTIONS**

D406,161 S * 2/1999 Yoshida et al. D18/36
D410,675 S * 6/1999 Ohashi D18/36
D478,619 S * 8/2003 Agata et al. D18/55

(75) Inventor: **Yuto Suzuki, Anjyo (JP)**

* cited by examiner

(73) Assignee: **Brother Industries, Ltd., Nagoya (JP)**

Primary Examiner—Cathy Anne MacCormac

(**) Term: **14 Years**

(74) *Attorney, Agent, or Firm*—Oliff & Berridge PLC

(21) Appl. No.: **29/178,317**

(57) **CLAIM**

(22) Filed: **Mar. 26, 2003**

The ornamental design for a printer with copying and facsimile functions, as shown and described.

(30) **Foreign Application Priority Data**

DESCRIPTION

Dec. 13, 2002 (JP) 2002-034767

FIG. 1 is a perspective view of a printer with copying and facsimile functions;

(51) **LOC (7) Cl.** **14-02**

FIG. 2 is a front view thereof;

(52) **U.S. Cl.** **D18/50**

FIG. 3 is a rear view thereof;

(58) **Field of Search** D18/36–39, 50,
D18/53–55, 54.1; D14/462–470, 420–425,
349, 496; 355/78; 400/613, 613.1–613.4,
690.1–690.4, 691–694; D7/501, 397

FIG. 4 is a right side view thereof;

FIG. 5 is a left side view thereof;

FIG. 6 is a bottom view thereof;

FIG. 7 is another perspective view showing the top of the printer rotated 45°; and,

FIG. 8 is another perspective view showing the top of the printer rotated 180°.

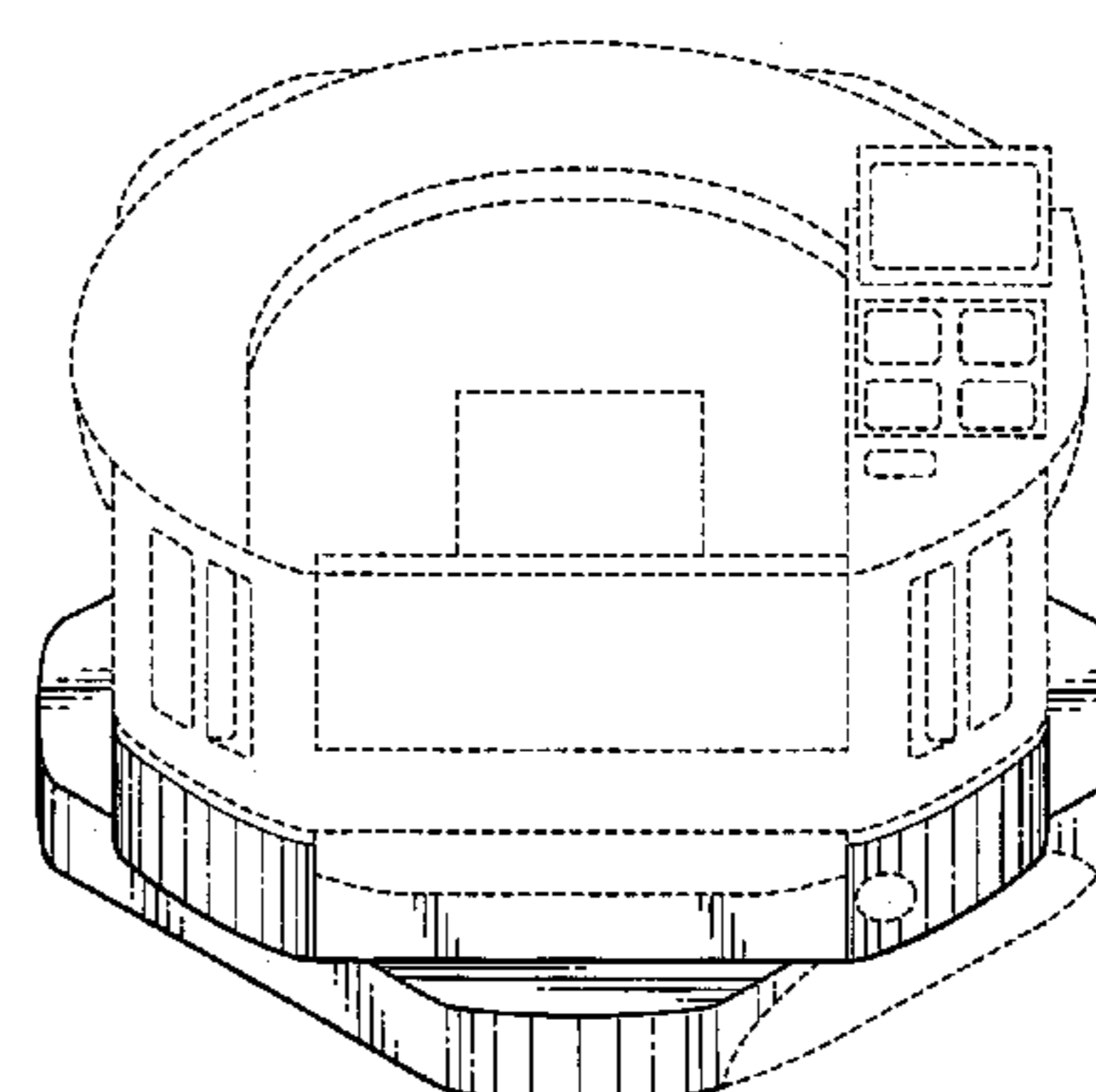
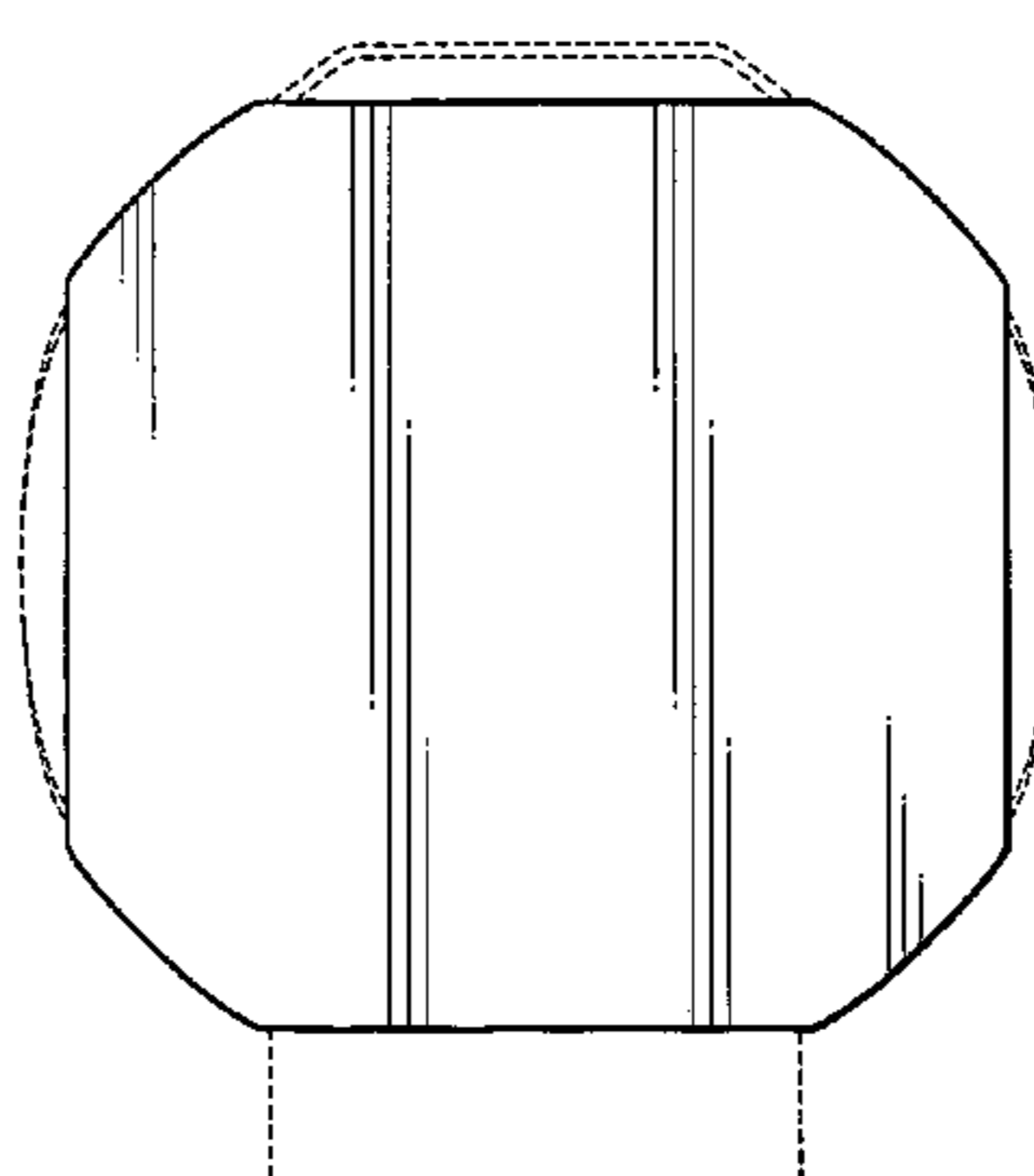
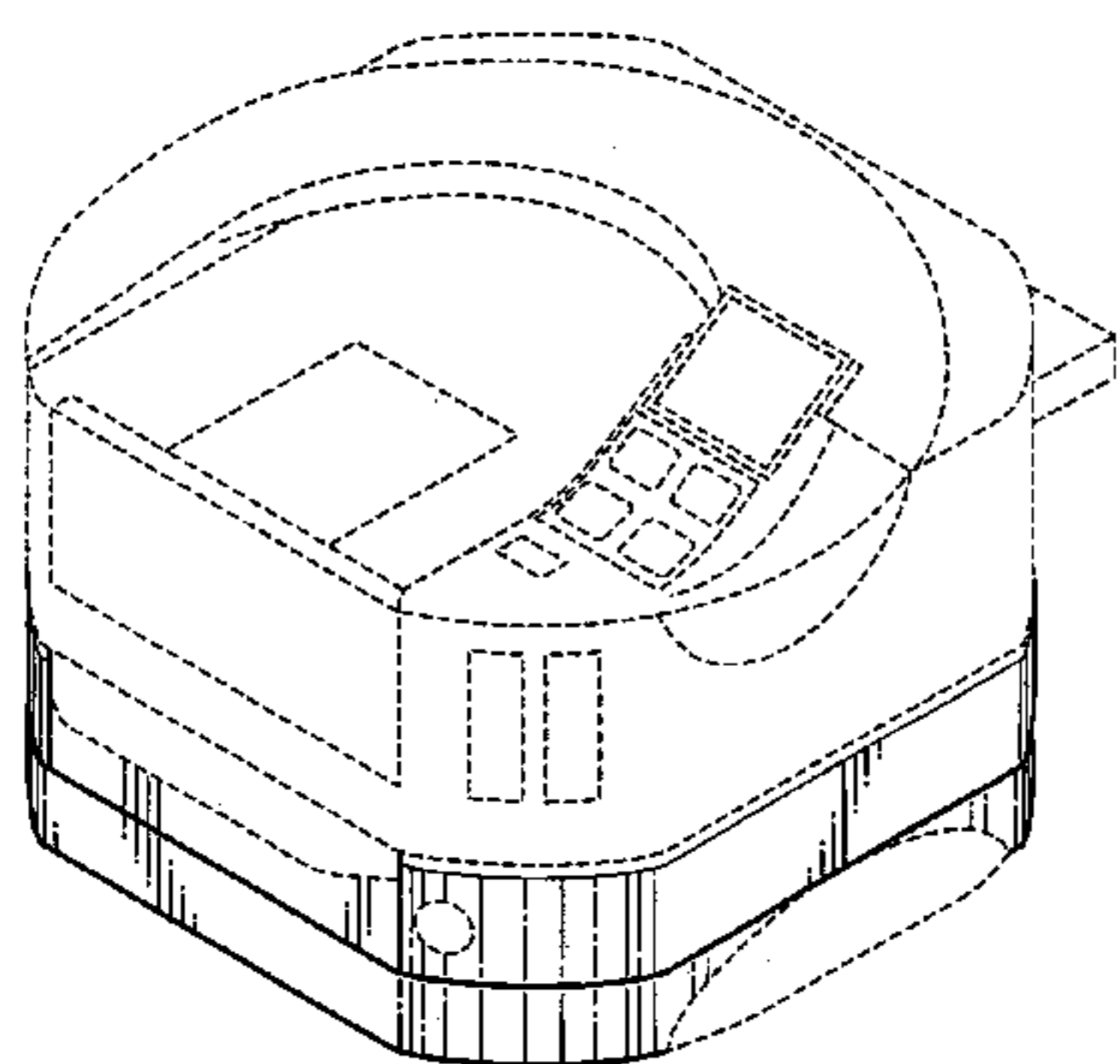
(56) **References Cited**

The broken line showing defines the bounds of the claimed design but does not form part of the claimed design.

U.S. PATENT DOCUMENTS

D307,299 S * 4/1990 Hara et al. D18/38
D348,078 S * 6/1994 Stewart et al. D18/55
D374,454 S * 10/1996 Naruki et al. D18/36

1 Claim, 6 Drawing Sheets



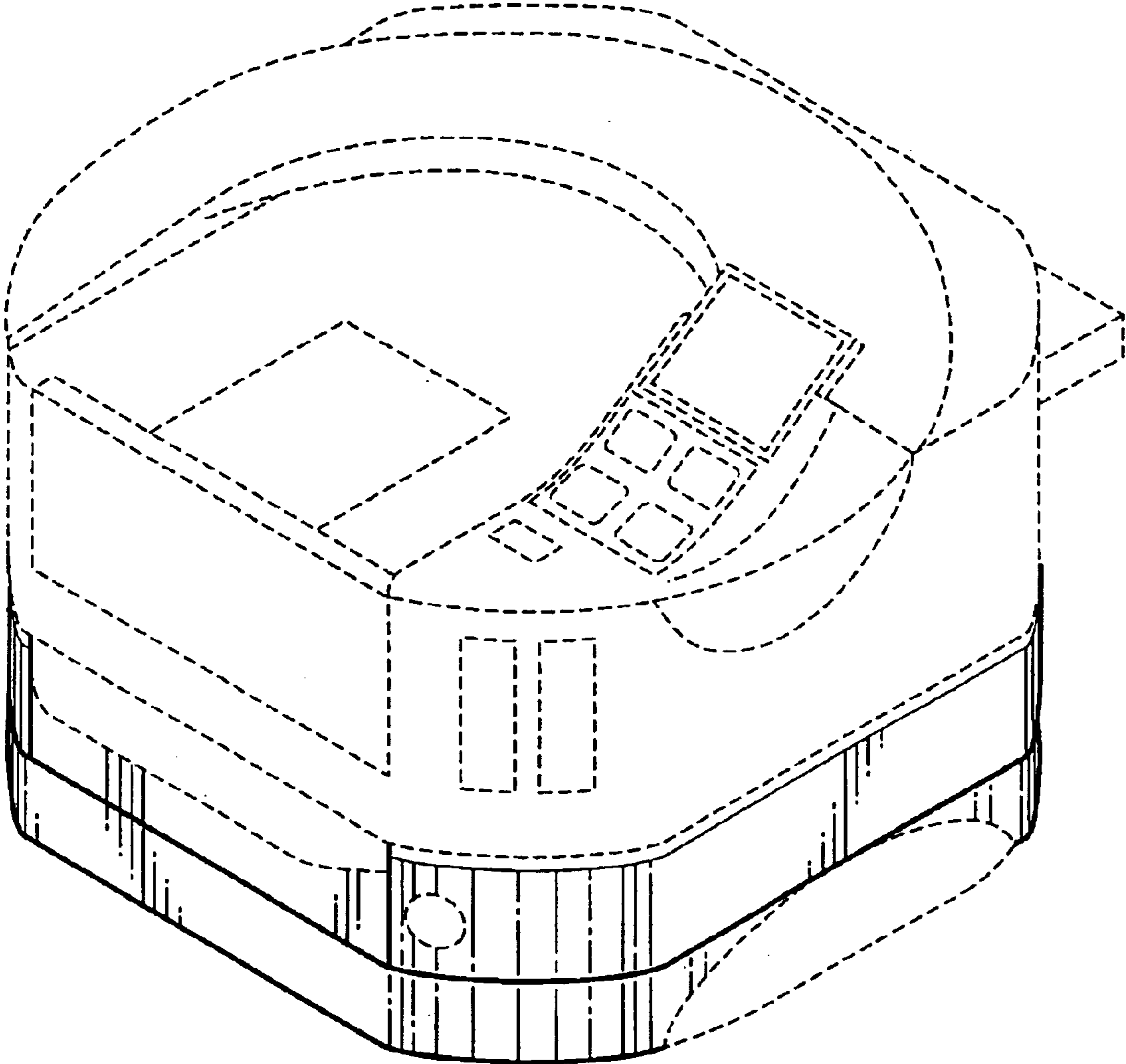


FIG. 1

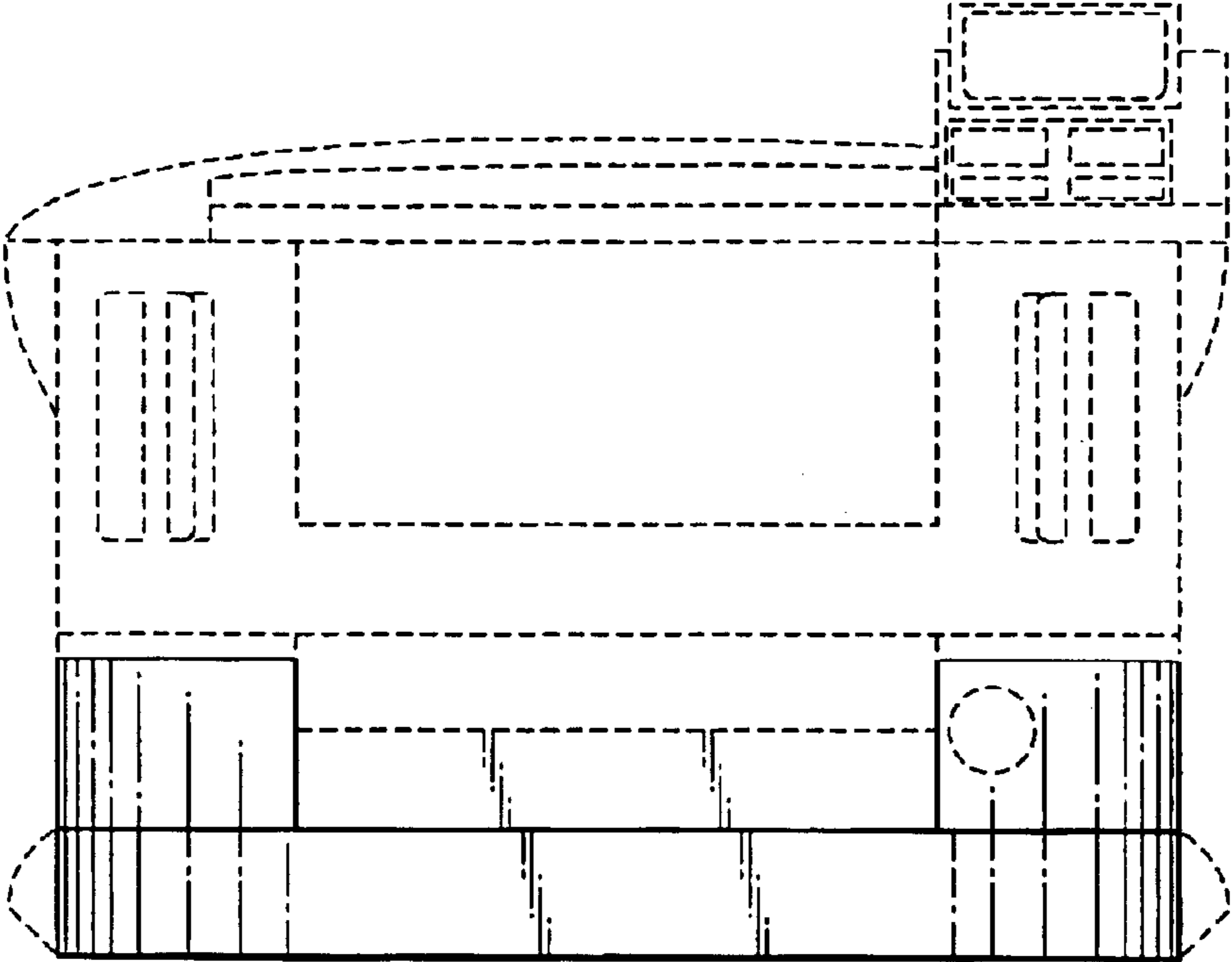


FIG. 2

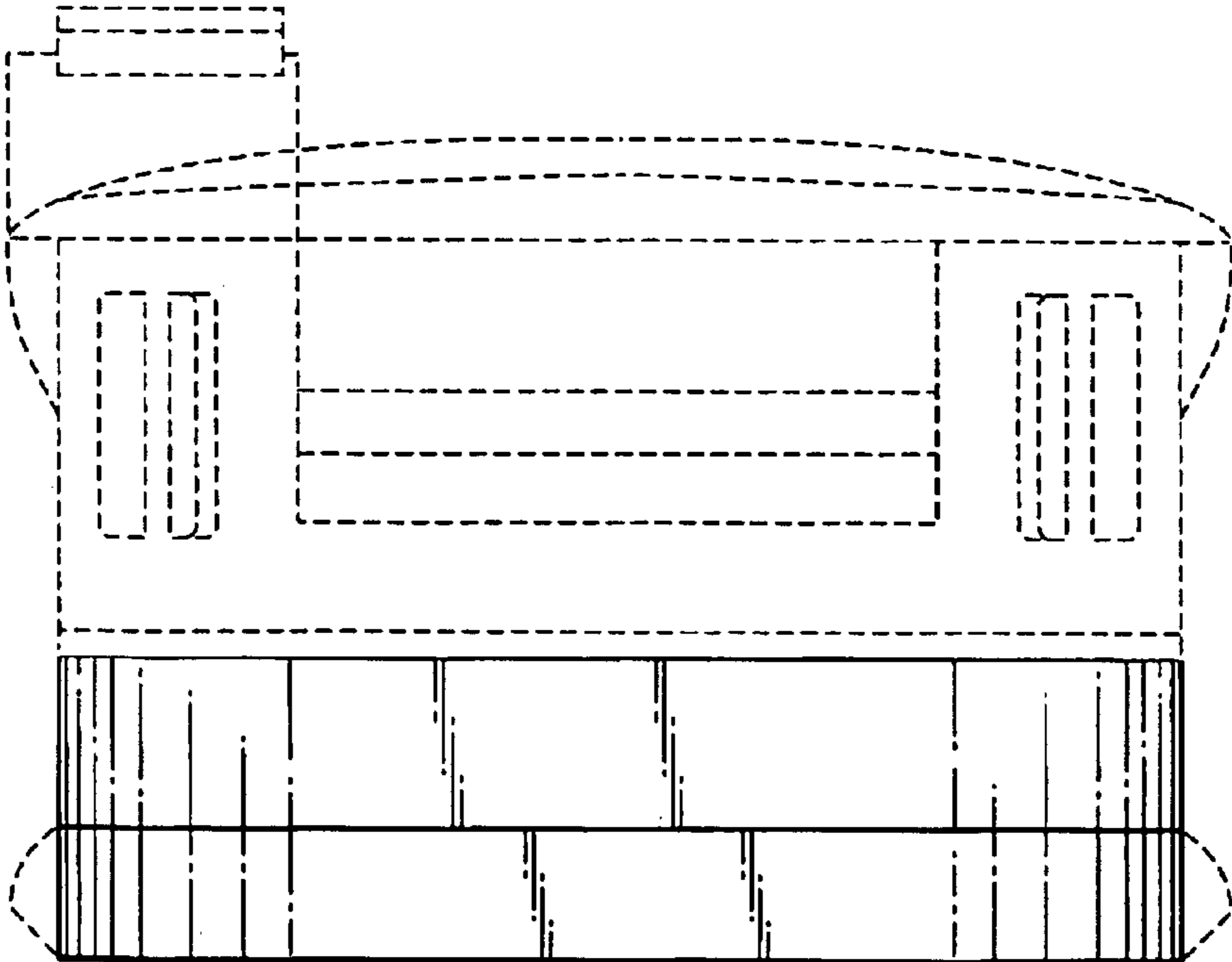


FIG. 3

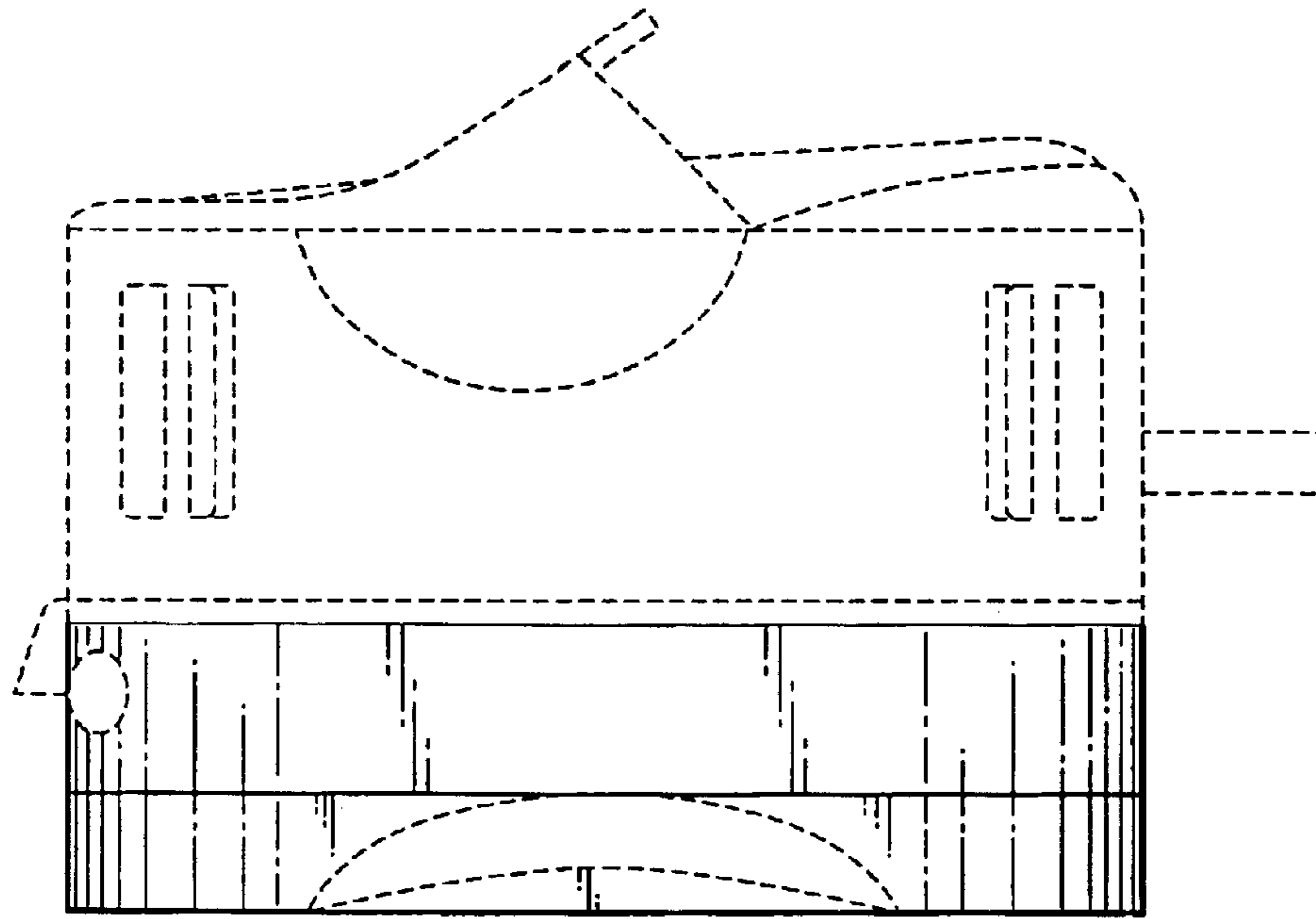


FIG. 4

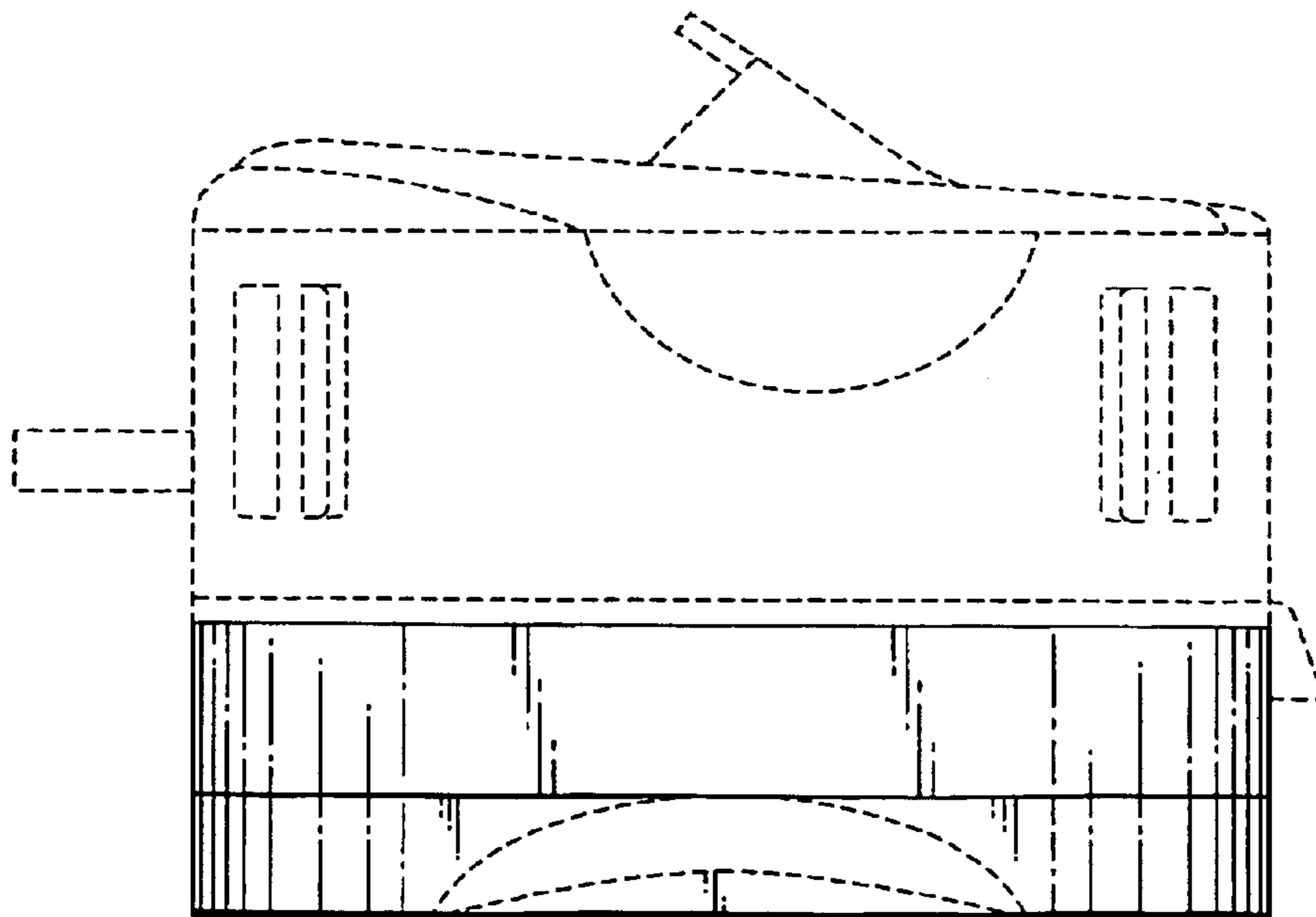


FIG. 5

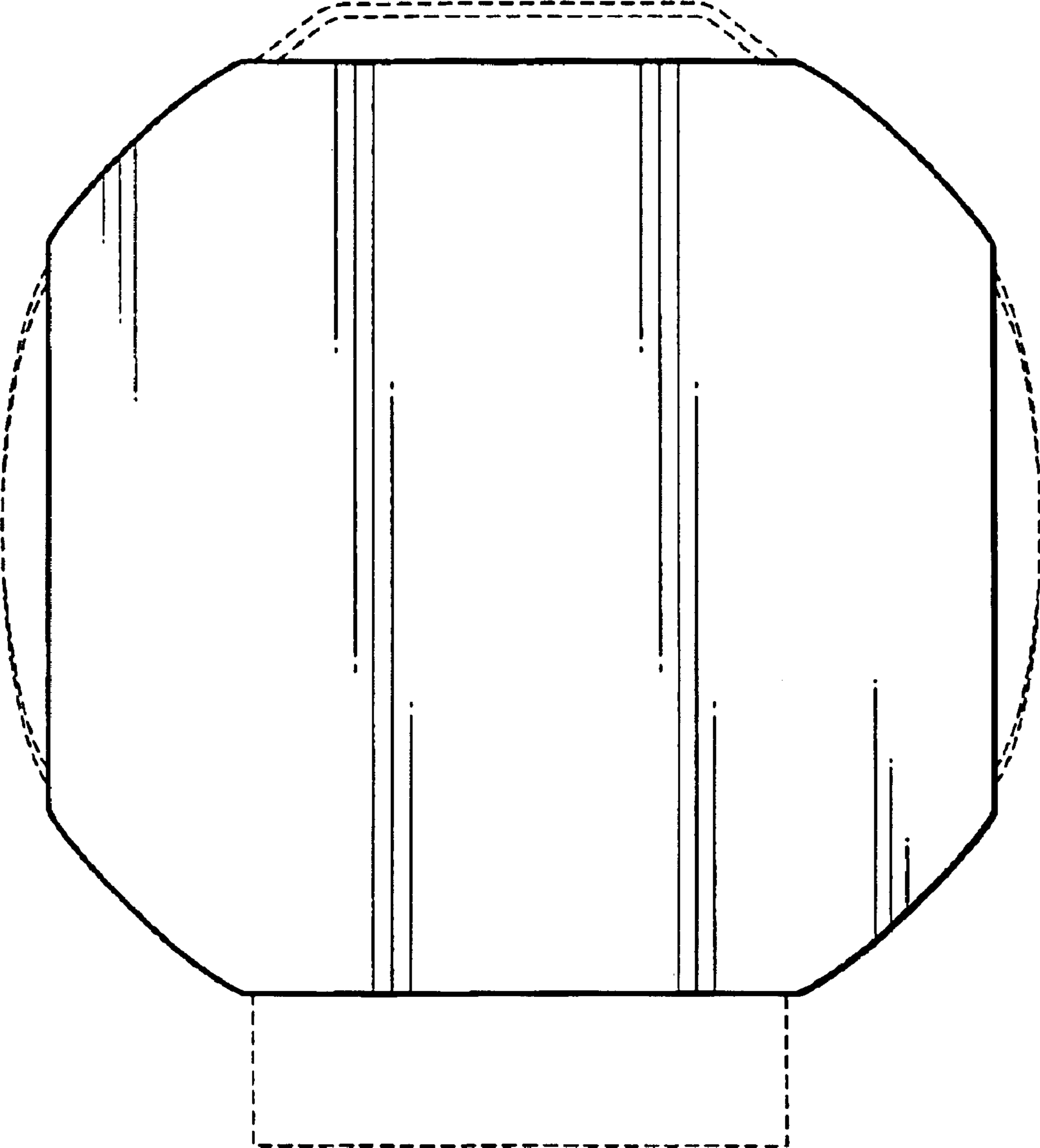


FIG. 6

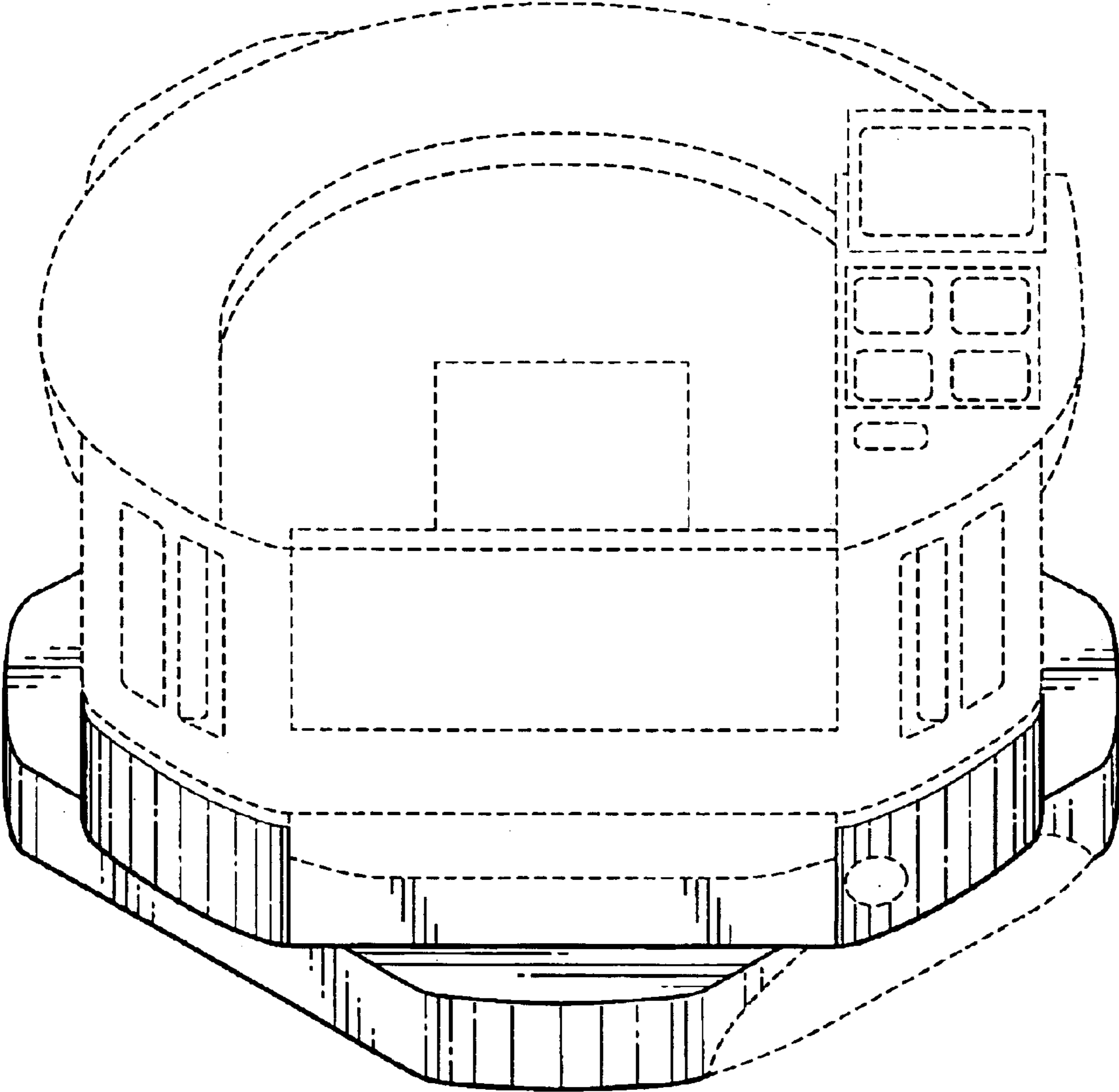


FIG. 7

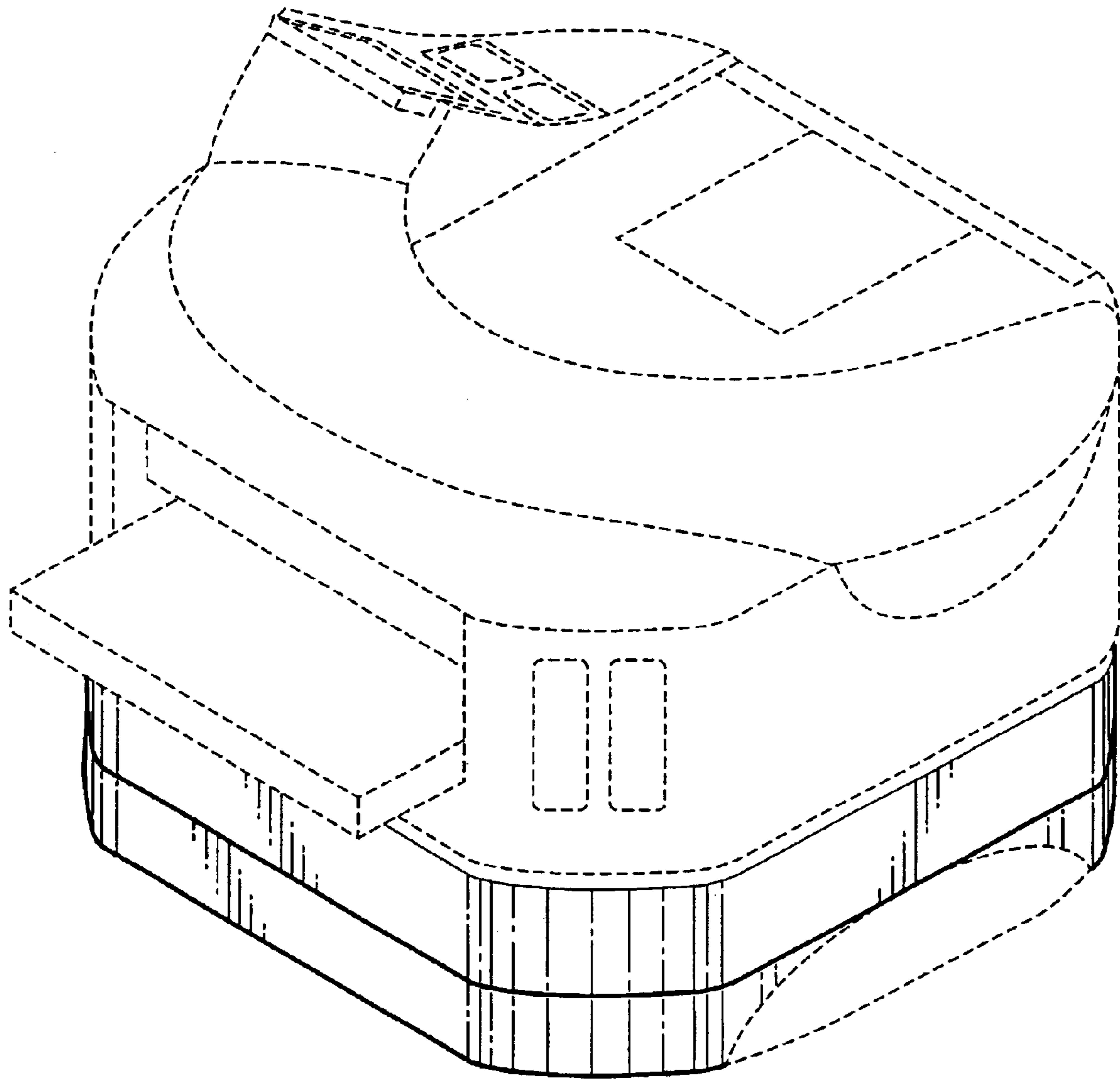


FIG. 8