

US00D494212S1

(12) **United States Design Patent**  
**LaBarbera et al.**

(10) **Patent No.: US D494,212 S**

(45) **Date of Patent: \*\* Aug. 10, 2004**

(54) **PAPER INPUT TRAY**

D320,041 S \* 9/1991 Komada et al. .... D18/39  
D330,213 S \* 10/1992 Hiroki et al. .... D18/36

(75) Inventors: **Angelo Michael LaBarbera**, Eagle, ID (US); **Anthony Sanchez**, Eagle, ID (US)

\* cited by examiner

*Primary Examiner*—Caron D. Veynar

(73) Assignee: **Hewlett-Packard Development Company, LP.**, Houston, TX (US)

(57) **CLAIM**

(\*\*) Term: **14 Years**

The ornamental design for a paper input tray, as shown and described.

(21) Appl. No.: **29/181,911**

**DESCRIPTION**

(22) Filed: **May 16, 2003**

(51) **LOC (7) Cl.** ..... **16-03**

FIG. 1 is a left-front perspective view of a paper input tray showing the new design;

(52) **U.S. Cl.** ..... **D18/44; D18/49; D18/56**

FIG. 2 is a front view thereof

(58) **Field of Search** ..... D18/36-40, 44,

FIG. 3 is a left side view thereof;

D18/46-50, 56; 271/3.01, 3.08, 3.14, 8.1, 147, 171, 278; 355/72; 399/16, 361-380, 388-393, 405

FIG. 4 is a right side view thereof; and,

FIG. 5 is a top view thereof.

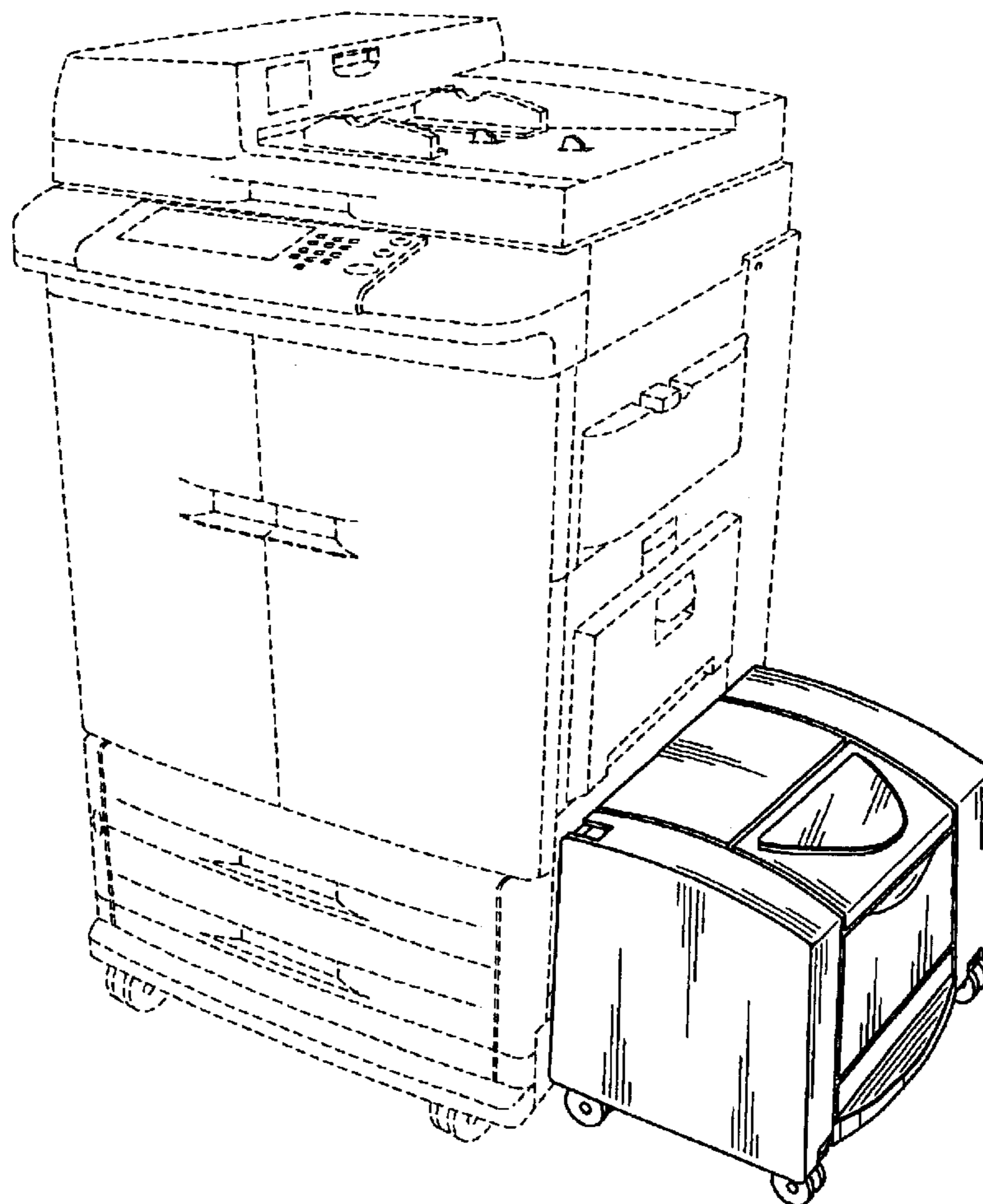
The broken lines showing in FIGS. 1-5 are for illustrative purposes only and form no part of the claimed design.

(56) **References Cited**

**U.S. PATENT DOCUMENTS**

D254,975 S \* 5/1980 Gambrell et al. .... D18/48

**1 Claim, 5 Drawing Sheets**



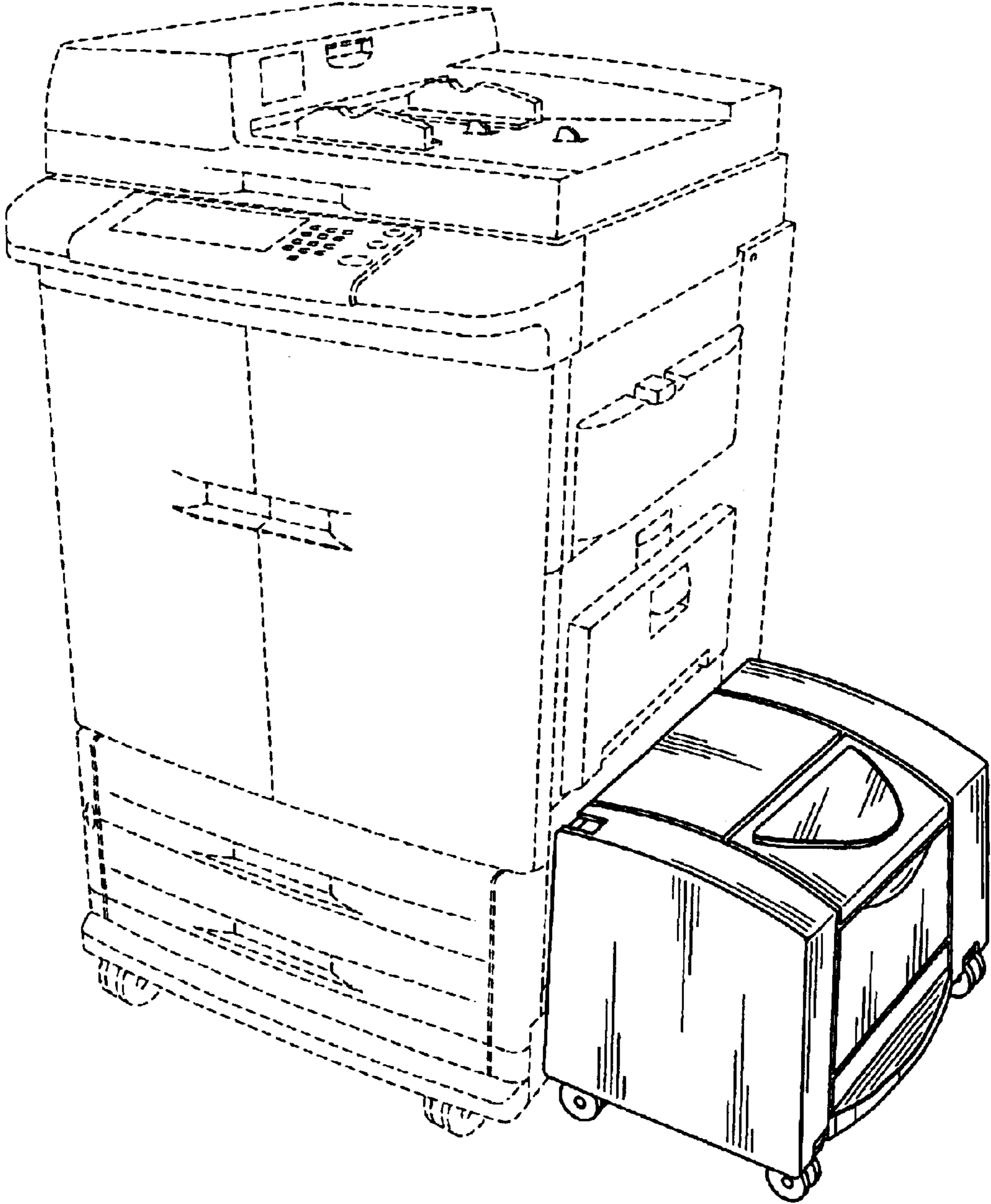


FIG. 1

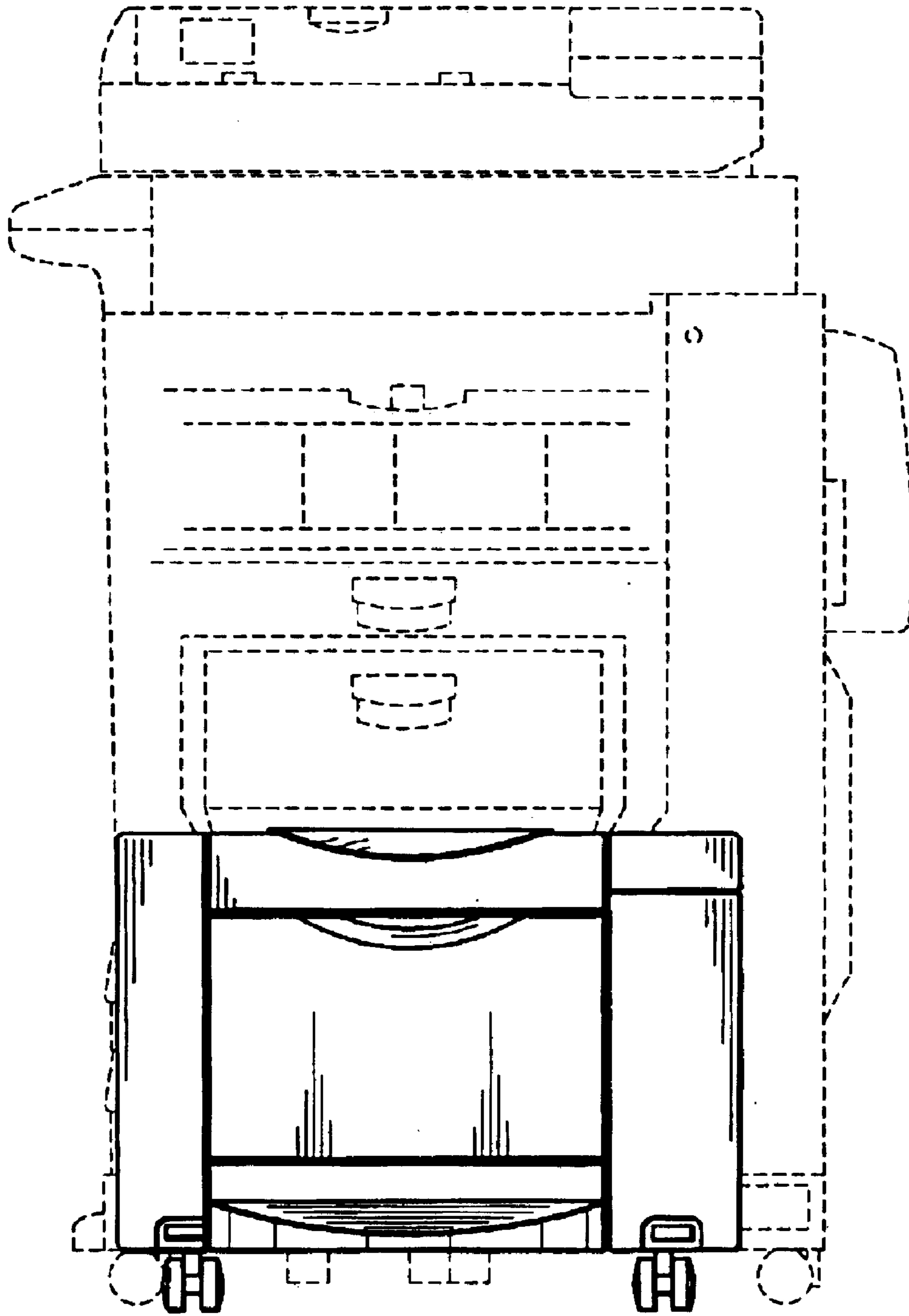


FIG. 2

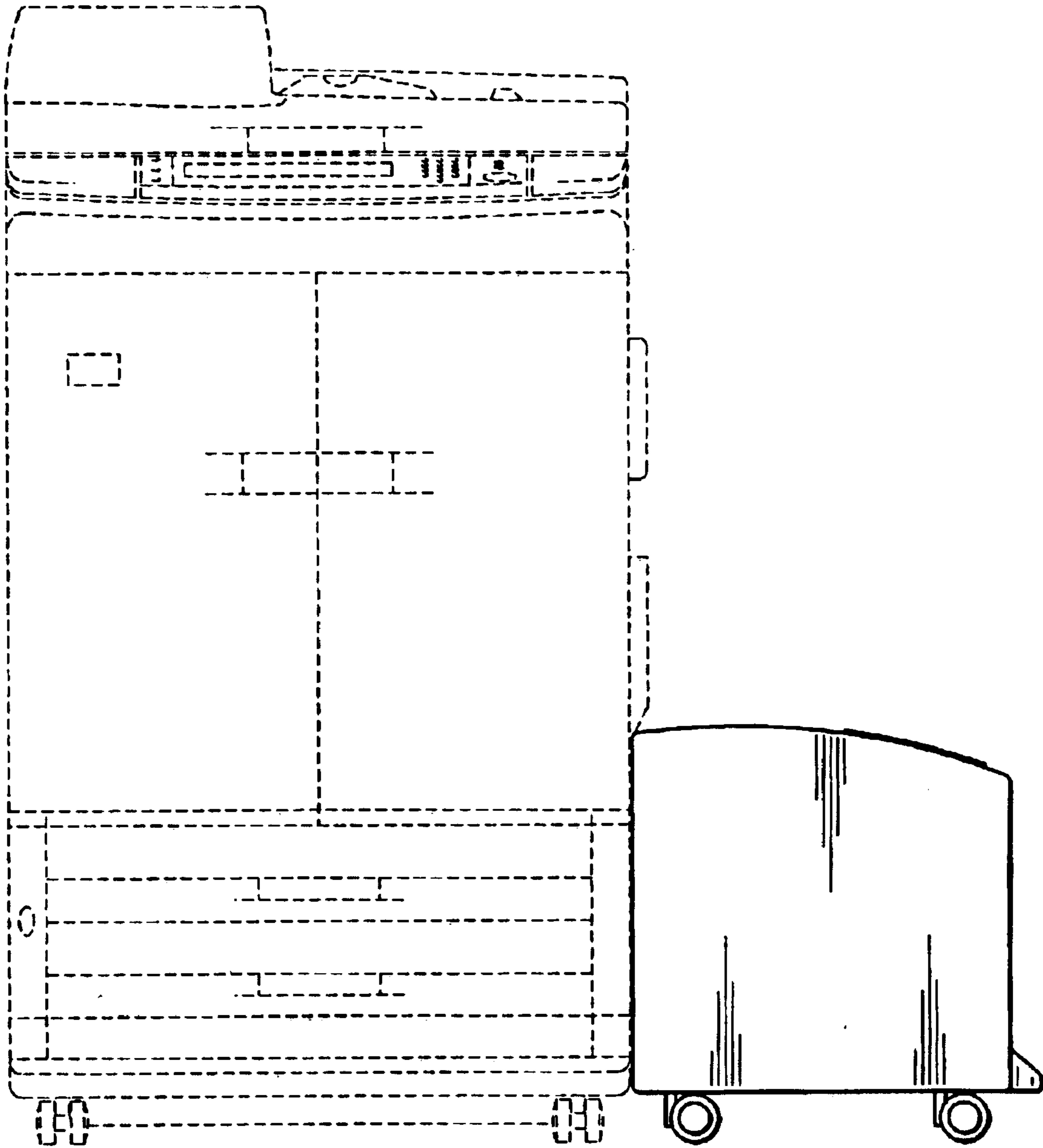


FIG. 3

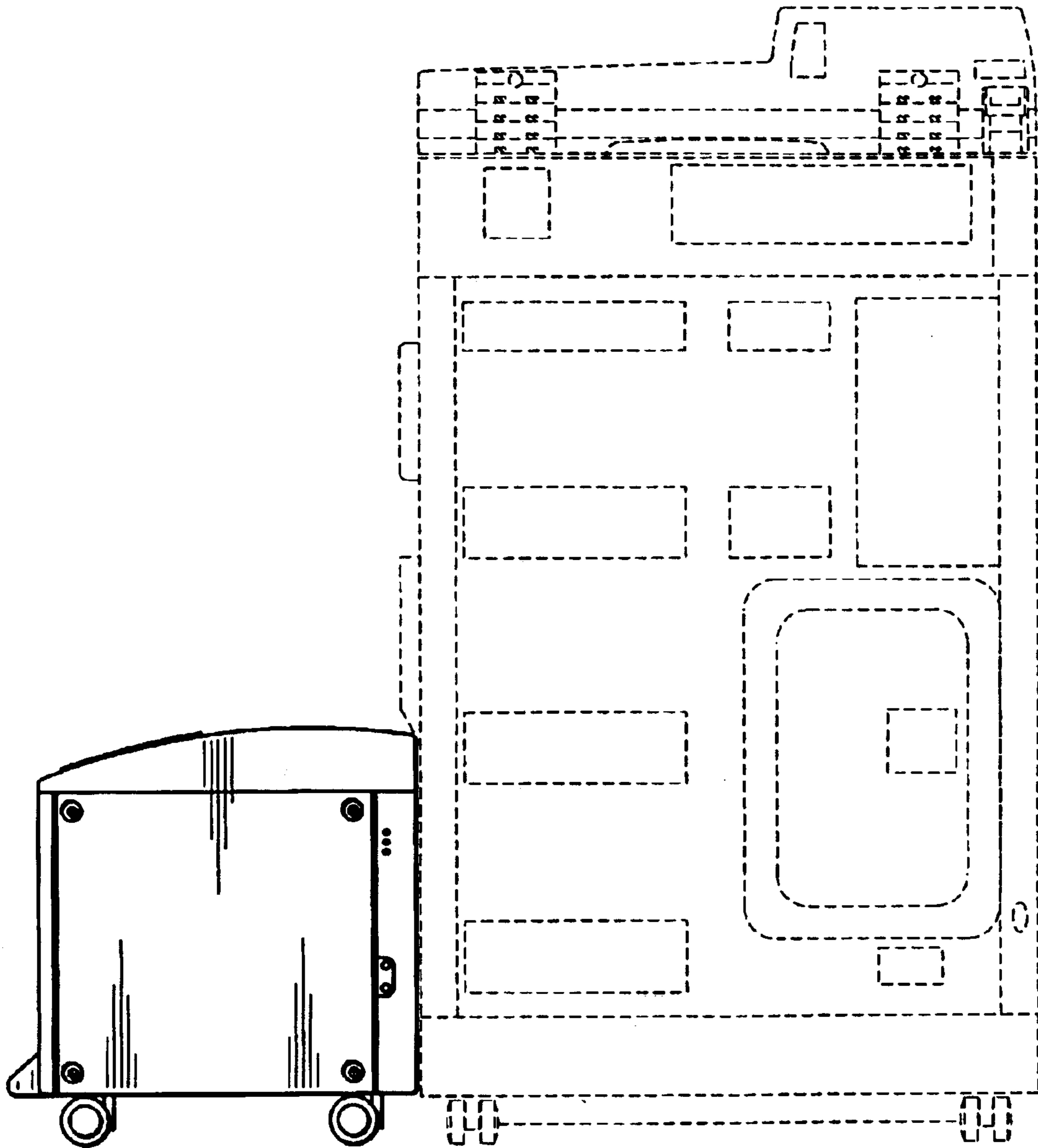


FIG. 4

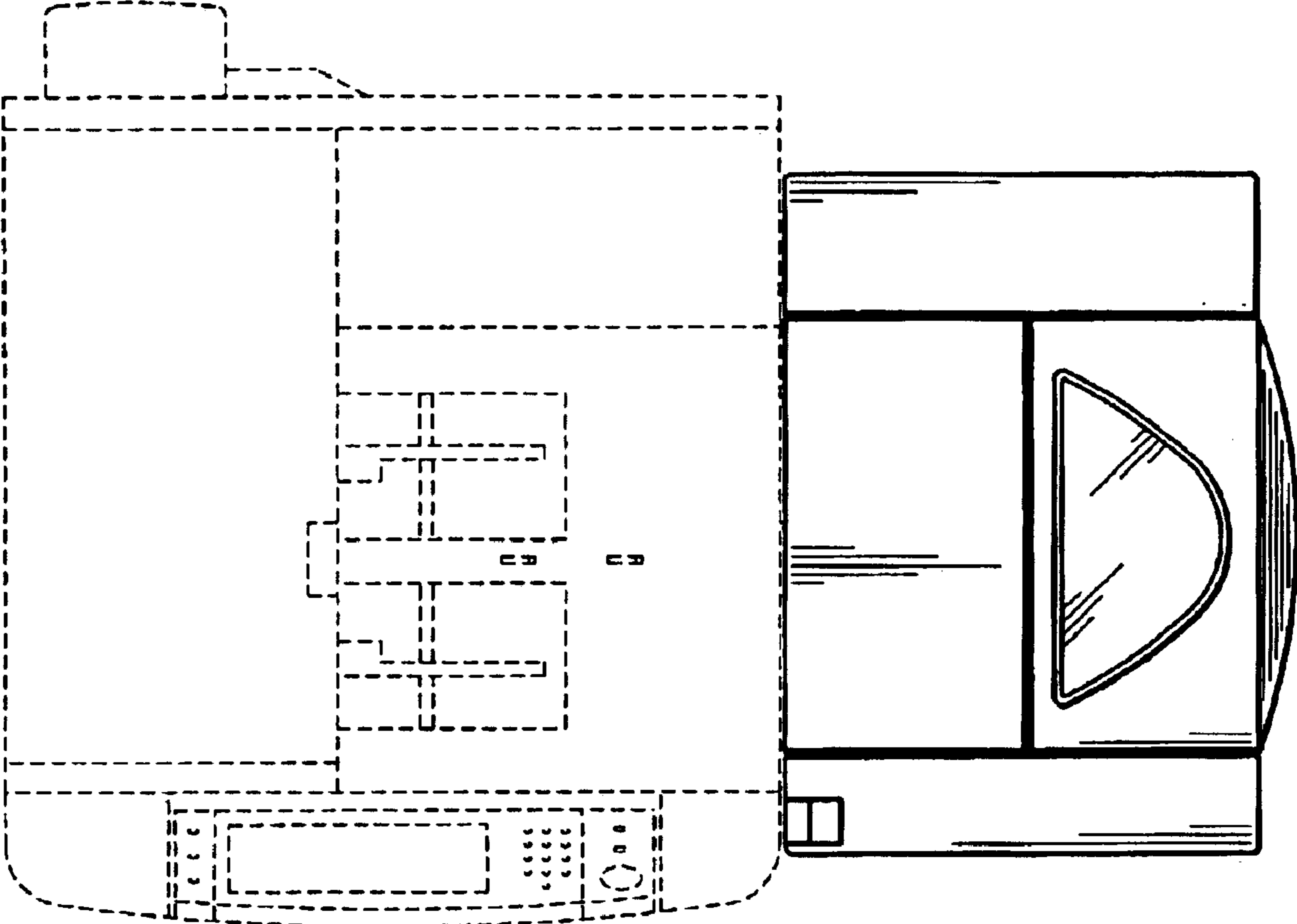


FIG. 5