

US00D494210S1

(12) **United States Design Patent** (10) **Patent No.:** **US D494,210 S**  
**Watanabe et al.** (45) **Date of Patent:** **\*\* Aug. 10, 2004**

(54) **WIDE DIGITAL COPYING MACHINE**

(75) Inventors: **Yohichi Watanabe**, Tokyo (JP);  
**Yoshihisa Minakawa**, Tokyo (JP);  
**Satoru Tohyama**, Tokyo (JP);  
**Masanao Takahashi**, Tokyo (JP);  
**Masateru Kohno**, Kanagawa (JP)

(73) Assignee: **Ricoh Company, Ltd.**, Tokyo (JP)

(\*\*) Term: **14 Years**

(21) Appl. No.: **29/188,911**

(22) Filed: **Aug. 27, 2003**

(30) **Foreign Application Priority Data**

Mar. 5, 2003 (JP) ..... 2003-005755

(51) **LOC (7) Cl.** ..... **16-03**

(52) **U.S. Cl.** ..... **D18/39; D10/46; D18/50**

(58) **Field of Search** ..... D18/36-45, 50,  
D18/53-56; 355/97, 50; 399/1-7, 21, 81,  
107, 108, 130, 151, 407, 391-393; D10/46,  
63; 271/3.14

(56) **References Cited**

**U.S. PATENT DOCUMENTS**

5,237,378 A \* 8/1993 McEwen ..... 399/21

D340,066 S \* 10/1993 Iwanaga ..... D18/53  
D350,973 S \* 9/1994 Lucker ..... D18/39  
D438,240 S \* 2/2001 Kimura ..... D18/53  
D445,126 S \* 7/2001 Shimizu ..... D18/53  
D452,874 S \* 1/2002 Minakawa et al. .... D18/39  
D464,080 S \* 10/2002 Yamano et al. .... D18/53

\* cited by examiner

*Primary Examiner*—Caron D. Veynar

(74) *Attorney, Agent, or Firm*—Dickstein Shapiro Morin & Oshinsky LLP

(57) **CLAIM**

The ornamental design for a wide digital copying machine, as shown and described.

**DESCRIPTION**

FIG. 1 is a front elevation of a wide digital copying machine according to the present invention;  
FIG. 2 is a rear elevation thereof;  
FIG. 3 is a top plan view thereof;  
FIG. 4 is a bottom plan view thereof;  
FIG. 5 is a right side elevation thereof;  
FIG. 6 is a left side elevation thereof; and,  
FIG. 7 is a top, front and right side perspective view thereof.

**1 Claim, 4 Drawing Sheets**

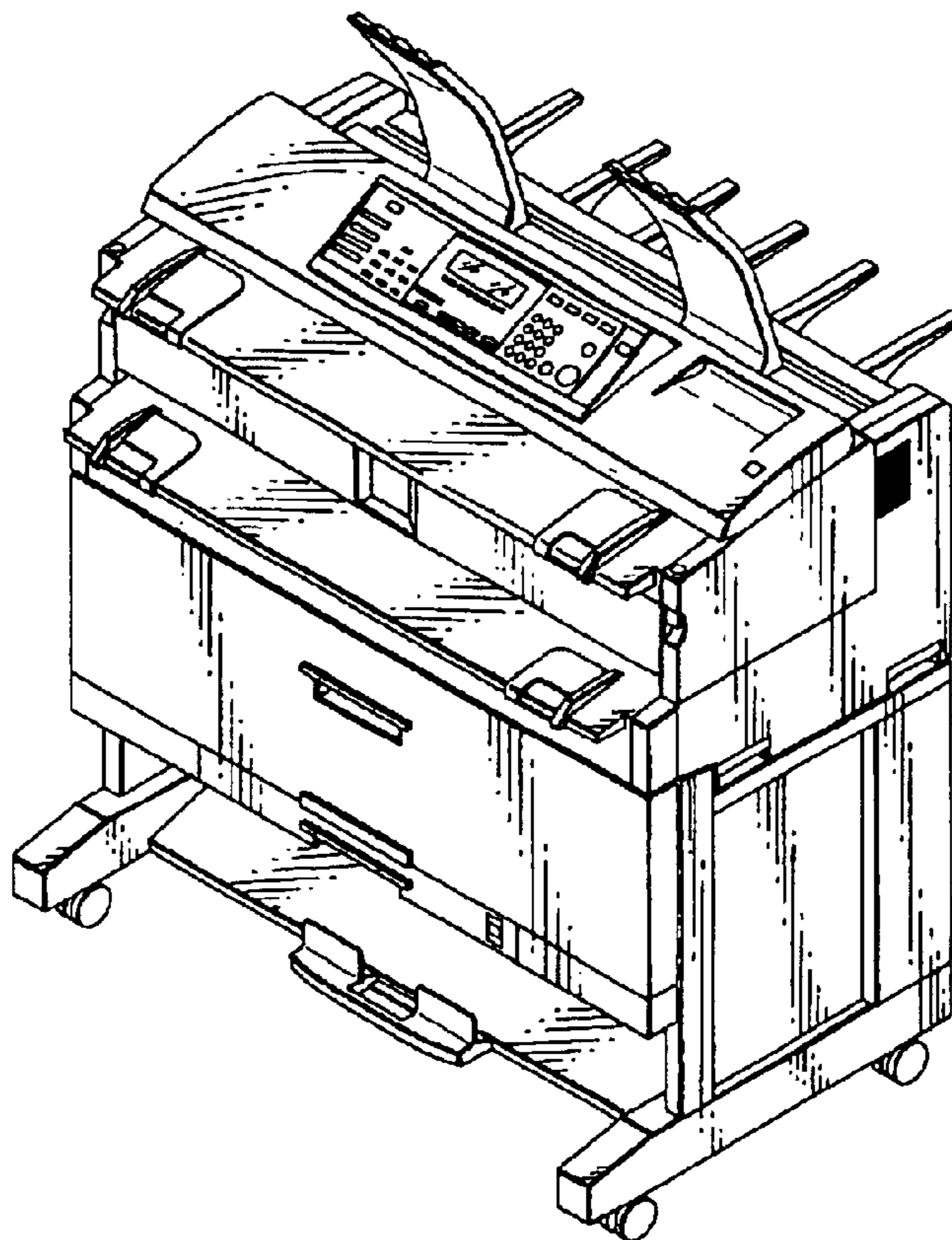


FIG. 1

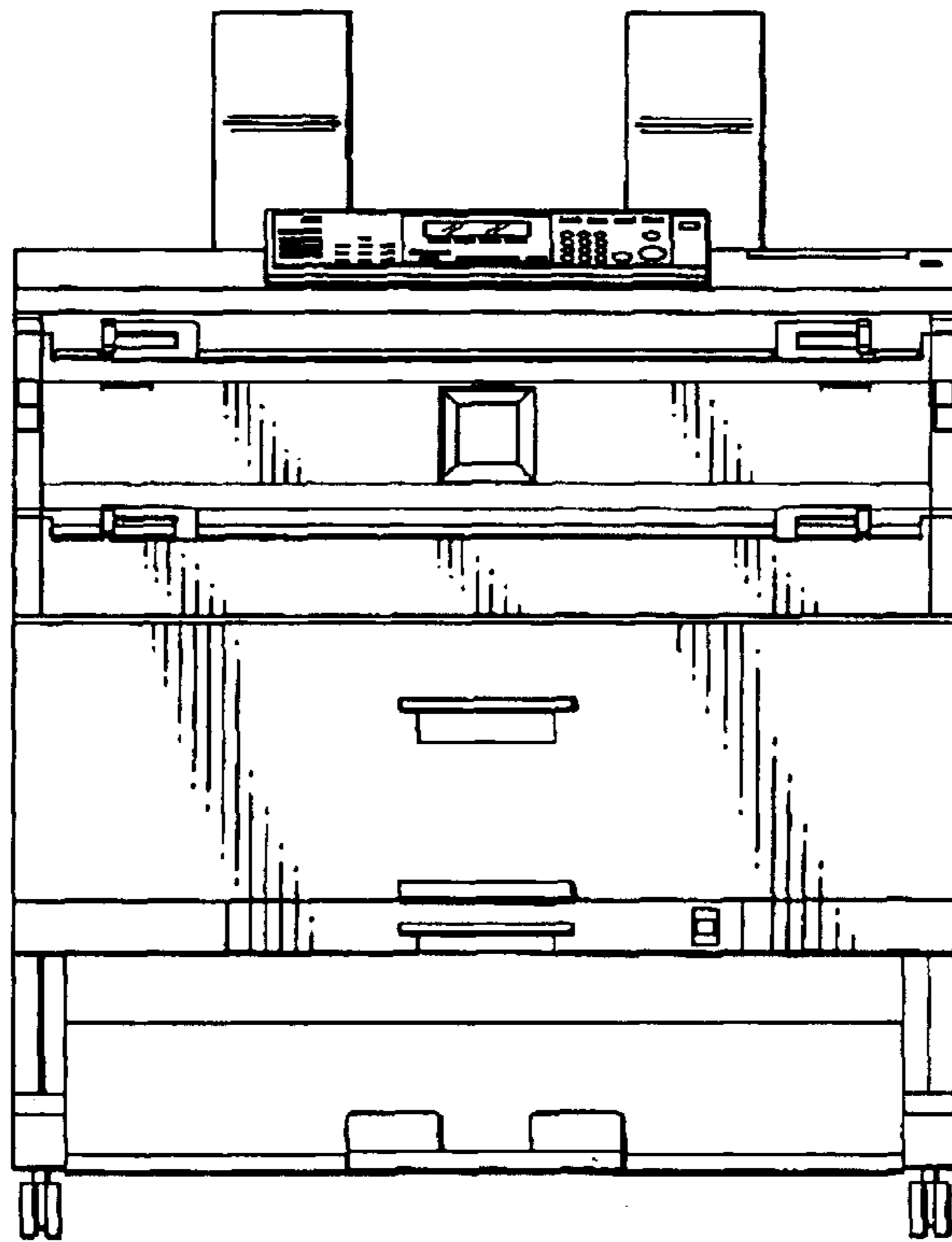


FIG. 2

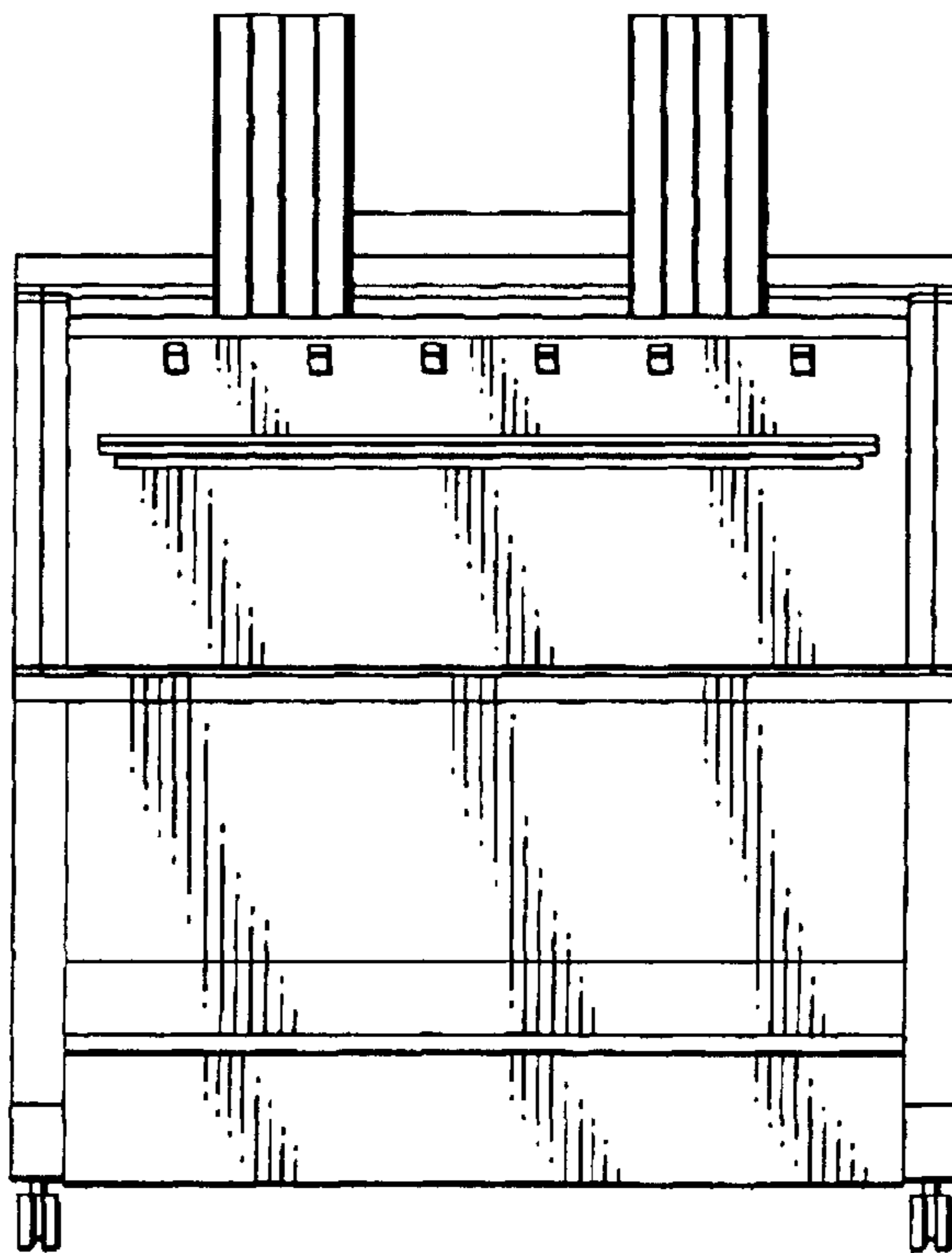


FIG. 3

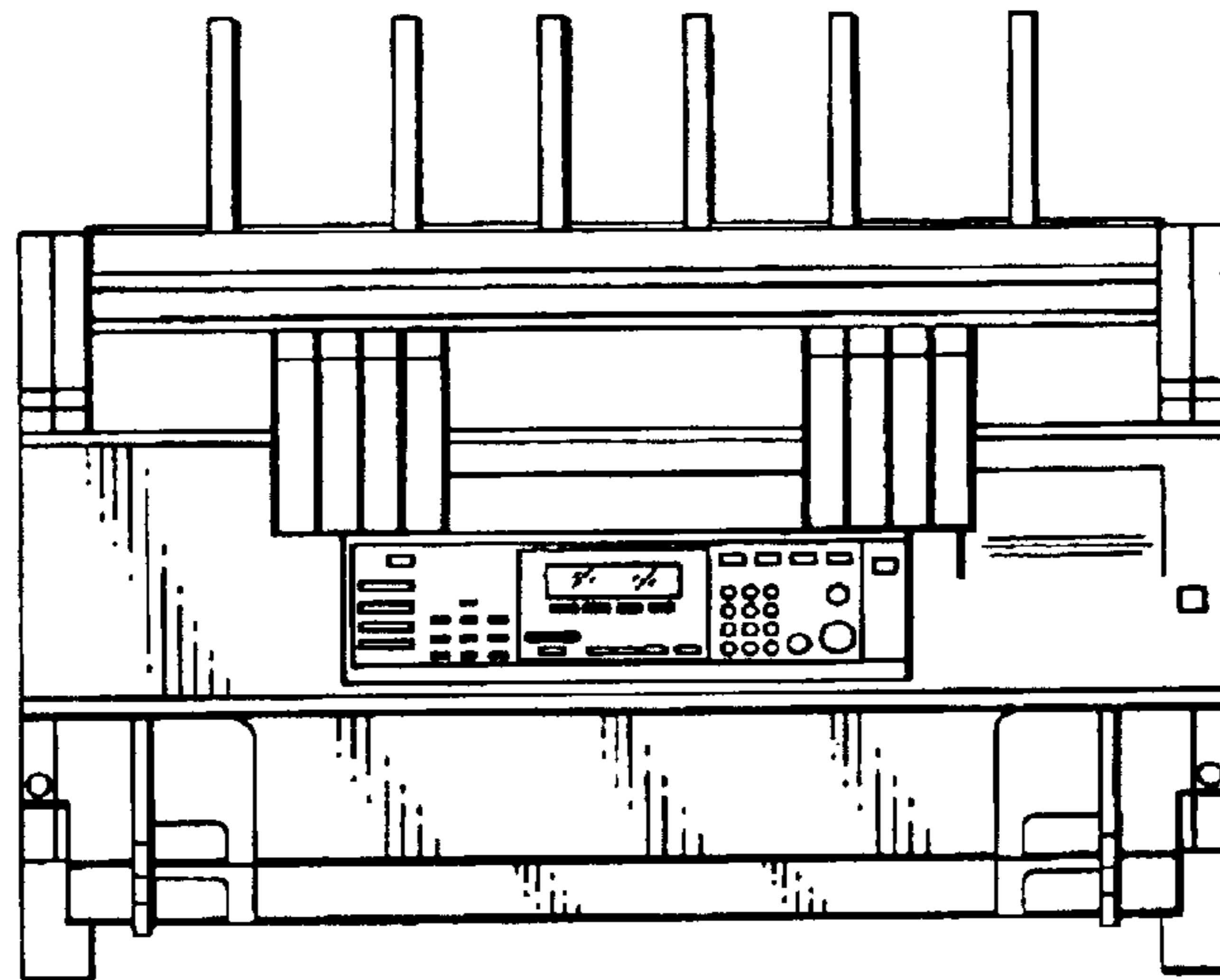


FIG. 4

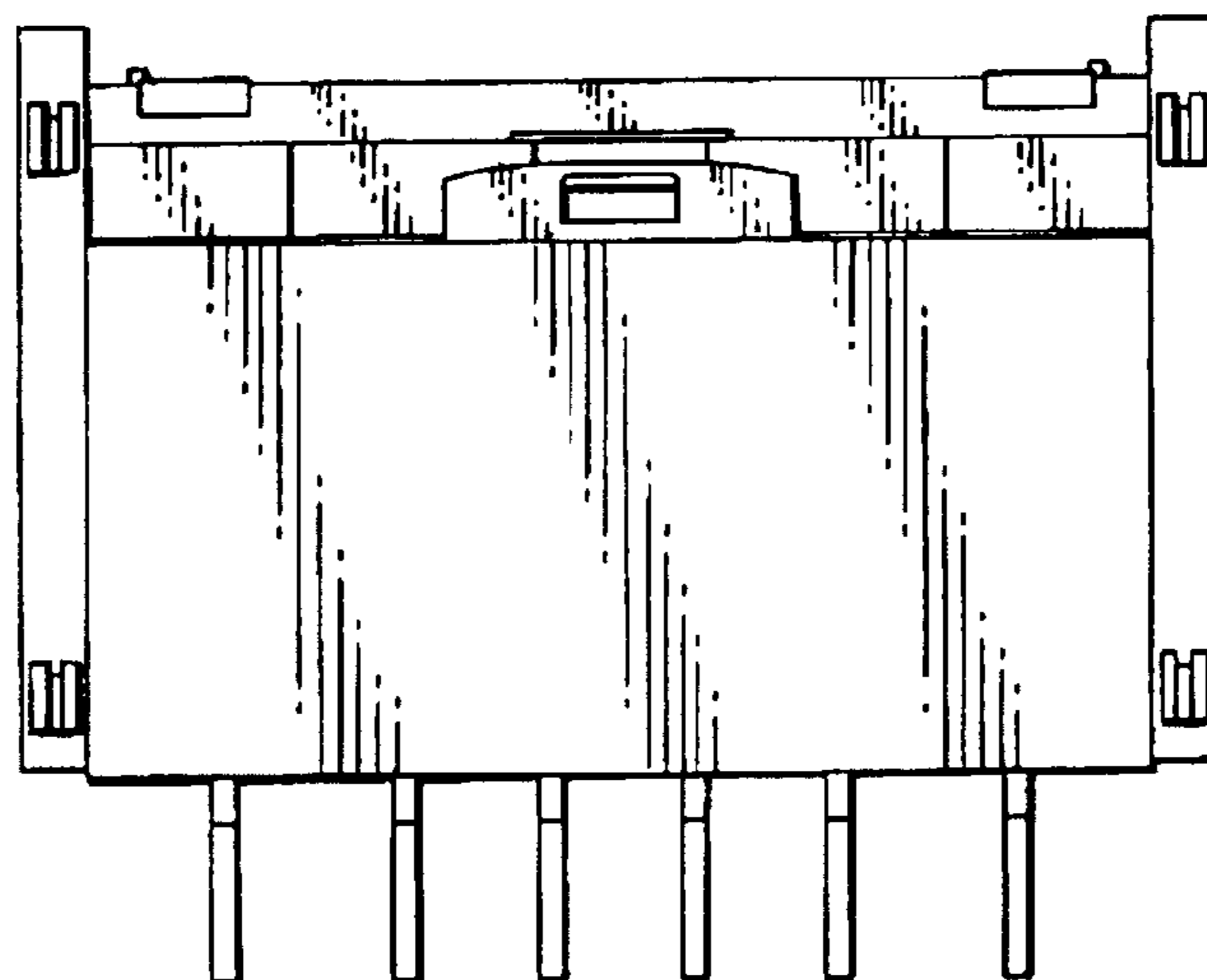


FIG. 5

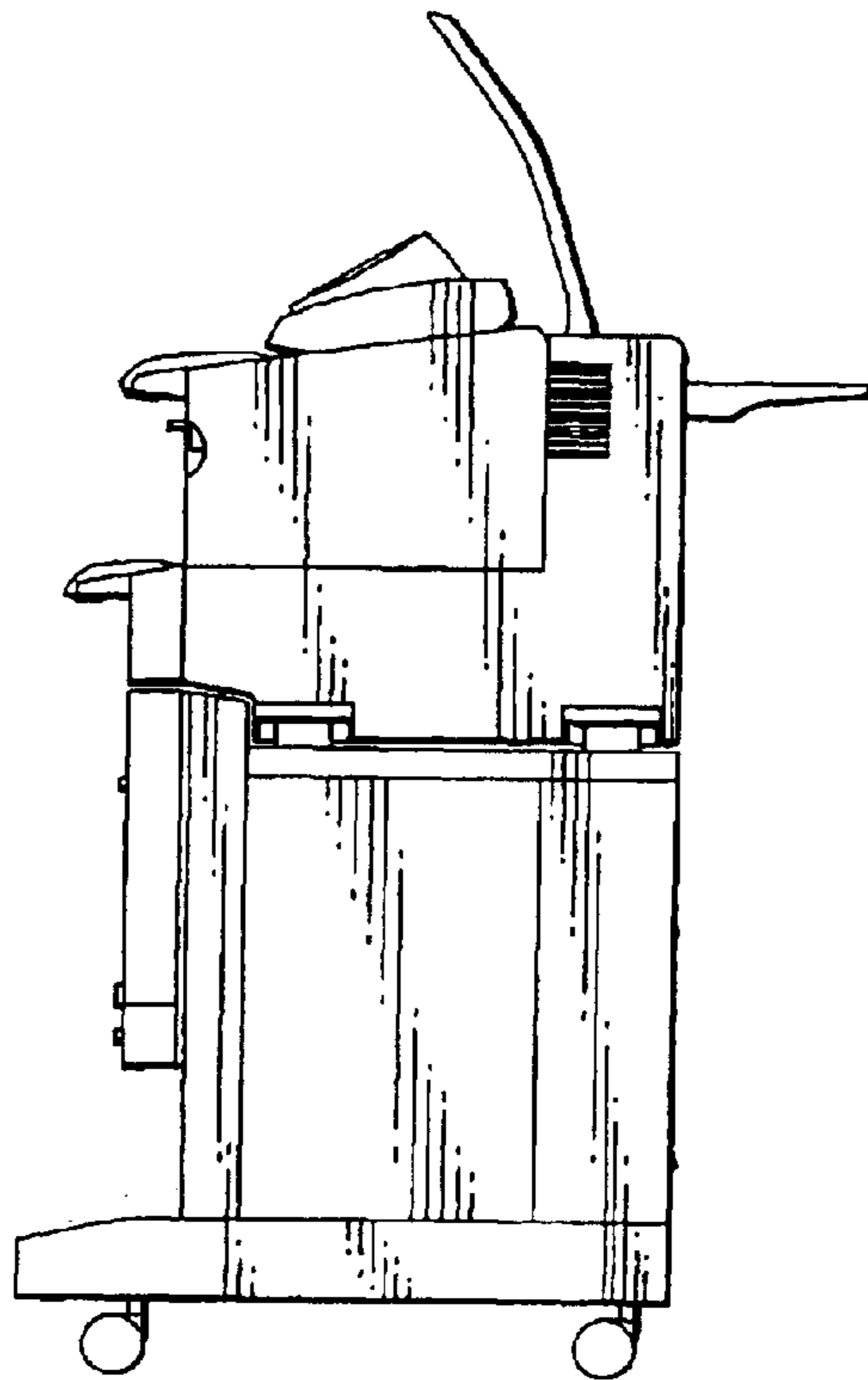


FIG. 6

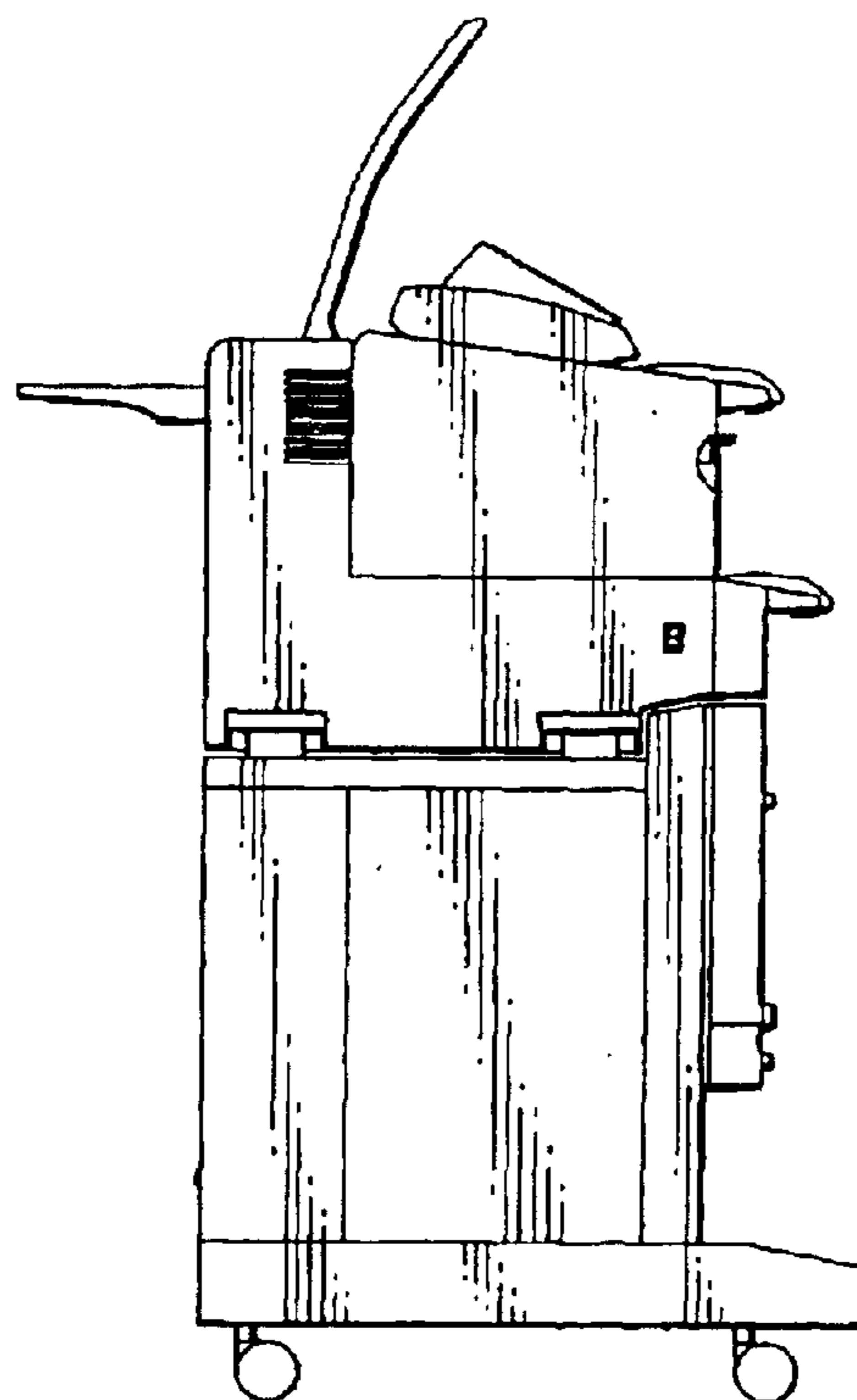


FIG. 7

