

US00D494205S1

(12) **United States Design Patent**
Kawase

(10) **Patent No.:** **US D494,205 S**

(45) **Date of Patent:** **** Aug. 10, 2004**

(54) **CAMERA**

(75) **Inventor:** **Atsushi Kawase, Tokyo (JP)**

(73) **Assignee:** **Sony Corporation, Tokyo (JP)**

(**) **Term:** **14 Years**

(21) **Appl. No.:** **29/193,245**

(22) **Filed:** **Nov. 7, 2003**

(51) **LOC (7) Cl. 16-01**

(52) **U.S. Cl. D16/219; D16/202; D16/212**

(58) **Field of Search D16/200, 205,
D16/208, 209, 211, 212, 218, 219; 348/373-376;
358/906, 909.1; 396/348, 448, 535-541**

(56) **References Cited**

U.S. PATENT DOCUMENTS

D400,901 S	*	11/1998	Chapman et al.	D16/219
D428,038 S	*	7/2000	Suto	D16/219
D451,527 S	*	12/2001	Suzuki et al.	D16/219
D453,942 S	*	2/2002	Suzuki et al.	D16/219
6,347,893 B1	*	2/2002	Shiono et al.	396/448
D476,023 S		6/2003	Sumita	
D477,832 S		7/2003	Suzuki	
D482,714 S	*	11/2003	Komatsu	D16/219
D487,476 S	*	3/2004	Komatsu	D16/219

FOREIGN PATENT DOCUMENTS

JP	D1009651 S	5/1998
JP	D1010675 S	5/1998
JP	D1029970 S	1/1999
JP	D1030006 S	1/1999
JP	D1066047 S	4/2000

JP	D1066048 S	4/2000
JP	D1093746 S	12/2000
JP	D1162508 S	1/2003

OTHER PUBLICATIONS

Web page "Sony eCatalog, DSC-U20" <http://www.ecat.sony.co.jp/camera/dsc/products/index.cfm?PD=10557&KM=DSC-U20>, 1 sheet, Sony Marketing (Japan) Inc. (Aug. 2003).

Web page "DSC-U30" 2 sheets, Sony Marketing (Japan) Inc. (Sep. 2003 at the latest).

Web page "DSC-U10" 1 sheet, Sony (Sep. 2003 at the latest).

* cited by examiner

Primary Examiner—Adir Aronovich

(74) *Attorney, Agent, or Firm*—Rader, Fishman & Grauer PLLC

(57) **CLAIM**

The ornamental design for a camera, as shown and described.

DESCRIPTION

FIG. 1 is a perspective view of a camera showing my new design;

FIG. 2 is a front elevational view thereof;

FIG. 3 is a left side elevational view thereof;

FIG. 4 is a right side elevational view thereof;

FIG. 5 is a top plan view thereof; and,

FIG. 6 is a bottom plan view thereof.

Portions in broken lines in FIGS. 1-6 are for illustrative purpose only and form no part of claimed design.

1 Claim, 4 Drawing Sheets

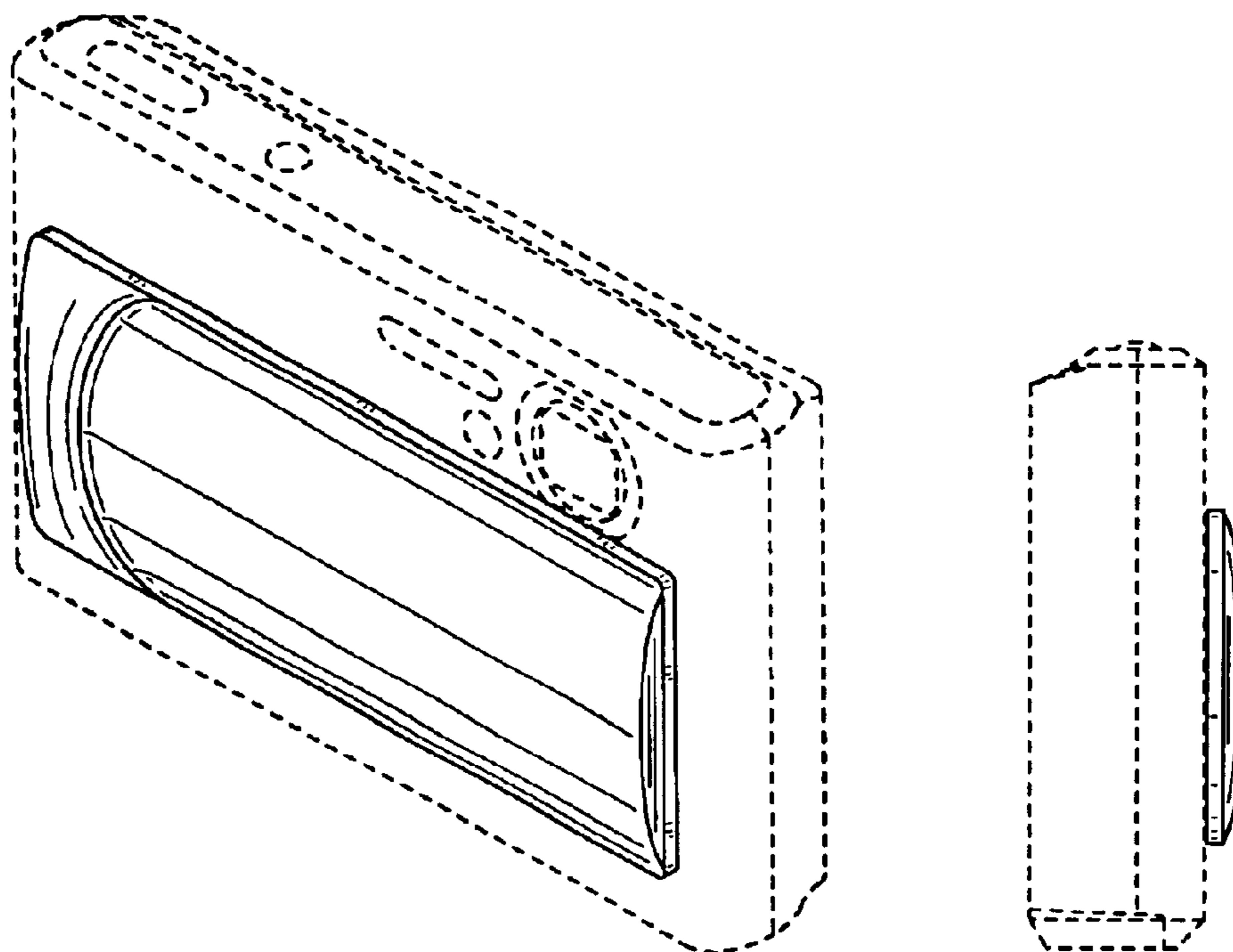


Fig. 1

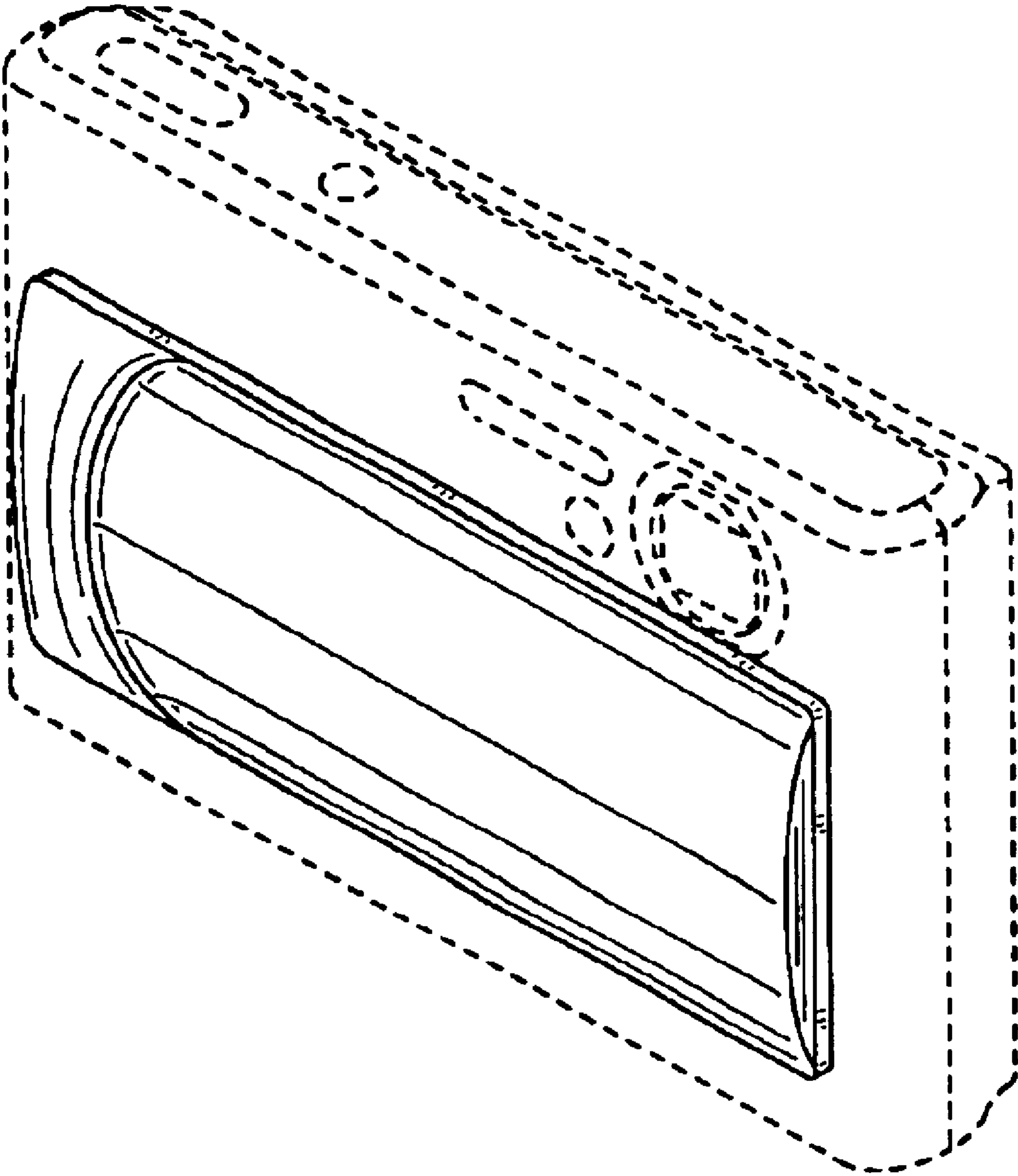


Fig.2

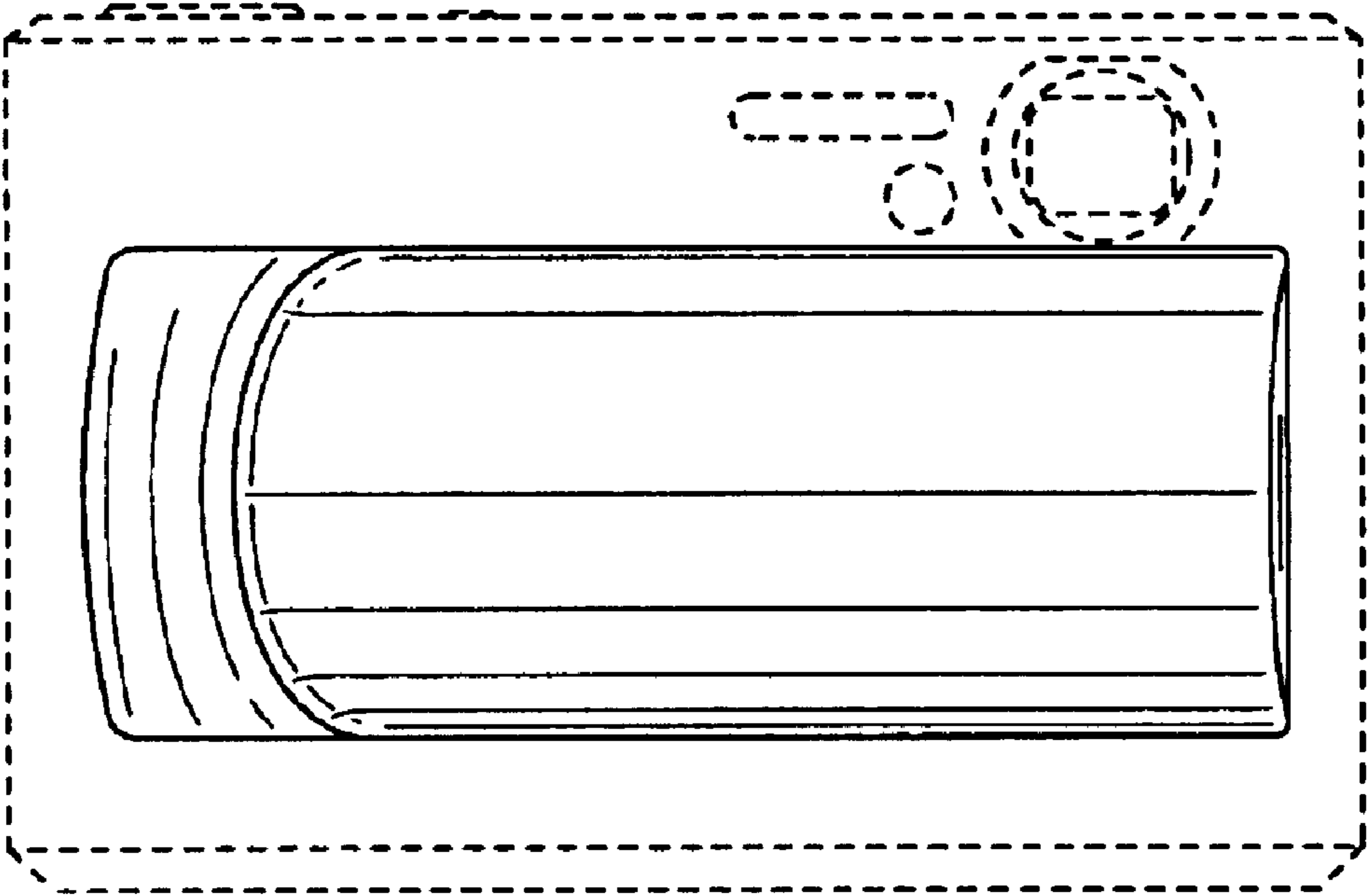


Fig.3

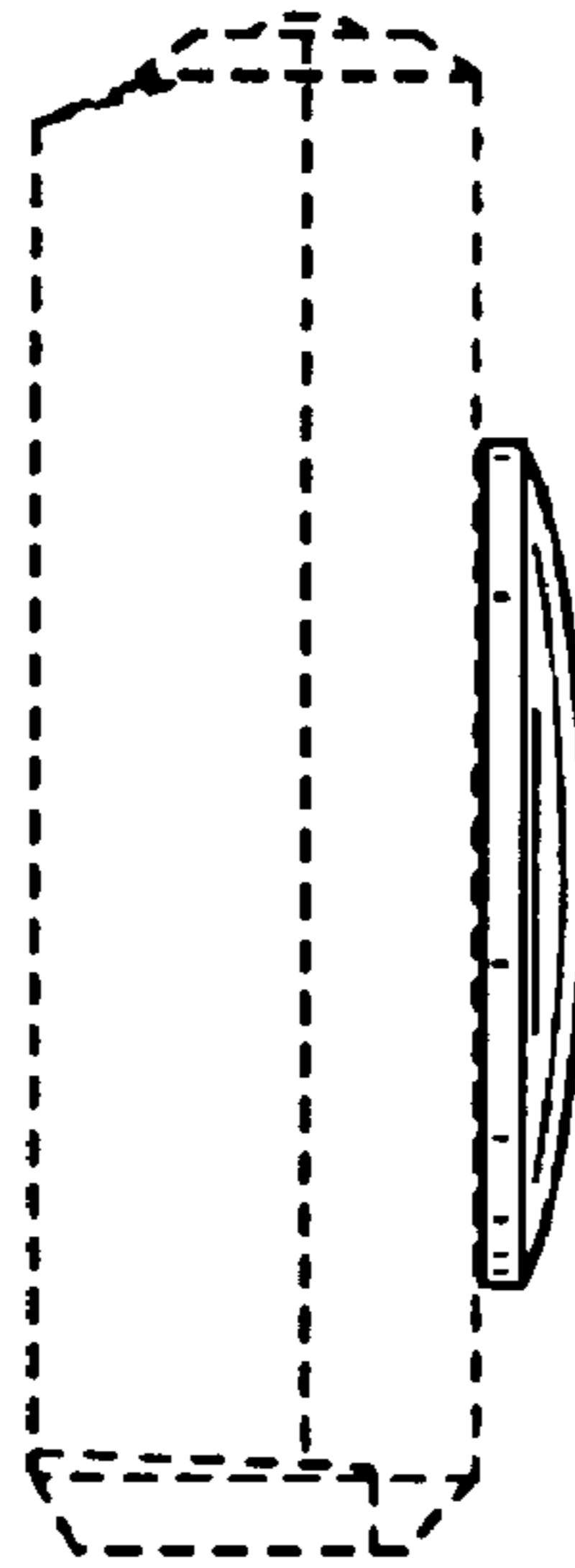


Fig.4

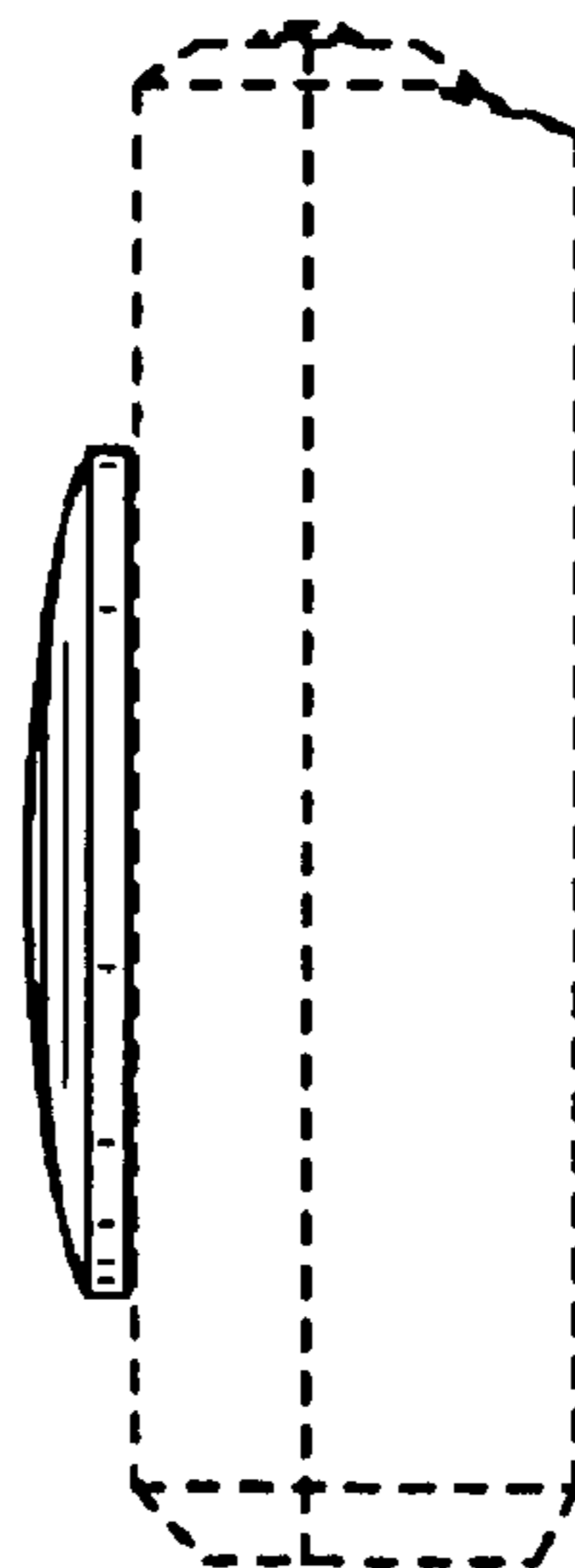


Fig.5

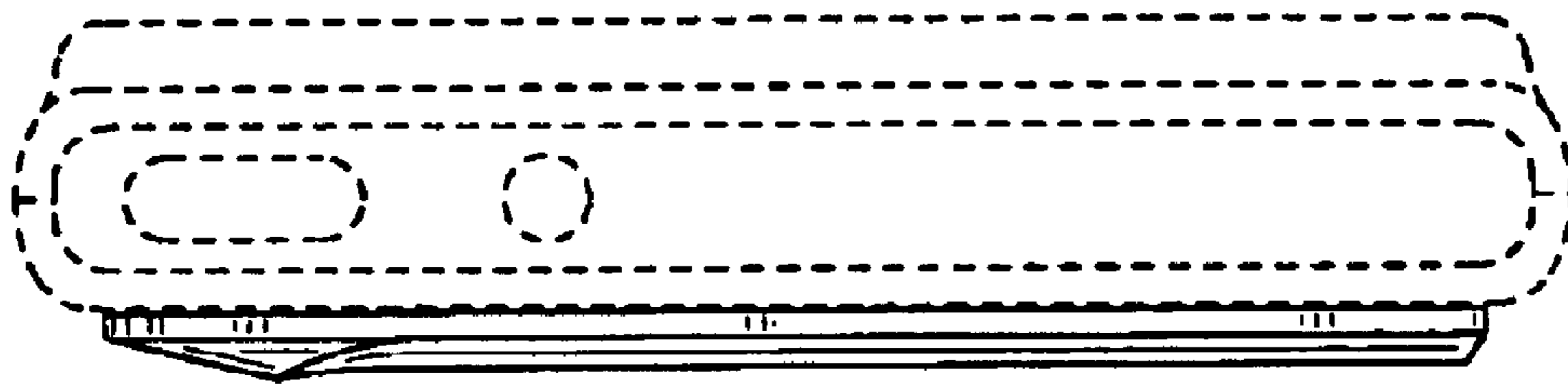


Fig.6

