

US00D494201S1

(12) **United States Design Patent**  
**Chen**

(10) **Patent No.:** **US D494,201 S**

(45) **Date of Patent:** **\*\* Aug. 10, 2004**

(54) **DIGITAL CAMERA**

(75) **Inventor:** **Yi-Fang Chen, Taipei (TW)**

(73) **Assignee:** **Advanced Plus Technology Co., Ltd., Taichung (TW)**

(\*\*) **Term:** **14 Years**

(21) **Appl. No.:** **29/193,189**

(22) **Filed:** **Nov. 6, 2003**

(51) **LOC (7) Cl.** ..... **16-01**

(52) **U.S. Cl.** ..... **D16/202; D16/212**

(58) **Field of Search** ..... **D16/200-204, D16/208, 211, 212, 218; 348/373-376; 358/909.1; 396/349, 448, 535-541**

(56) **References Cited**

**U.S. PATENT DOCUMENTS**

- 4,556,304 A \* 12/1985 Fukuda ..... 396/448
- D283,428 S \* 4/1986 Iguchi ..... D16/212
- D404,412 S \* 1/1999 Yoshii et al. .... D16/202
- D423,543 S \* 4/2000 Hashimoto et al. .... D16/212

- 6,104,882 A \* 8/2000 Inazuka ..... 396/349
- D470,523 S \* 2/2003 Basmadjian et al. .... D16/212

\* cited by examiner

*Primary Examiner*—Adir Aronovich

(74) *Attorney, Agent, or Firm*—Rosenberg, Klein & Lee

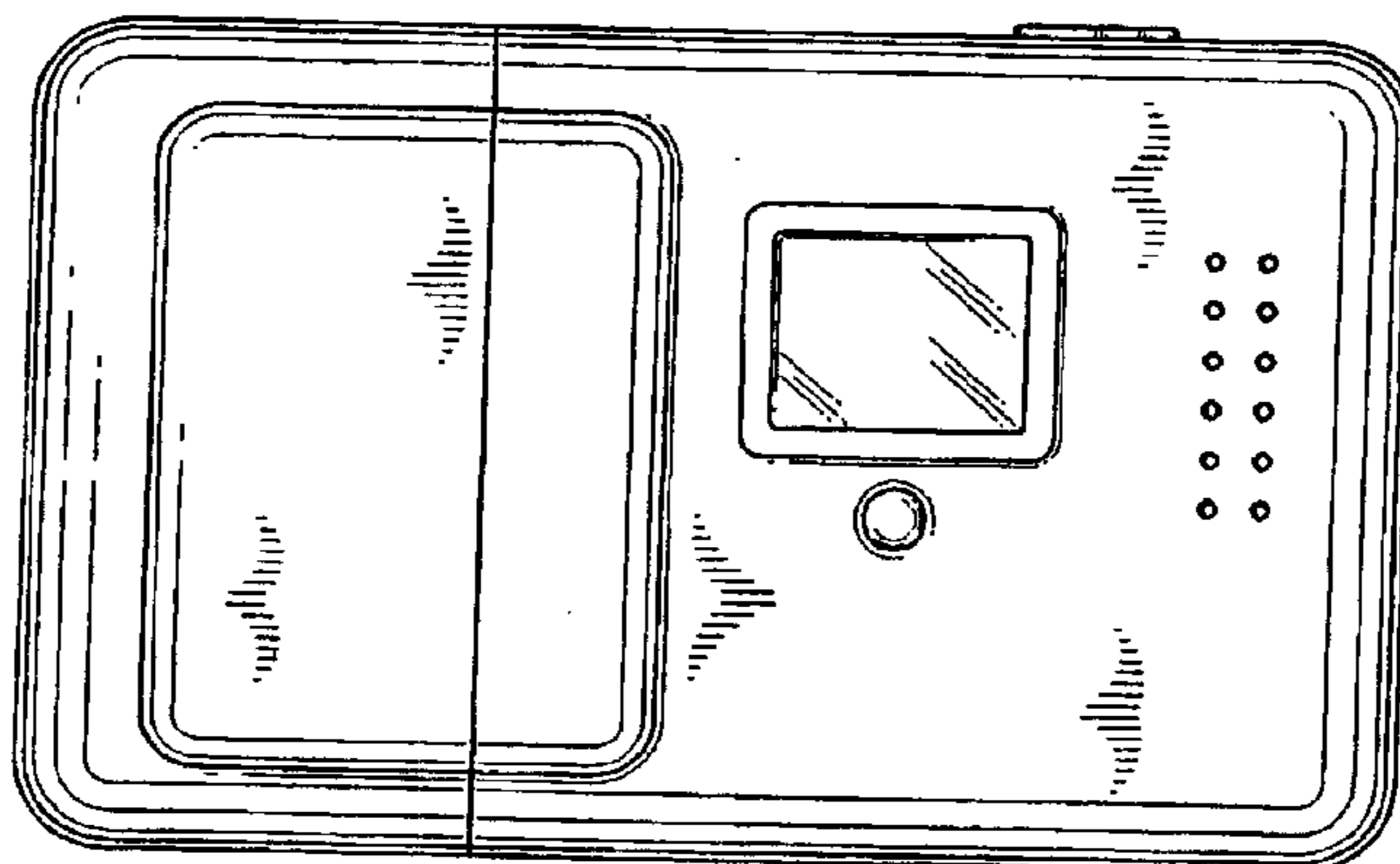
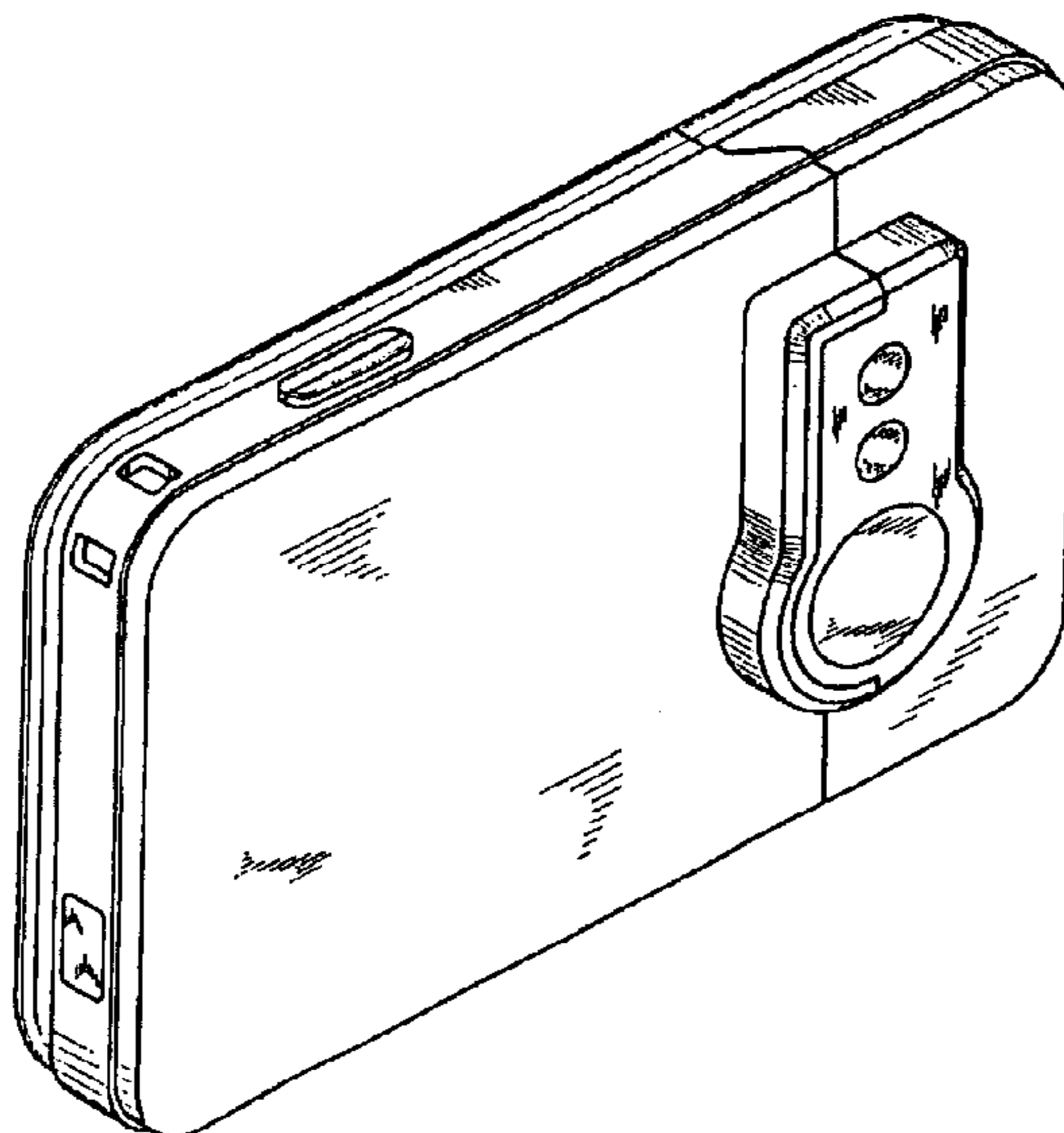
(57) **CLAIM**

The ornamental design for a digital camera, as shown and described.

**DESCRIPTION**

FIG. 1 is a perspective view of a digital camera showing my new design;  
 FIG. 2 is a front elevational view thereof;  
 FIG. 3 is a rear elevational view thereof;  
 FIG. 4 is a left side view thereof;  
 FIG. 5 is a right side view thereof;  
 FIG. 6 is a top plan view thereof;  
 FIG. 7 is a bottom plan view thereof ; and,  
 FIG. 8 is a front elevational view thereof, with the lens cover in an open position.

**1 Claim, 5 Drawing Sheets**



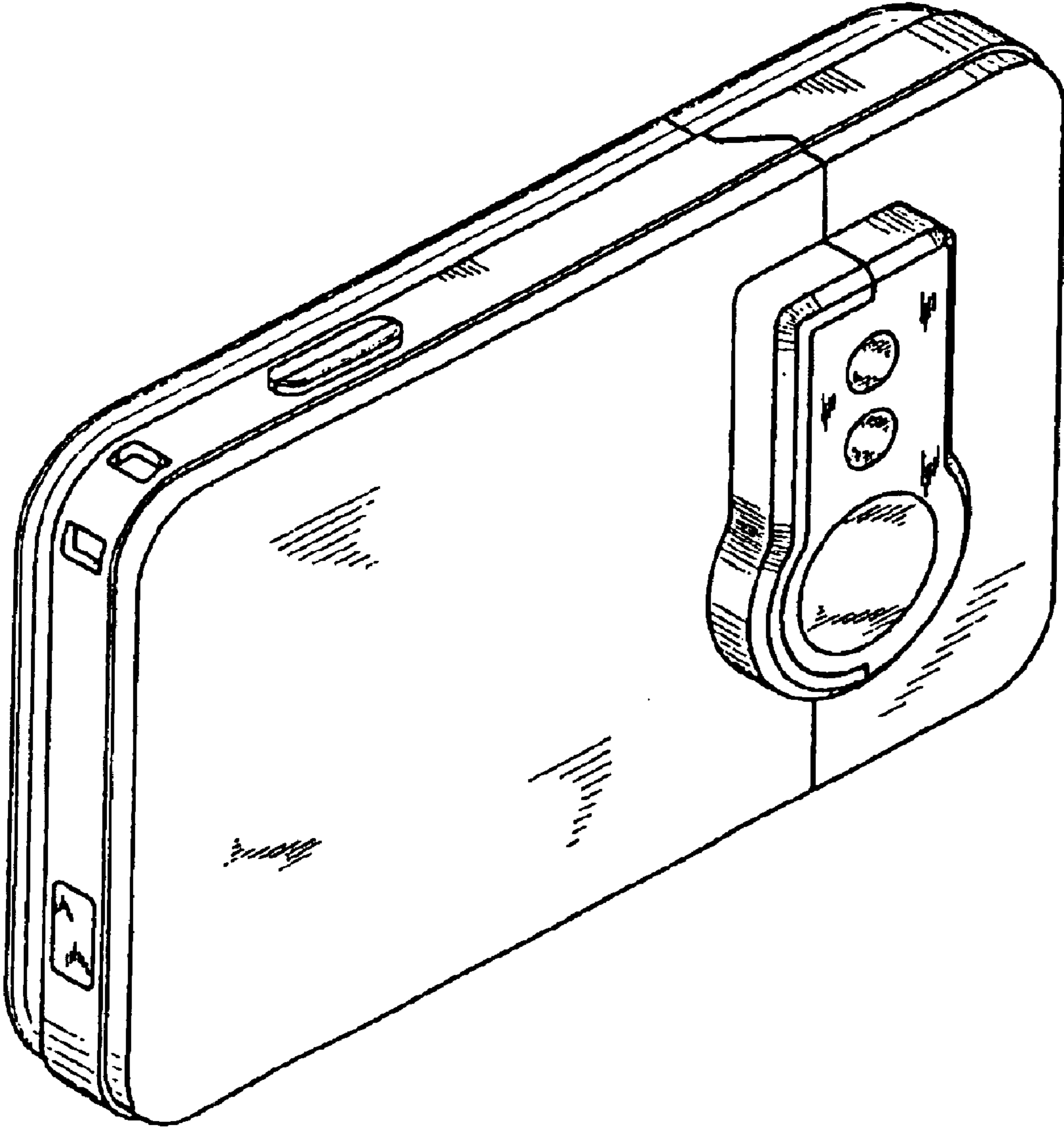


FIG. 1

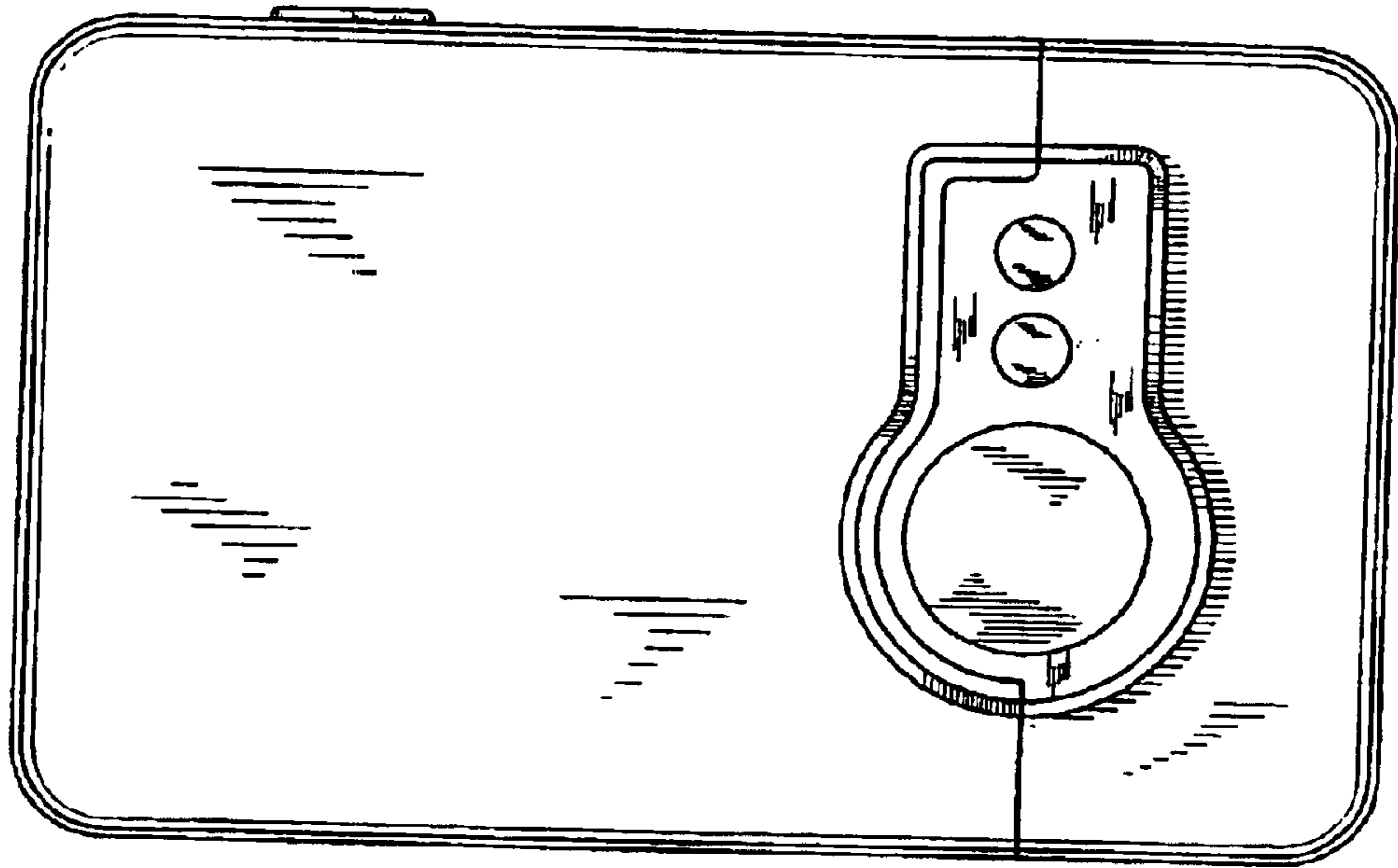


FIG. 2

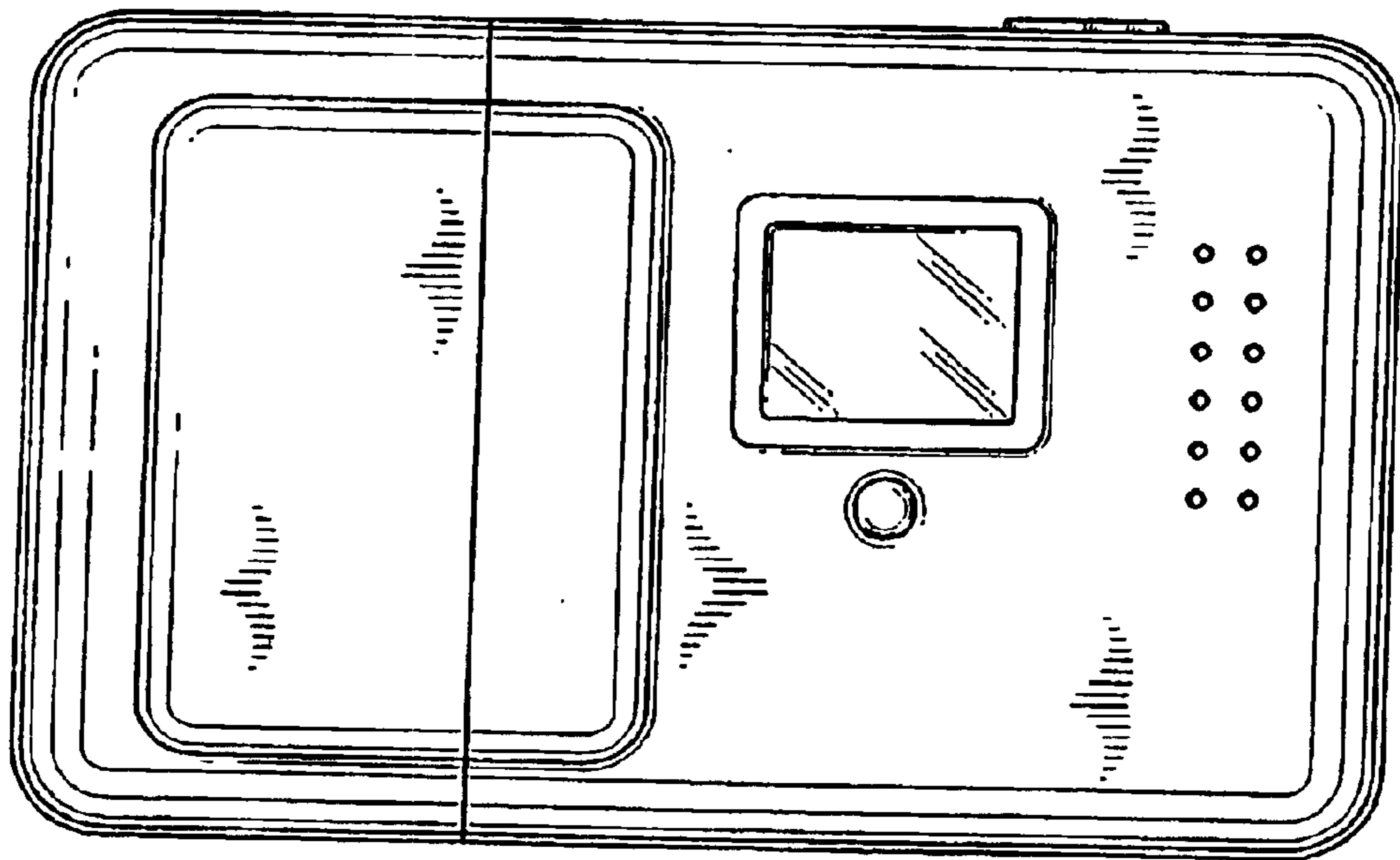


FIG. 3



FIG. 4



FIG. 5

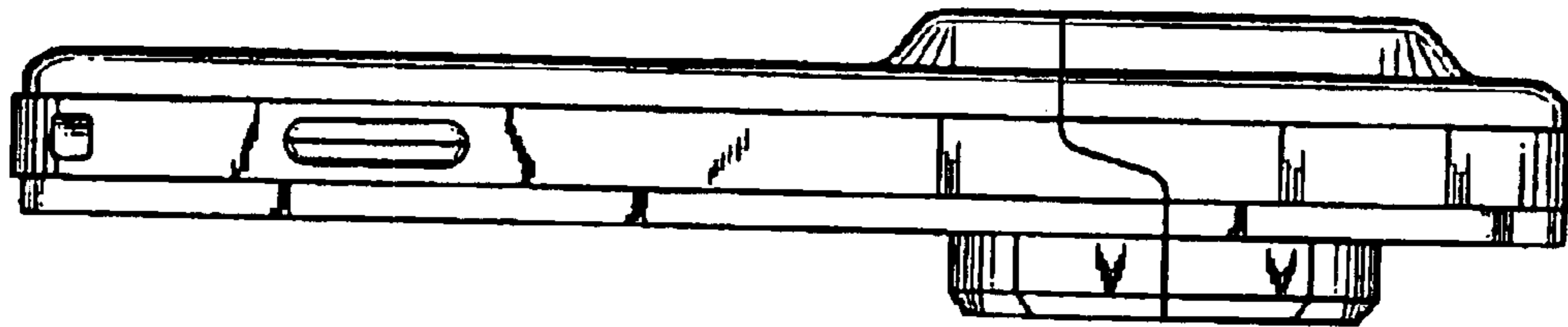


FIG. 6

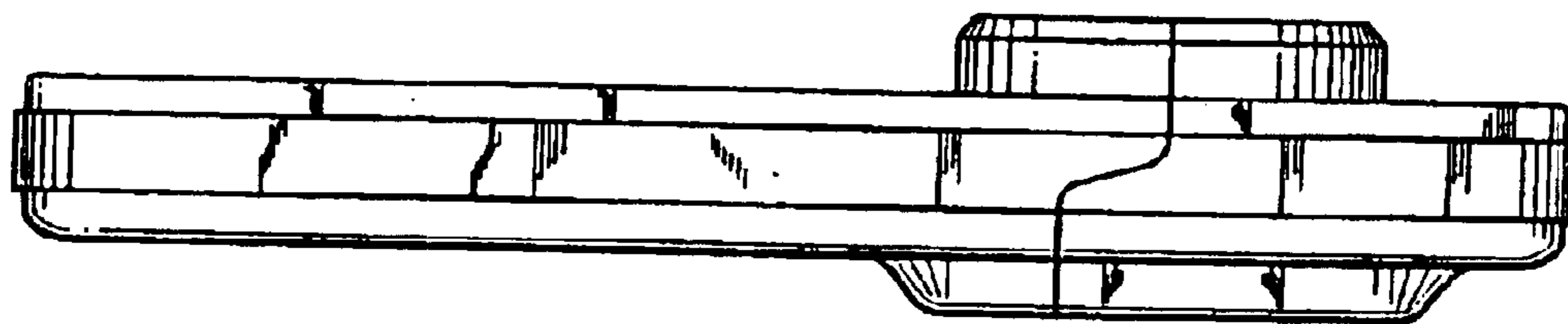


FIG. 7

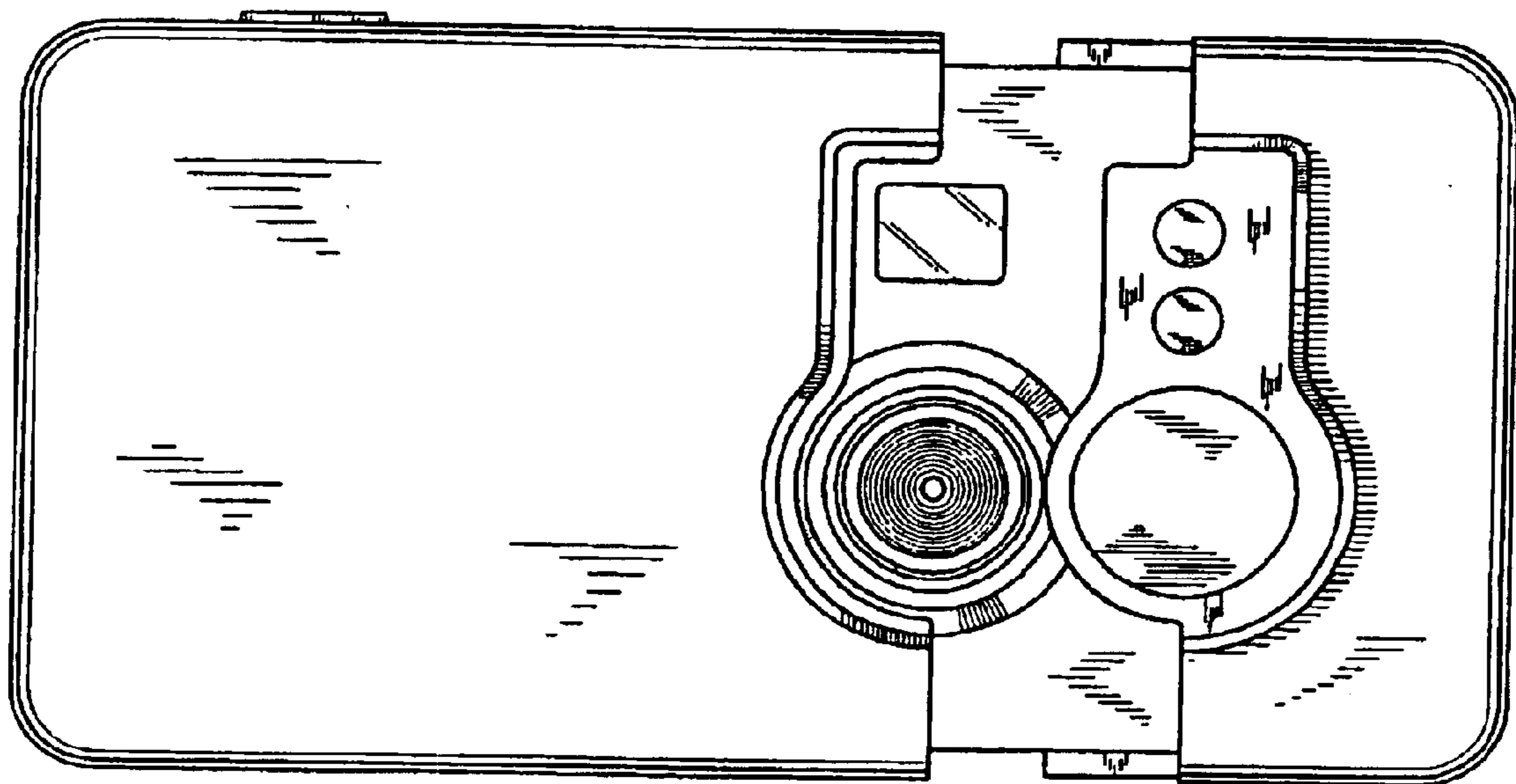


FIG. 8