



US00D494200S1

(12) **United States Design Patent**  
**Hayamizu**

(10) **Patent No.:** **US D494,200 S**  
(45) **Date of Patent:** **\*\* Aug. 10, 2004**

(54) **DIGITAL CAMERA**

(75) Inventor: **Eiji Hayamizu**, Tokyo (JP)

(73) Assignee: **PENTAX Corporation**, Tokyo (JP)

(\*\*) Term: **14 Years**

(21) Appl. No.: **29/187,869**

(22) Filed: **Aug. 11, 2003**

(30) **Foreign Application Priority Data**

Feb. 12, 2003 (JP) ..... 2003-003136

(51) **LOC (7) Cl.** ..... **16-01**

(52) **U.S. Cl.** ..... **D16/202; D16/209**

(58) **Field of Search** ..... **D16/200–205,**  
**D16/208, 209, 218; 348/373–376; 358/909.1;**  
**396/176–178, 535–541**

(56) **References Cited**

**U.S. PATENT DOCUMENTS**

- D267,954 S \* 2/1983 Sawara ..... D16/209
- D397,706 S \* 9/1998 Shibata ..... D16/202
- D416,270 S \* 11/1999 Harata ..... D16/202
- D430,187 S \* 8/2000 Naito ..... D16/218
- D444,161 S \* 6/2001 Nakamura ..... D16/202
- D462,705 S \* 9/2002 Hamamura ..... D16/202
- D471,220 S \* 3/2003 Hamamura ..... D16/202
- D480,742 S \* 10/2003 Chin ..... D16/202

D486,508 S \* 2/2004 Shimobayashi ..... D16/202

\* cited by examiner

*Primary Examiner*—Adir Aronovich

(74) *Attorney, Agent, or Firm*—Sughrue Mion, PLLC

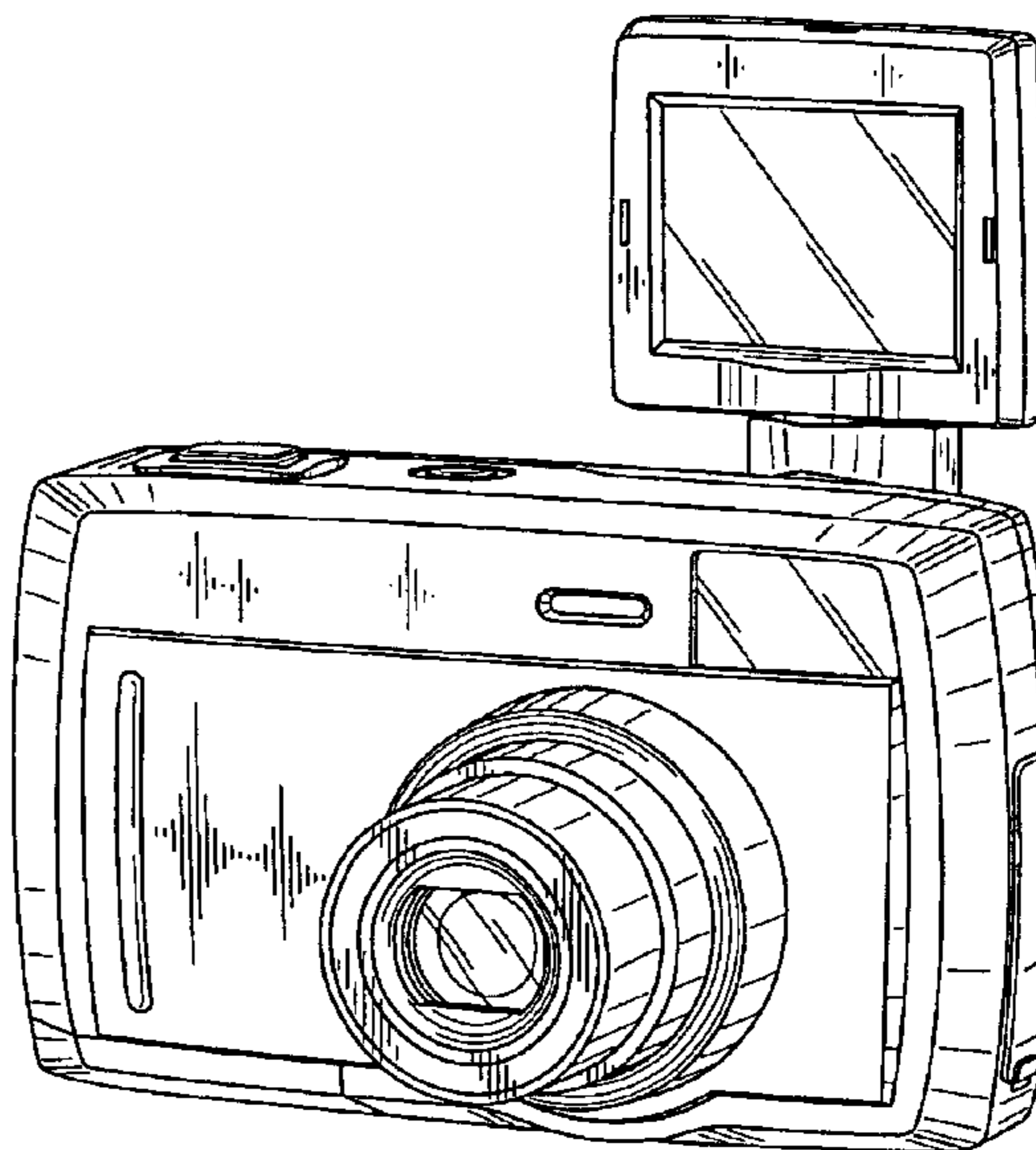
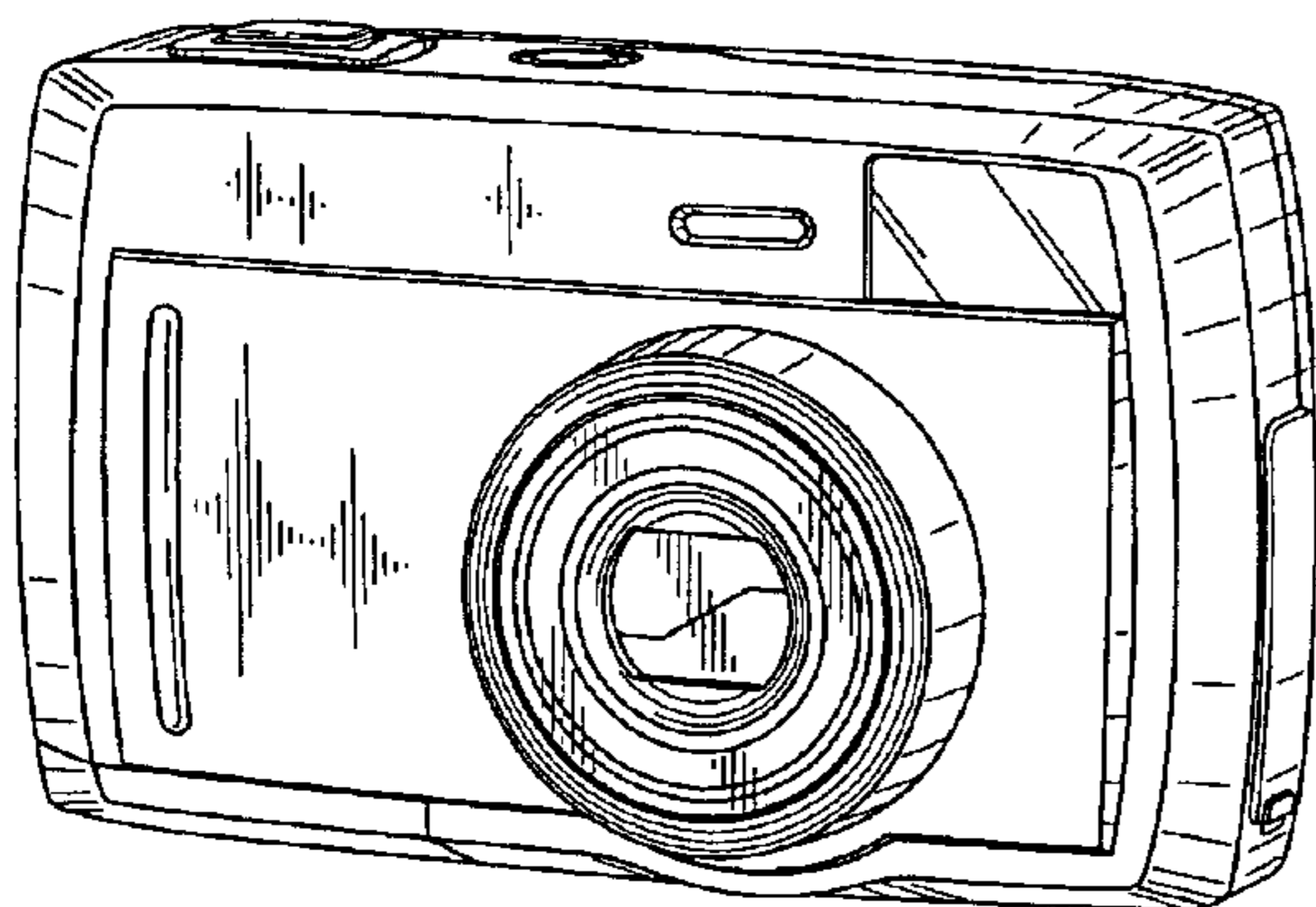
(57) **CLAIM**

The ornamental design for a digital camera, as shown and described.

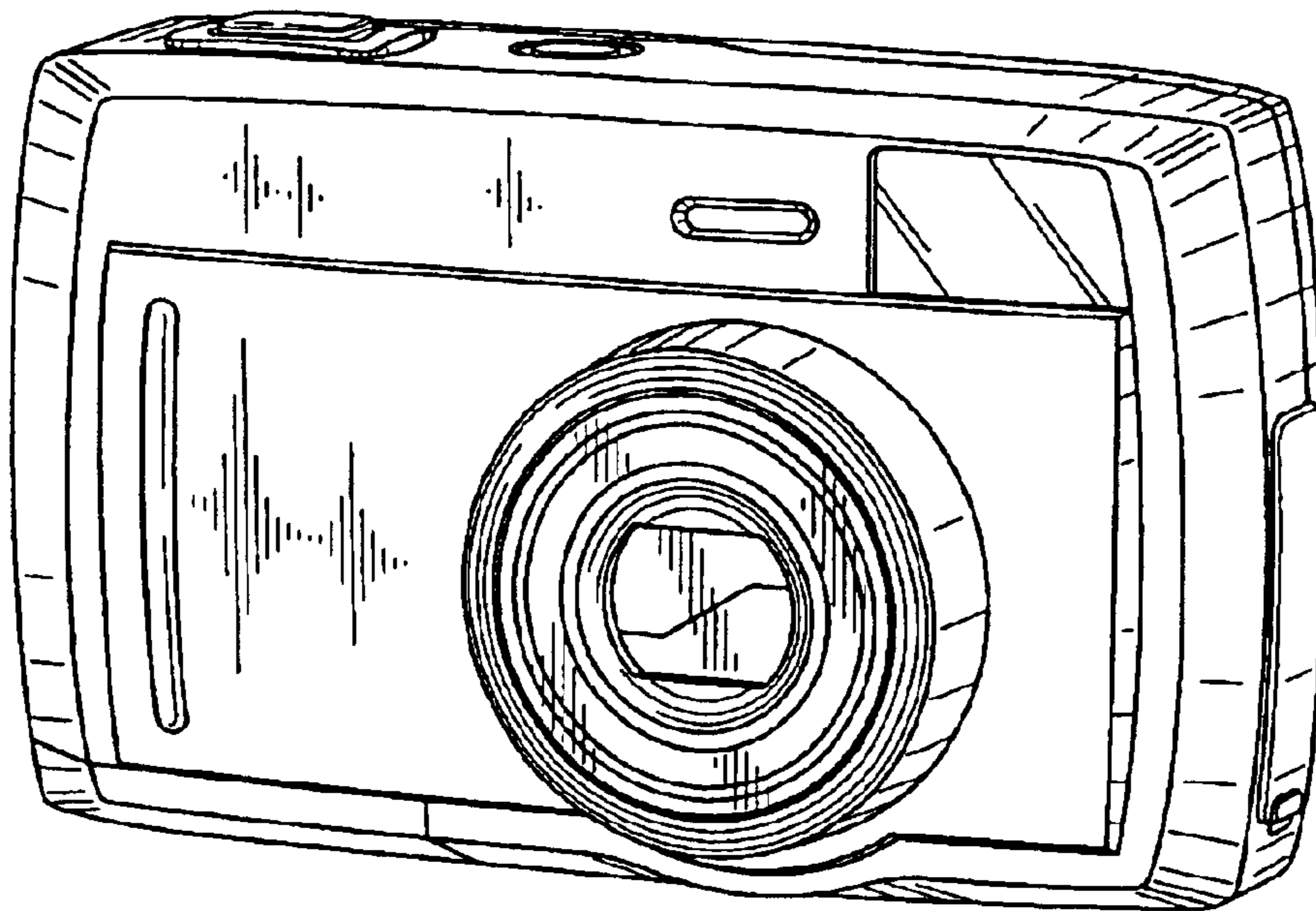
**DESCRIPTION**

FIG. 1 is a perspective view of the top, front and right side of a digital camera showing my new design;  
 FIG. 2 is a front elevational view thereof;  
 FIG. 3 is a top plan view thereof;  
 FIG. 4 is a left side elevational view thereof;  
 FIG. 5 is a right side elevational view thereof;  
 FIG. 6 is a rear elevational view thereof;  
 FIG. 7 is a bottom plan view thereof;  
 FIG. 8 is a perspective view of the top, front and right side of a digital camera with a flash attached and the lens in the extended position;  
 FIG. 9 is a front elevational view thereof;  
 FIG. 10 is a top plan view thereof;  
 FIG. 11 is a bottom plan view thereof;  
 FIG. 12 is a left side elevational view thereof;  
 FIG. 13 is a right side elevational view thereof; and,  
 FIG. 14 is a rear elevational view thereof.

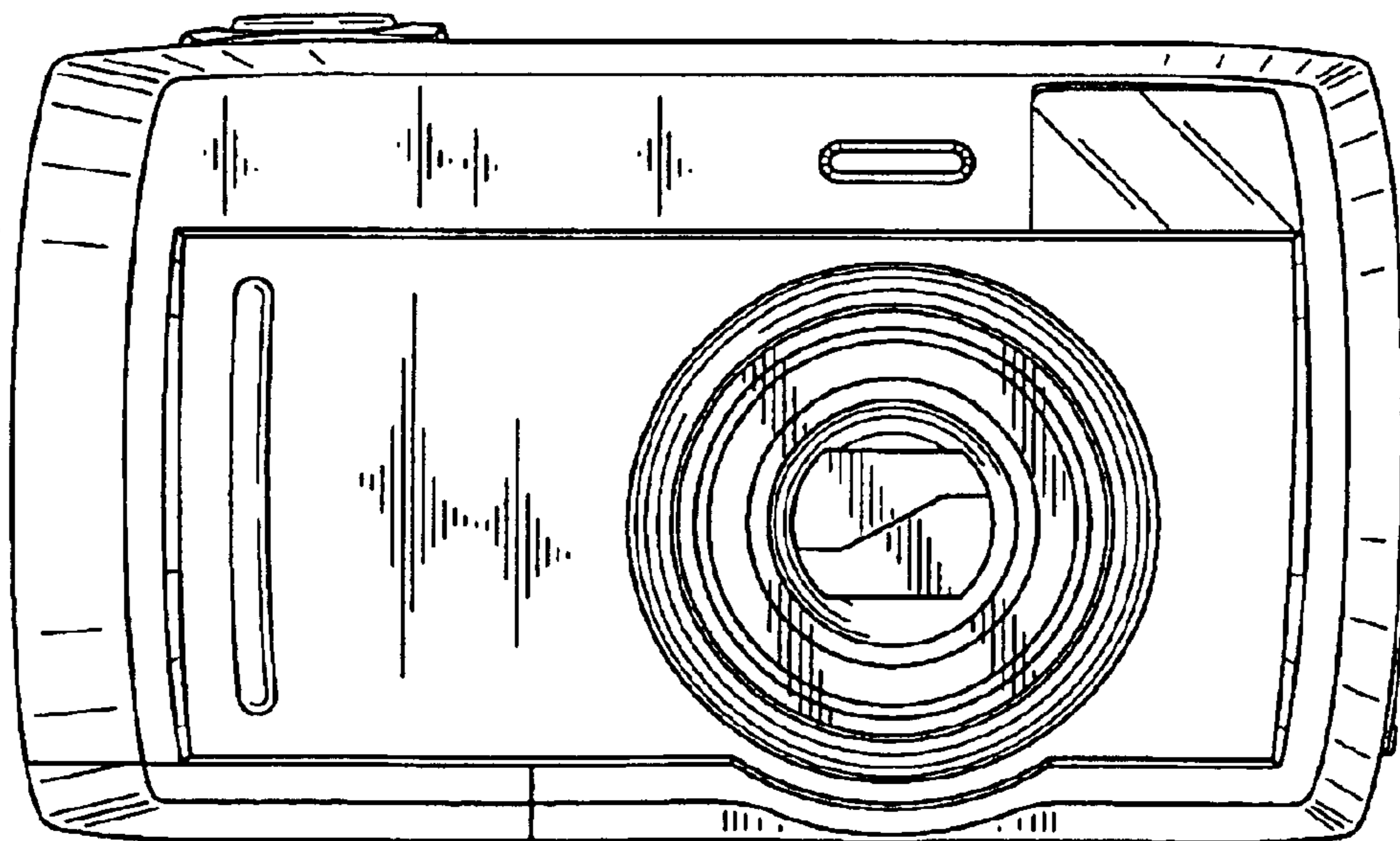
**1 Claim, 8 Drawing Sheets**



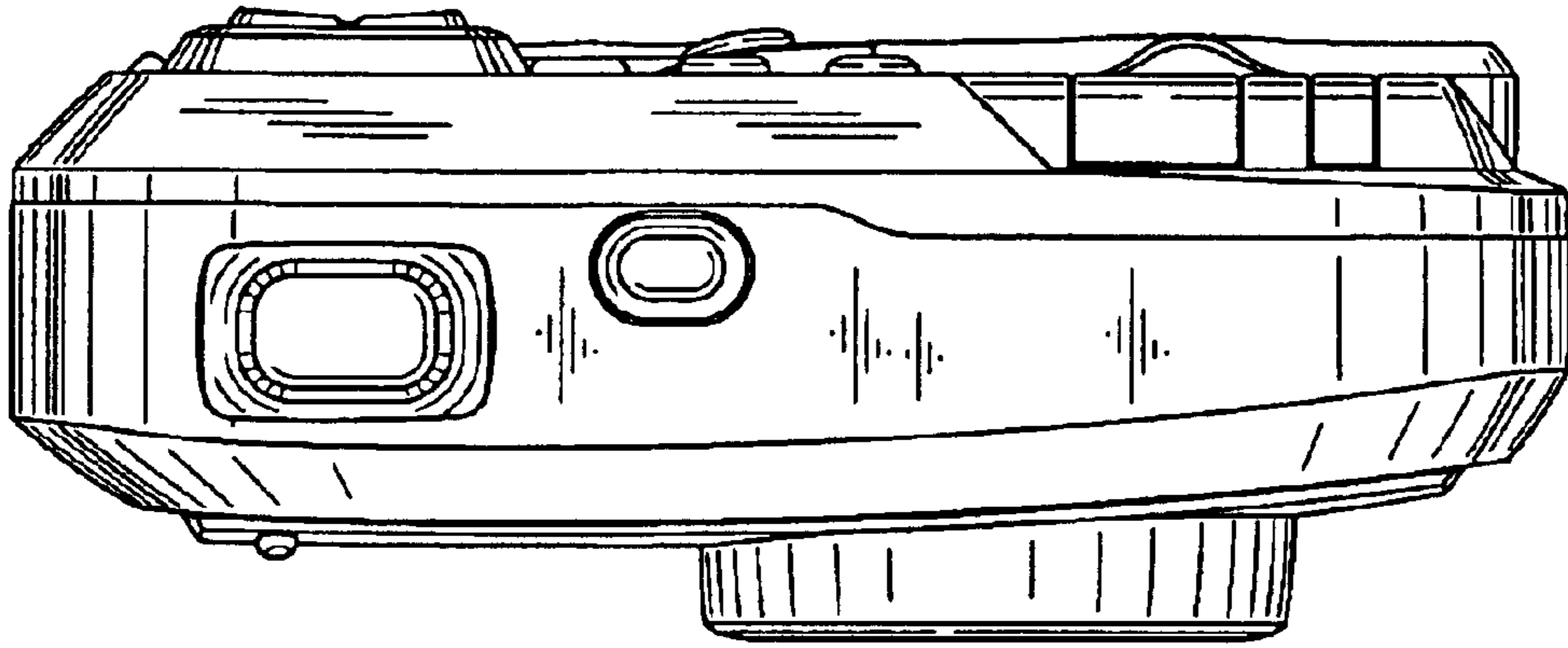
*FIG. 1*



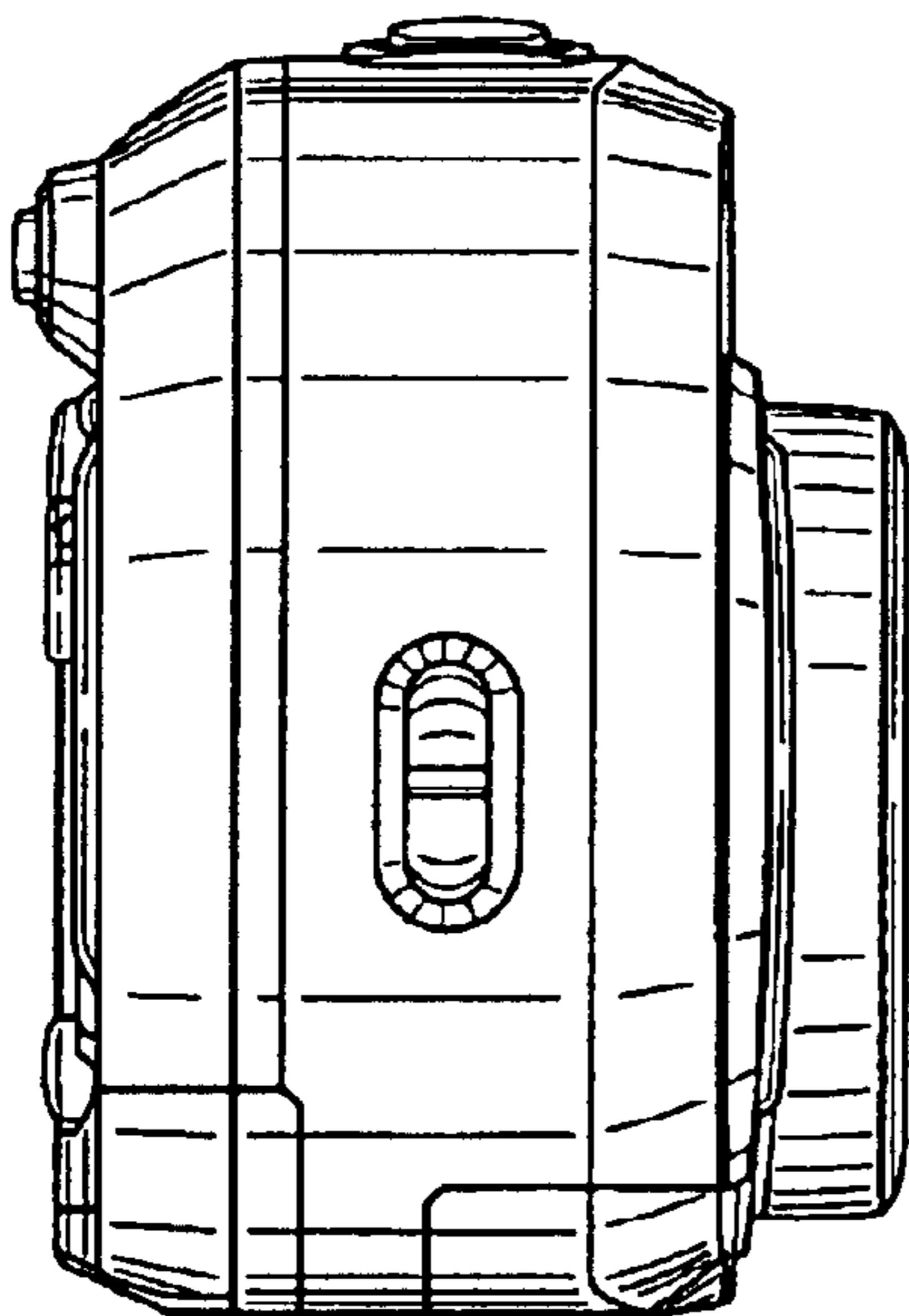
*FIG. 2*



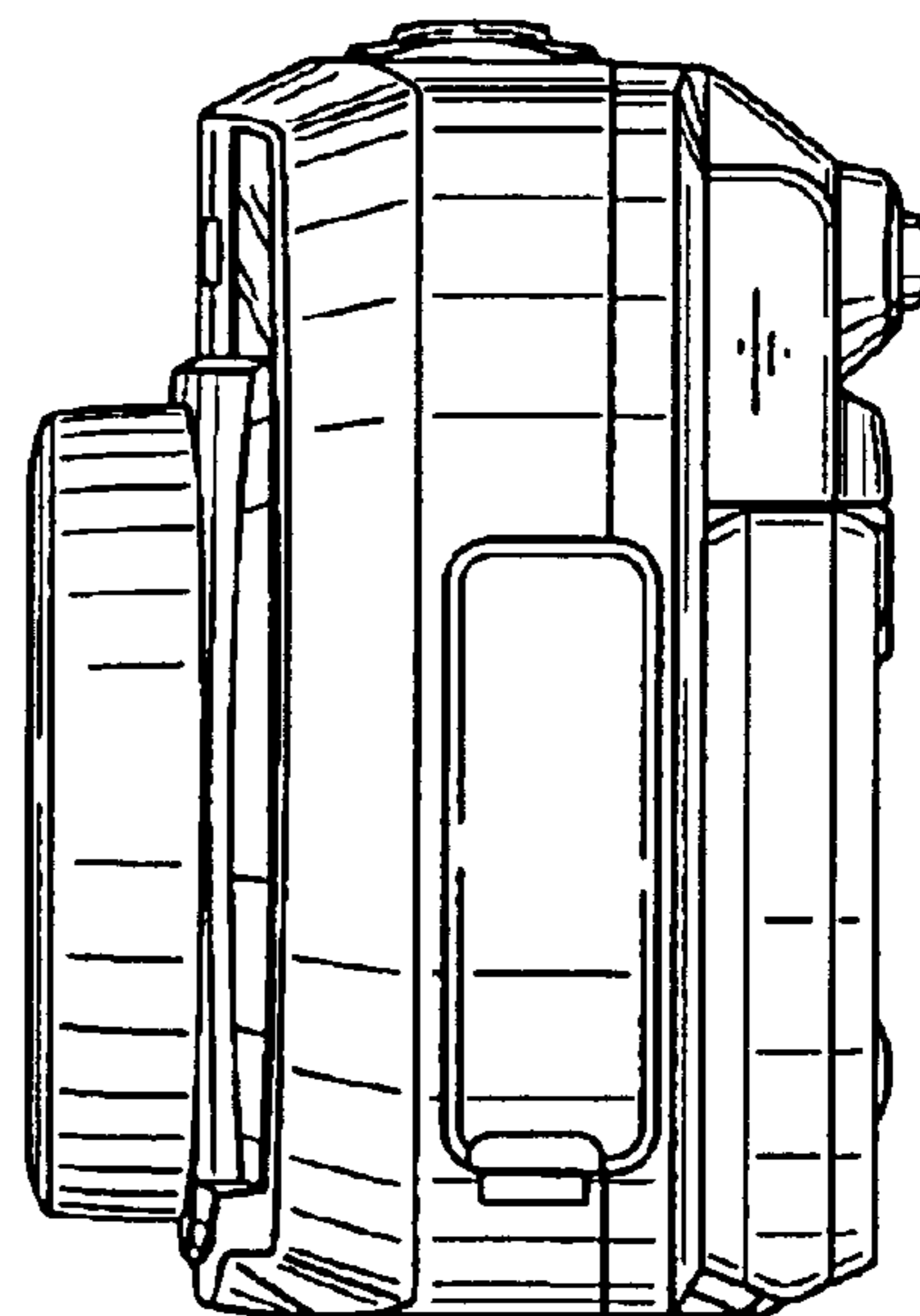
*FIG. 3*



*FIG. 4*

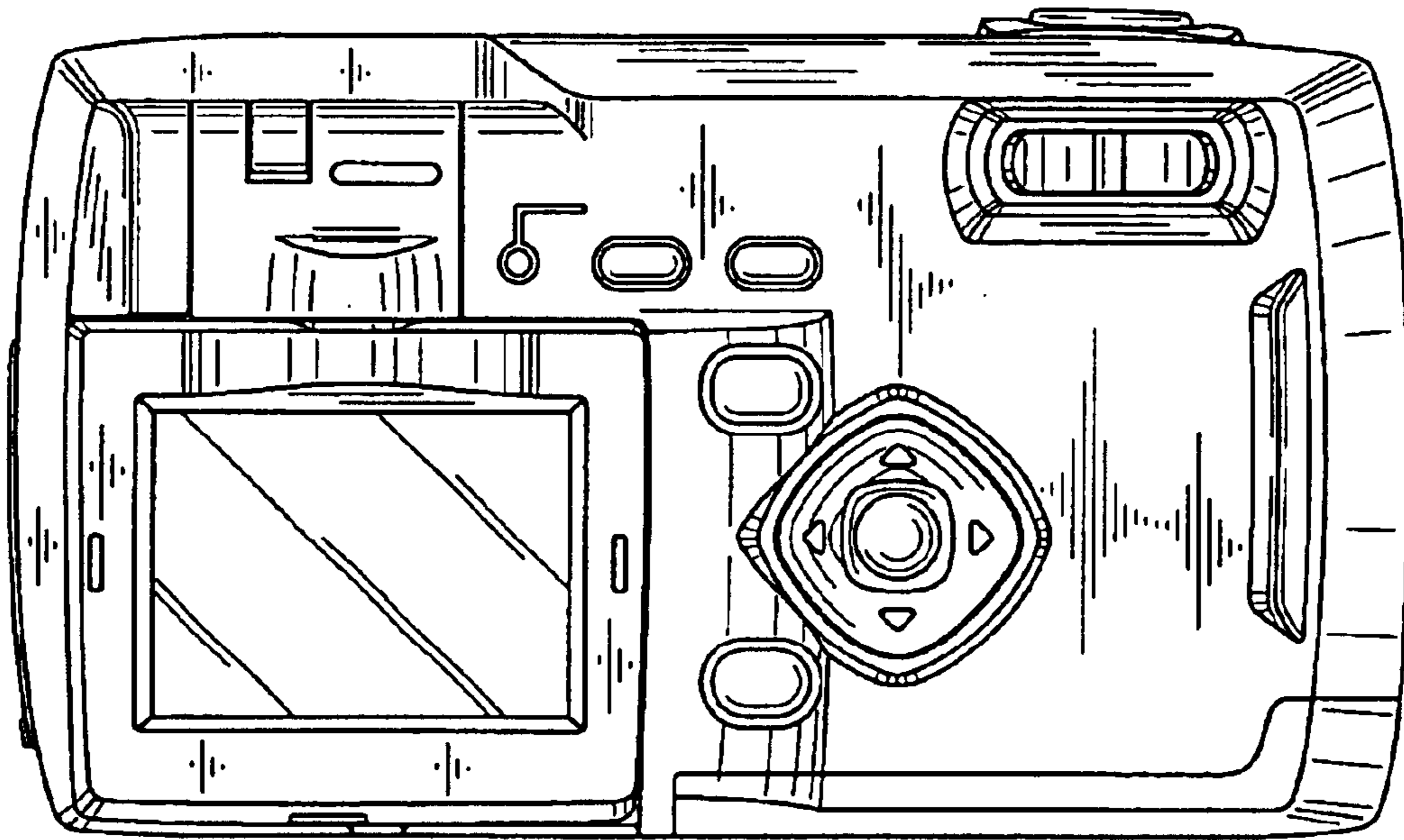


*FIG. 5*

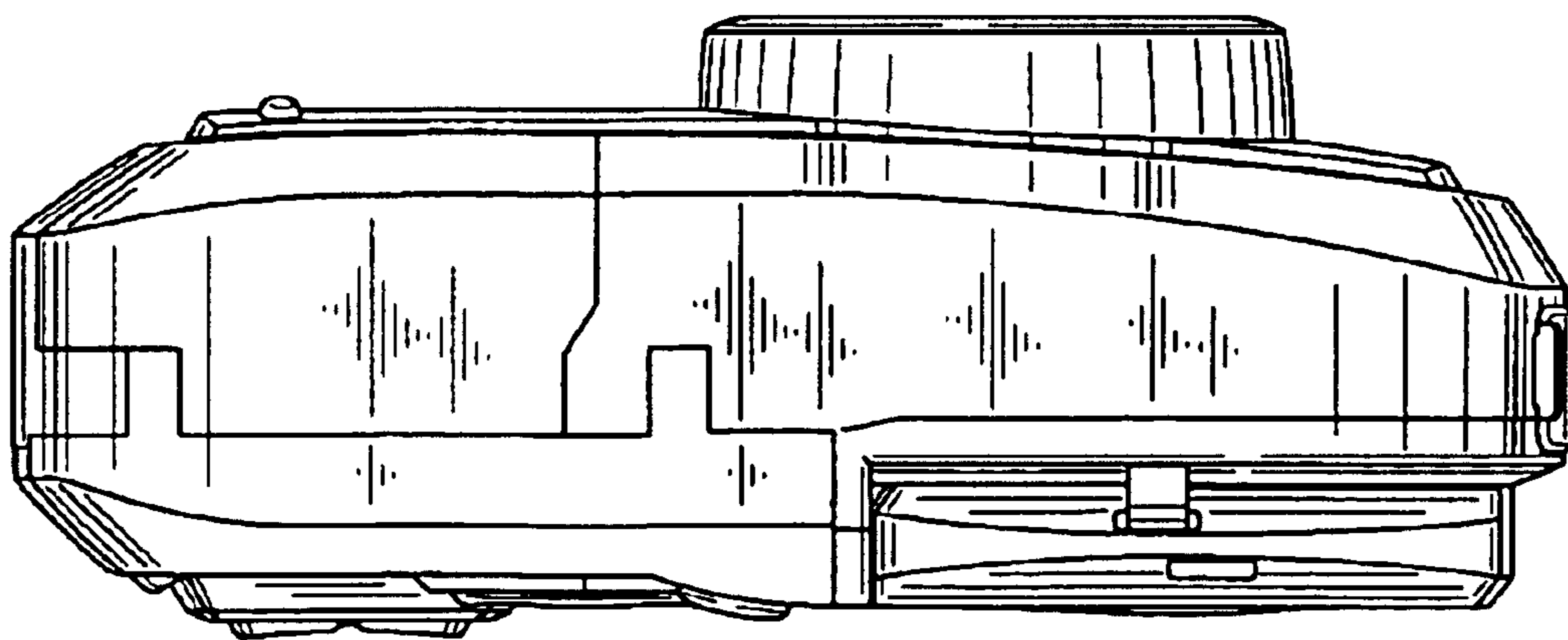




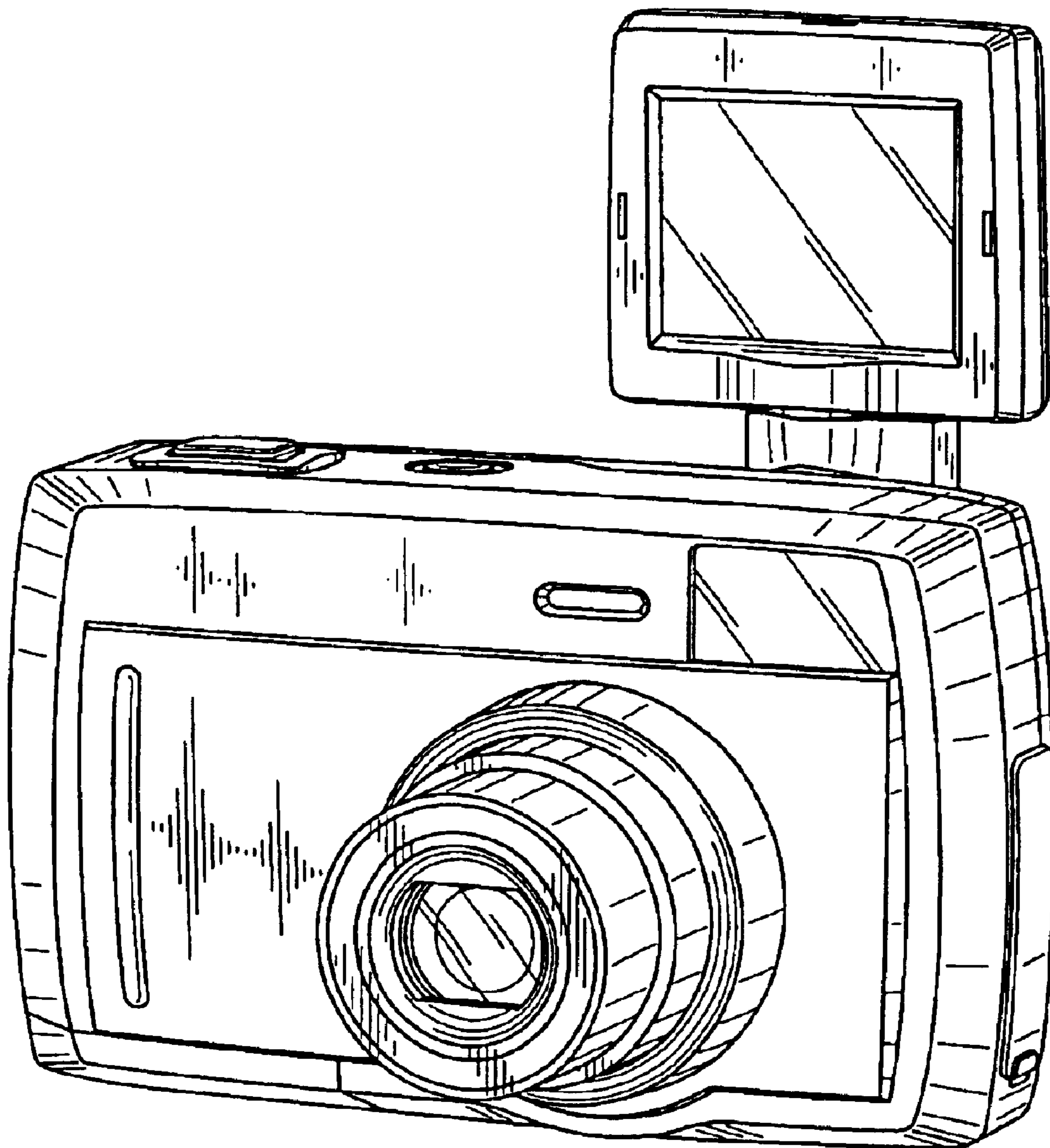
*FIG. 6*



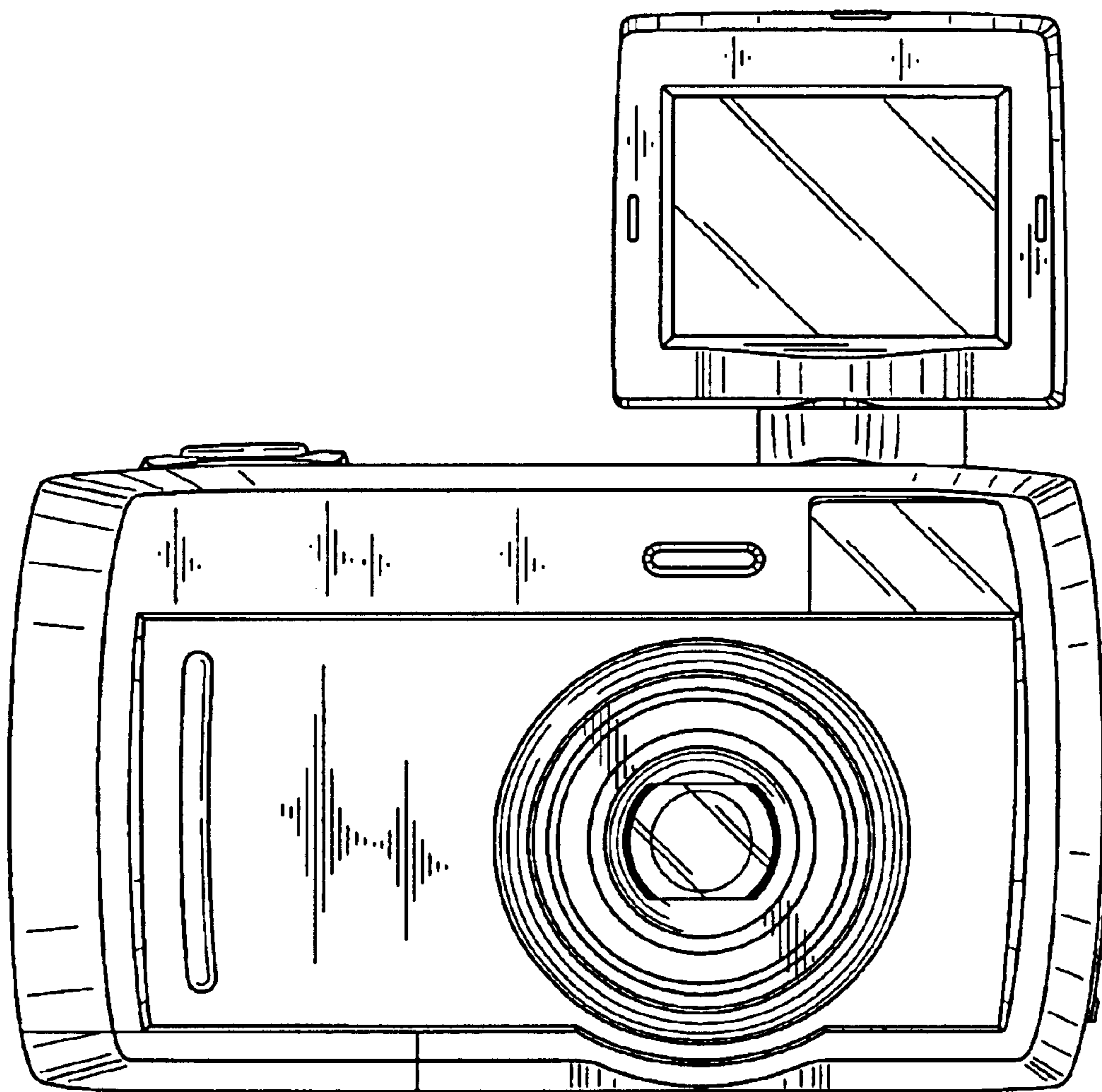
*FIG. 7*



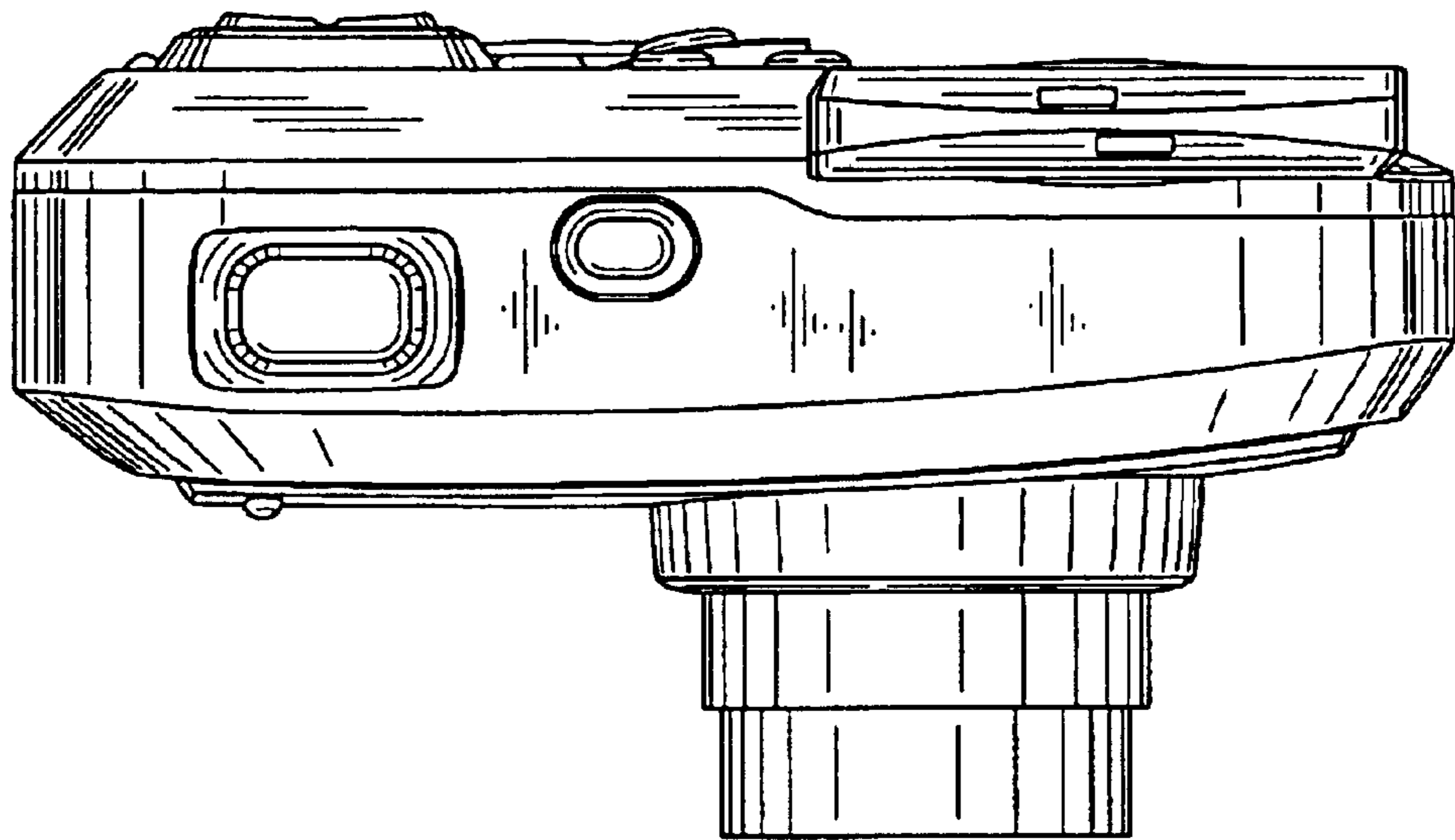
*FIG. 8*



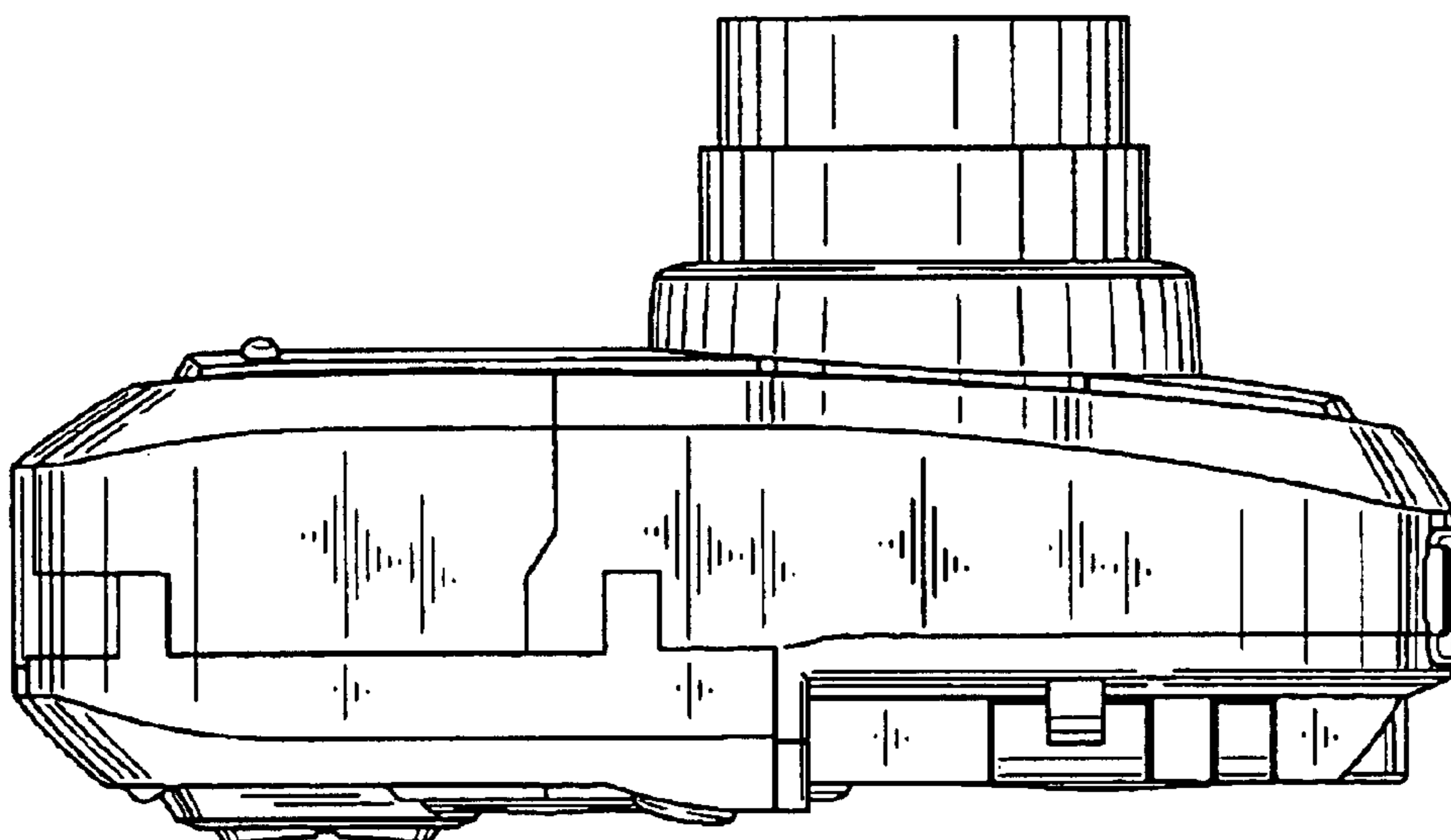
*FIG. 9*



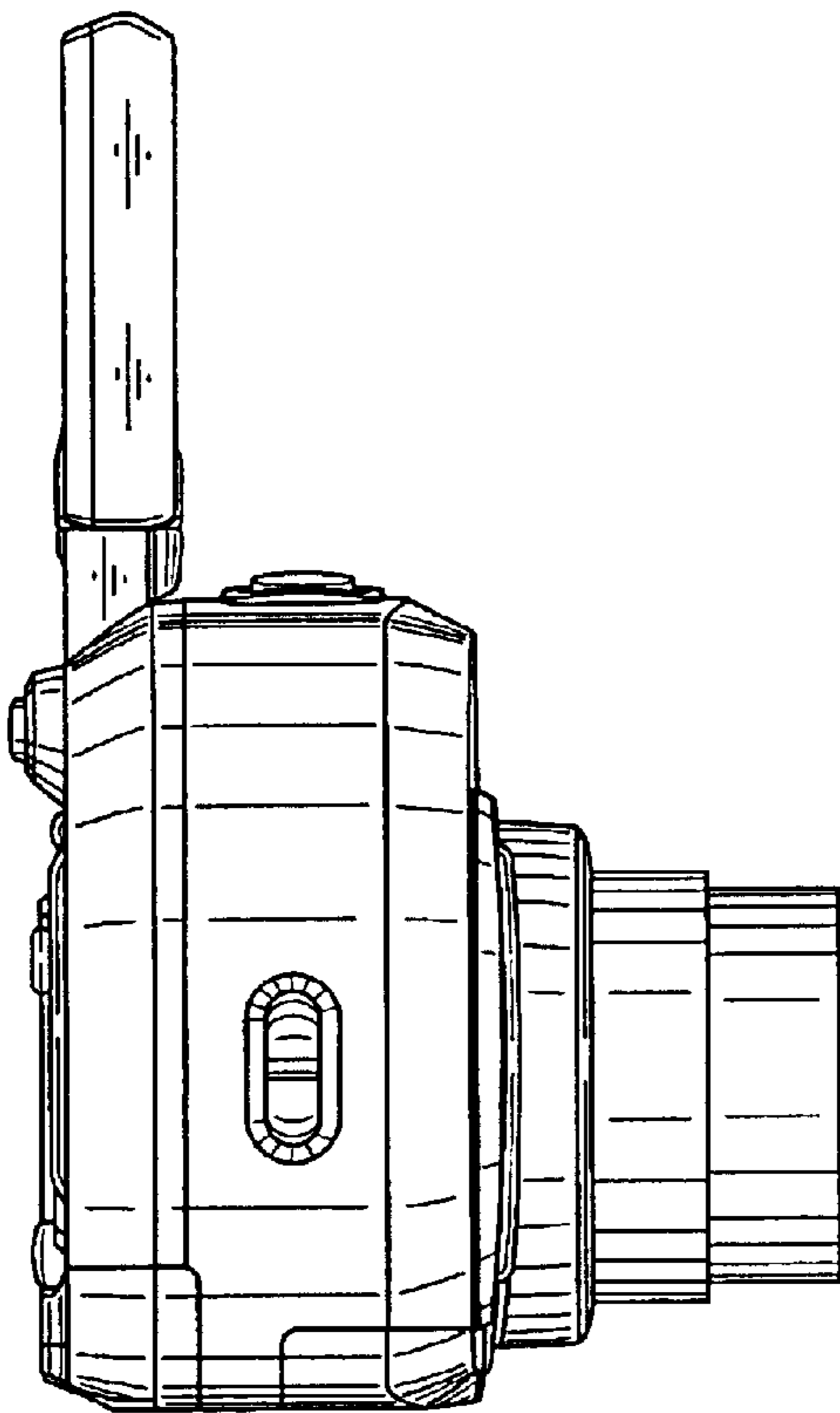
*FIG. 10*



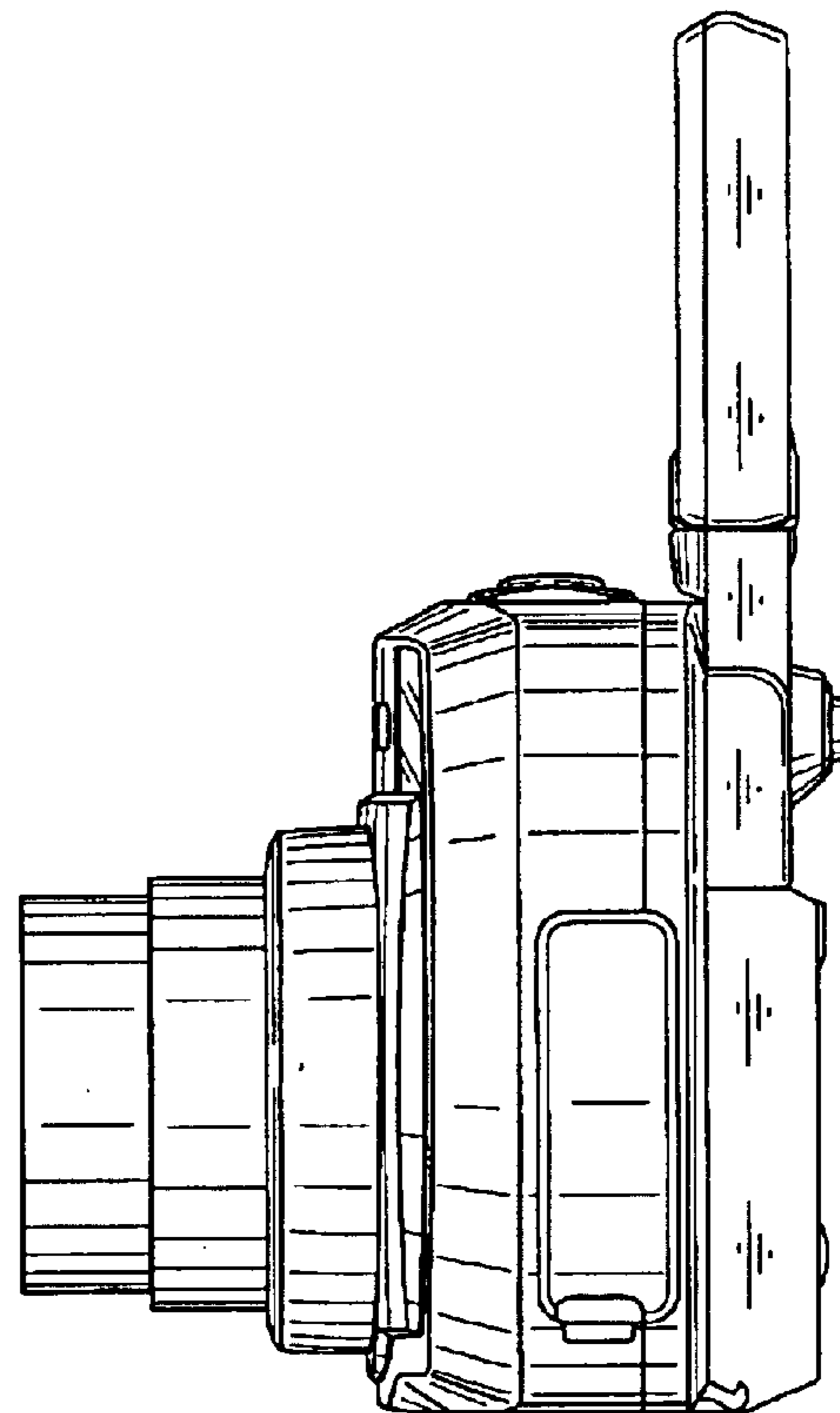
*FIG. 11*



*FIG. 12*



*FIG. 13*





*FIG. 14*

