

US00D494199S1

(12) **United States Design Patent**
Gingerella

(10) **Patent No.:** **US D494,199 S**

(45) **Date of Patent:** **** Aug. 10, 2004**

- (54) **GEM MICROSCOPE BASE**
- (75) Inventor: **Sherman Gingerella**, Carlsbad, CA (US)
- (73) Assignee: **Gemological Institute of America, Inc.**, Carlsbad, CA (US)
- (**) Term: **14 Years**
- (21) Appl. No.: **29/190,331**
- (22) Filed: **Sep. 17, 2003**
- (51) **LOC (7) Cl.** **16-06**
- (52) **U.S. Cl.** **D16/131**
- (58) **Field of Search** D16/130, 131;
359/369, 376, 391, 382, 383, 384, 399,
405, 407, 419, 430; 356/246; 396/326,
432, 267

- 3,798,665 A * 3/1974 Eloranta et al. 396/432
- D301,586 S * 6/1989 Brock
- 5,076,680 A * 12/1991 Arjarasumpun 359/391
- D367,869 S * 3/1996 Hofmann-Igl et al. D16/131

* cited by examiner

Primary Examiner—Paula A. Greene

(74) *Attorney, Agent, or Firm*—Gray Cary Ware & Freidenrich

(57) **CLAIM**

The ornamental design for a gem microscope base, as shown and described.

DESCRIPTION

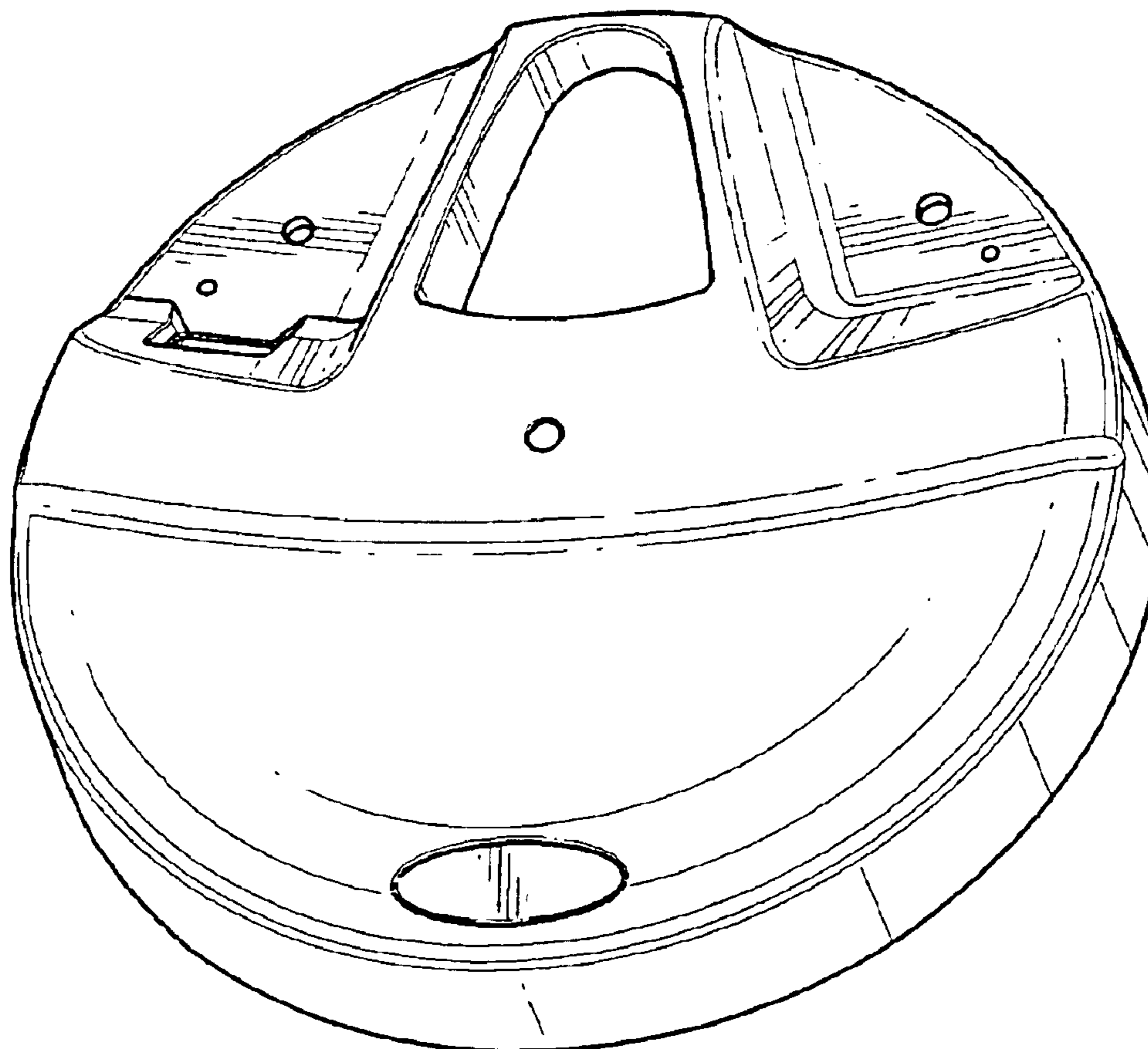
FIG. 1 is a perspective view of a gem microscope having a gem microscope base;
 FIG. 2 is a perspective view of a gem microscope base;
 FIG. 3 is a top view of the gem microscope base;
 FIG. 4 is a front end view of the gem microscope base;
 FIG. 5 is a right side view of the gem microscope base; and,
 FIG. 6 is a rear end view of the gem microscope base.
 The broken line showing of the microscope is for illustrative purposes only and forms no part of the claimed design.

(56) **References Cited**

U.S. PATENT DOCUMENTS

- 2,967,456 A * 1/1961 Maier 396/326
- D215,889 S * 11/1969 Suzuki D16/131
- 3,572,884 A * 3/1971 Chirayath 359/369

1 Claim, 3 Drawing Sheets



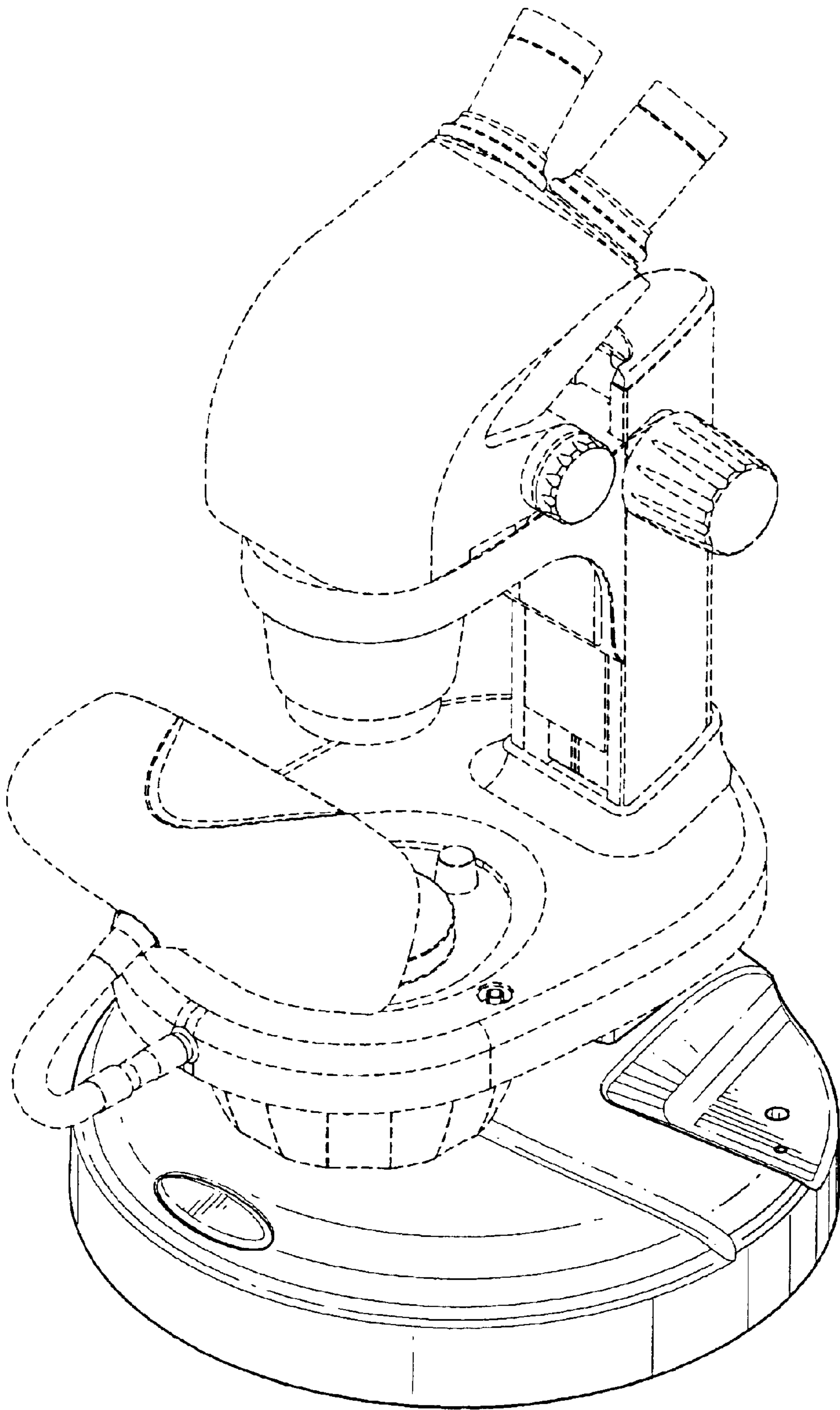


FIG. 1

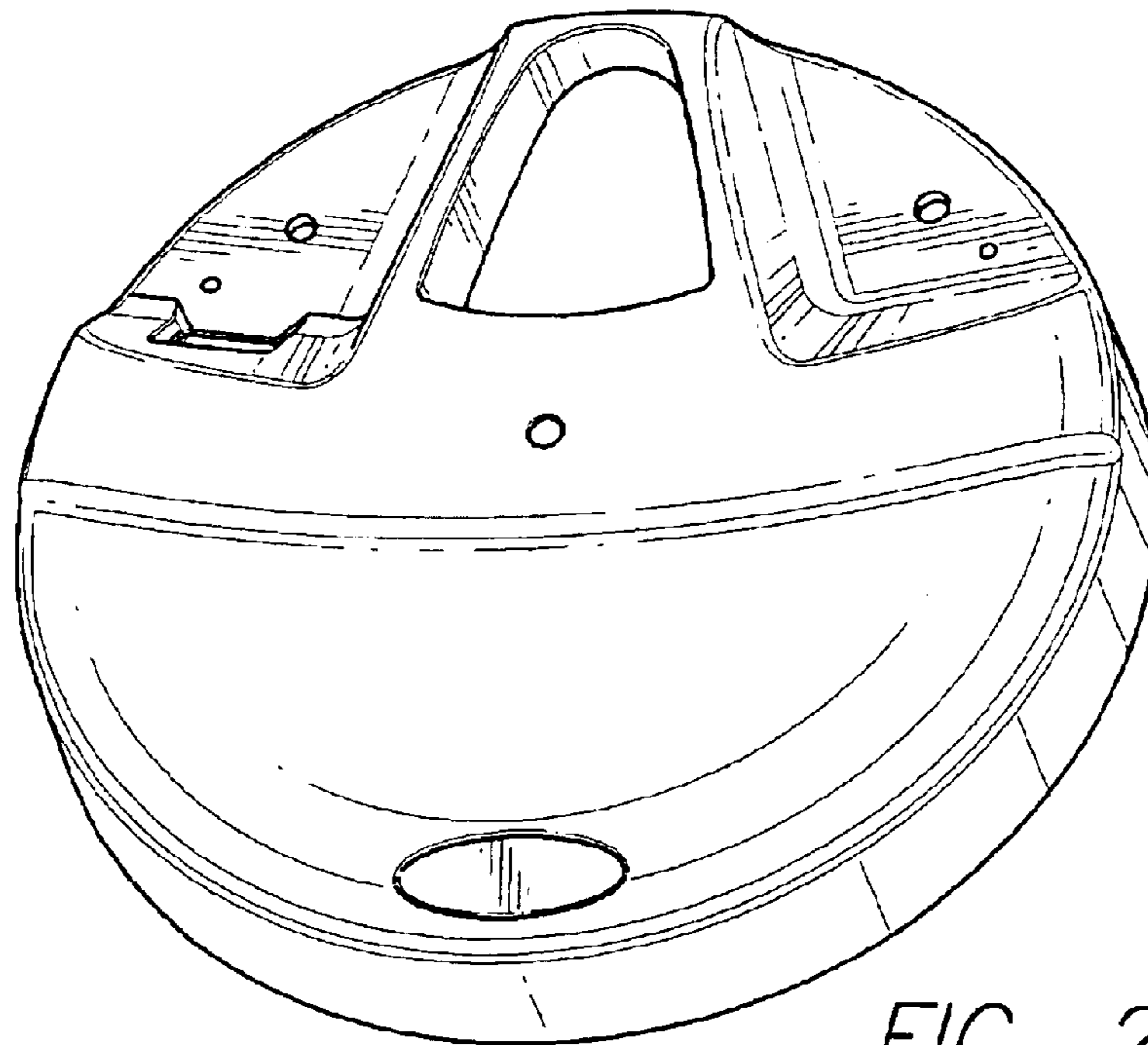


FIG. 2

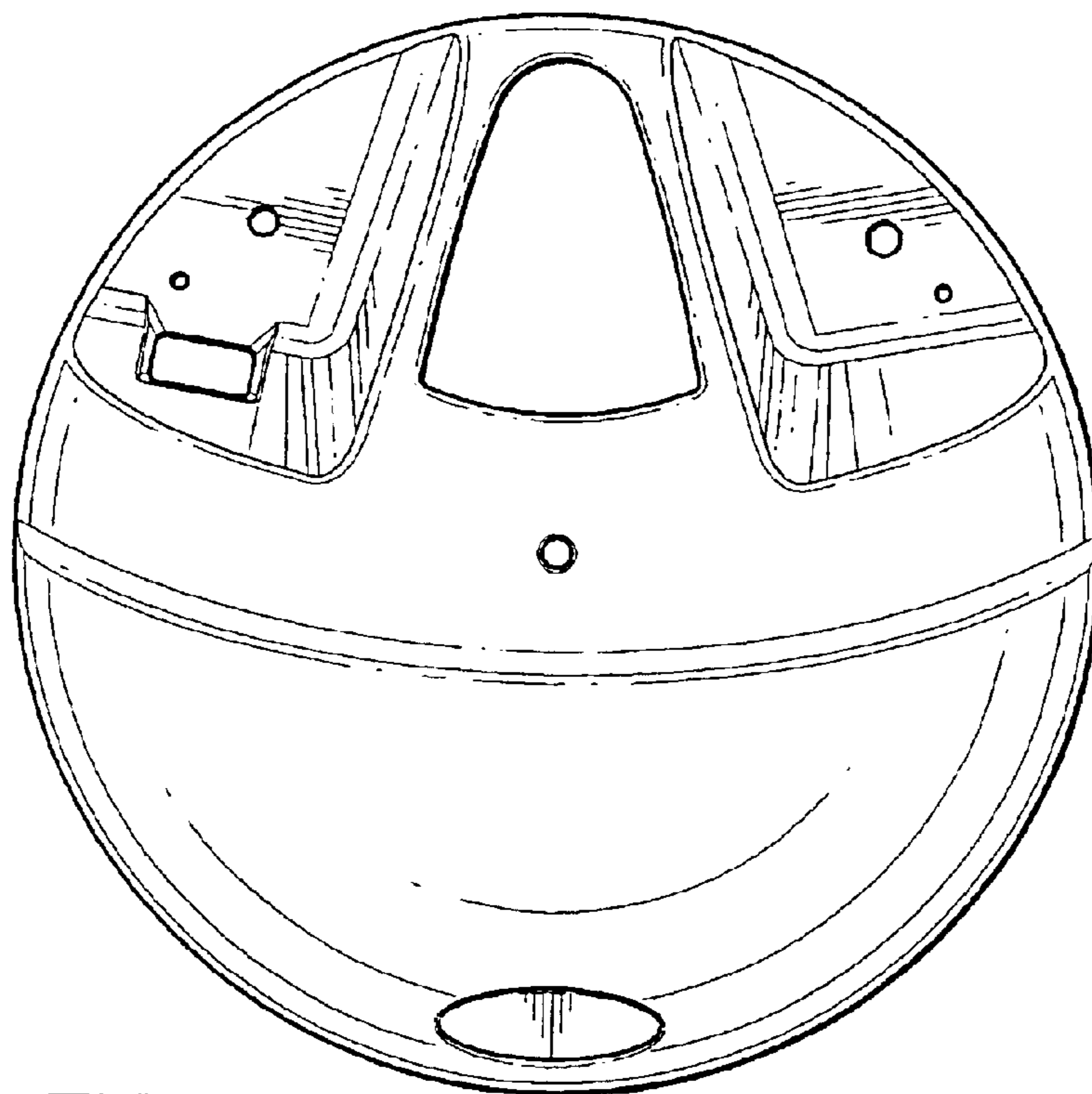


FIG. 3

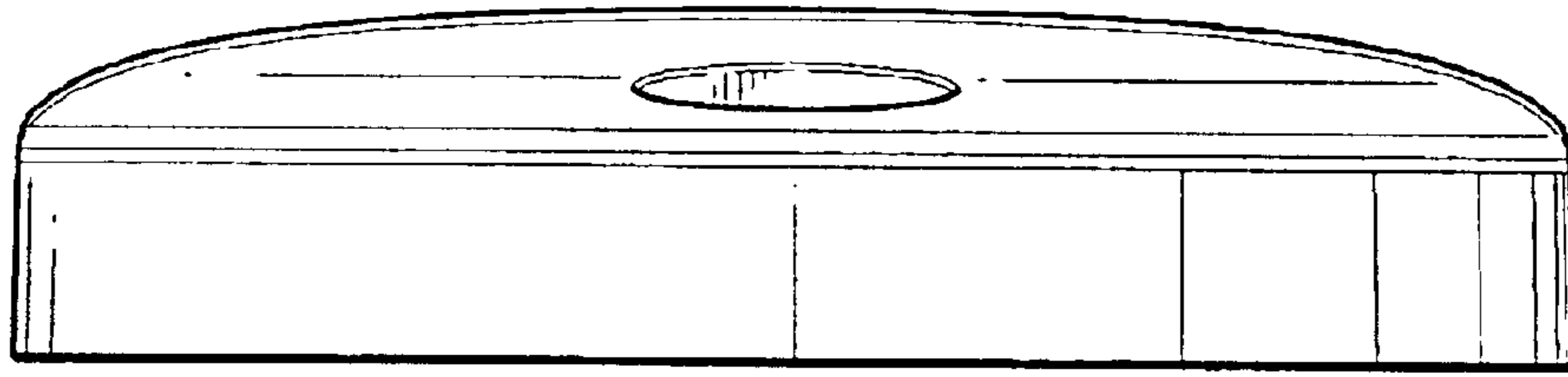


FIG. 4

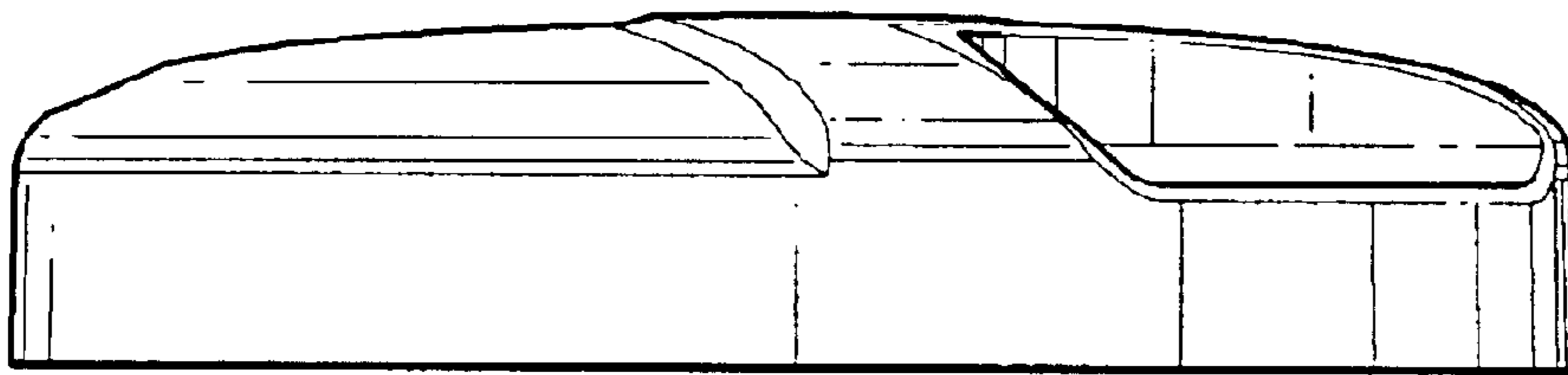


FIG. 5

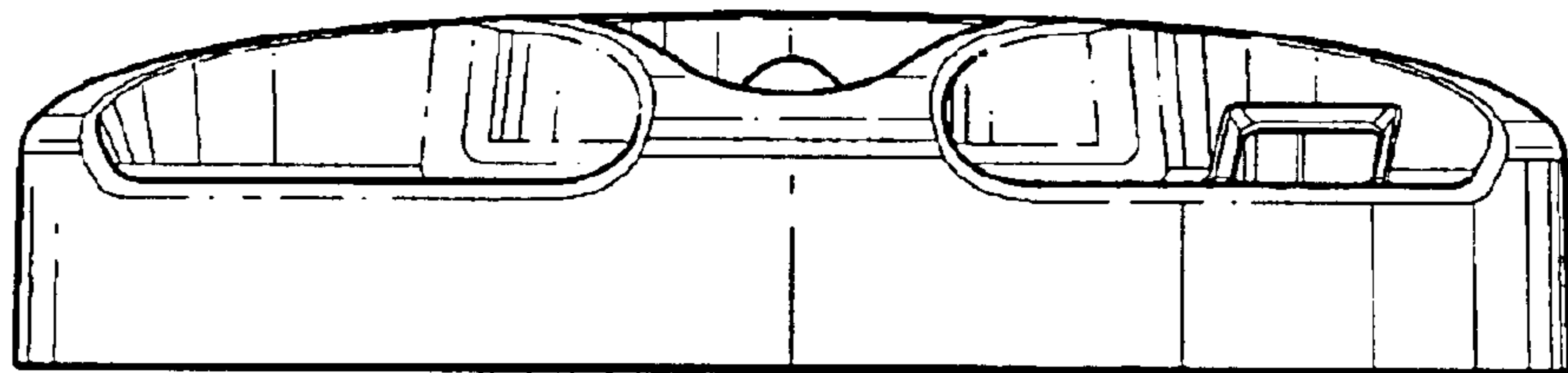


FIG. 6