



US00D494197S1

(12) **United States Design Patent** (10) **Patent No.:** **US D494,197 S**  
**Place** (45) **Date of Patent:** **\*\* Aug. 10, 2004**

(54) **SLITTING SAW**

(75) Inventor: **Brent Place**, Hager City, WI (US)

(73) Assignee: **Donato L. Ricci**, Hager City, WI (US)

(\*\*) Term: **14 Years**

(21) Appl. No.: **29/187,114**

(22) Filed: **Jul. 28, 2003**

(51) **LOC (7) Cl.** ..... **15-09**

(52) **U.S. Cl.** ..... **D15/133**

(58) **Field of Search** ..... D15/133; 72/69,  
72/132; 83/194, 185

(56) **References Cited**

**U.S. PATENT DOCUMENTS**

- 4,951,493 A \* 8/1990 Fragge et al. .... 72/69
- 5,477,717 A \* 12/1995 Skrebergene et al. .... 72/49
- 6,688,200 B1 \* 2/2004 Borzym ..... 83/186

\* cited by examiner

*Primary Examiner*—Antoine D. Davis

(74) *Attorney, Agent, or Firm*—Thomas J. Nikolai; Nikolai & Mersereau, P.A.

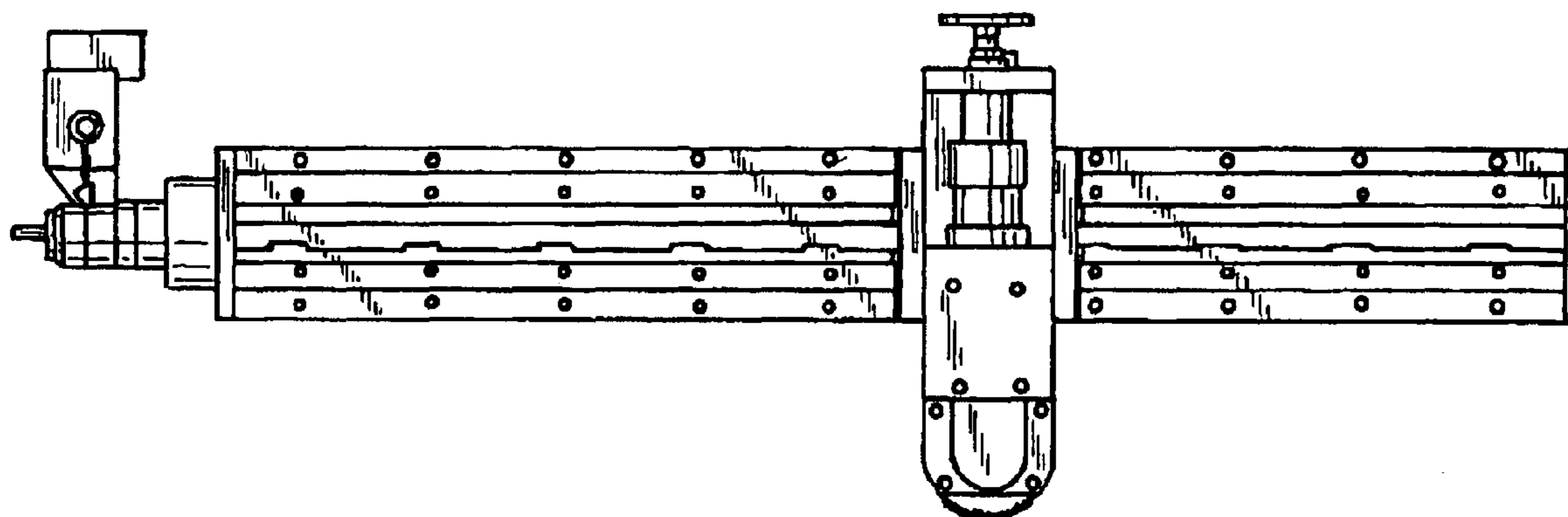
(57) **CLAIM**

The ornamental design for the “slitting saw,” as shown and described.

**DESCRIPTION**

FIG. 1 is a top elevational view of the slitting saw showing my design;  
 FIG. 2 is a bottom elevational view thereof;  
 FIG. 3 is a right side elevational view thereof;  
 FIG. 4 is a inverted left side elevational view thereof;  
 FIG. 5 is a rear elevational view thereof;  
 FIG. 6 is a front elevational view thereof; and,  
 FIG. 7 is a perspective view thereof.

**1 Claim, 4 Drawing Sheets**



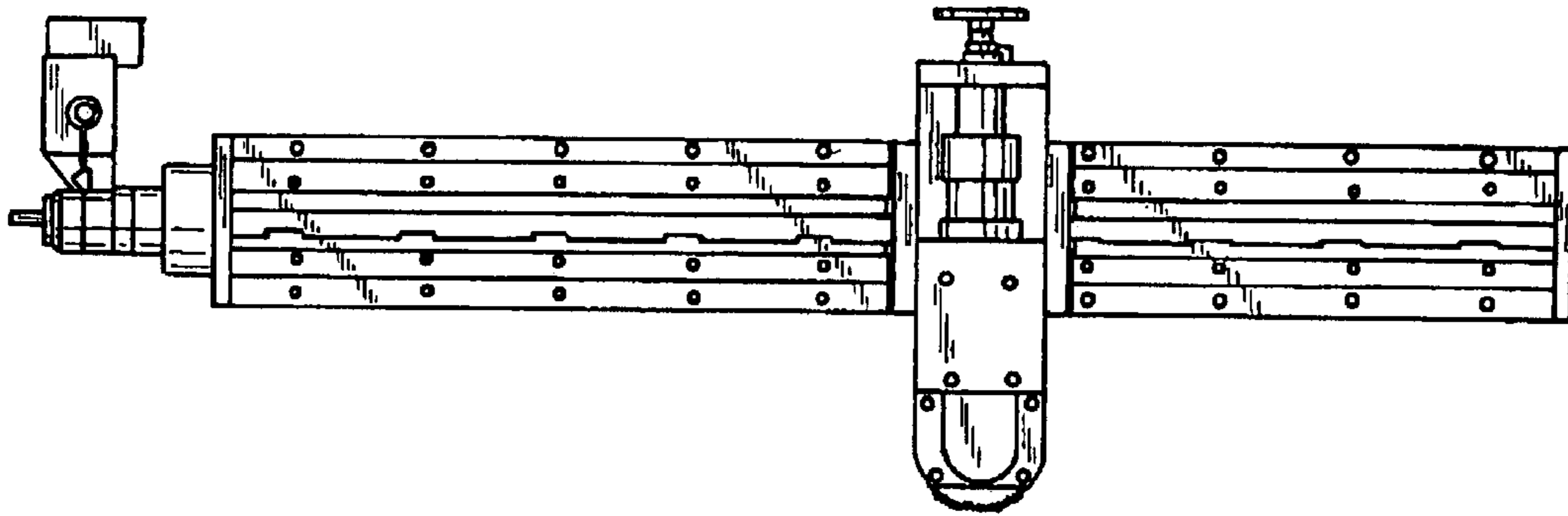


FIG. 1

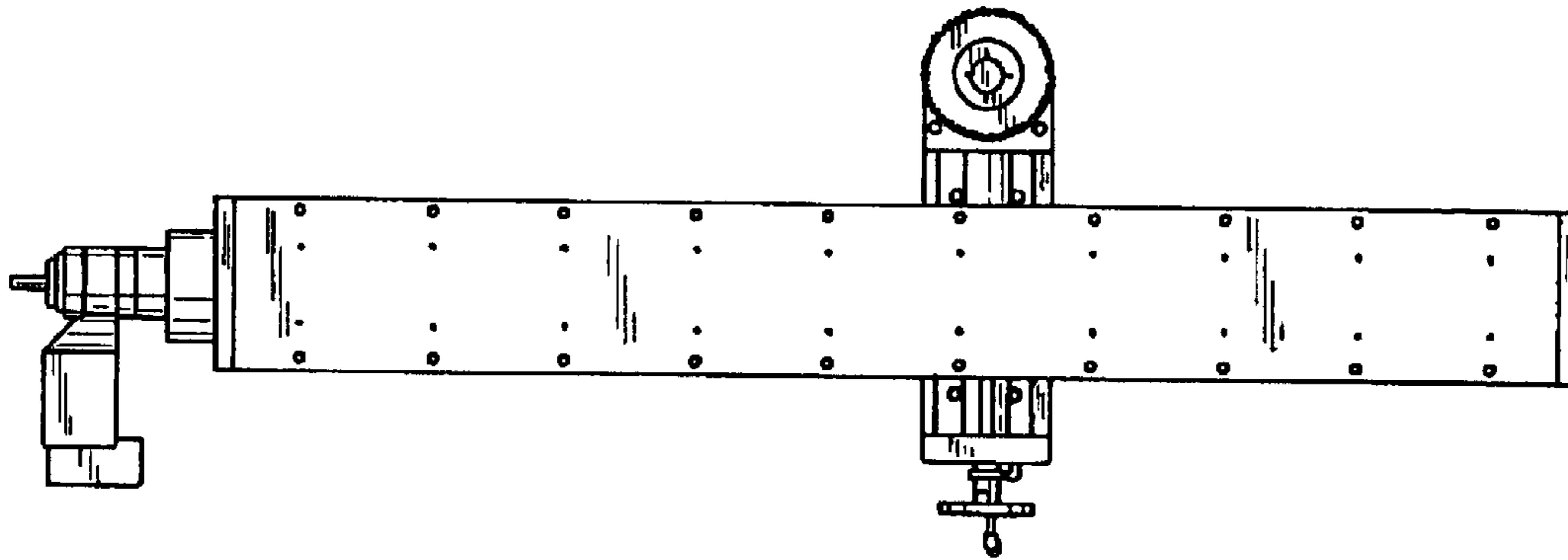
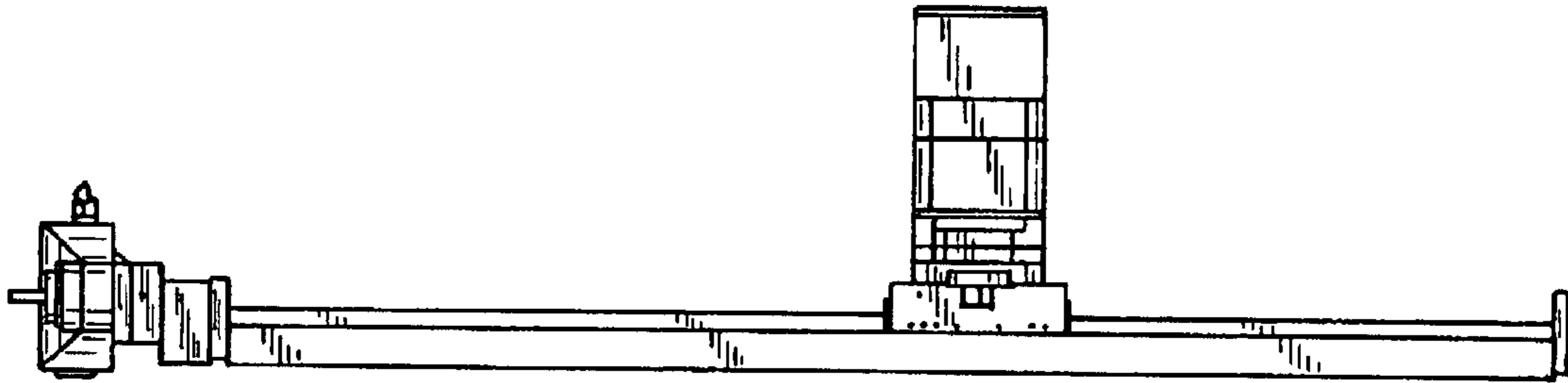
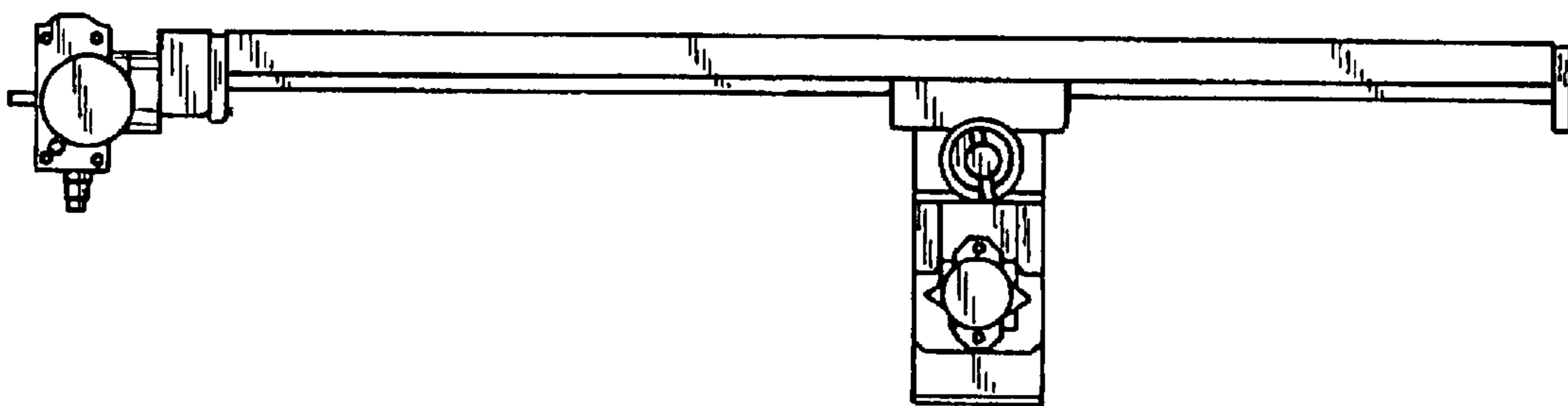


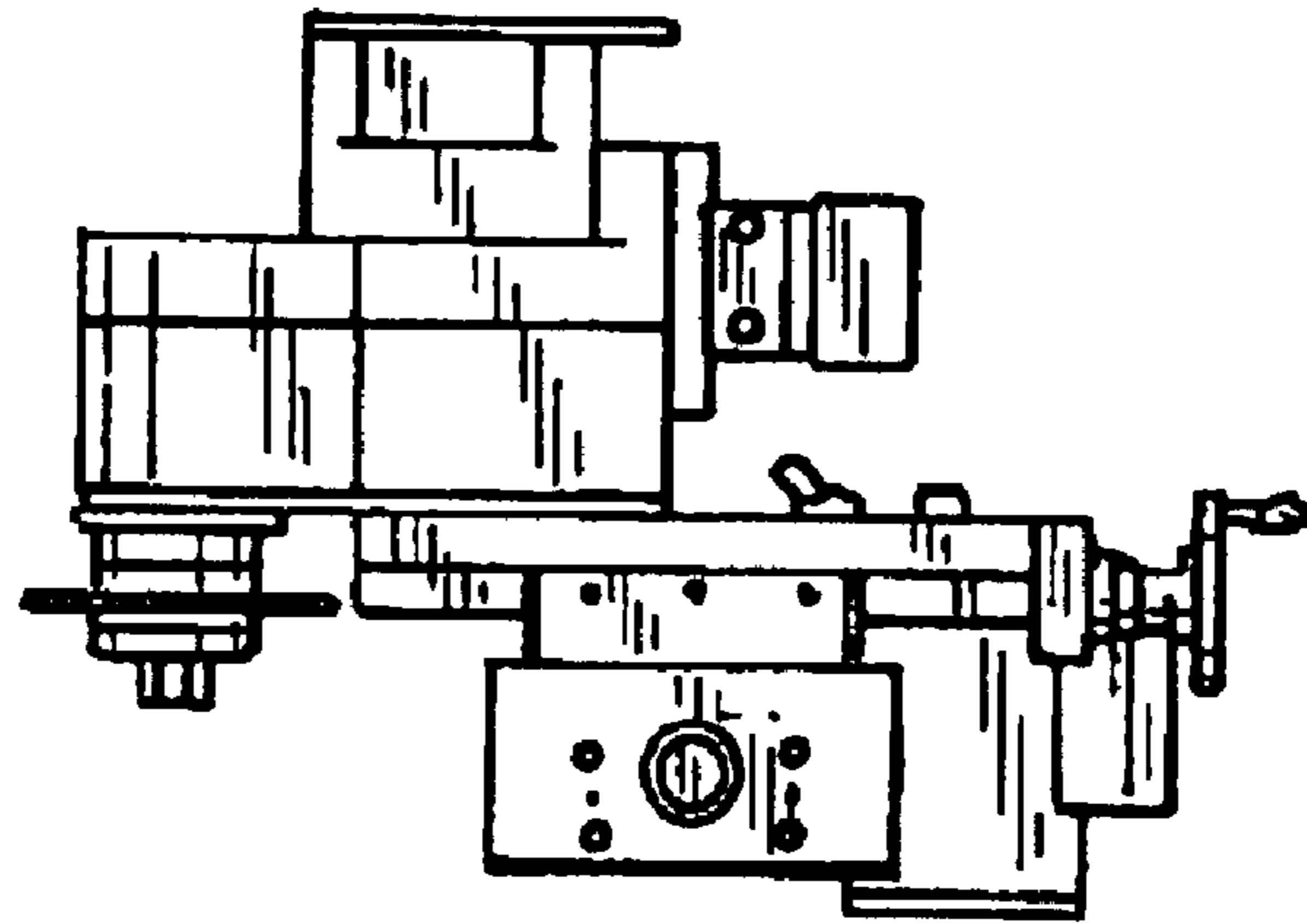
FIG. 2



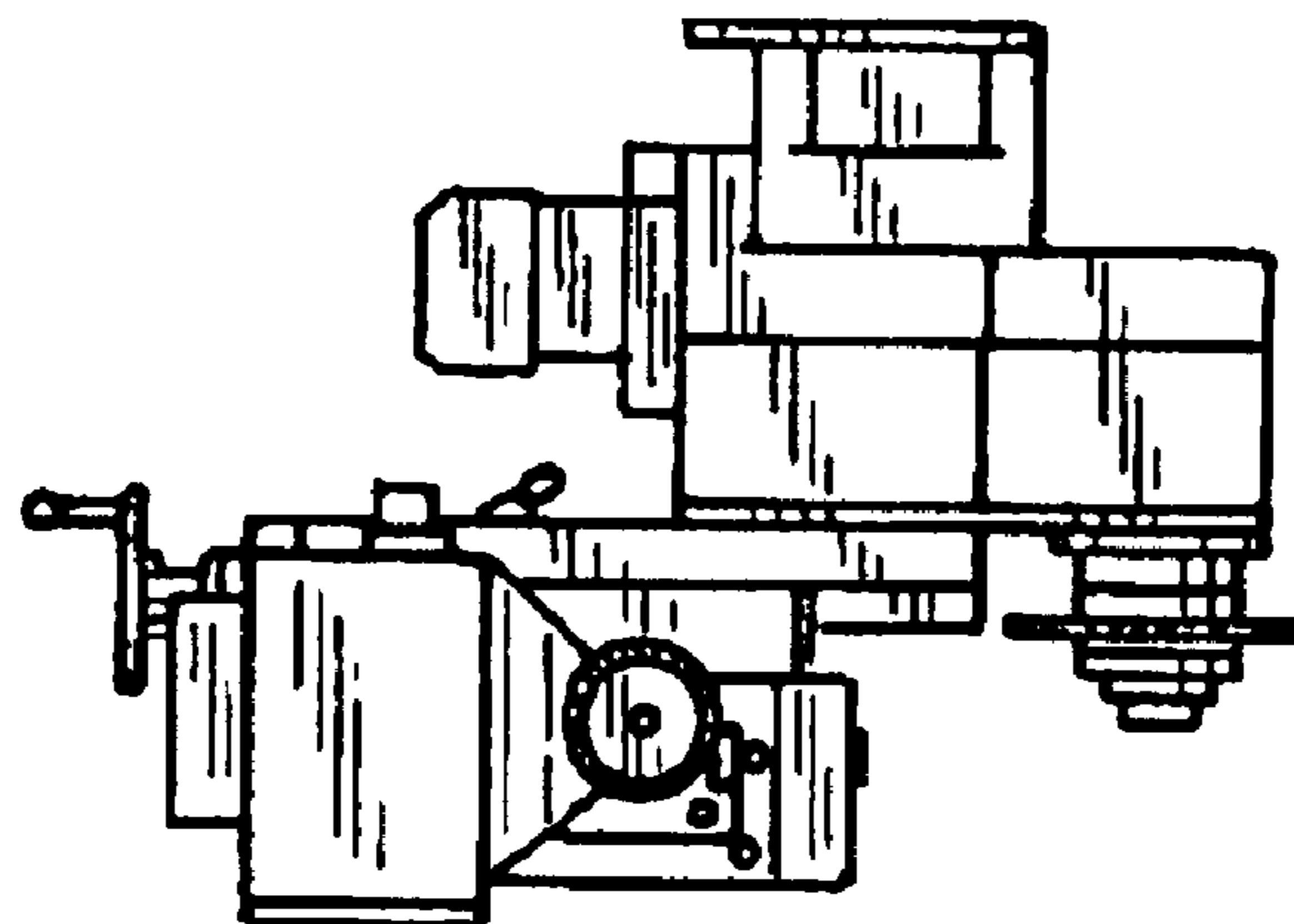
*FIG. 3*



*FIG. 4*



*FIG. 5*



*FIG. 6*

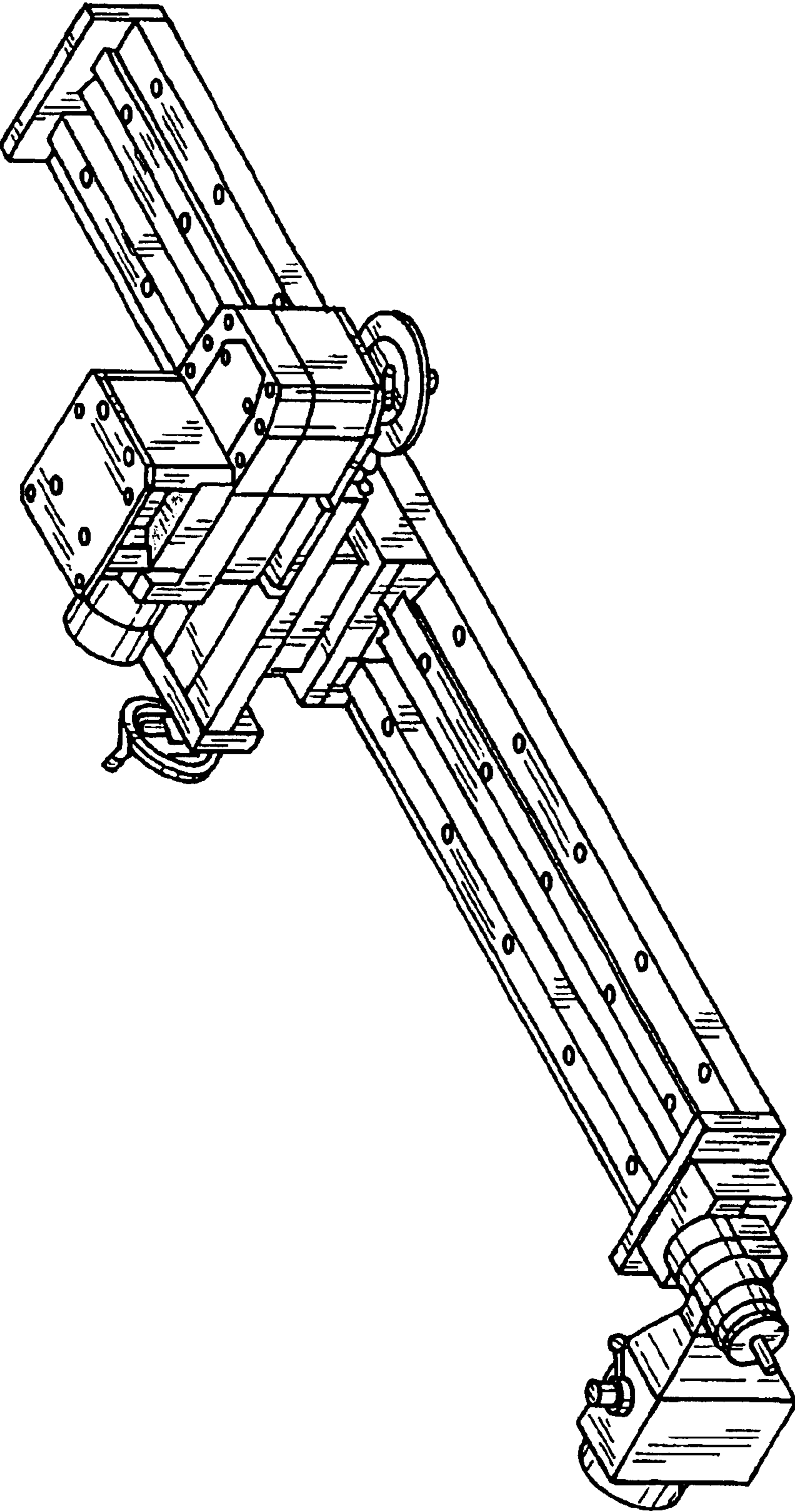


FIG. 7