

US00D494192S1

(12) **United States Design Patent** (10) **Patent No.:** **US D494,192 S**
Hirakawa et al. (45) **Date of Patent:** **** Aug. 10, 2004**

(54) **TURBINE FOR A PUMP**

FOREIGN PATENT DOCUMENTS

(75) Inventors: **Fuminori Hirakawa**, Miyakigun (JP);
Shinya Koga, Omutashi (JP);
Toshisuke Sakai, Onojoyoshi (JP)
(73) Assignee: **Matsushita Electric Industries Co., Ltd.**, Osaka (JP)
(**) Term: **14 Years**

JP	D785949	4/1990
JP	D785949/1	4/1990
JP	D785949/2	4/1990
JP	D785949/3	4/1990
JP	D785949/4	4/1990
JP	D785949/5	4/1990
JP	D785949/6	4/1990
JP	D1046249	4/1999

* cited by examiner

(21) Appl. No.: **29/185,052**

Primary Examiner—Ralf Seifert

(22) Filed: **Jun. 20, 2003**

(74) *Attorney, Agent, or Firm*—Brinks Hofer Gilson & Lione

(30) **Foreign Application Priority Data**

Dec. 24, 2002 (JP) 2002-035685
Dec. 24, 2002 (JP) 2002-035686

(57) **CLAIM**

The ornamental design for a turbine for a pump, as shown and described.

(51) **LOC (7) Cl.** **15-02**
(52) **U.S. Cl.** **D15/7**
(58) **Field of Search** D15/7-9; D23/231,
D23/232; 417/410.4, 359, 415, 410.3, 234,
229, 321, 265, 405; 416/175, 183-185,
188, 366

DESCRIPTION

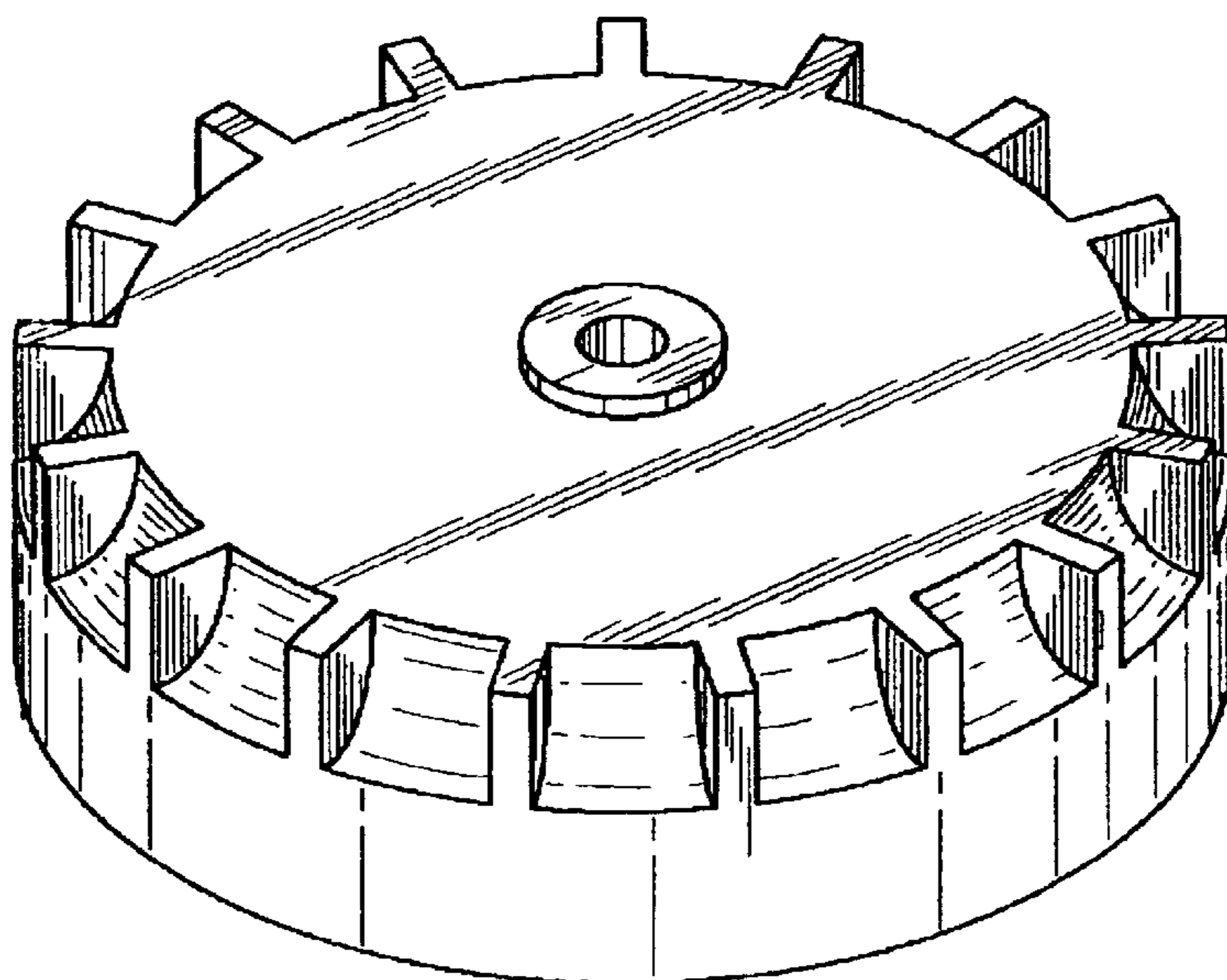
FIG. 1 is a top perspective view of the first embodiment of a turbine for a pump of the present invention;
FIG. 2 is a first side view thereof;
FIG. 3 is a top view thereof;
FIG. 4 is a second side view thereof;
FIG. 5 is a third side view thereof;
FIG. 6 is a fourth side view thereof;
FIG. 7 is a bottom view thereof;
FIG. 8 is a top perspective view of the second embodiment of a turbine for a pump of the present invention;
FIG. 9 is a first side view of FIG. 8,
FIG. 10 is a top view of FIG. 8,
FIG. 11 is a second side view of FIG. 8,
FIG. 12 is a third side view of FIG. 8,
FIG. 13 is a fourth side view of FIG. 8; and,
FIG. 14 is a bottom view of FIG. 8.

(56) **References Cited**

U.S. PATENT DOCUMENTS

2,465,671 A * 3/1949 Millingen et al. 416/188
4,167,369 A * 9/1979 Ishihara 416/185
D258,588 S * 3/1981 Sugiura D15/7
D258,589 S * 3/1981 Sugiura D15/7
D262,538 S * 1/1982 Erikson D15/7
D268,112 S * 3/1983 Sugiura D15/7
D441,767 S * 5/2001 Wolbers D15/7
D443,281 S * 6/2001 Sodergard D15/7
6,435,828 B1 * 8/2002 Bostwick 416/175
6,514,052 B2 * 2/2003 Bostwick 417/366
D471,208 S * 3/2003 Iwane D15/7

1 Claim, 6 Drawing Sheets



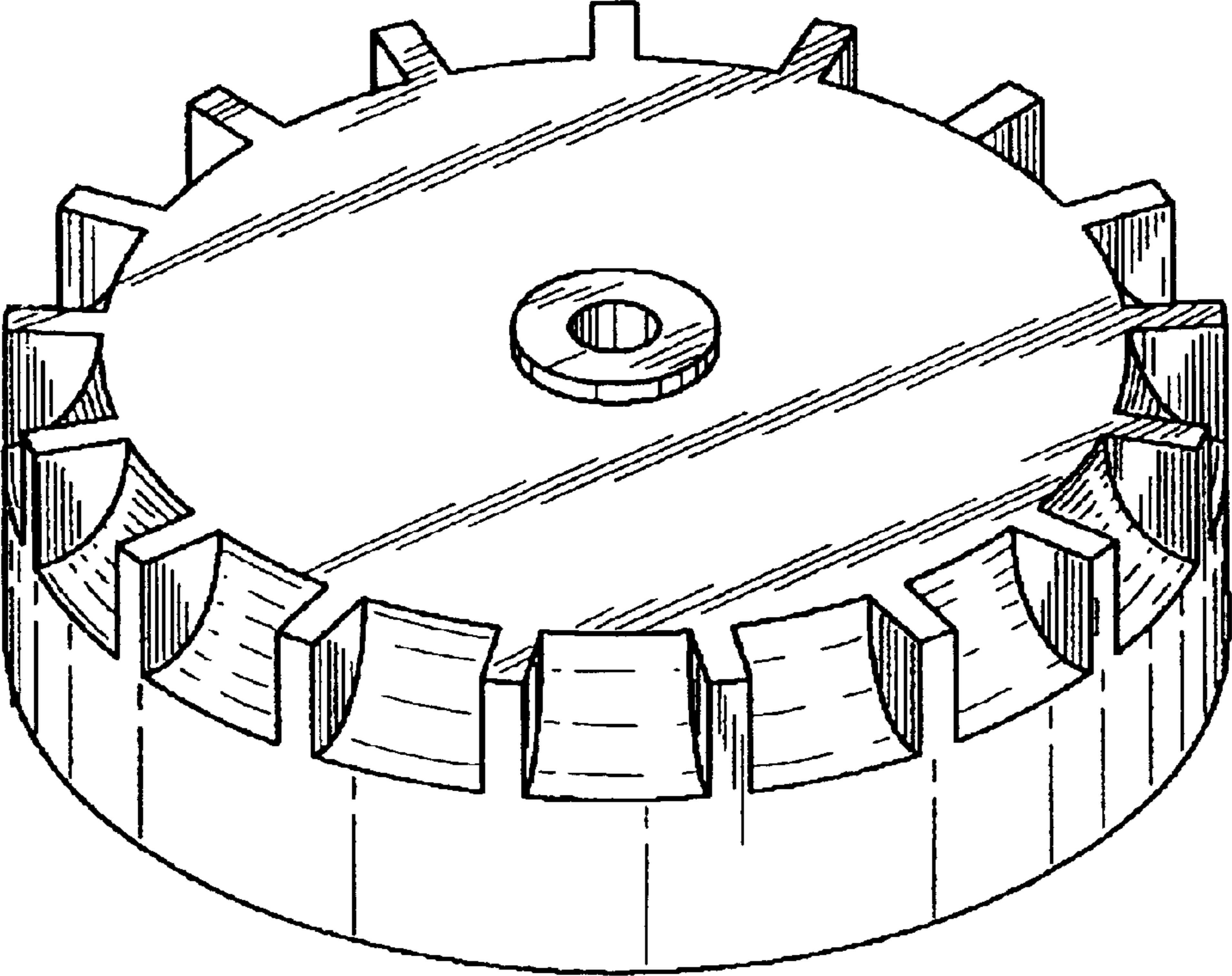
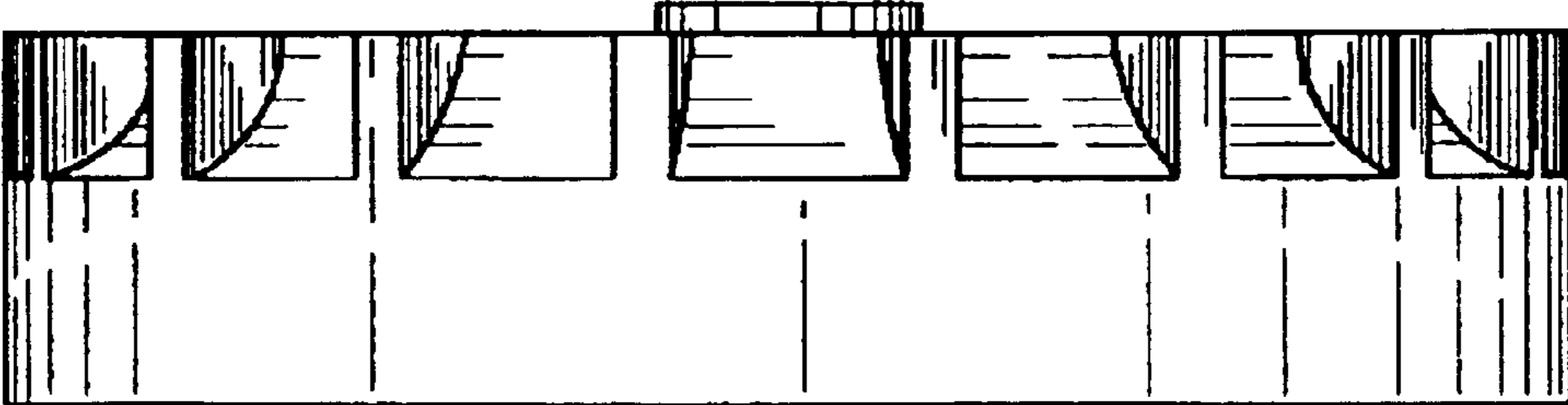


FIG. 1

FIG. 2



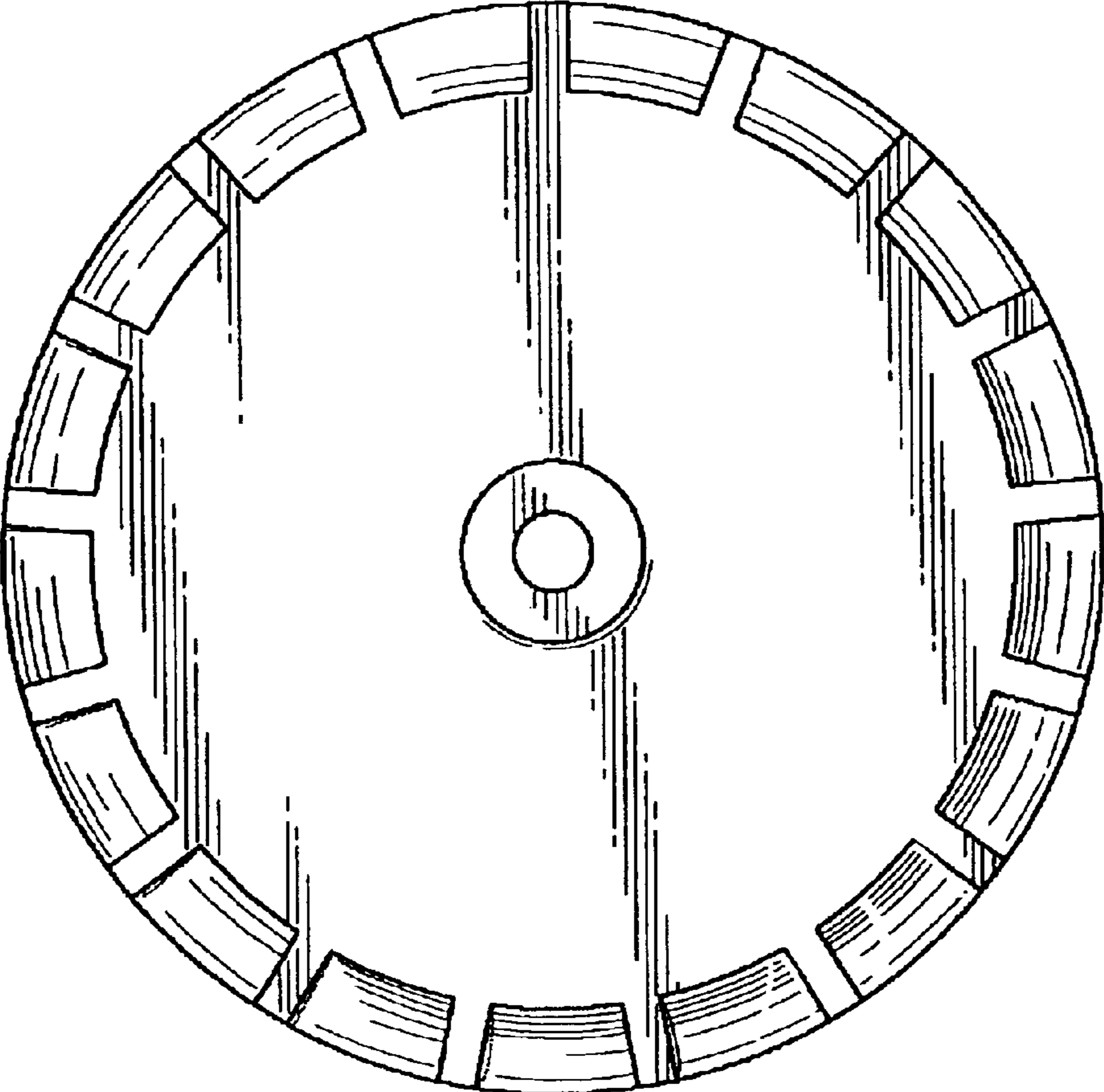
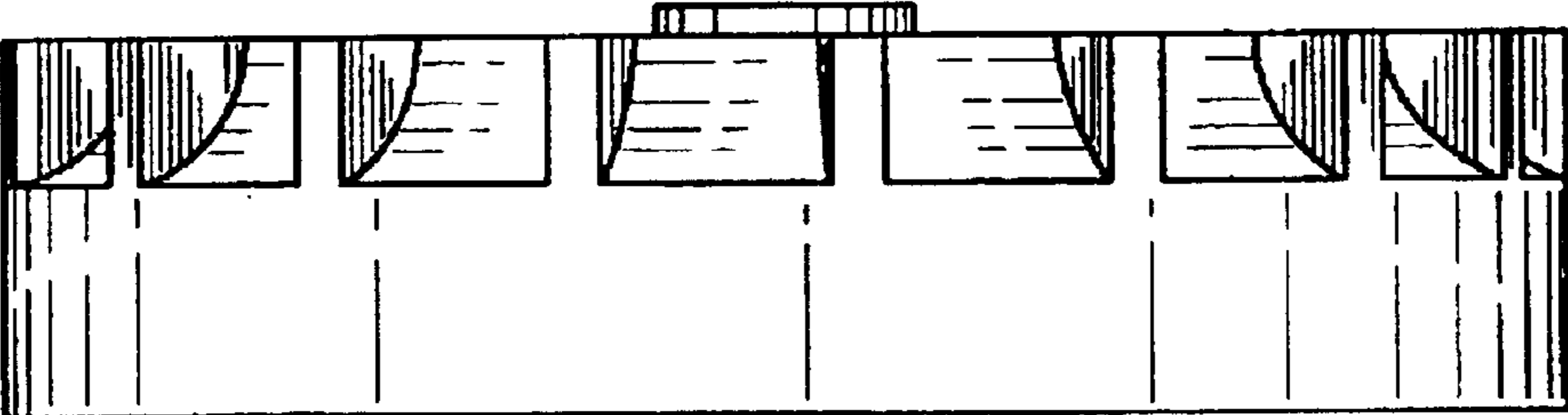


FIG. 3

FIG. 4



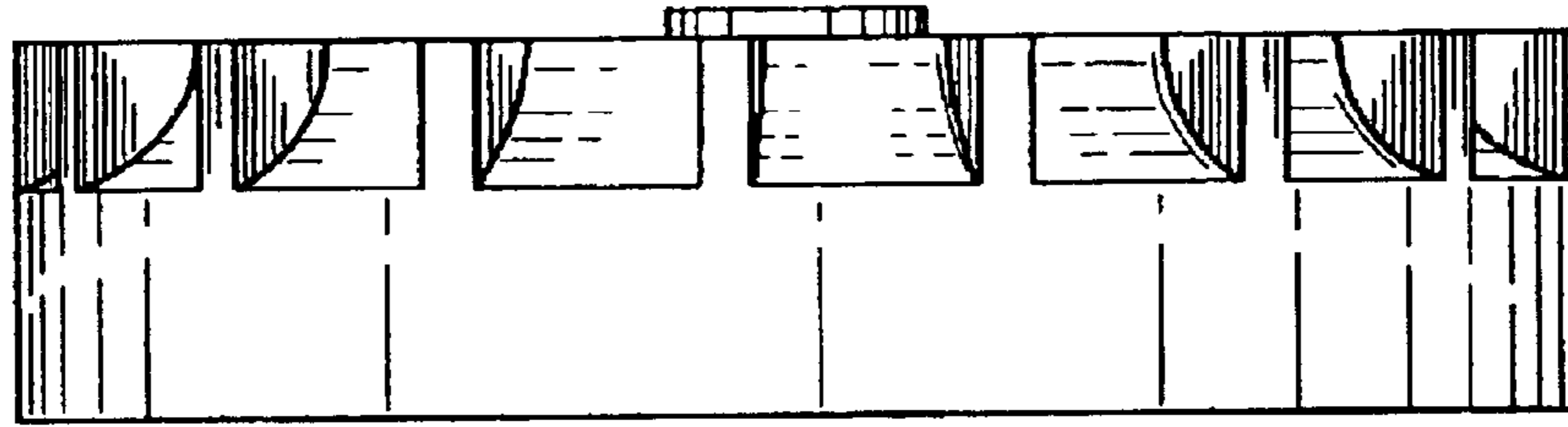


FIG. 5

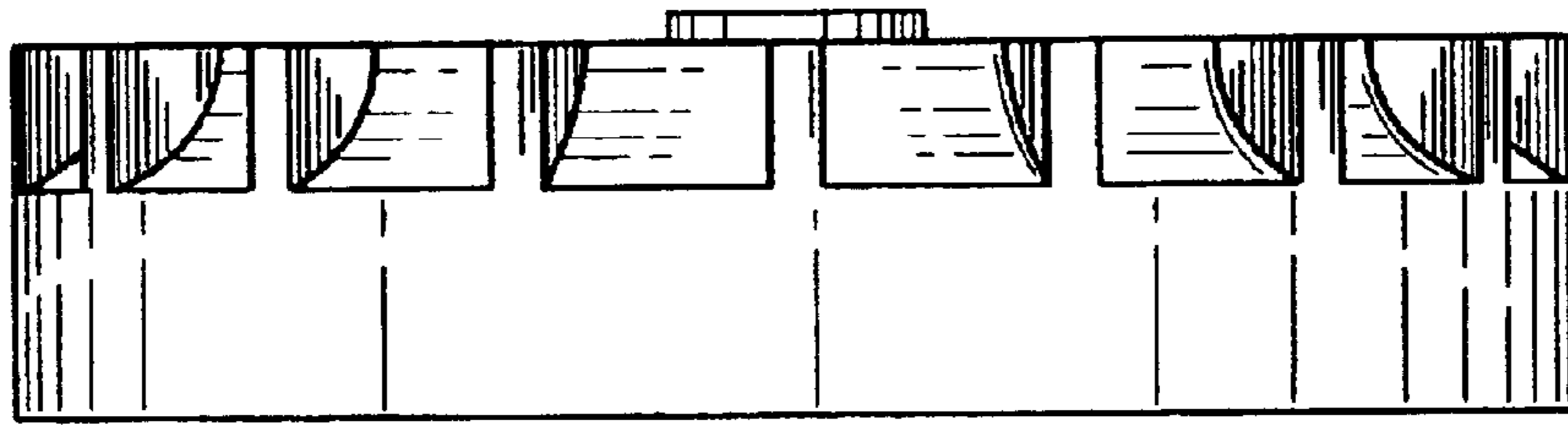
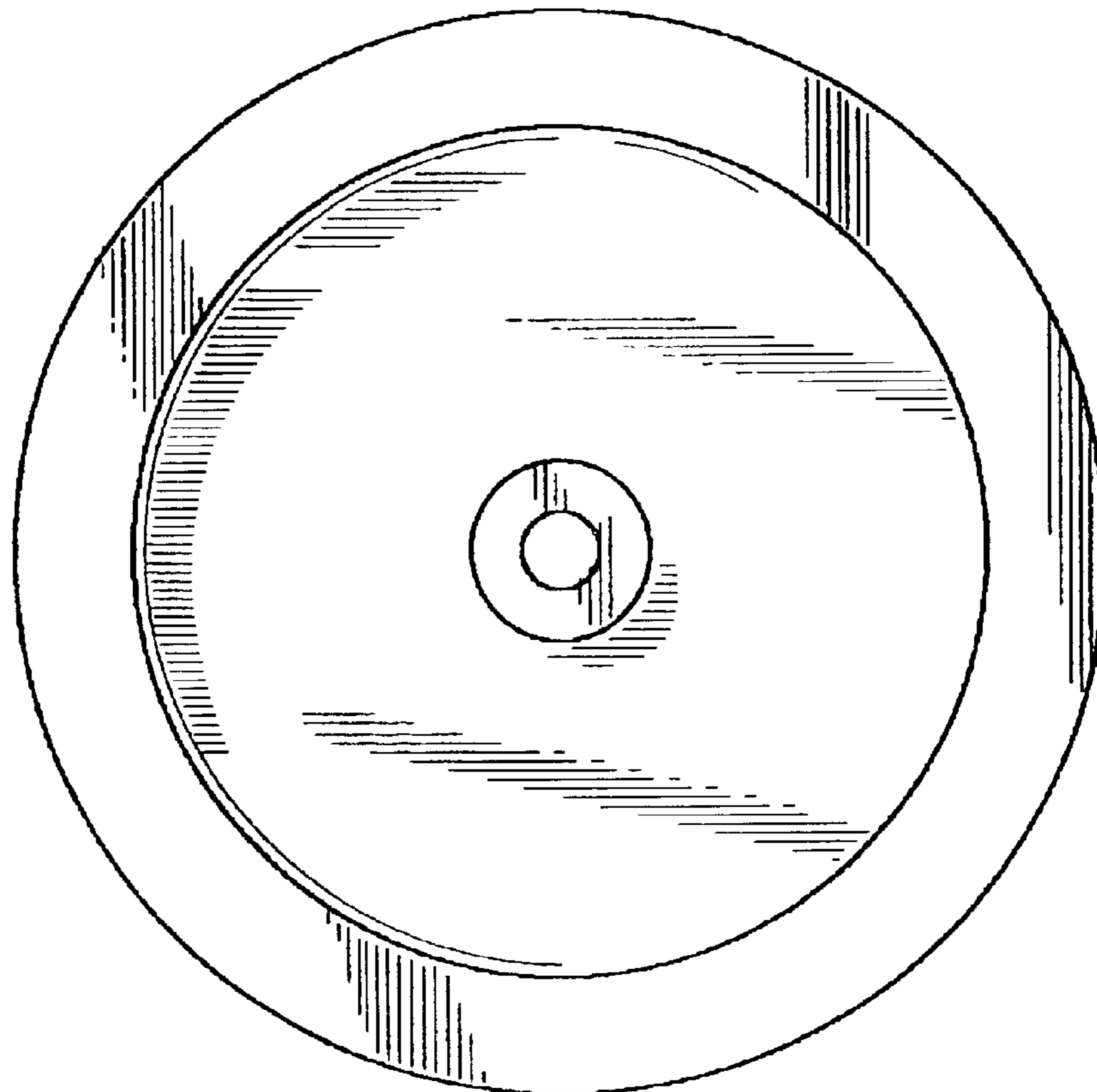


FIG. 6

FIG. 7



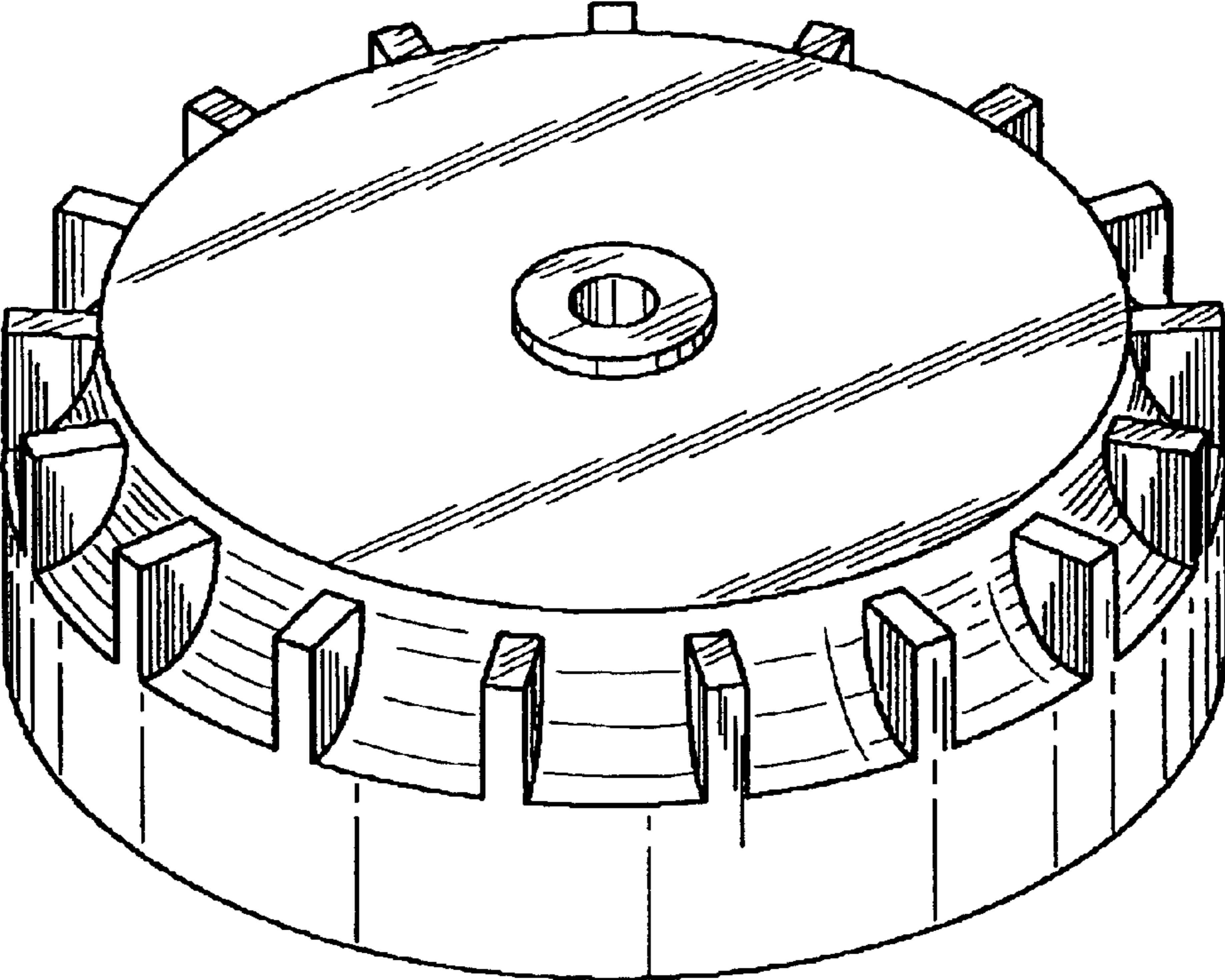
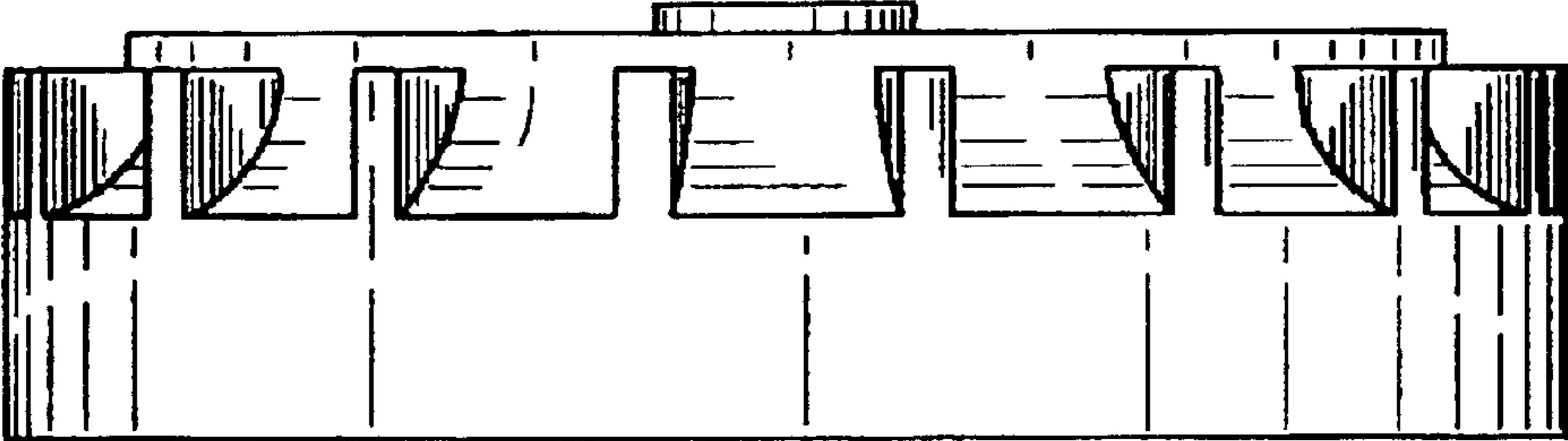


FIG. 8

FIG. 9



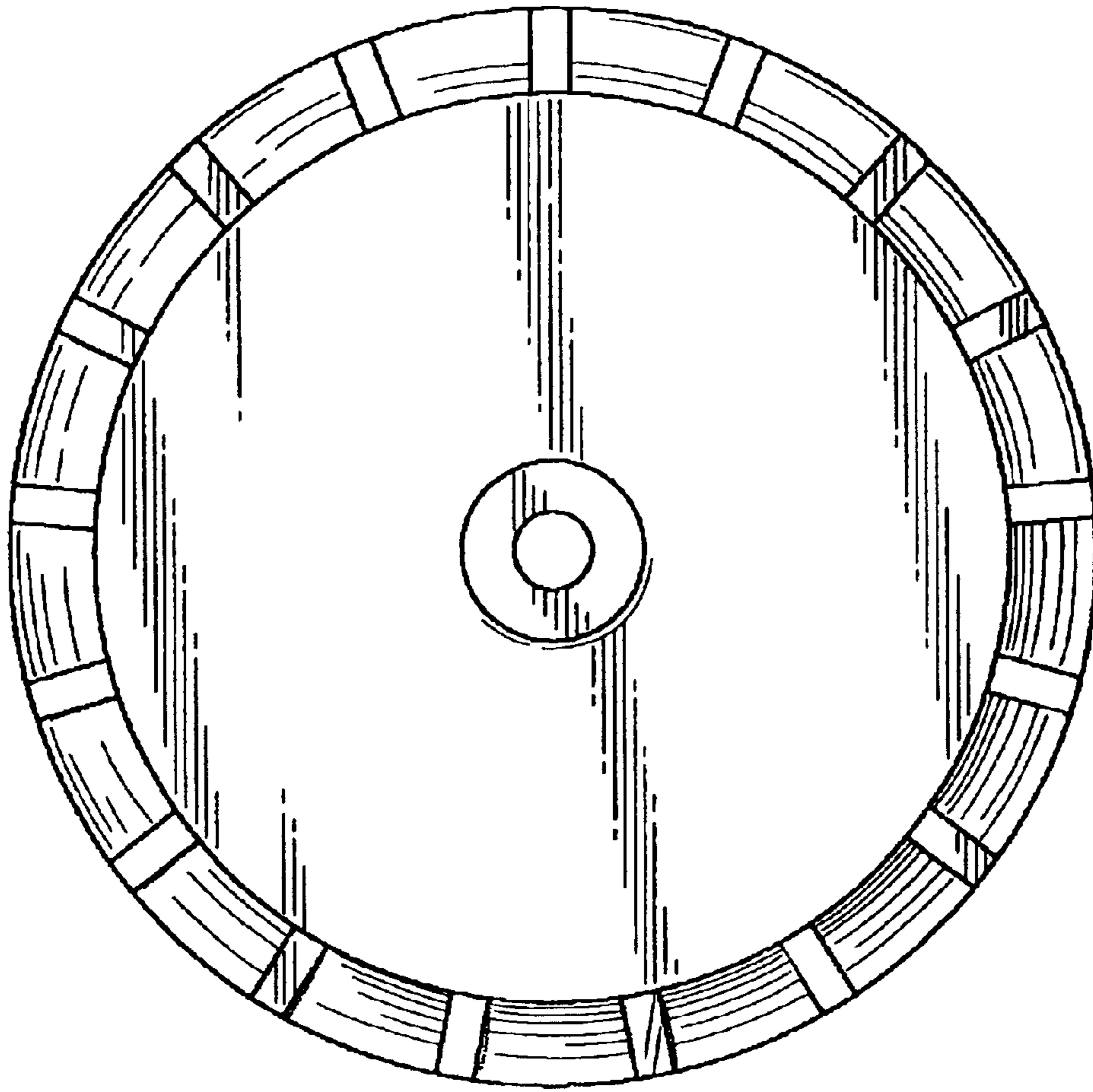


FIG. 10

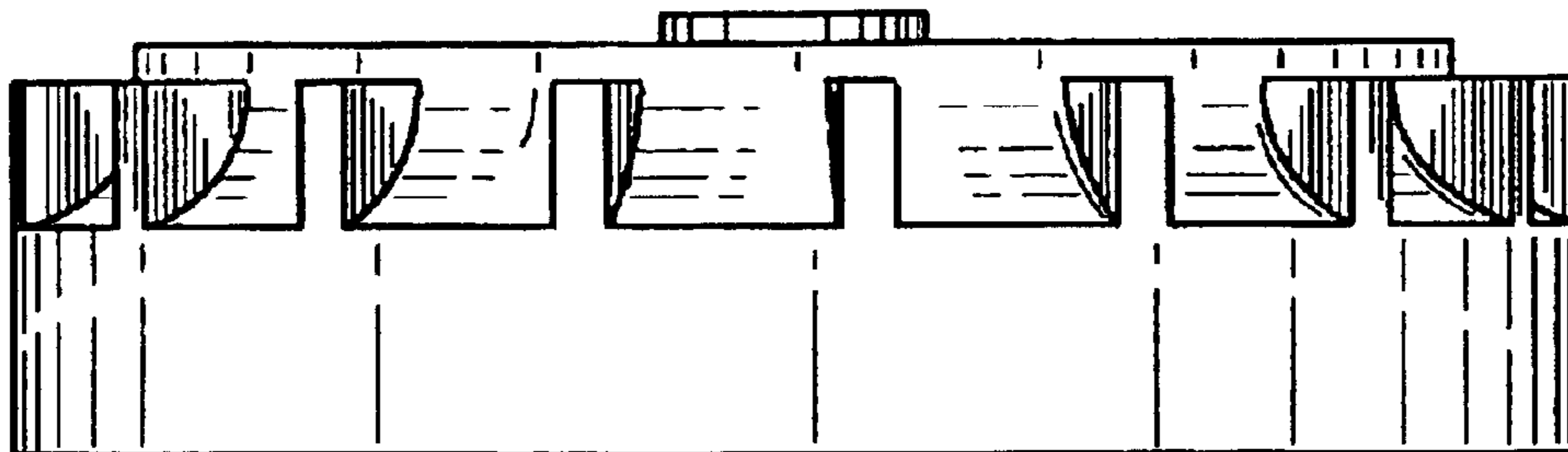


FIG. 11

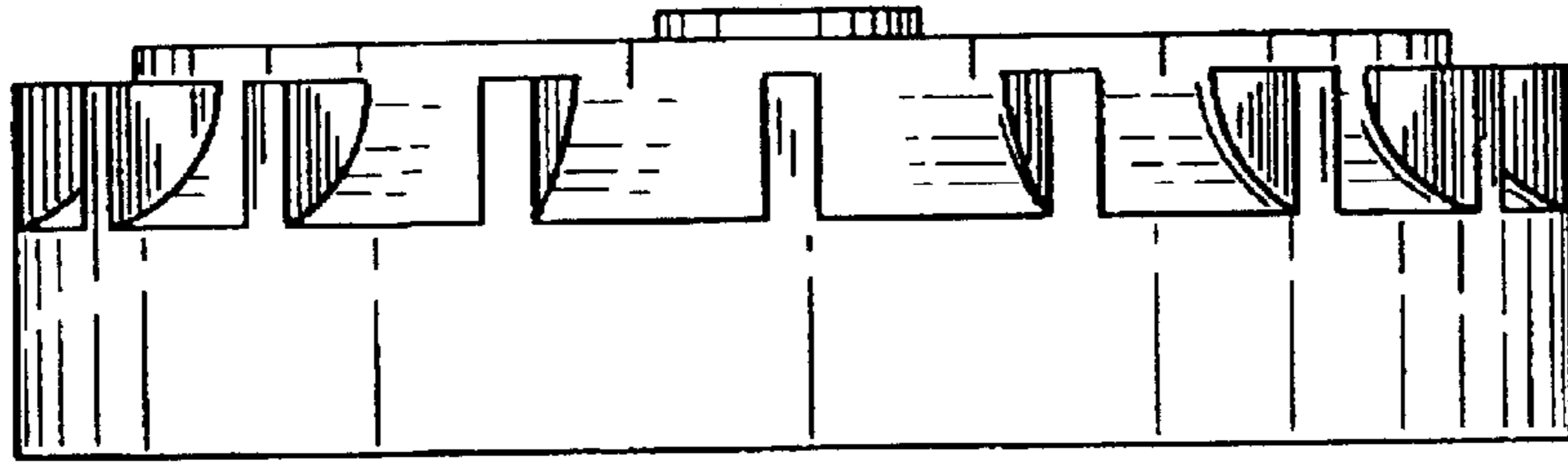


FIG. 12

FIG. 13

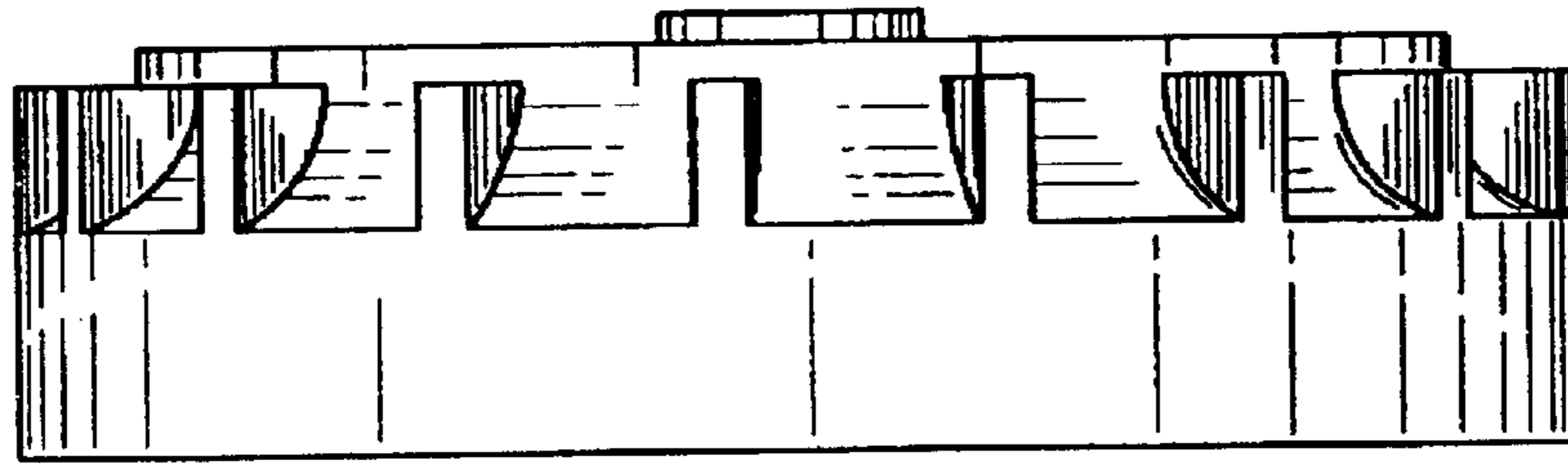


FIG. 14

