

US00D494190S1

(12) **United States Design Patent**  
**Hong et al.**

(10) **Patent No.:** **US D494,190 S**  
(45) **Date of Patent:** **\*\* Aug. 10, 2004**

- (54) **PORTABLE AV MEDIA PLAYER**
- (75) Inventors: **Fu-Long Hong**, Banchiau (TW);  
**Cheng-Shan Lin**, Jhonghe (TW);  
**Yu-Fen Lo**, Yonghe (TW)
- (73) Assignee: **BENQ Corporation**, Taoyuan (TW)
- (\*\*) Term: **14 Years**
- (21) Appl. No.: **29/190,467**
- (22) Filed: **Sep. 22, 2003**
- (51) **LOC (7) Cl.** ..... **14-03**
- (52) **U.S. Cl.** ..... **D14/496; D21/330**
- (58) **Field of Search** ..... D14/496, 400,  
D14/401, 483, 315, 168, 125; 273/148 B;  
463/30-35, 1, 43-47; 345/156, 157, 158,  
903, 905, 728; D21/324, 329, 330, 333

- 6,307,535 B1 \* 10/2001 Kim et al. .... 345/157
- 6,400,351 B1 \* 6/2002 Ishizawa et al. .... 345/156
- 6,507,338 B1 \* 1/2003 Liao et al. .... 345/173
- D473,227 S \* 4/2003 Hussaini et al. .... D14/356
- D477,850 S \* 7/2003 Hussaini et al. .... D21/333
- D485,280 S \* 1/2004 Hussaini et al. .... D14/496

\* cited by examiner

*Primary Examiner*—Prabhakar Deshmukh  
(74) *Attorney, Agent, or Firm*—Quintero Law Office

(57) **CLAIM**

The ornamental design for a portable AV media player, as shown and described.

**DESCRIPTION**

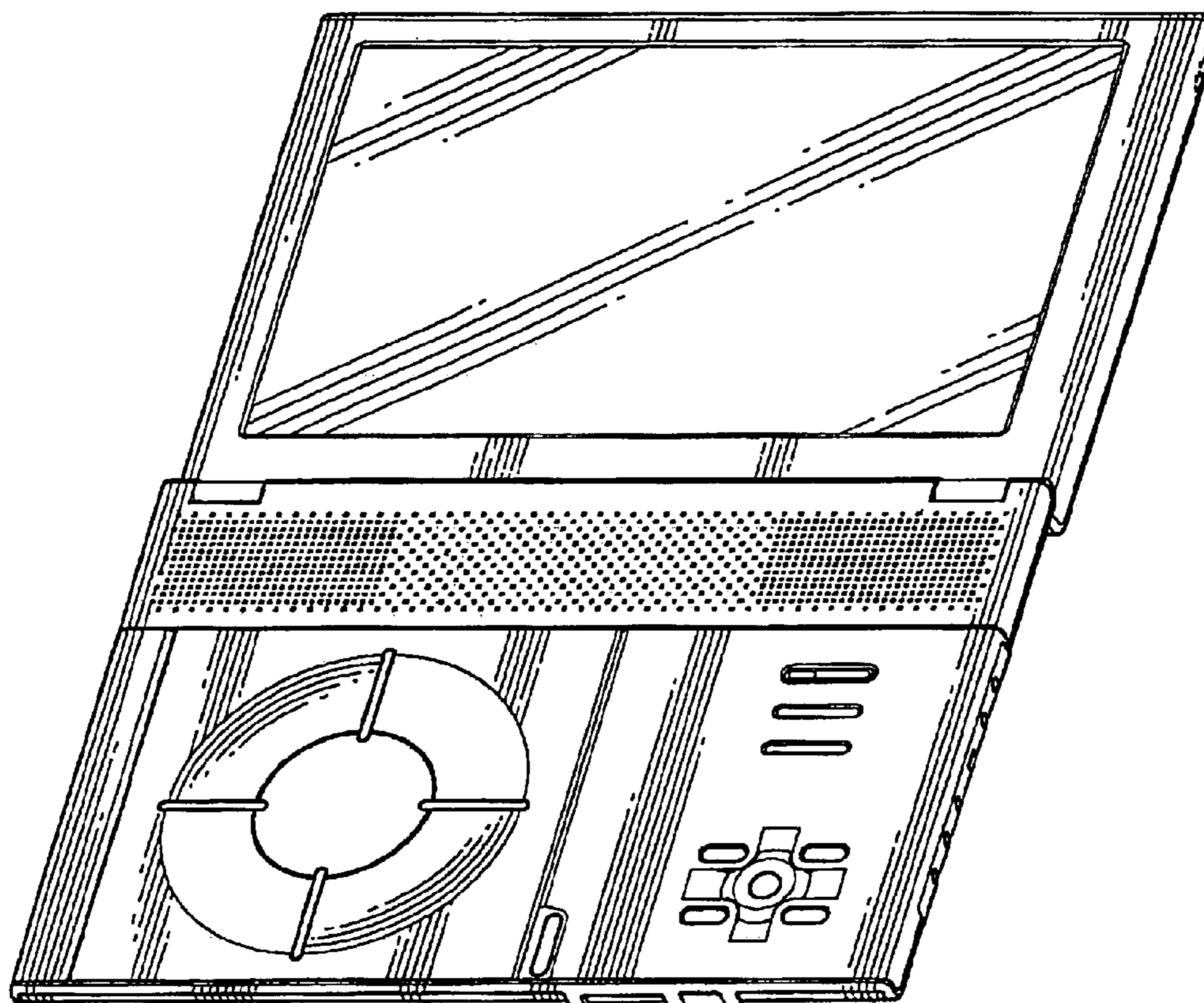
FIG. 1 is a perspective view thereof;  
FIG. 2 is a front elevational view thereof;  
FIG. 3 is a rear elevational view thereof;  
FIG. 4 is a left side elevational view thereof;  
FIG. 5 is a right side elevational view thereof;  
FIG. 6 is a top plan view thereof;  
FIG. 7 is a bottom plan view thereof; and,  
FIG. 8 is a perspective view in use state thereof.

(56) **References Cited**

**U.S. PATENT DOCUMENTS**

- 5,396,340 A \* 3/1995 Ishii et al. .... 386/106
- D377,648 S \* 1/1997 Young ..... D14/136
- D435,527 S \* 12/2000 Iino et al. .... D14/136

**1 Claim, 7 Drawing Sheets**



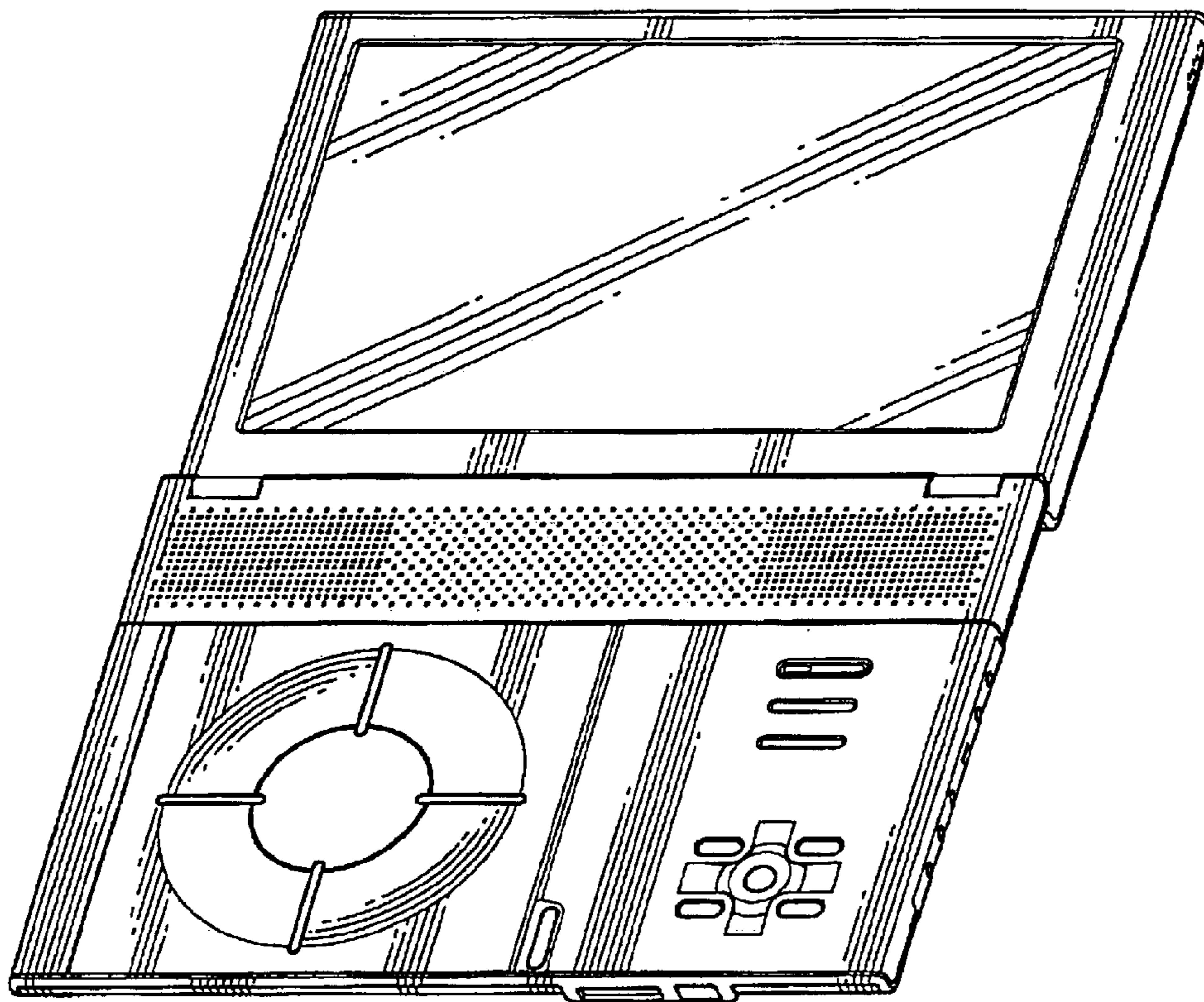


FIG. 1

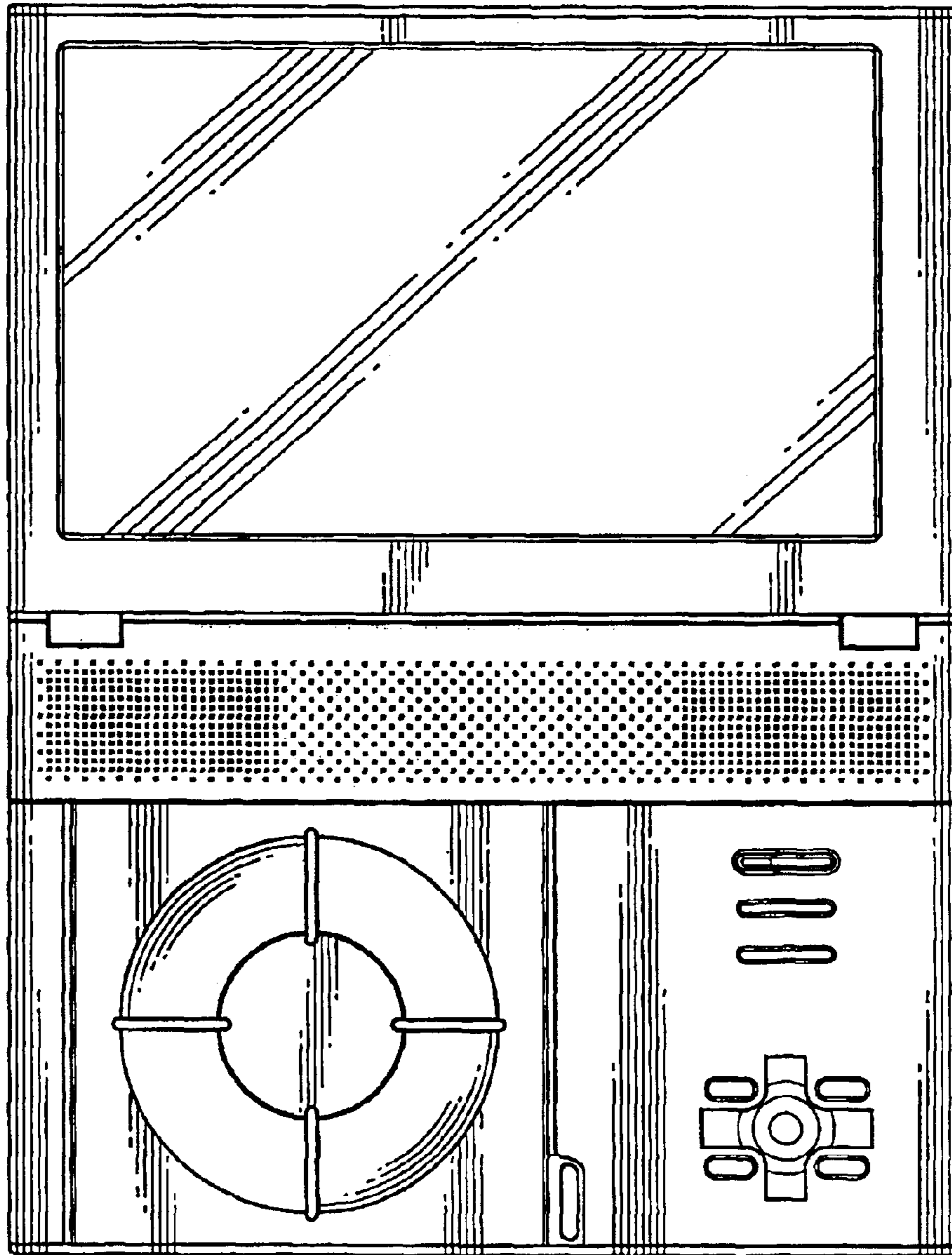


FIG. 2

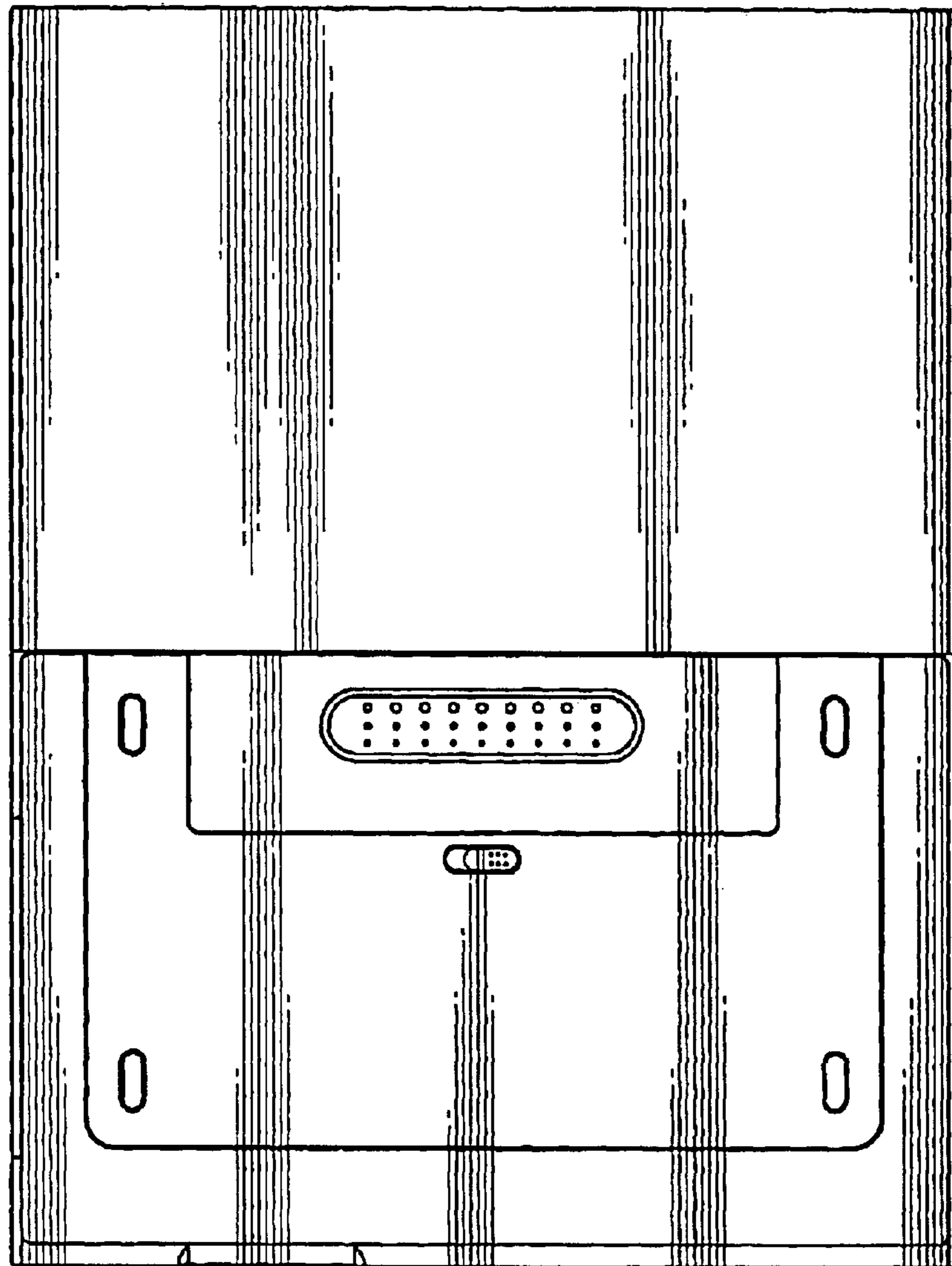


FIG. 3



FIG. 4



FIG. 5

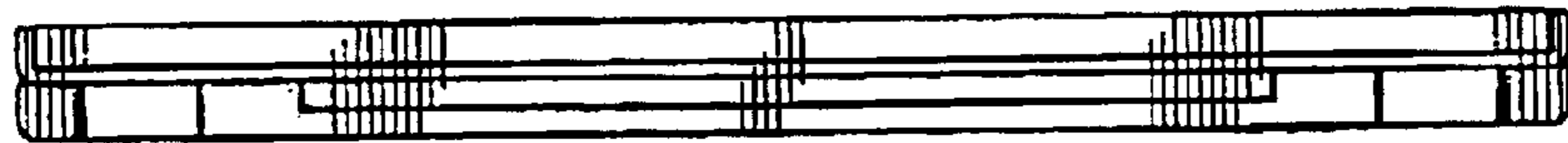


FIG. 6

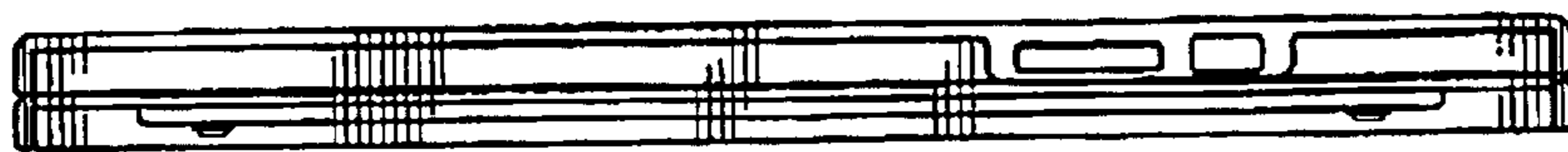


FIG. 7

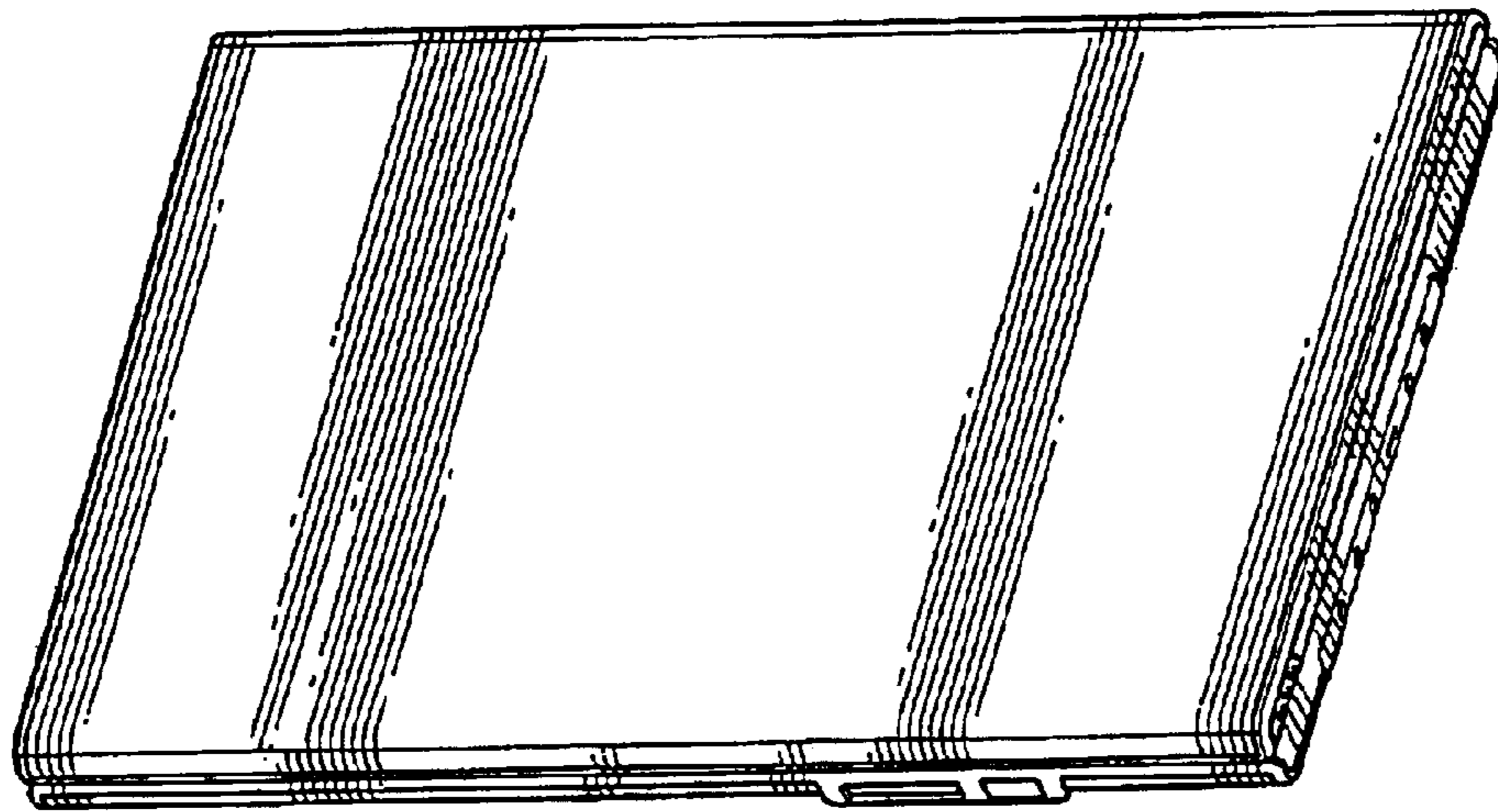


FIG. 8