

US00D494185S1

(12) **United States Design Patent**  
**Rowell**

(10) **Patent No.: US D494,185 S**  
(45) **Date of Patent: \*\* Aug. 10, 2004**

- (54) **CONTAINER TO CATCH PAPERS**
- (76) **Inventor: Charles P. Rowell, 6060 Village Bend Dr. #1611, Dallas, TX (US) 75206**
- (\*\*) **Term: 14 Years**
- (21) **Appl. No.: 29/183,921**
- (22) **Filed: Jun. 17, 2003**
- (51) **LOC (7) Cl. .... 16-03**
- (52) **U.S. Cl. .... D14/471; D3/304; D18/40; D19/90**
- (58) **Field of Search .... D14/462-471; D18/36-50, 56; D3/304, 307, 309, 314, 318; D6/474; D19/90-92; 211/50, 88.1, 126.1, 126.7, 133.6, 133.1; 222/160, 162, 173, 197, 424.5, 454, 575; 271/207; 358/400-402, 305; 220/559, 729, 732, 890; 232/27, 30, 39, 1 R, 1 E; 451/451, 453; 400/613.2, 646; 248/444.1**

- D272,538 S 2/1984 Yoshihama
- D272,625 S \* 2/1984 Suzuki et al. .... D14/469
- 4,560,066 A 12/1985 Croteau
- 4,823,963 A 4/1989 Helmsie
- 4,828,118 A \* 5/1989 Dearien, Jr. .... 211/50
- 4,930,020 A 5/1990 Martin
- 4,958,737 A 9/1990 Auerbach
- 4,995,602 A \* 2/1991 Nakadai et al. .... 271/207
- D319,472 S \* 8/1991 Clyburn .... D19/92
- D340,240 S 10/1993 Dow
- 5,610,724 A 3/1997 Kaneko
- D446,391 S 8/2001 Sterling
- D477,914 S \* 8/2003 Chandaria .... D3/304
- D482,366 S \* 11/2003 Rowell .... D14/471
- D484,140 S \* 12/2003 Rowell .... D14/471

\* cited by examiner

*Primary Examiner*—Caron D. Veynar  
(74) *Attorney, Agent, or Firm*—Richard K. Robinson

(57) **CLAIM**

The ornamental design for a container to catch papers, as shown and described.

(56) **References Cited**

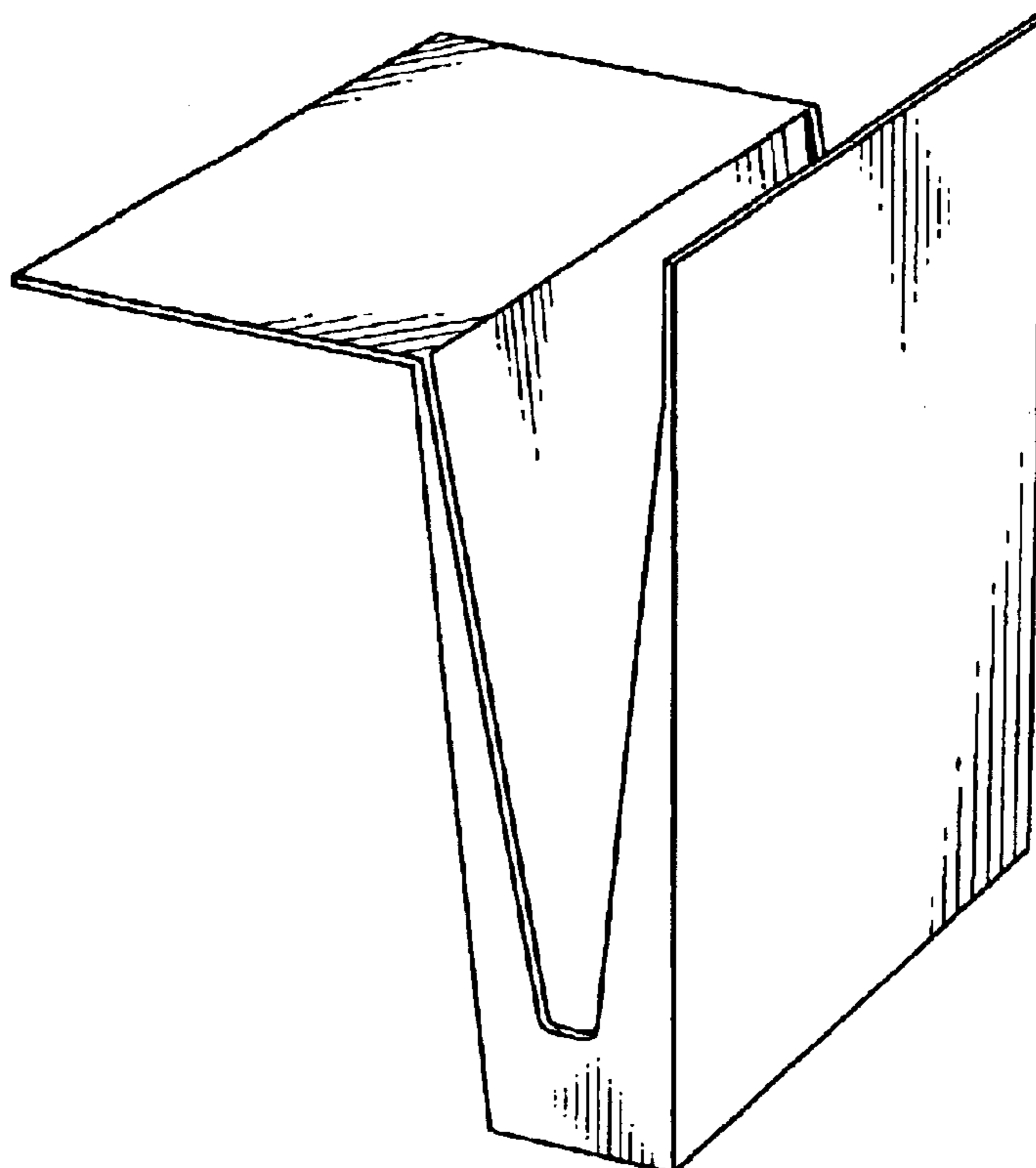
**U.S. PATENT DOCUMENTS**

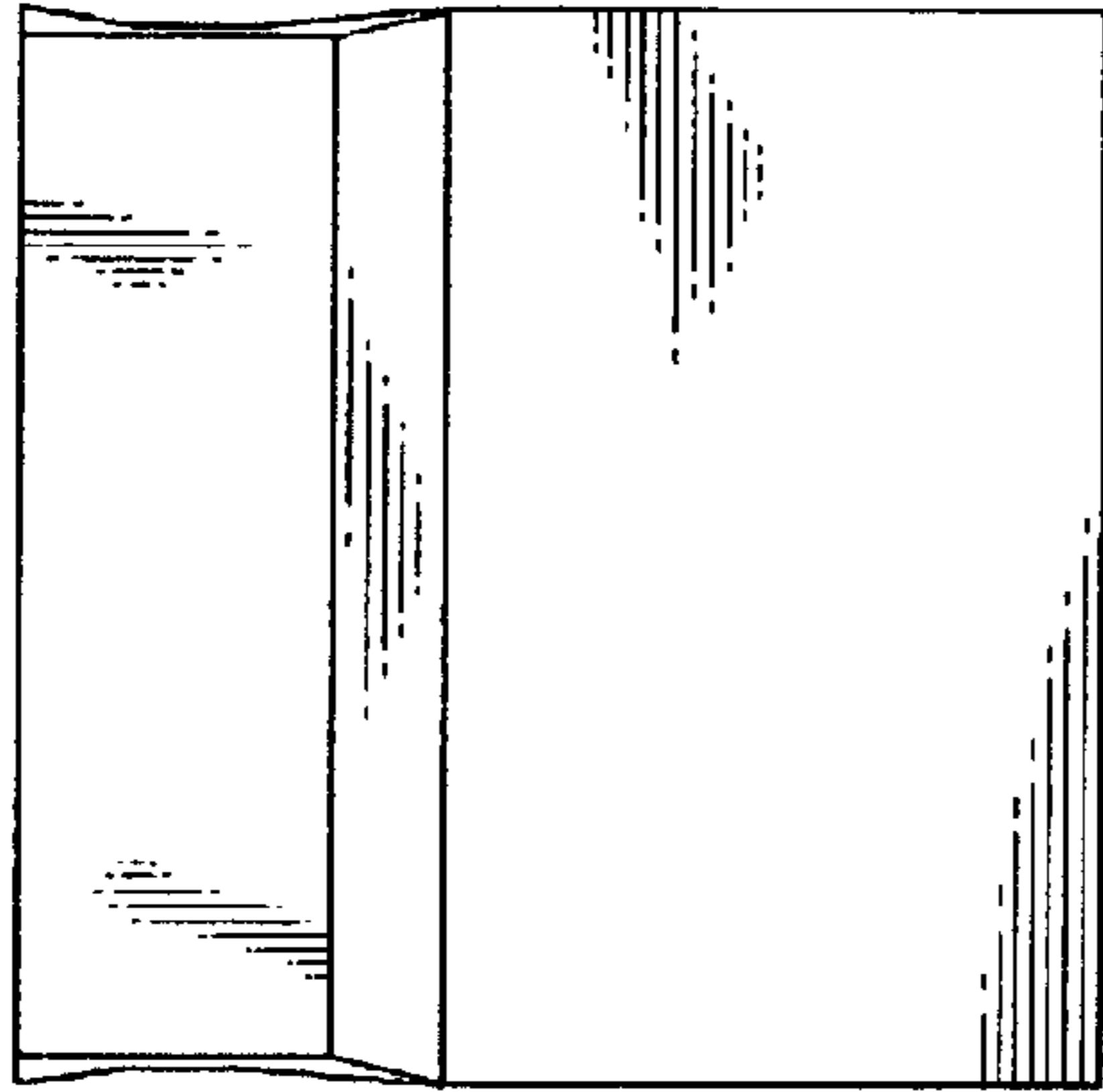
- D167,393 S \* 8/1952 Davis et al. .... D18/49
- 2,982,423 A 5/1961 Handler
- 3,713,581 A 1/1973 Mullens
- D257,154 S \* 9/1980 Stark et al. .... D18/49
- 4,300,757 A \* 11/1981 Koiso et al. .... 271/207
- 4,369,948 A \* 1/1983 Krauss et al. .... 248/444.1
- D269,528 S \* 6/1983 Sokolowski .... D18/49

**DESCRIPTION**

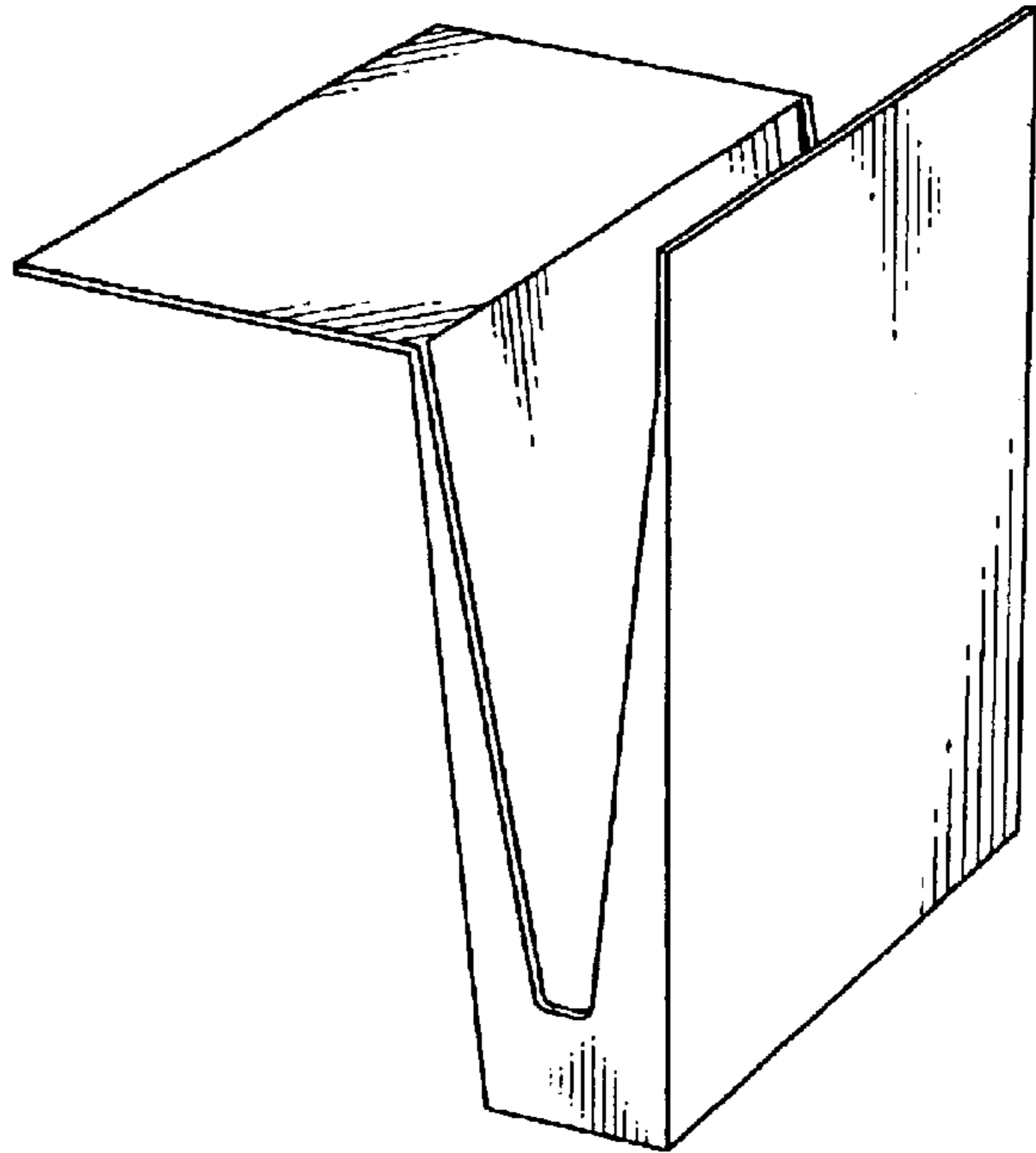
FIG. 1 is a top perspective view of a container to catch papers showing my new design;  
FIG. 2 is a right side elevational view thereof;  
FIG. 3 is a back side elevational view thereof; and,  
FIG. 4 is a bottom plan view thereof.

**1 Claim, 1 Drawing Sheet**

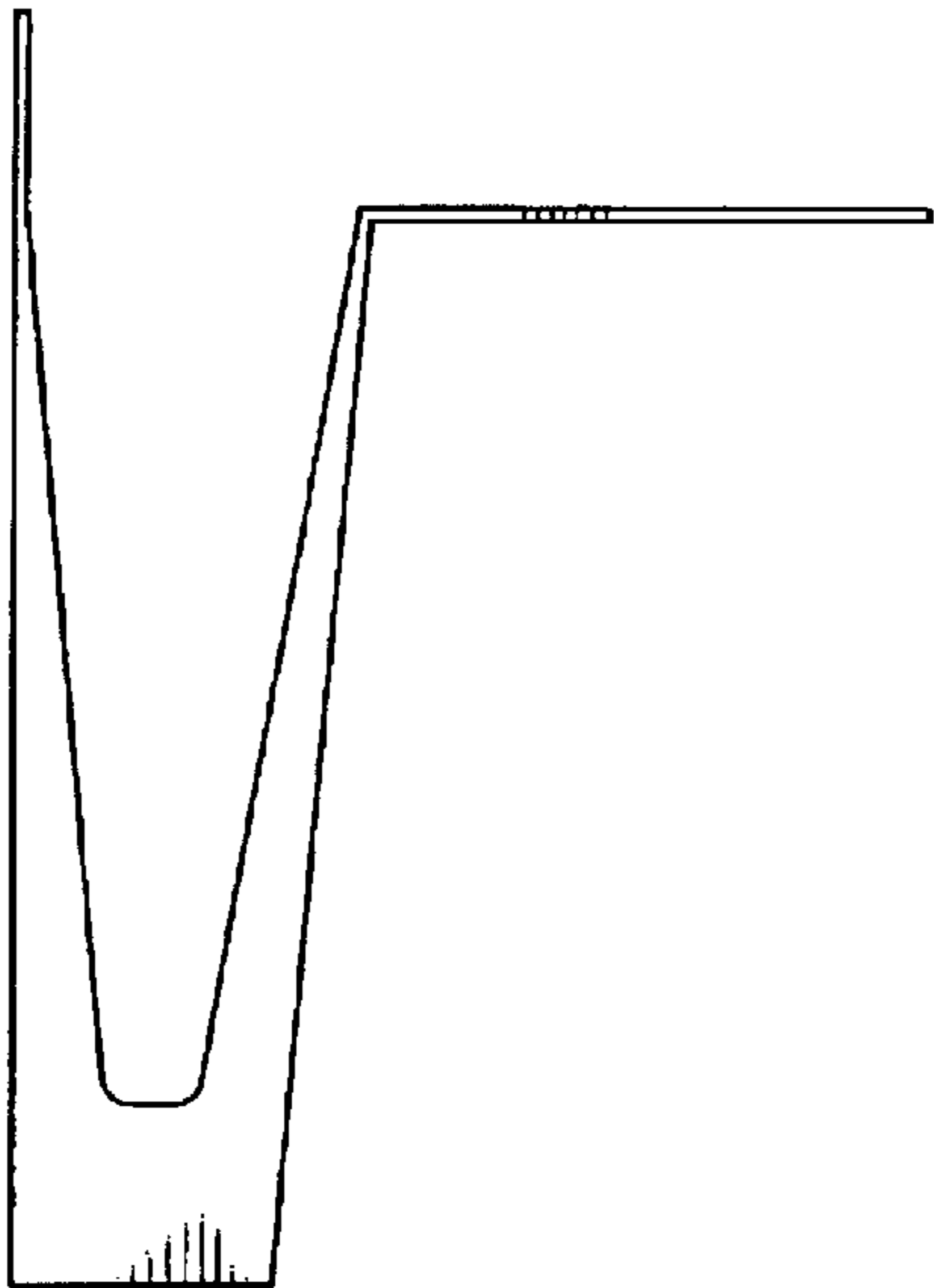




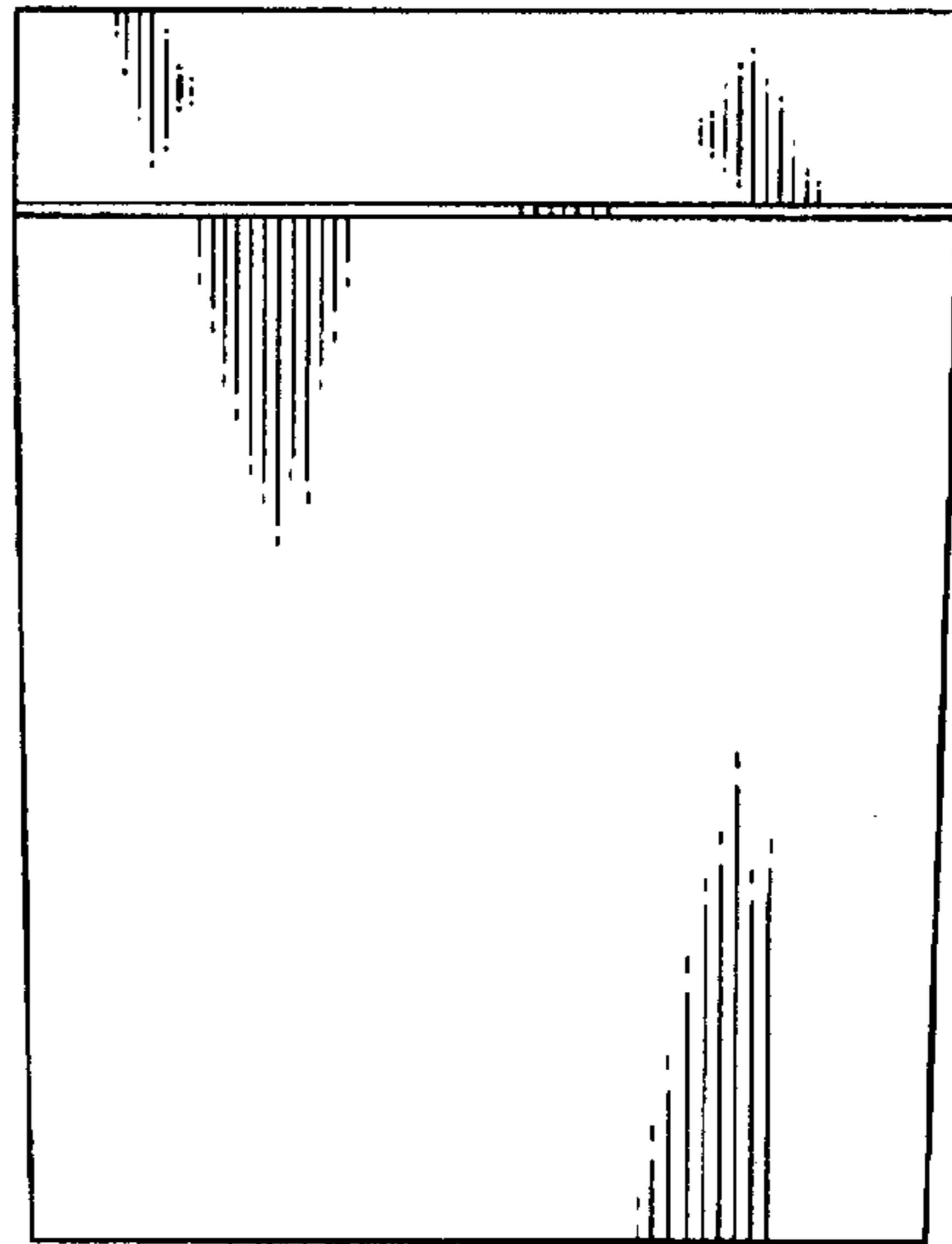
*Fig. 4*



*Fig. 1*



*Fig. 2*



*Fig. 3*