

US00D494183S1

(12) **United States Design Patent**
Wills et al.

(10) **Patent No.: US D494,183 S**

(45) **Date of Patent: ** Aug. 10, 2004**

(54) **MONITOR SUPPORT ARM**

(75) Inventors: **Andrew Wills**, London (GB); **Alex Lau**, London (GB)

(73) Assignee: **Colebrook Bosson Saunders Products Limited** (GB)

(**) Term: **14 Years**

(21) Appl. No.: **29/186,316**

(22) Filed: **Jul. 14, 2003**

(51) **LOC (7) Cl.** **14-02**

(52) **U.S. Cl.** **D14/452**

(58) **Field of Search** D14/432, 448-452;
248/280.11, 281.11, 284.1, 286.1, 231.71,
917-924, 118.3, 118

(56) **References Cited**

U.S. PATENT DOCUMENTS

D275,431 S	*	9/1984	Usab	D14/452
4,768,744 A	*	9/1988	Leeds et al.	248/280.11
5,037,053 A	*	8/1991	Fox et al.	248/280.11
D331,921 S	*	12/1992	Gutke et al.	D14/452
D347,841 S	*	6/1994	Rossman et al.	D14/452
D363,065 S	*	10/1995	Karten et al.	D14/452
D376,590 S	*	12/1996	Kao et al.	D14/452
6,076,785 A	*	6/2000	Oddsens, Jr.	248/118.3
D435,852 S	*	1/2001	Oddsens, Jr.	D14/452

* cited by examiner

Primary Examiner—Kay H. Chin

(74) *Attorney, Agent, or Firm—Carter, DeLuca, Farrell & Schmidt, LLP*

(57) **CLAIM**

The ornamental design for a monitor support arm, as shown and described.

DESCRIPTION

FIG. 1 is a perspective view of the monitor support arm according to the present design;

FIG. 2 is a front elevational view of the monitor support arm of FIG. 1;

FIG. 3 is a rear elevational view of the monitor support arm of FIGS. 1 and 2;

FIG. 4 is a right side elevational view of the monitor support arm of FIGS. 1-3, the left side elevational view being a mirror image of the right side elevational view;

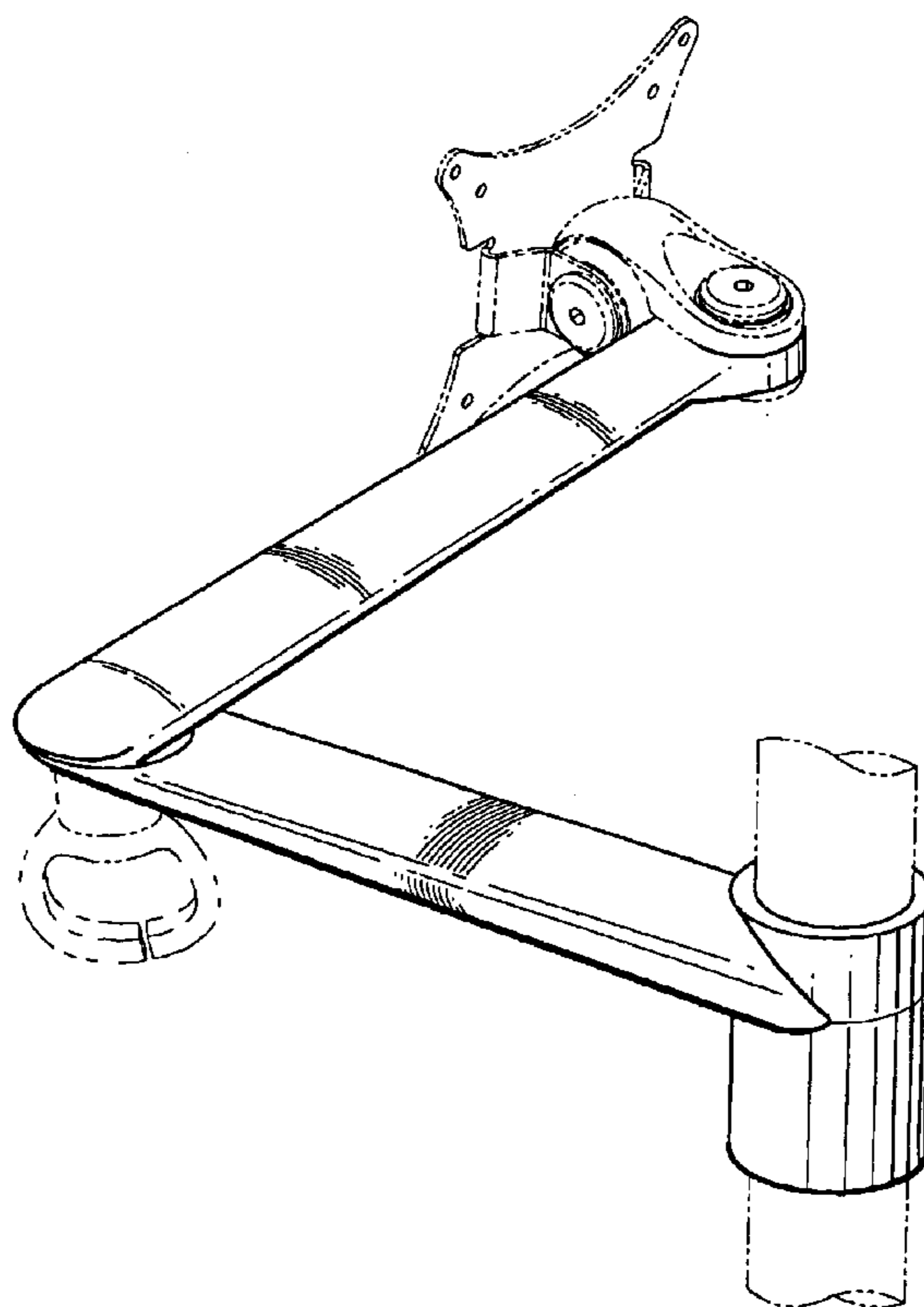
FIG. 5 is a top plan view of the monitor support arm of FIGS. 1-3;

FIG. 6 is a bottom plan view of the monitor support arm of FIGS. 1-4, and;

FIG. 7 is a perspective view of the monitor support arm of FIGS. 1-5 illustrating the pivoting of the monitor support arm about a pivot point thereof.

Throughout FIGS. 1-7 a mounting post to which the monitor support arm is attached and a mounting assembly for securing a monitor to the monitor support arm are shown in phantom lines for illustrative purposes only and do not constitute a part of the claimed design.

1 Claim, 4 Drawing Sheets



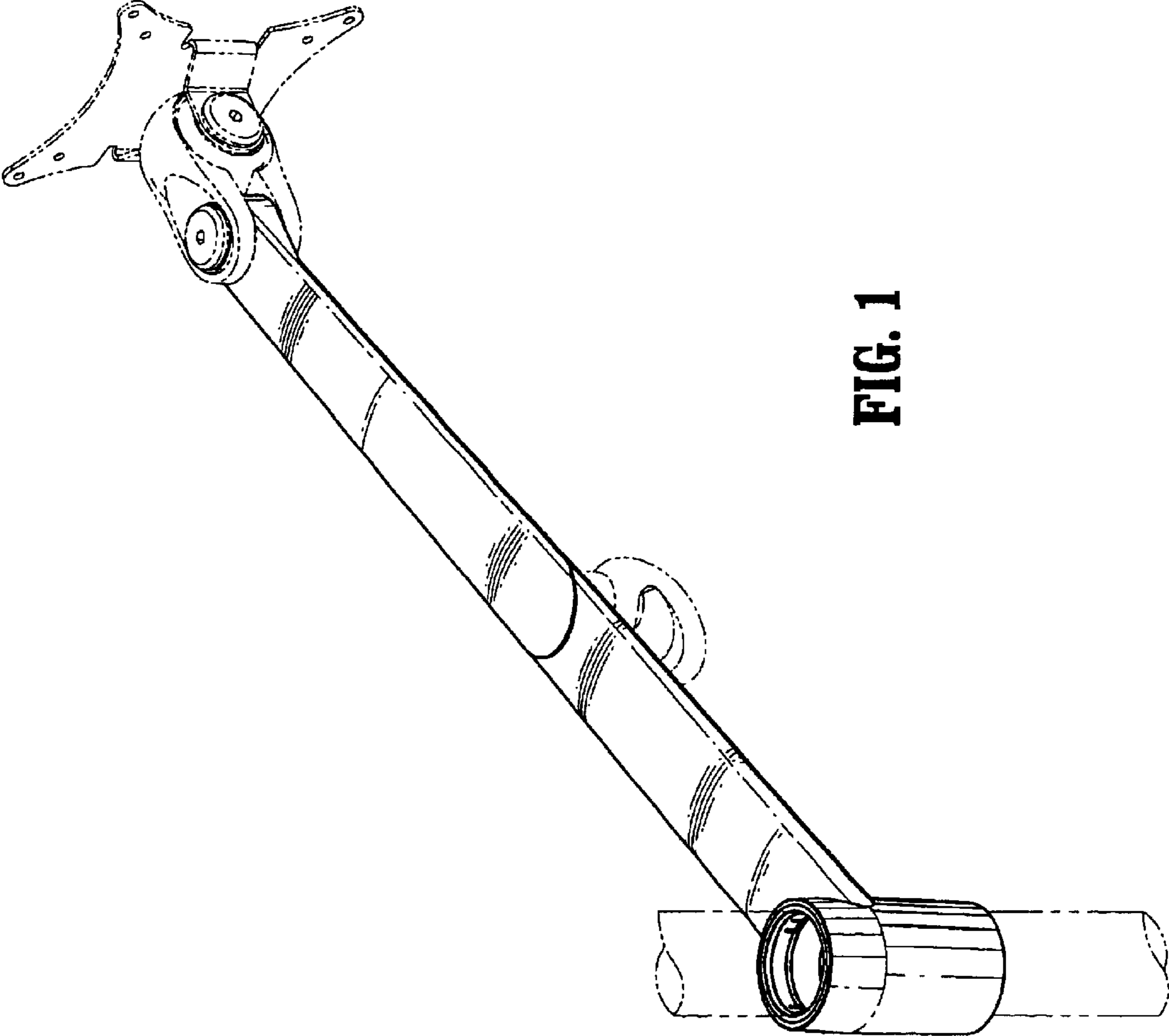


FIG. 1

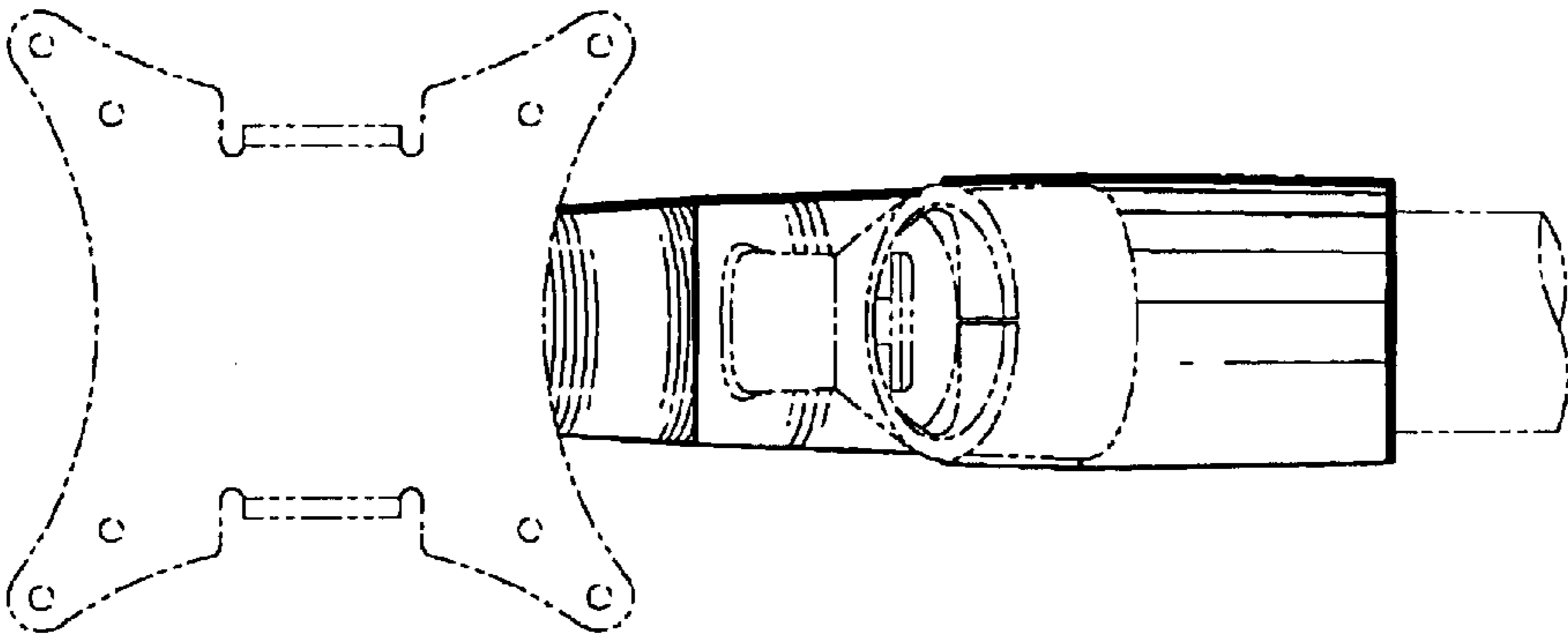


FIG. 2

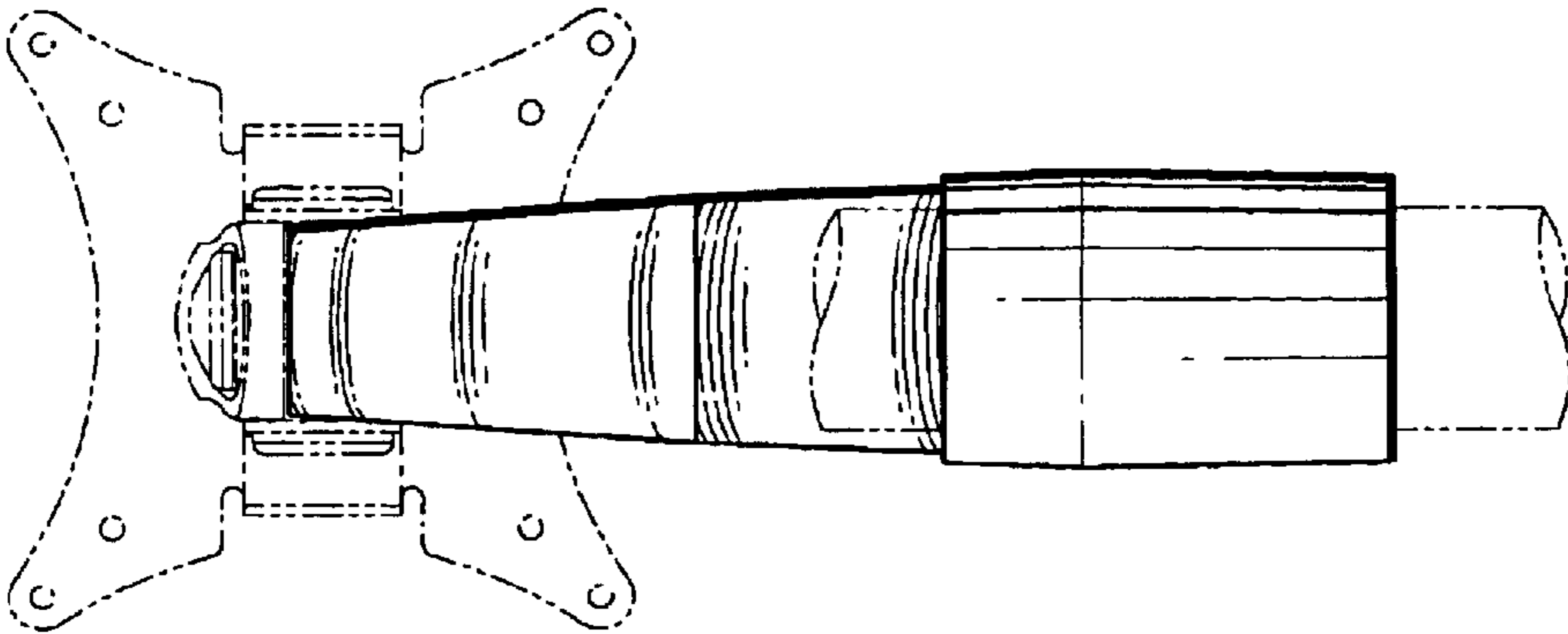


FIG. 3

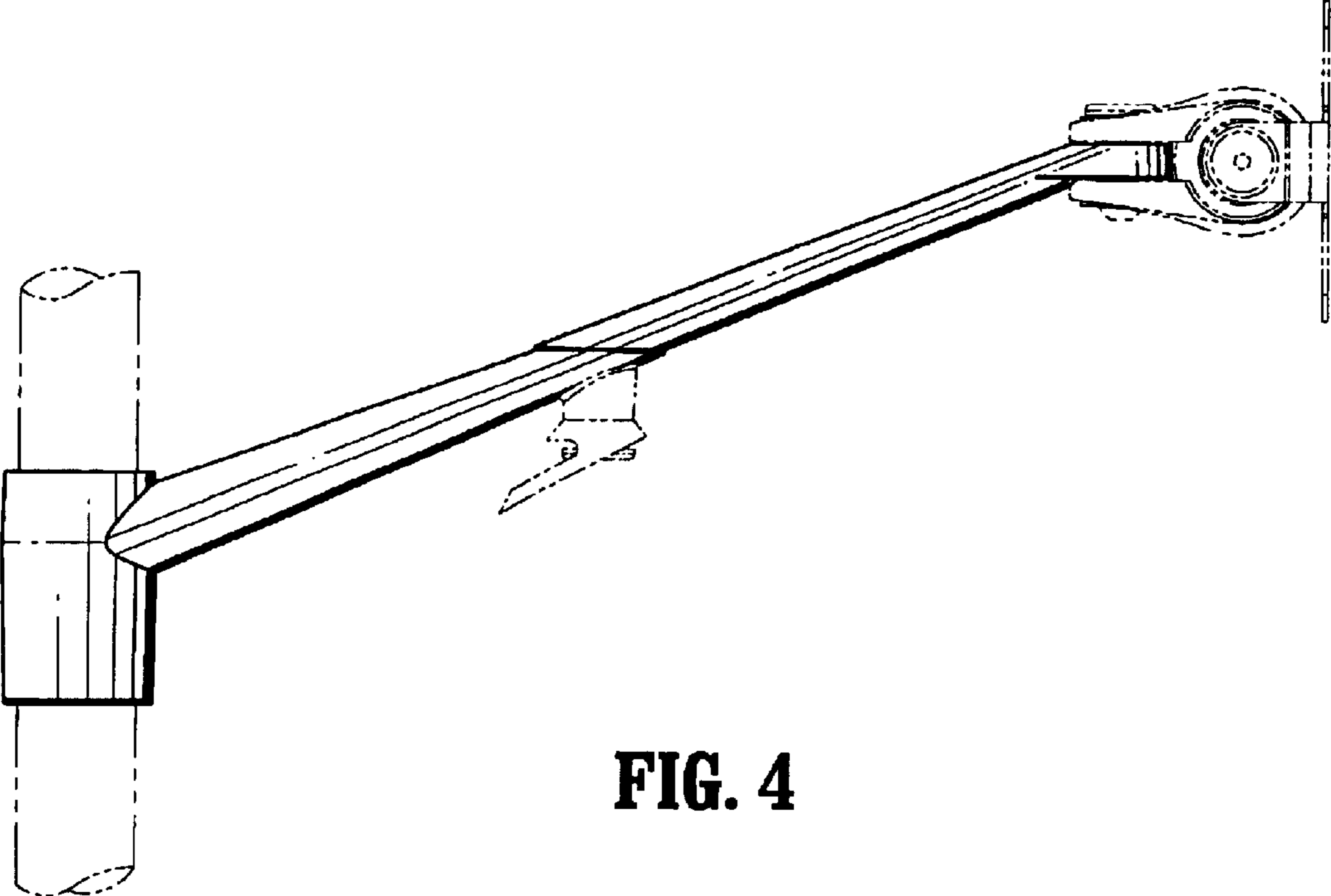


FIG. 4

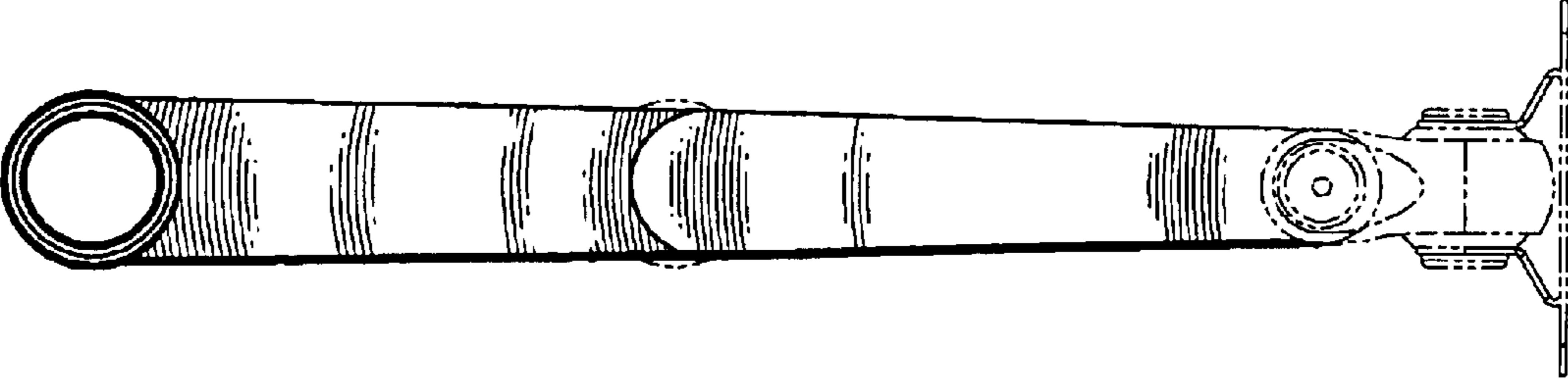


FIG. 5

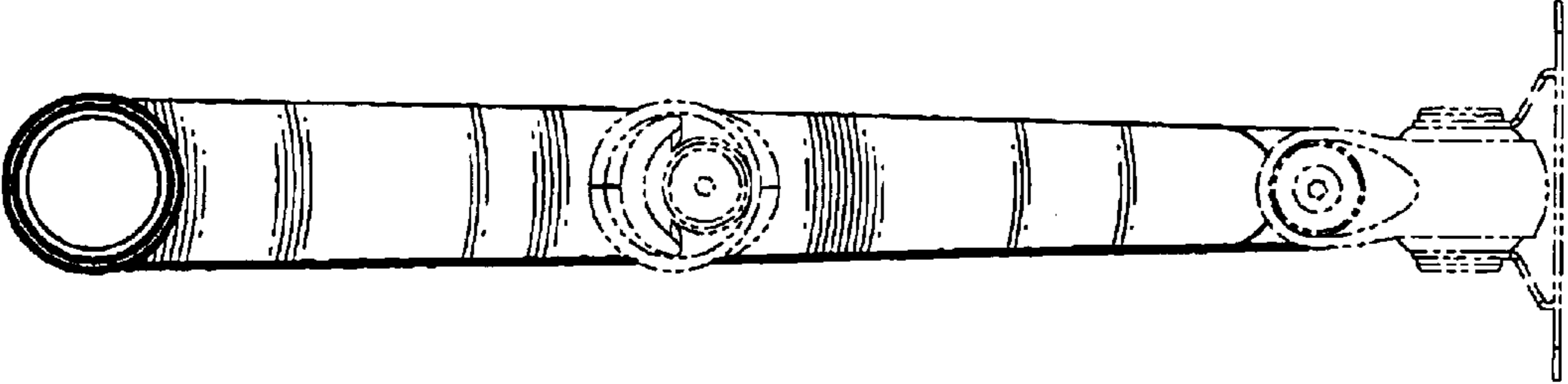


FIG. 6

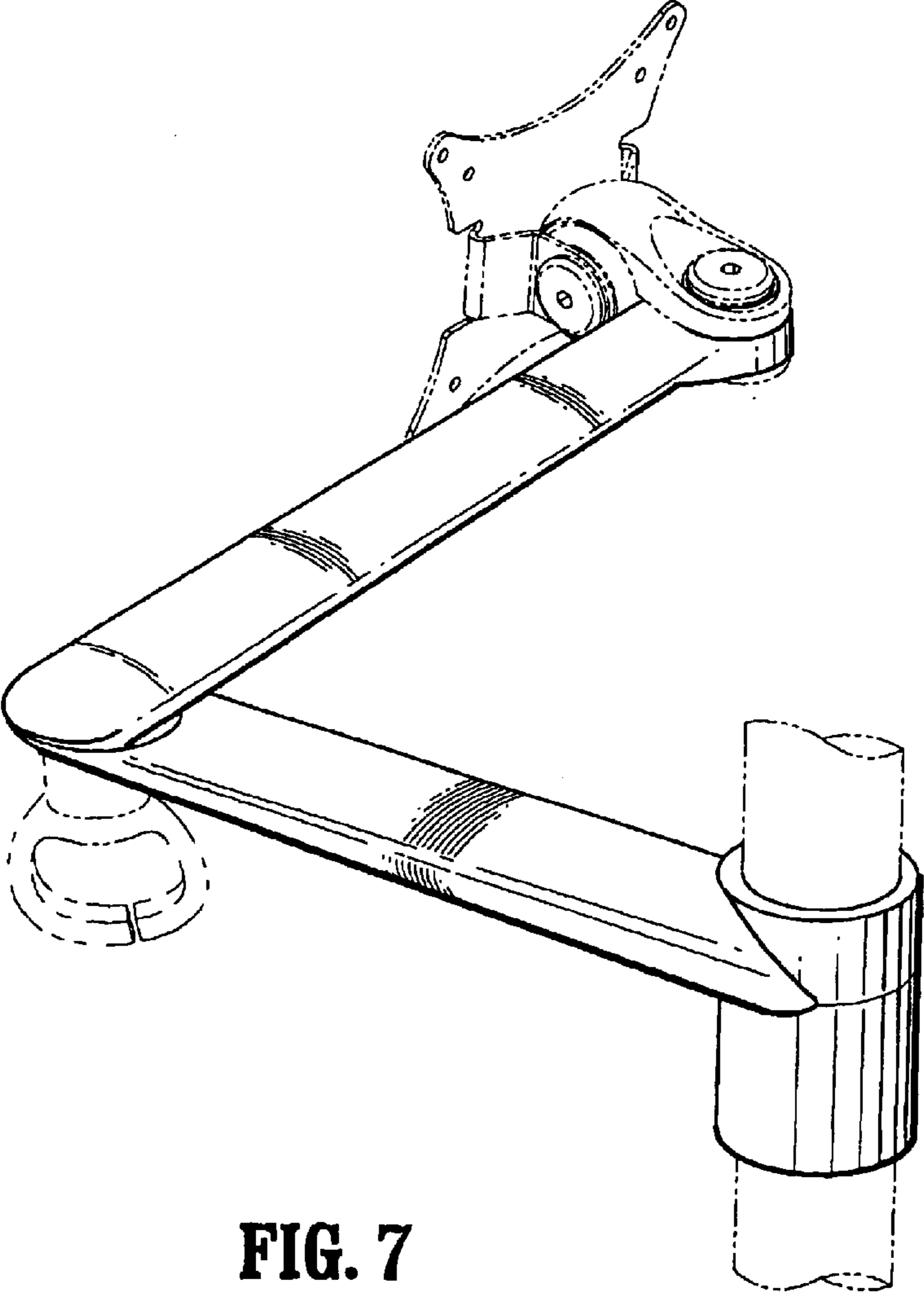


FIG. 7