

US00D494182S1

(12) **United States Design Patent**
Singer et al.

(10) **Patent No.:** **US D494,182 S**

(45) **Date of Patent:** **** Aug. 10, 2004**

(54) **TILTABLE SUPPORT FOR TOUCH SCREEN CONTROLLER**

2002/0020789 A1 * 2/2002 Li 248/175
2003/0223188 A1 * 12/2003 Ha et al. 361/681

(75) Inventors: **David C. Singer**, Plano, TX (US);
Samuel E. Ivey, Richardson, TX (US);
Lee VanLanen, Plano, TX (US)

* cited by examiner

Primary Examiner—Kay H. Chin
(74) *Attorney, Agent, or Firm*—Gardere Wynne Sewell LLP

(73) Assignee: **AMX Corporation**, Richardson, TX (US)

(57) **CLAIM**

(**) Term: **14 Years**

The ornamental design for a tiltable support for touch screen controller, as shown and described.

(21) Appl. No.: **29/189,326**

DESCRIPTION

(22) Filed: **Sep. 3, 2003**

(51) **LOC (7) Cl.** **14-02**

(52) **U.S. Cl.** **D14/451; D14/447**

(58) **Field of Search** D14/432, 434,
D14/447, 451, 452; 248/175, 278.1, 346.01,
346.02, 346.06, 917-924; D13/184, 199;
361/679-685

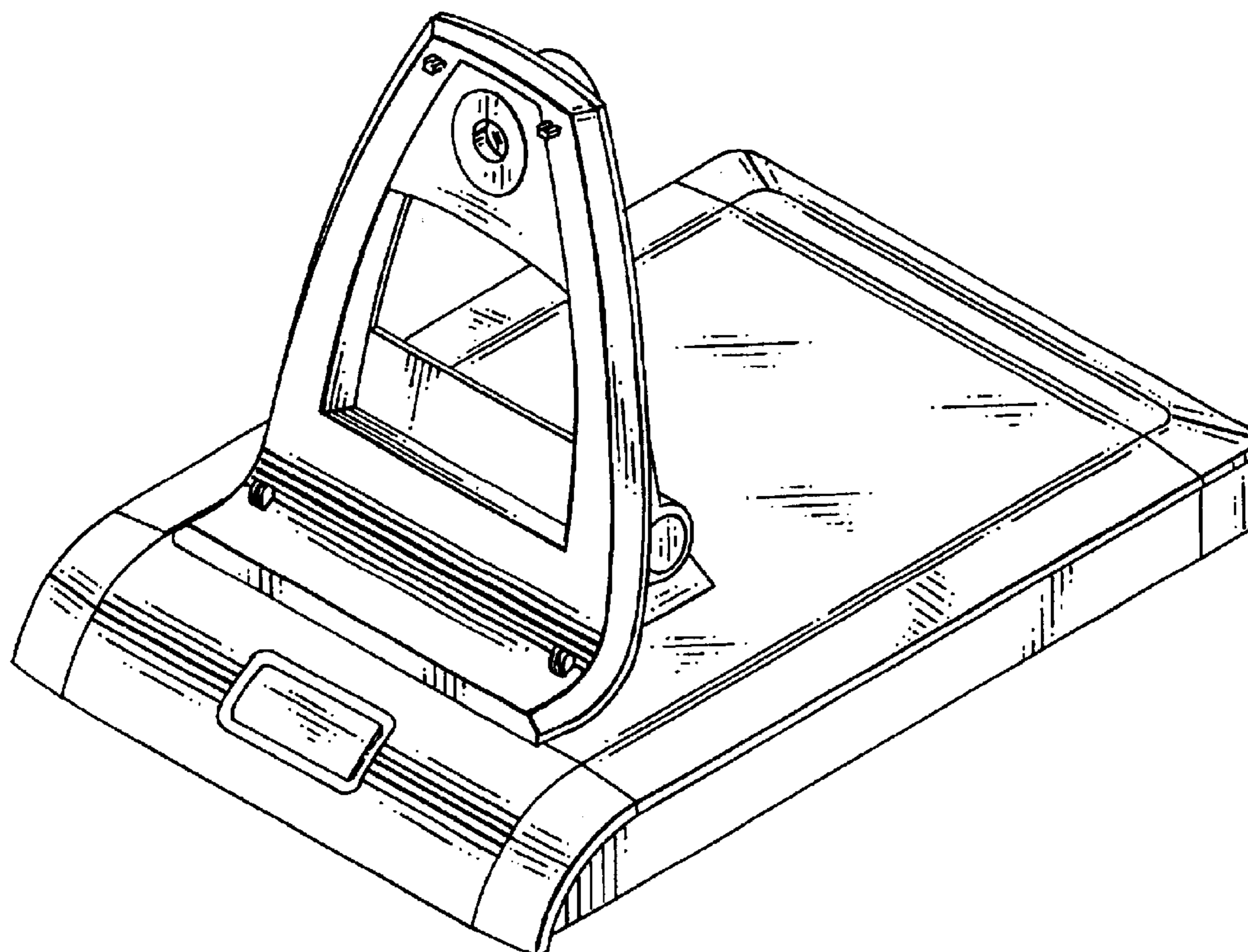
FIG. 1 is a perspective view of a tiltable support for touch screen controller in accordance with our invention; FIG. 2 is a front elevation view of the tiltable support for touch screen controller shown in FIG. 1; FIG. 3 is a rear elevation view of the tiltable support for touch screen controller shown in FIG. 1; FIG. 4 is a left side elevation view of the tiltable support for touch screen controller shown in FIG. 1; FIG. 5 is a right side elevation view of the tiltable support for touch screen controller shown in FIG. 1; FIG. 6 is a top plan view of the tiltable support for touch screen controller shown in FIG. 1; and, FIG. 7 is a bottom plan view of the tiltable support for touch screen controller shown in FIG. 1.

(56) **References Cited**

U.S. PATENT DOCUMENTS

D276,612 S * 12/1984 McVicker et al. D14/451
D427,163 S * 6/2000 Bergeron Gull et al. ... D14/452
D447,749 S * 9/2001 Deuschle D14/447
D480,730 S * 10/2003 Doherty et al. D14/447

1 Claim, 4 Drawing Sheets



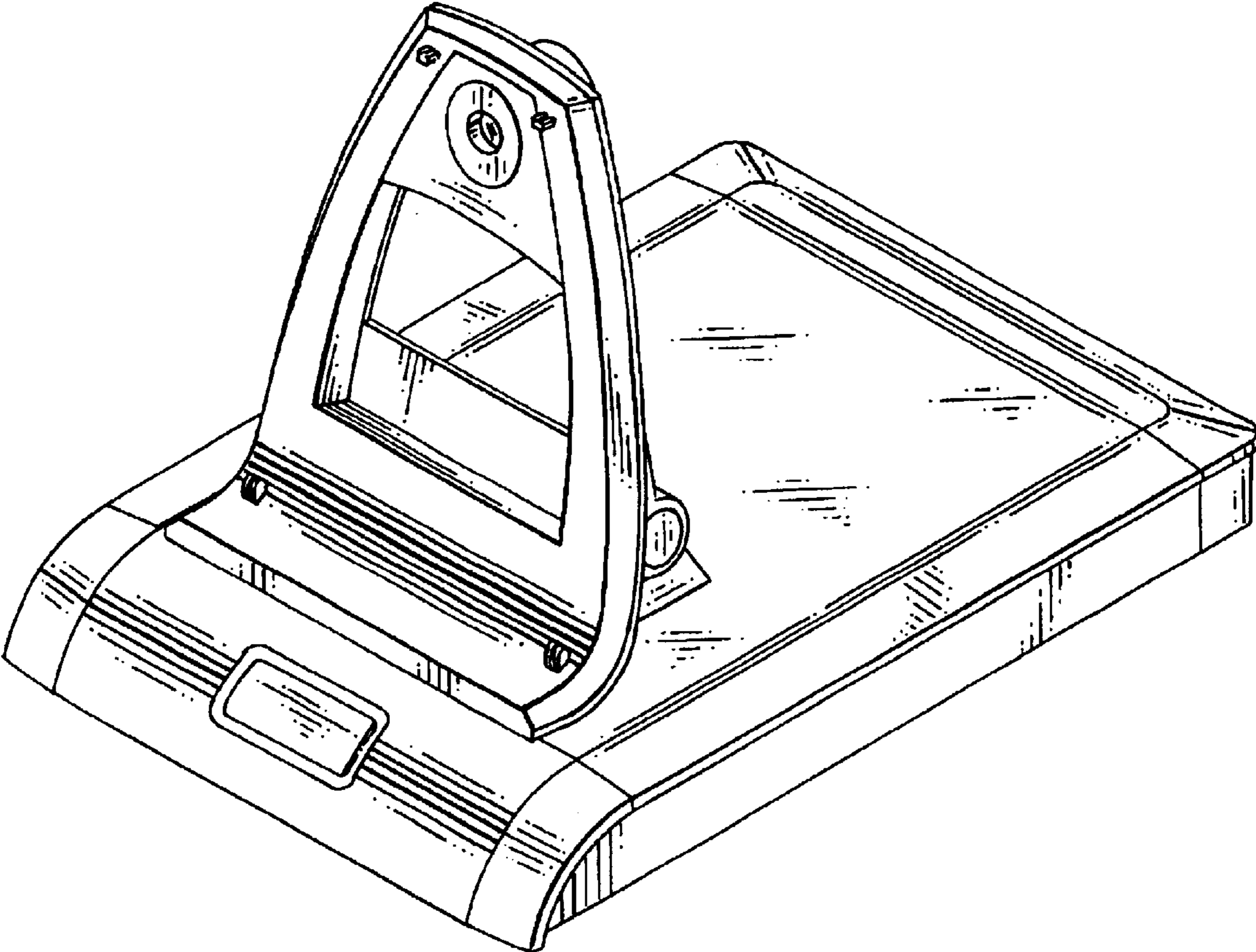


FIG. 1

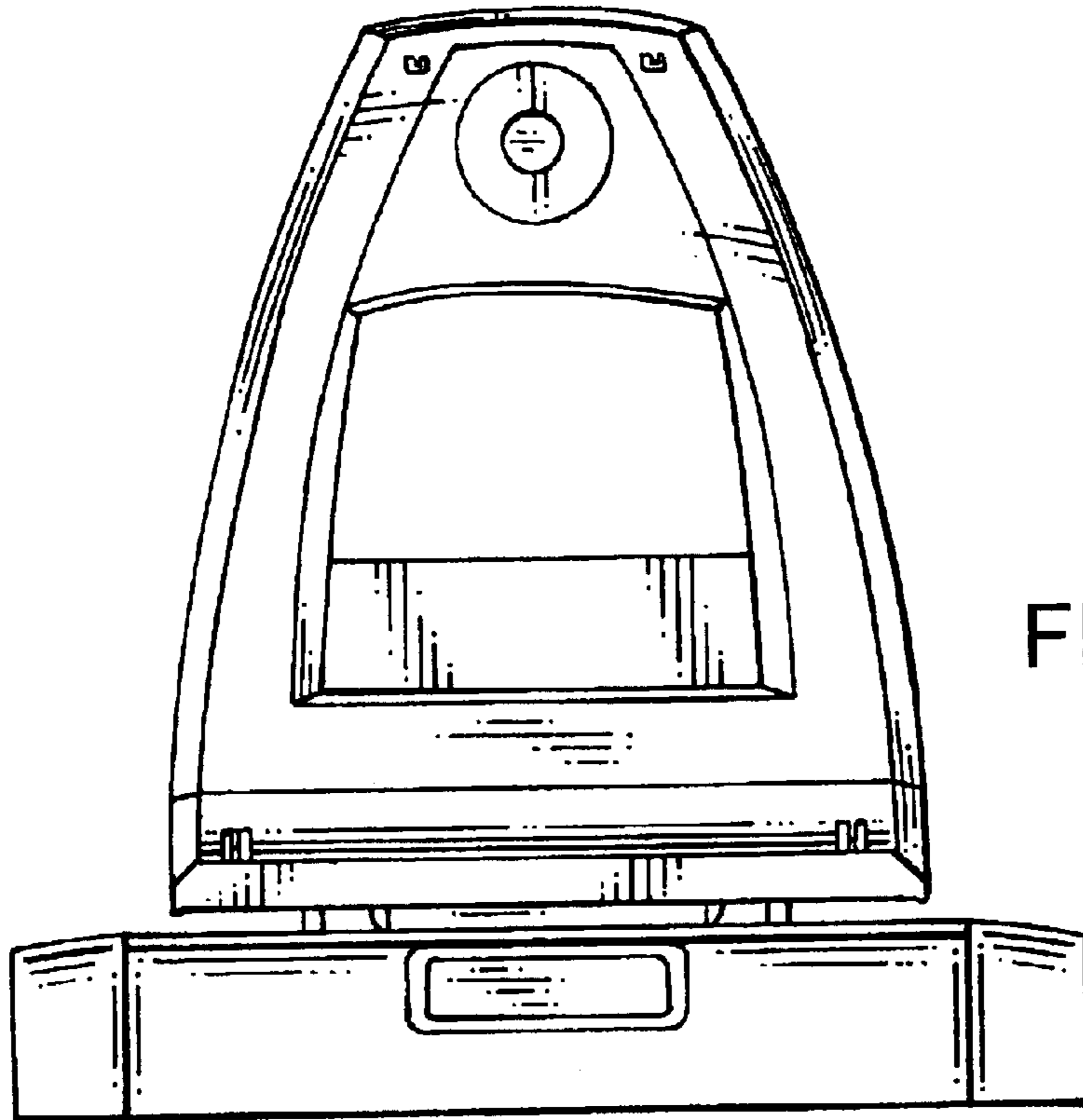


FIG. 2

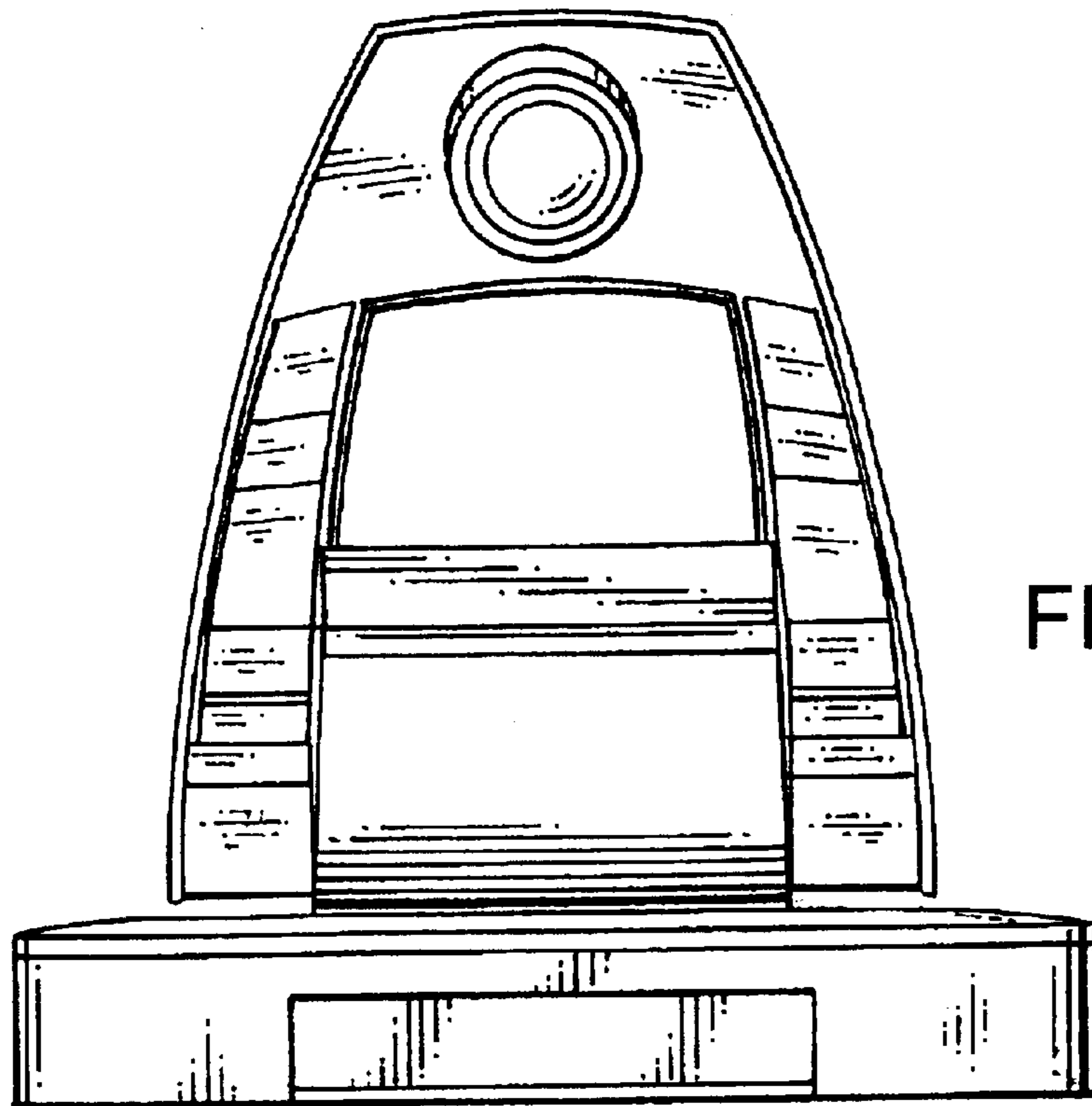
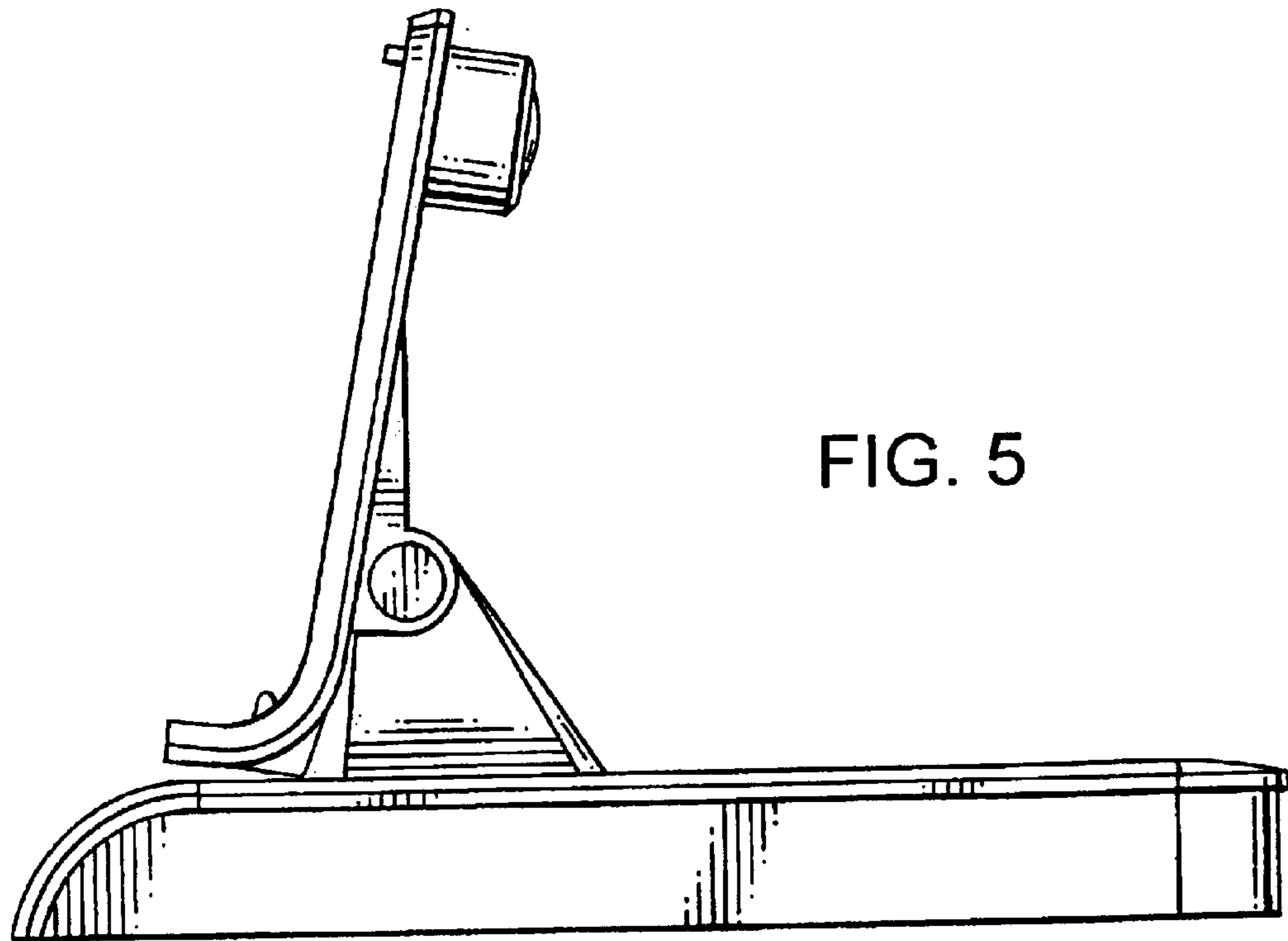
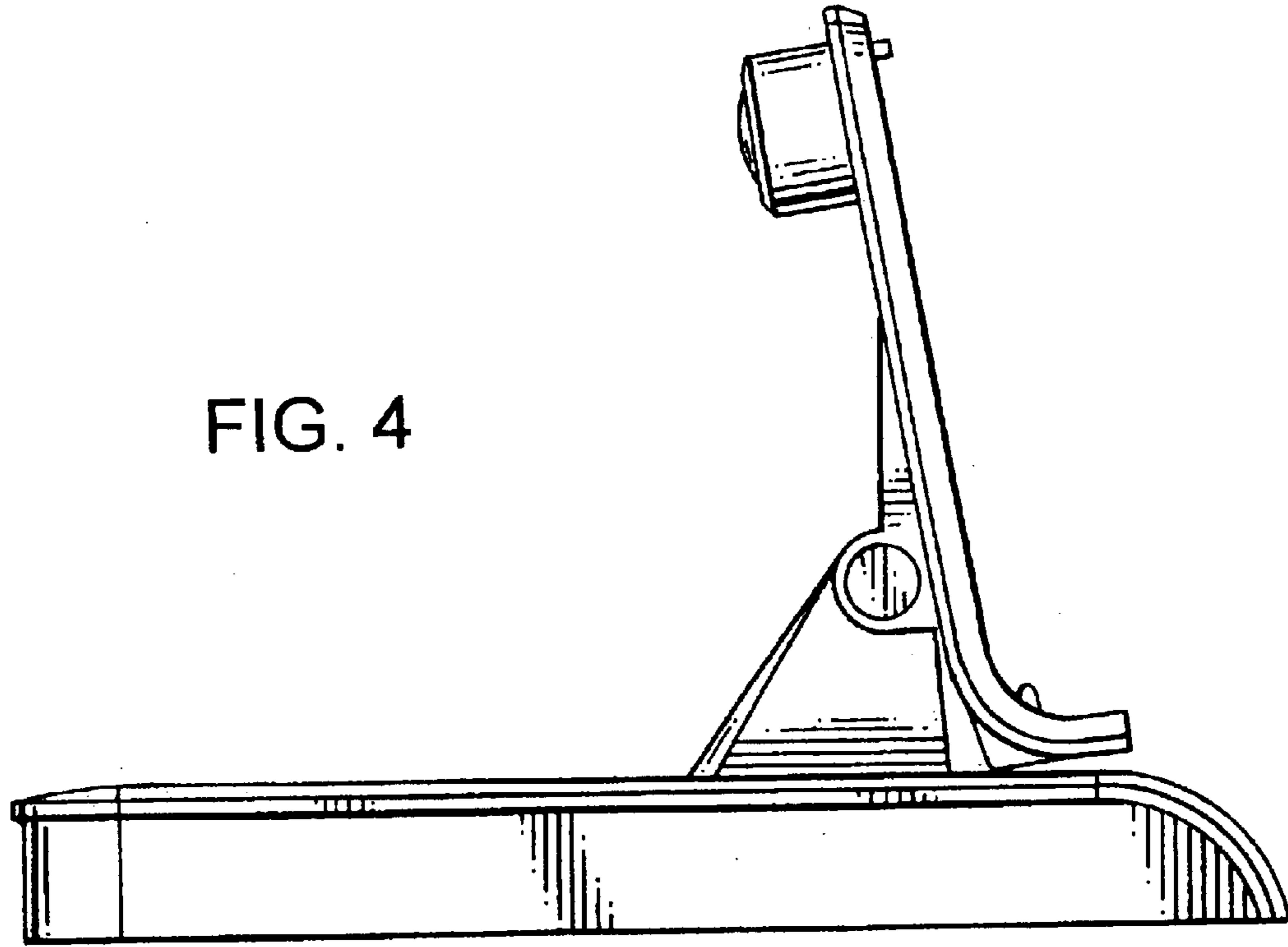


FIG. 3



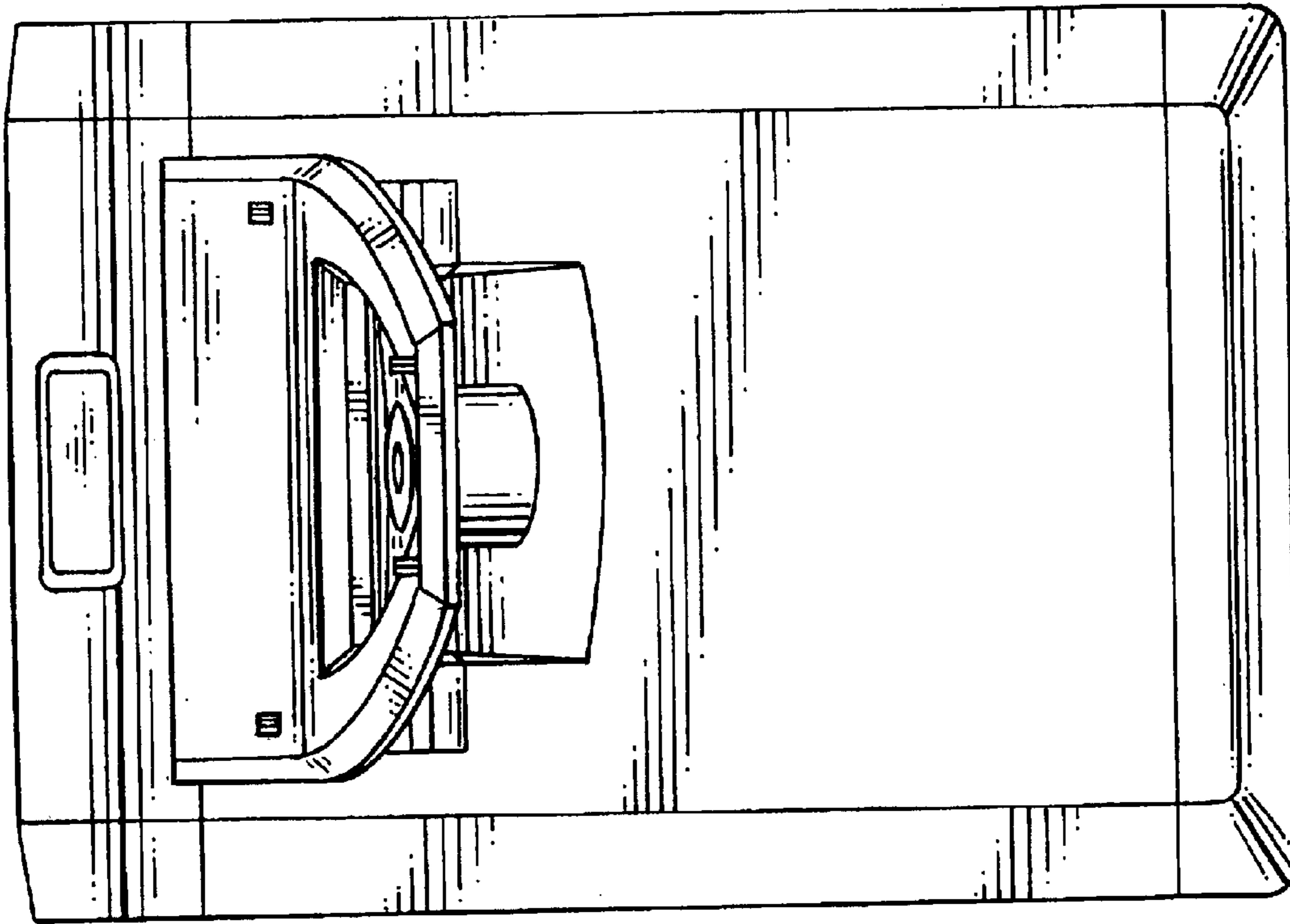


FIG. 6

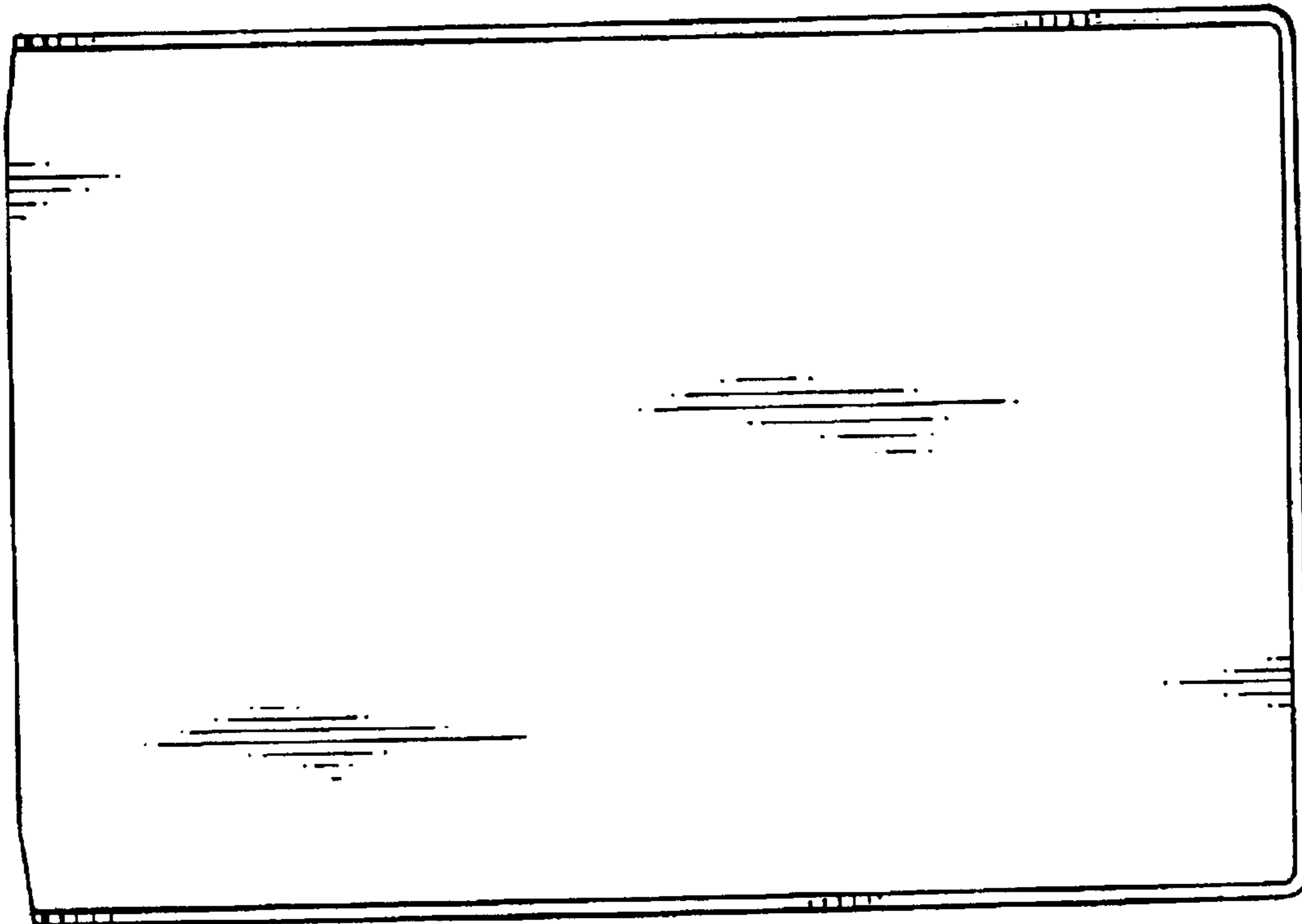


FIG. 7