

US00D494180S1

(12) **United States Design Patent**  
**Taniguchi**

(10) **Patent No.:** **US D494,180 S**

(45) **Date of Patent:** **\*\* Aug. 10, 2004**

(54) **IC CARD**

(75) **Inventor:** **Toshiyuki Taniguchi, Kabashu-ku (JP)**

(73) **Assignee:** **Kabushiki Kaisha Toshiba, Tokyo (JP)**

(\*\*) **Term:** **14 Years**

(21) **Appl. No.:** **29/181,169**

(22) **Filed:** **May 7, 2003**

(51) **LOC (7) Cl. .... 14-02**

(52) **U.S. Cl. .... D14/436**

(58) **Field of Search** ..... D14/435-438,  
D14/478-480; 361/737, 686, 736, 752;  
257/678, 679; 40/124.01; 283/75, 76, 901;  
235/487-495, 441-443, 375; 174/52.1;  
439/135, 140, 76.1

(56) **References Cited**

**U.S. PATENT DOCUMENTS**

D444,473 S	7/2001	Okamoto et al.
D445,111 S	7/2001	Okamoto et al.
D446,525 S	8/2001	Okamoto et al.
D452,243 S	12/2001	Wallace
D452,865 S	1/2002	Wallace et al.
D459,355 S	6/2002	Shimoda et al.
D460,456 S	7/2002	Shimoda et al.
D467,586 S	12/2002	Shimoda et al.

**FOREIGN PATENT DOCUMENTS**

JP	10-39177	5/1999
JP	10-85564	9/2000
JP	10-90240	11/2000
JP	10-90338	11/2000
JP	10-90339	11/2000
JP	11-00574	2/2001
JP	11-30724	1/2002

**OTHER PUBLICATIONS**

Extract from the Denpa Shimbun, Showing a SD Card (CEX0106).

*Primary Examiner*—Kay H. Chin

(74) *Attorney, Agent, or Firm*—Banner & Witcoff, Ltd.

(57) **CLAIM**

The ornamental design for an IC card, as shown and described.

**DESCRIPTION**

FIG. 1 is a front, bottom and left side perspective view of an IC card, showing my new design;

FIG. 2 is a top plan view thereof;

FIG. 3 is a front elevational view thereof;

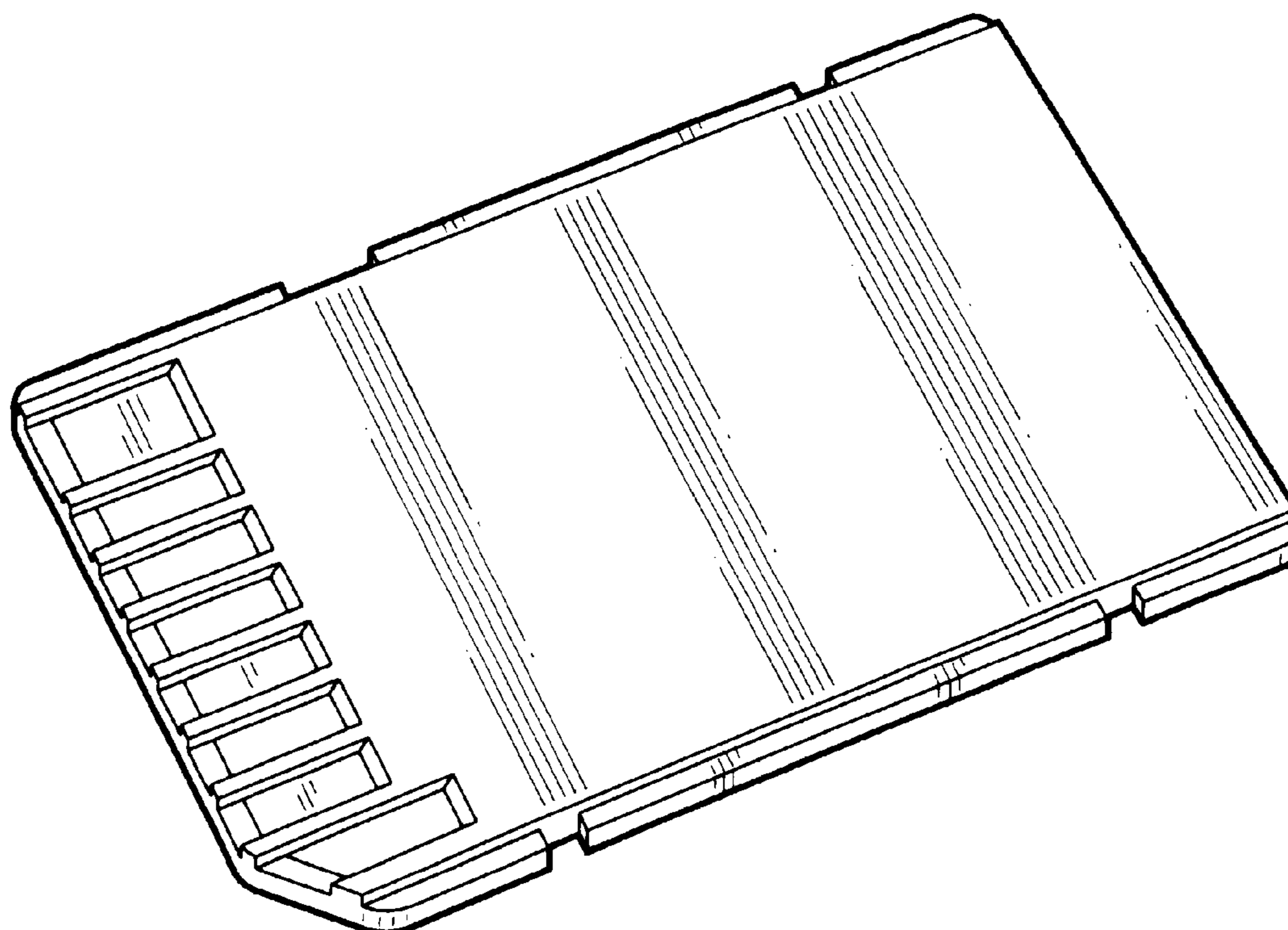
FIG. 4 is a right side elevational view thereof;

FIG. 5 is a bottom plan view thereof;

FIG. 6 is a rear elevational view thereof; and,

FIG. 7 is a left side elevational view thereof.

**1 Claim, 2 Drawing Sheets**



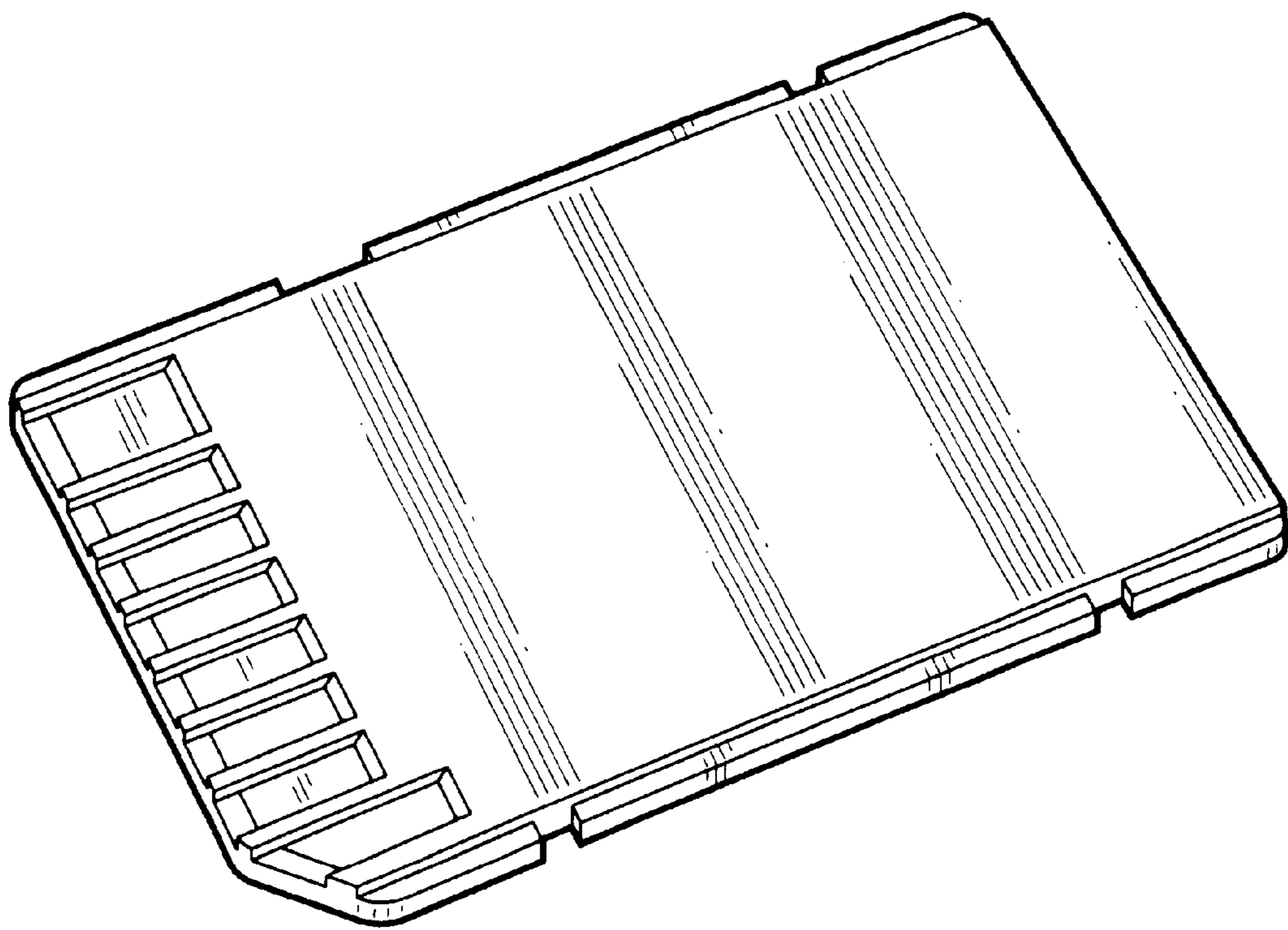


FIG.1

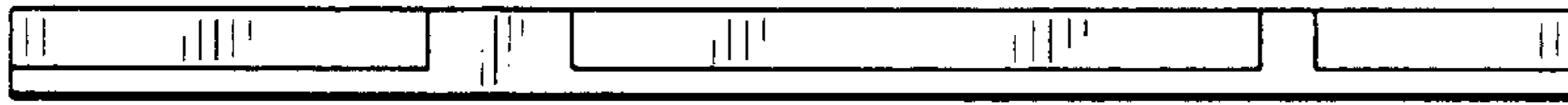


FIG. 2

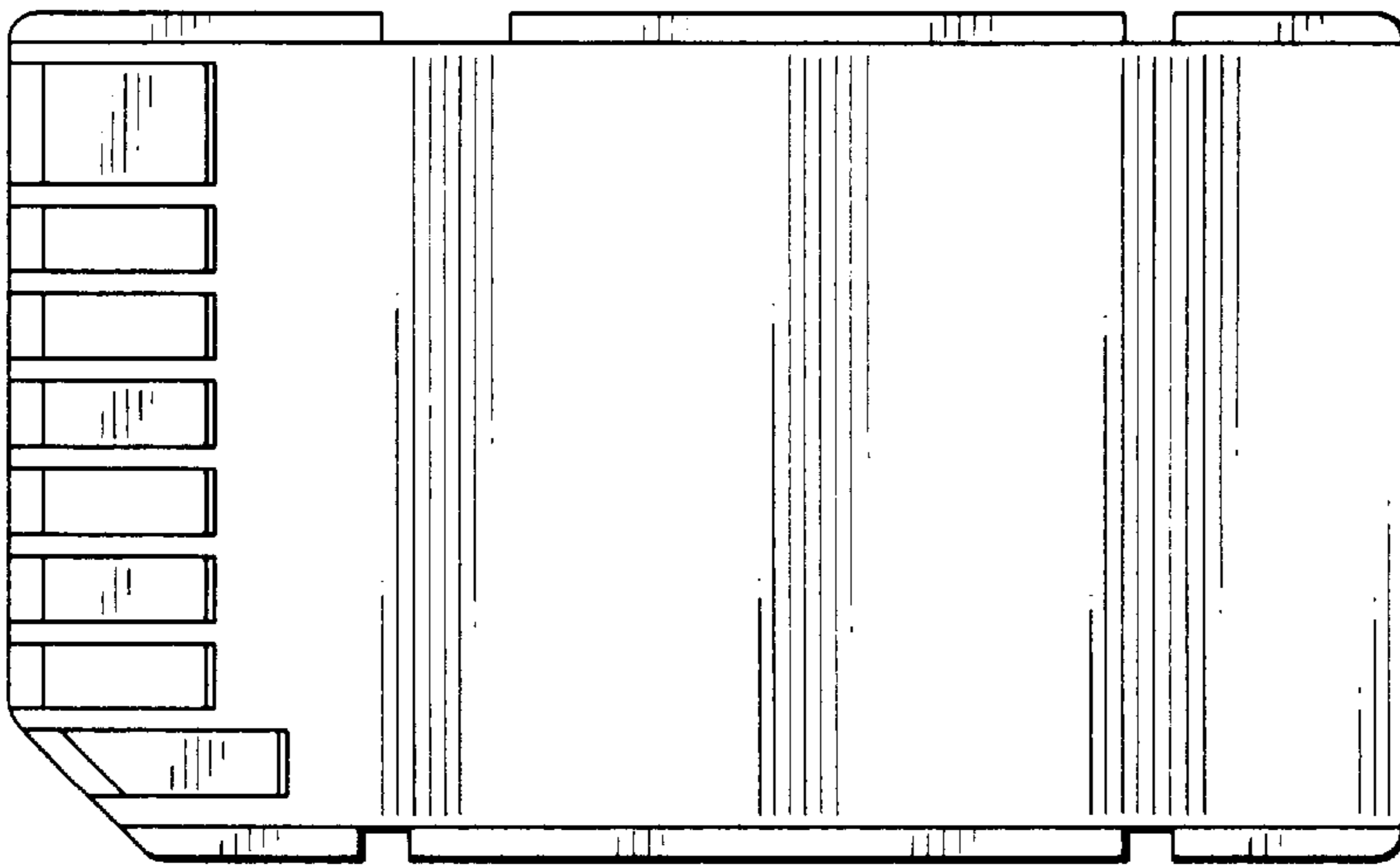


FIG. 3



FIG. 4

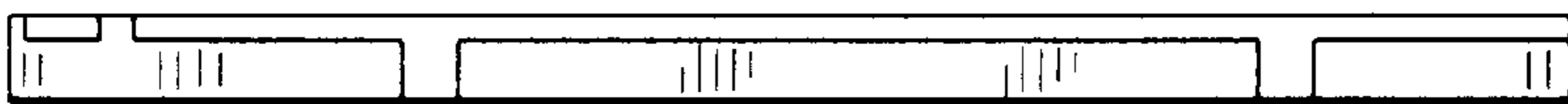


FIG. 5

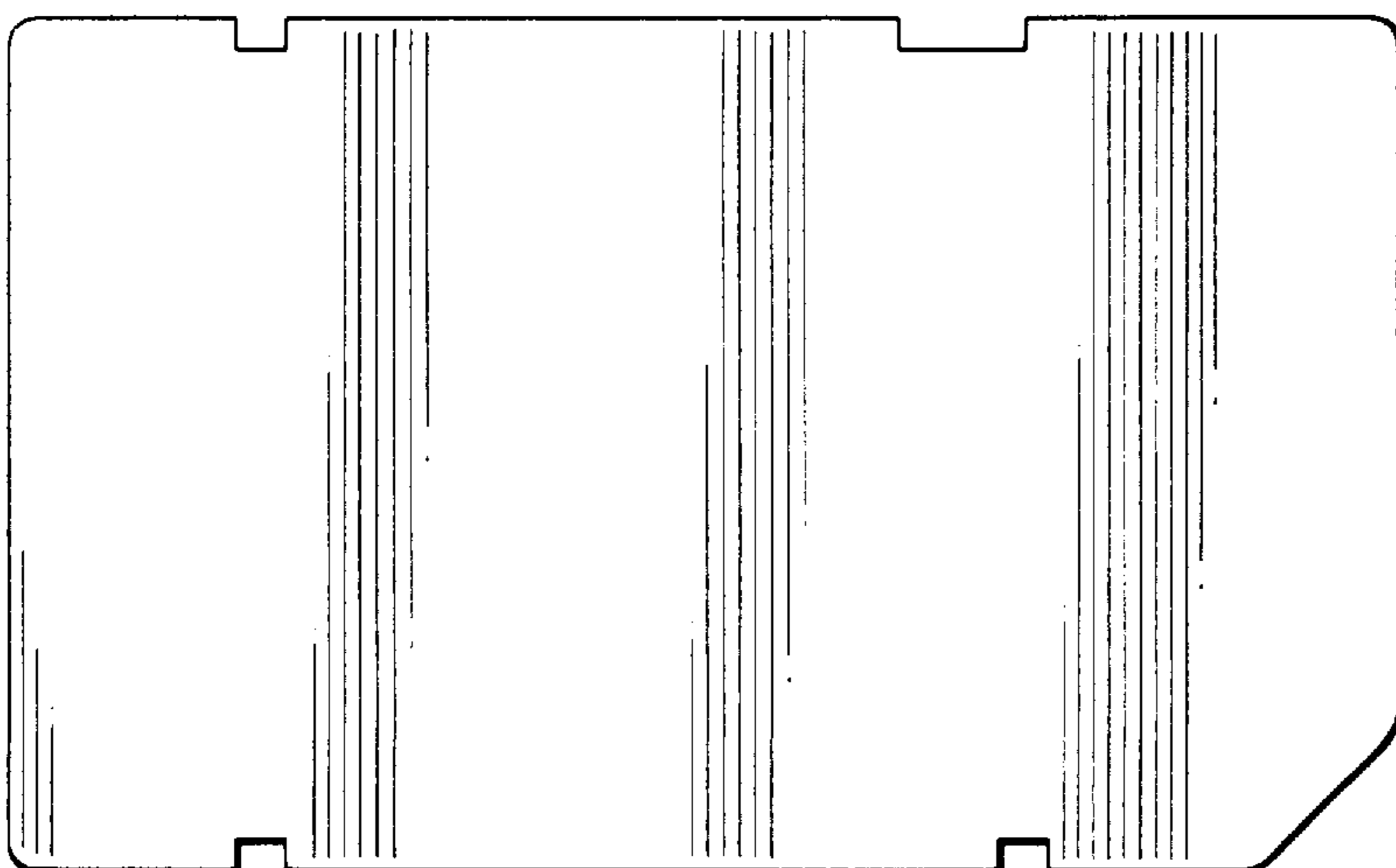


FIG. 6



FIG. 7

UNITED STATES PATENT AND TRADEMARK OFFICE  
**CERTIFICATE OF CORRECTION**

PATENT NO. : Des. 494,180 S  
DATED : August 10, 2004  
INVENTOR(S) : Toshiyuki Taniguchi

Page 1 of 1

It is certified that error appears in the above-identified patent and that said Letters Patent is hereby corrected as shown below:

Title page.

Item [75], Inventors, please replace "**Kabashu-hu**" with -- **Itabashi-ku** --.

Signed and Sealed this

Fifth Day of April, 2005

A handwritten signature in black ink on a light gray dotted background. The signature reads "Jon W. Dudas" in a cursive style.

JON W. DUDAS

*Director of the United States Patent and Trademark Office*