

US00D494176S1

(12) **United States Design Patent**
Porter et al.

(10) **Patent No.:** **US D494,176 S**

(45) **Date of Patent:** **** Aug. 10, 2004**

(54) **TABLETOP MOUNTABLE TOUCH SCREEN CONTROLLER**

(75) Inventors: **Jomichael Porter**, Addison, TX (US);
Anthony D. Shoemaker, McKinney, TX (US); **Ronnie D. Rowe**, Garland, TX (US)

(73) Assignee: **AMX Corporation**, Richardson, TX (US)

(**) Term: **14 Years**

(21) Appl. No.: **29/189,323**

(22) Filed: **Sep. 3, 2003**

(51) **LOC (7) Cl.** **14-02**

(52) **U.S. Cl.** **D14/388**; D14/336

(58) **Field of Search** D14/336, 337, D14/371, 218, 320, 321, 342, 375; D13/164; 345/156, 168, 173, 901-905; 348/180, 184, 325, 739; 349/1, 2, 11, 62

(56) **References Cited**

U.S. PATENT DOCUMENTS

- D330,197 S * 10/1992 Kajita D14/320
- D349,694 S * 8/1994 Takimoto D14/321
- D395,039 S * 6/1998 Murphy et al. D14/342
- D412,897 S * 8/1999 Attwood et al. D14/388
- D416,910 S 11/1999 Vasquez

- D450,693 S * 11/2001 Wang D14/337
- D464,328 S 10/2002 Vasquez et al.
- D464,948 S 10/2002 Vasquez et al.
- D469,765 S * 2/2003 Lin D14/375

* cited by examiner

Primary Examiner—Freda S. Nunn

(74) *Attorney, Agent, or Firm*—Gardere Wynne Sewell LLP

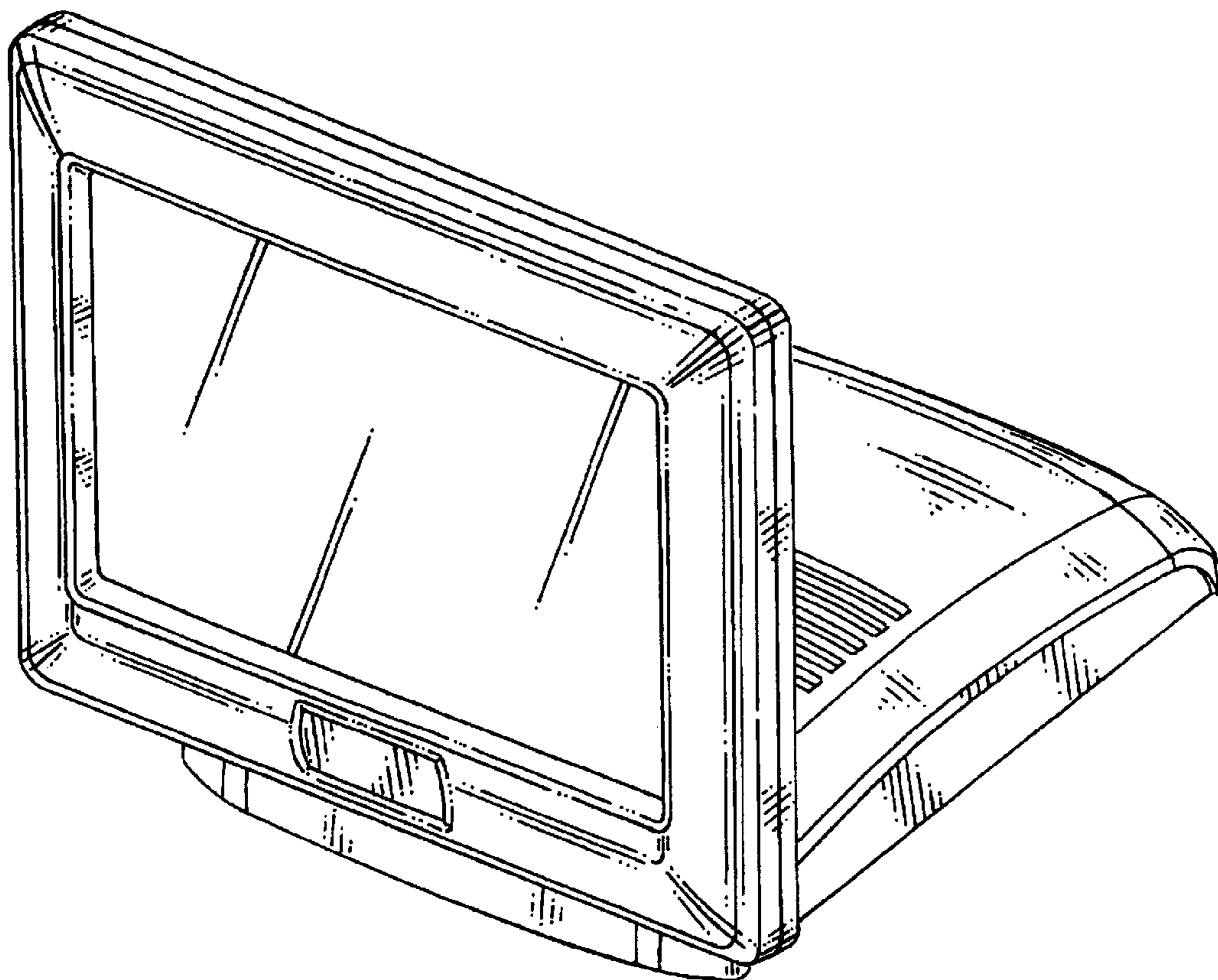
(57) **CLAIM**

The ornamental design for a tabletop mountable touch screen controller, as shown and described.

DESCRIPTION

FIG. 1 is a perspective view of a tabletop mountable touch screen controller in accordance with our invention; FIG. 2 is a front elevation view of the tabletop mountable touch screen controller shown in FIG. 1; FIG. 3 is a rear elevation view of the tabletop mountable touch screen controller shown in FIG. 1; FIG. 4 is a left side elevation view of the tabletop mountable touch screen controller shown in FIG. 1; FIG. 5 is a right side elevation view of the tabletop mountable touch screen controller shown in FIG. 1; FIG. 6 is a top plan view of the tabletop mountable touch screen controller shown in FIG. 1; and, FIG. 7 is a bottom plan view of the tabletop mountable touch screen controller shown in FIG. 1.

1 Claim, 5 Drawing Sheets



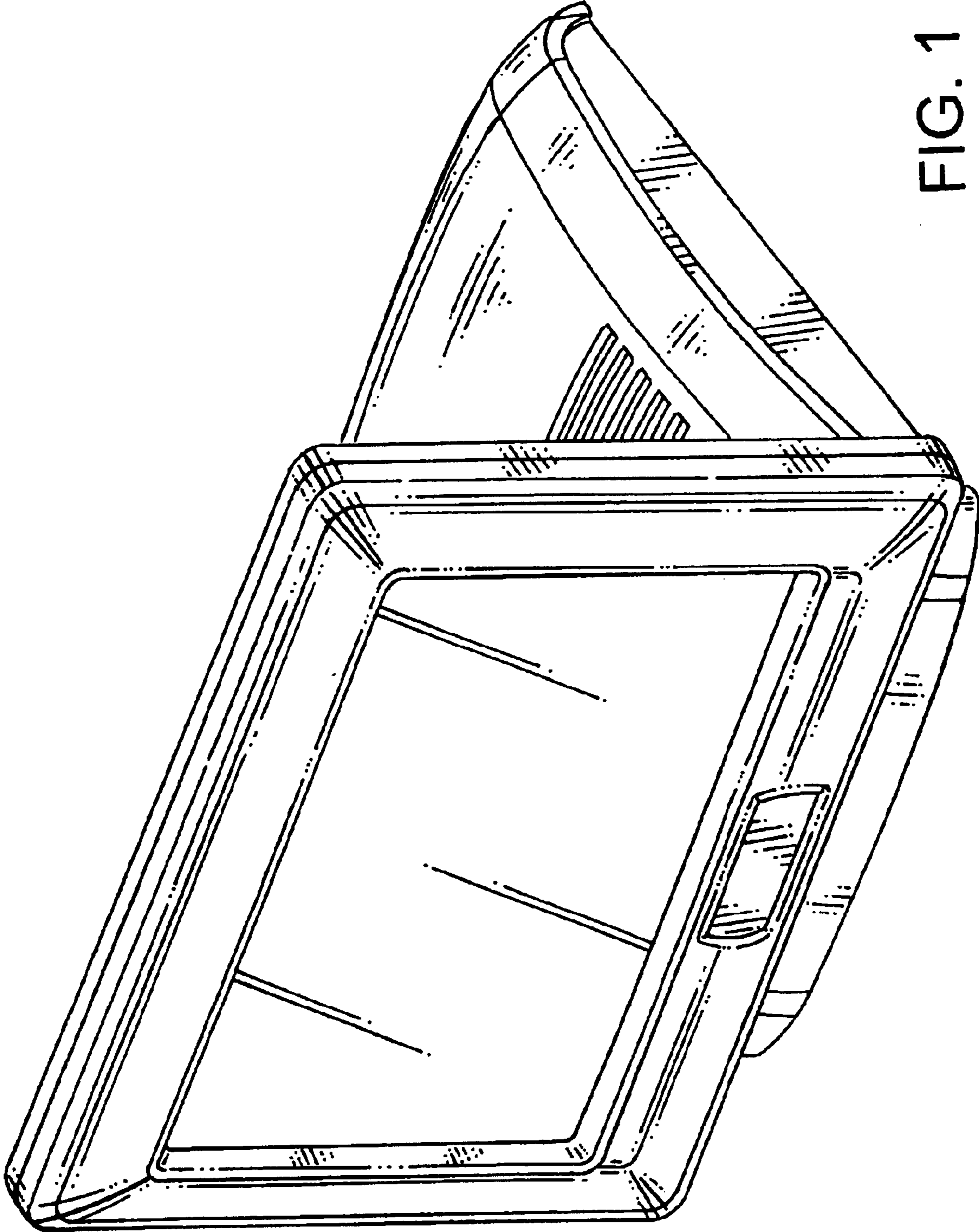


FIG. 1

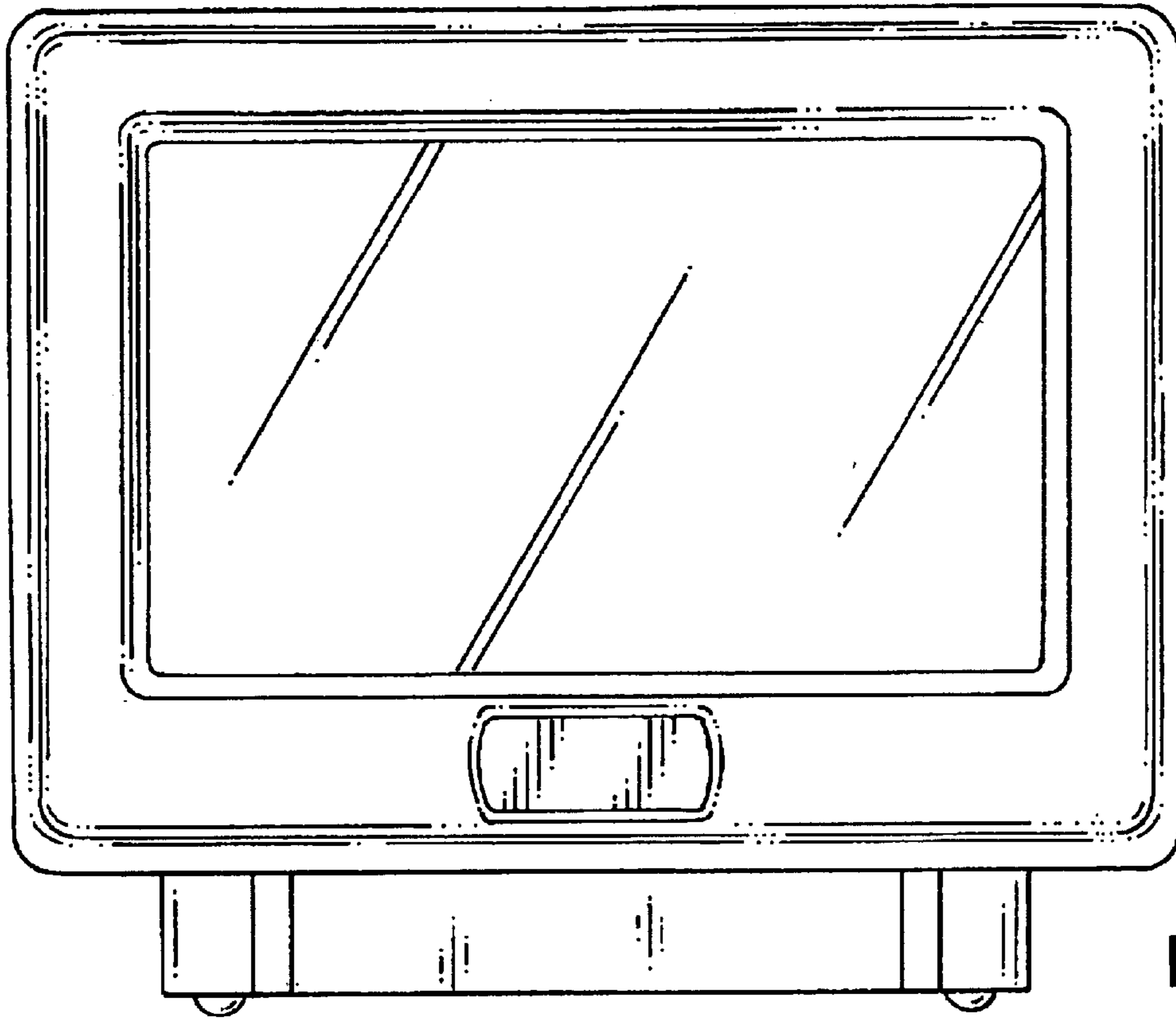


FIG. 2

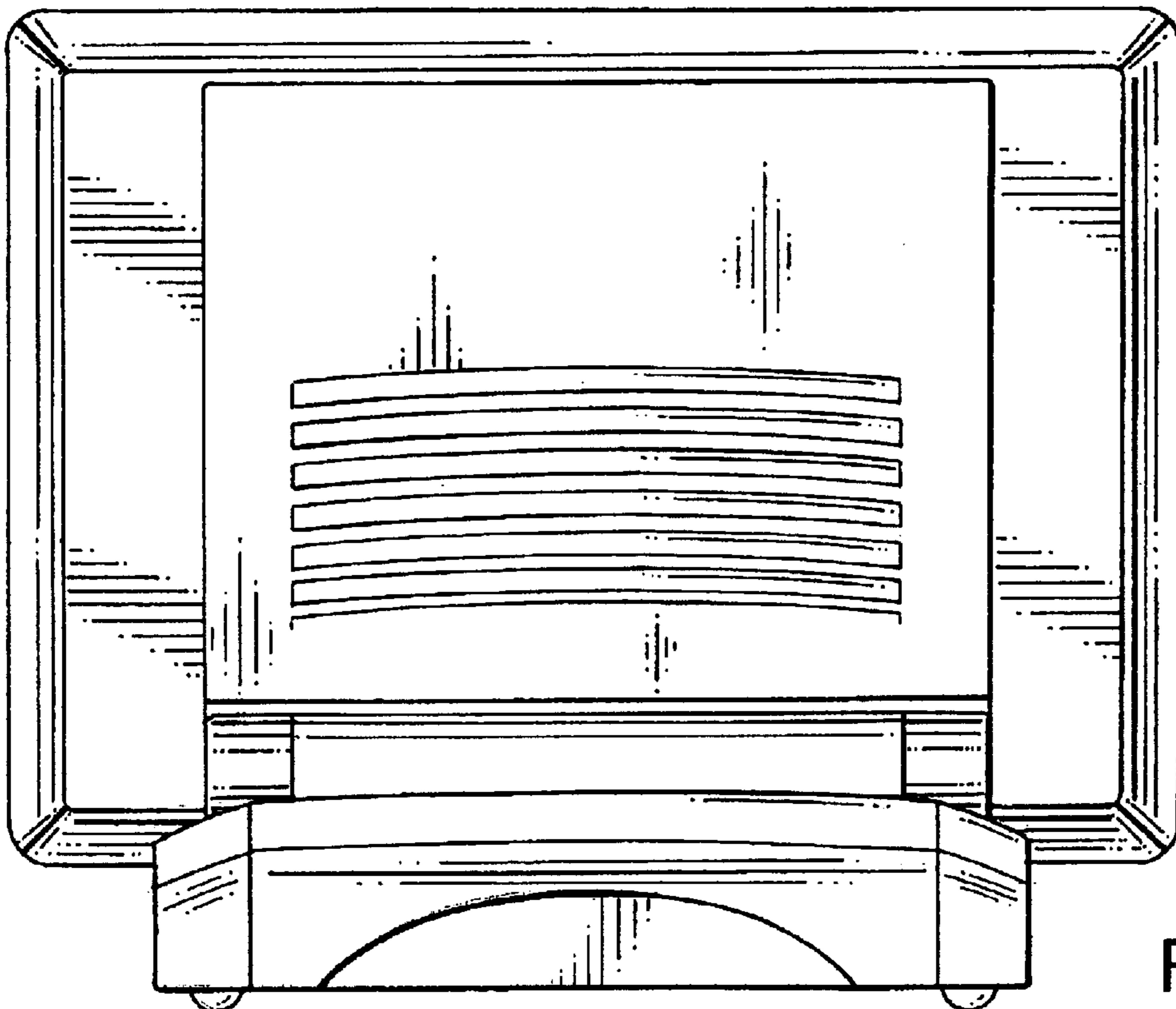


FIG. 3

FIG. 4

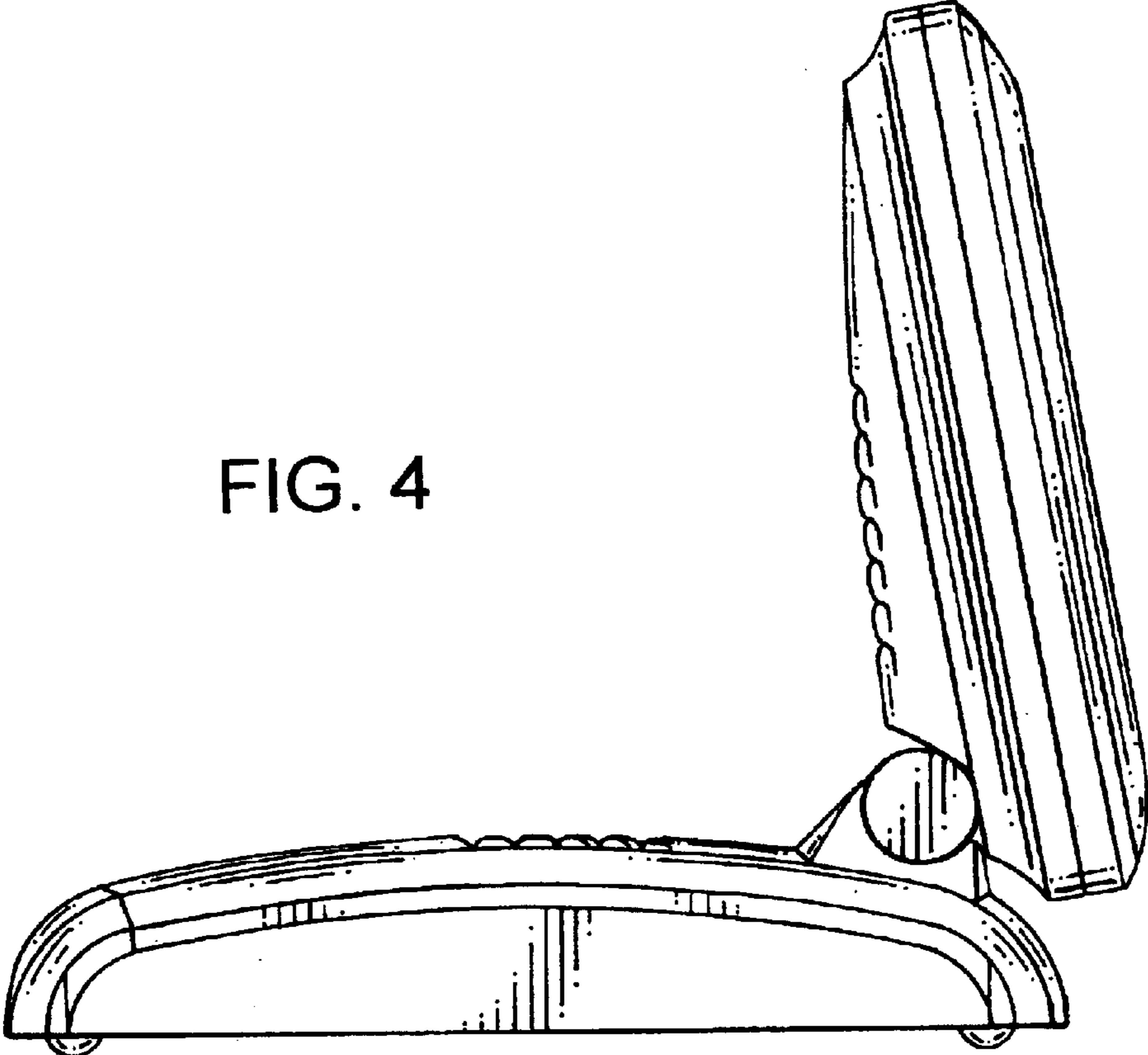
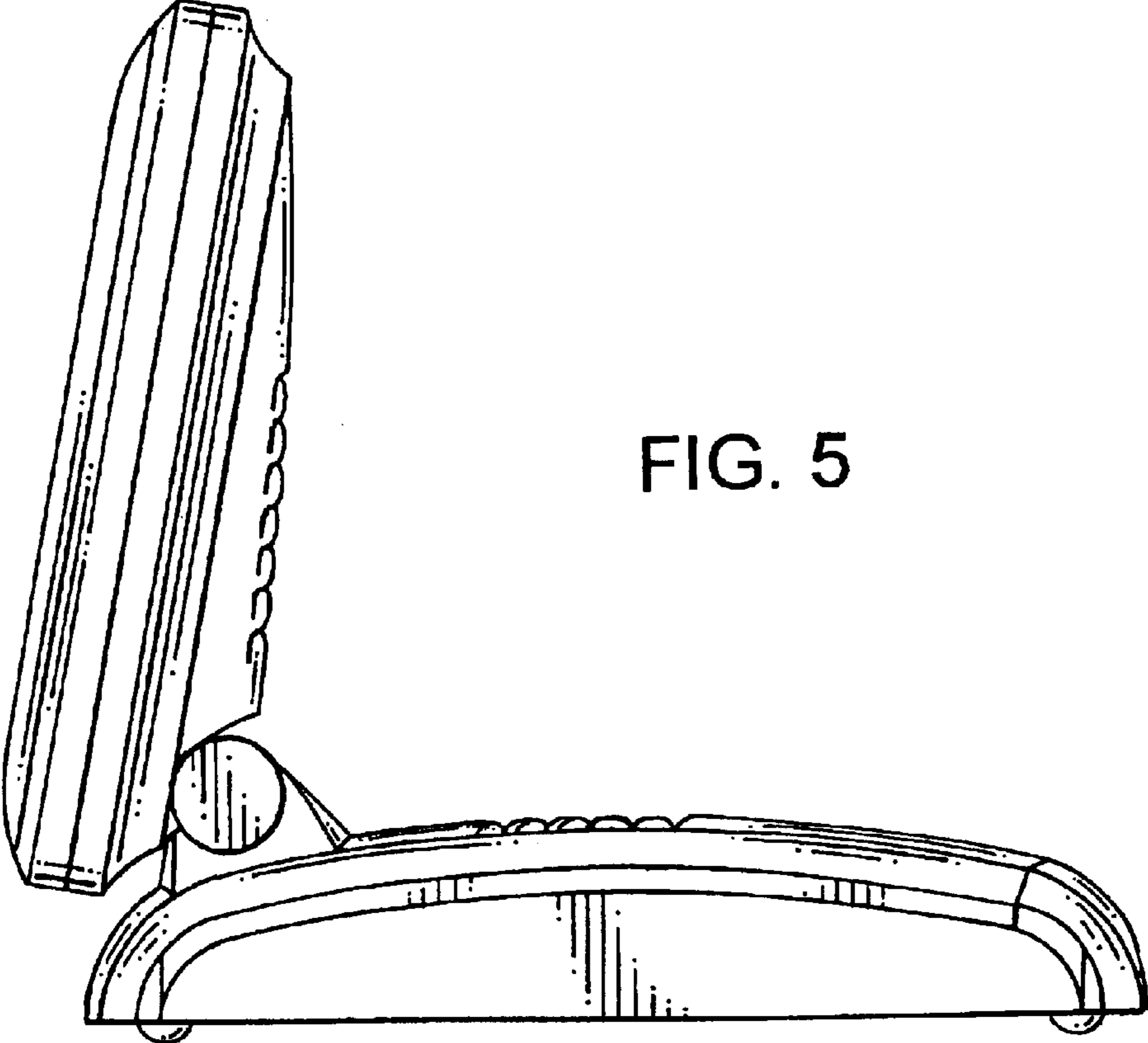


FIG. 5



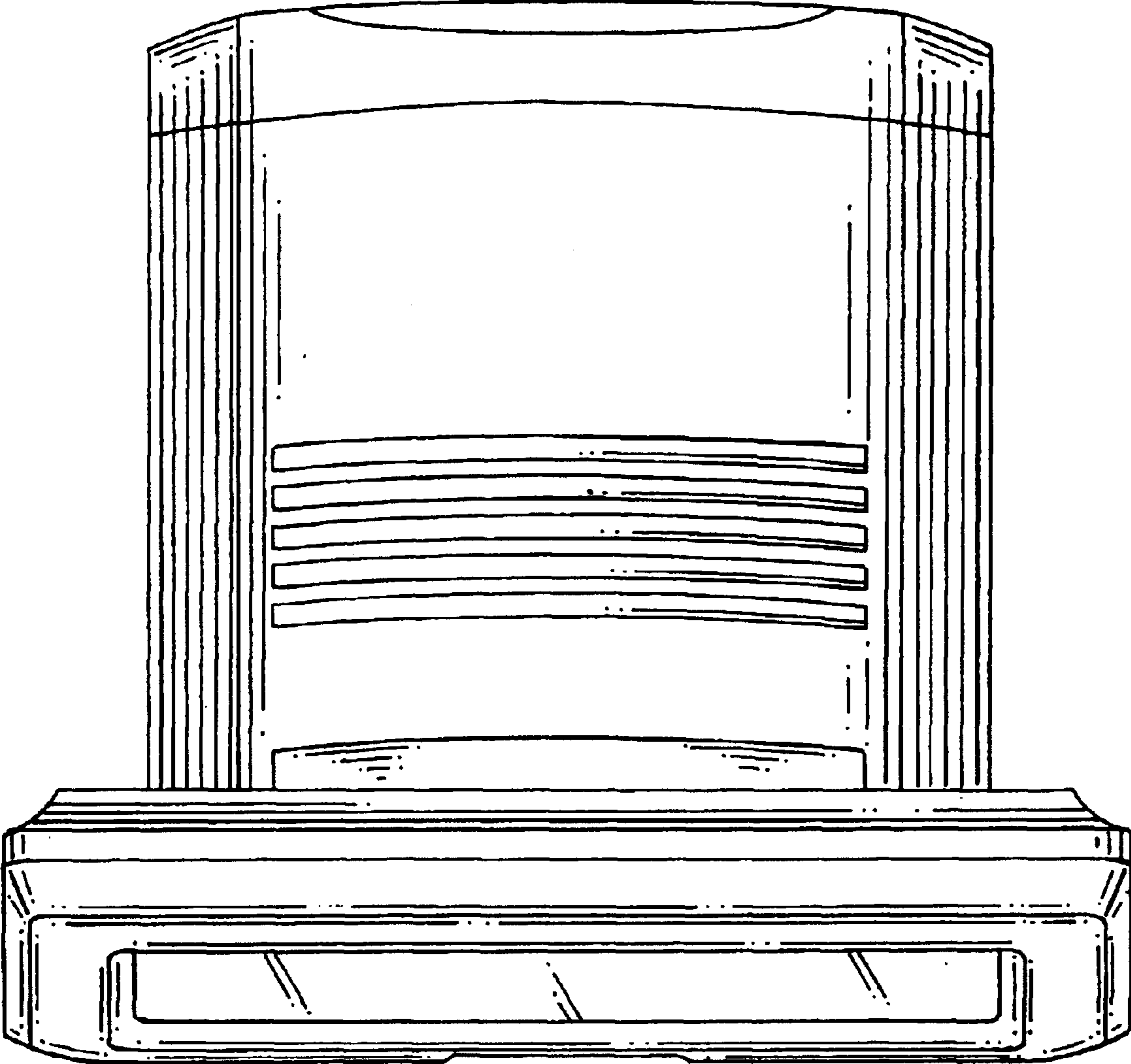


FIG. 6

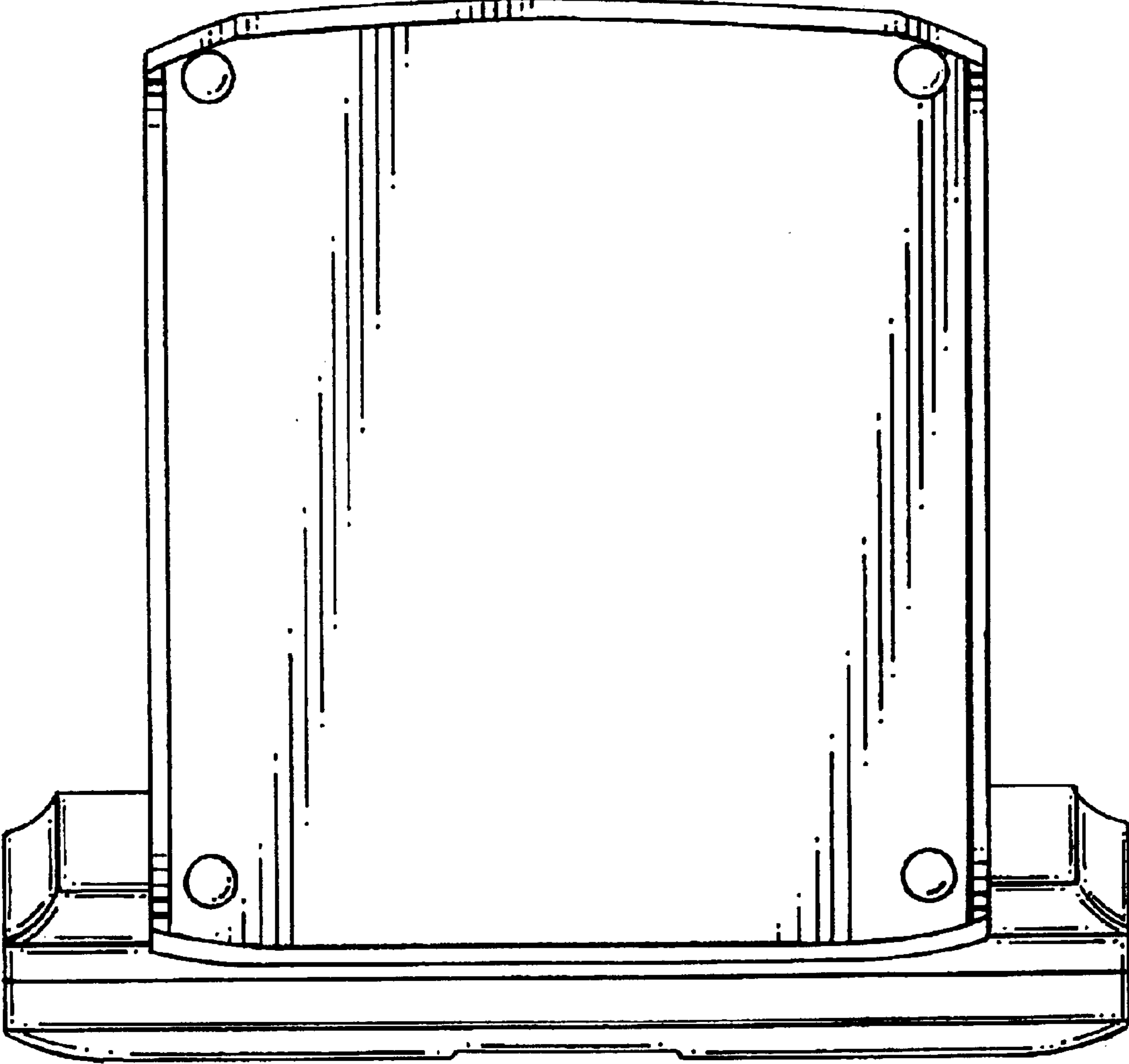


FIG. 7