

US00D494174S1

(12) **United States Design Patent**  
**Hsu Li**

(10) **Patent No.:** **US D494,174 S**

(45) **Date of Patent:** **\*\* Aug. 10, 2004**

(54) **DISPLAY DEVICE**

D464,646 S \* 10/2002 Lin ..... D14/341

(76) **Inventor:** **Hsiu-Chu Hsu Li**, P.O. Box 4-67, Hsin  
Chuang, Taipei (TW), 242

\* cited by examiner

*Primary Examiner*—Freda S. Nunn

(\*\*) **Term:** **14 Years**

(57) **CLAIM**

(21) **Appl. No.:** **29/190,346**

The ornamental design for a display device, as shown and described.

(22) **Filed:** **Sep. 18, 2003**

(51) **LOC (7) Cl.** ..... **14-02**

(52) **U.S. Cl.** ..... **D14/374**

(58) **Field of Search** ..... D14/371, 374,  
D14/375, 341, 336, 125-129; 345/104,  
156, 168, 173; 348/180, 184, 325, 739;  
248/917-924; 349/1, 2, 11, 62; 341/12

**DESCRIPTION**

FIG. 1 is a perspective view of a display device showing my new design;  
FIG. 2 is a front elevational view thereof;  
FIG. 3 is a rear elevational view thereof;  
FIG. 4 is a top plan view thereof;  
FIG. 5 is a bottom plan view thereof;  
FIG. 6 is a left side elevational view thereof; and,  
FIG. 7 is a right side elevational view thereof.

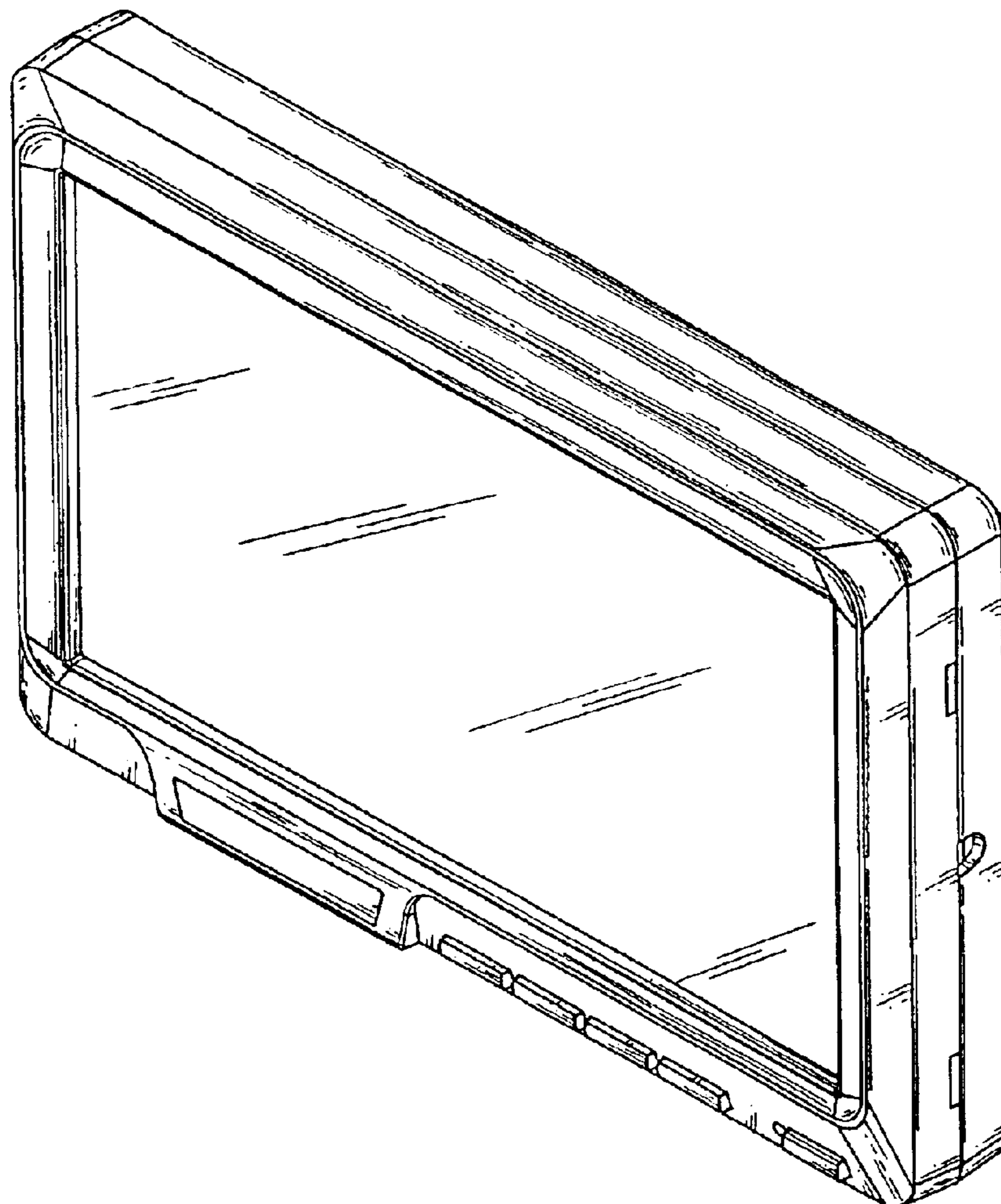
(56) **References Cited**

**U.S. PATENT DOCUMENTS**

D354,743 S \* 1/1995 Vieira ..... D14/341

D432,124 S \* 10/2000 Pardikes et al. .... D14/336

**1 Claim, 4 Drawing Sheets**



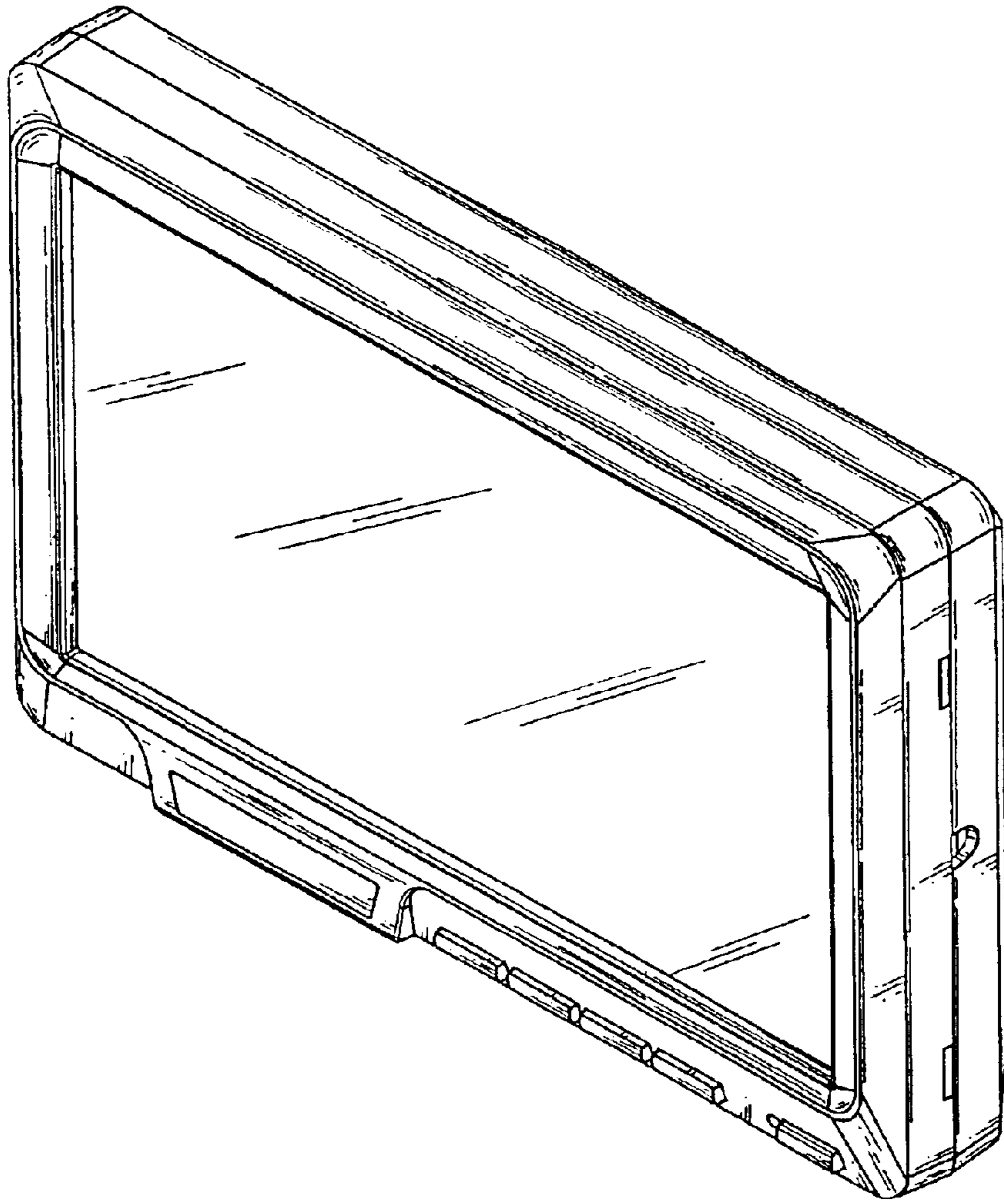


FIG. 1

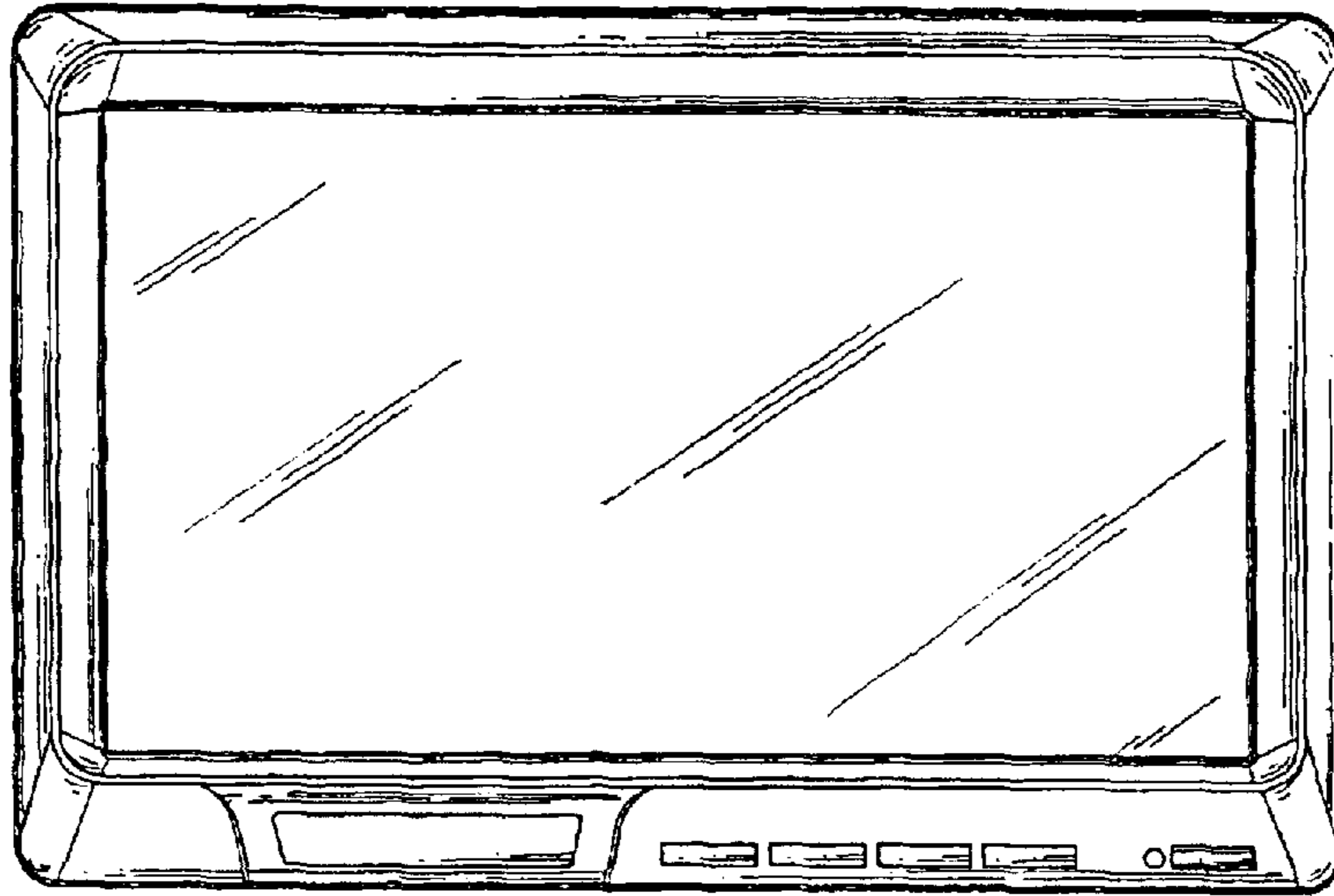


FIG. 2

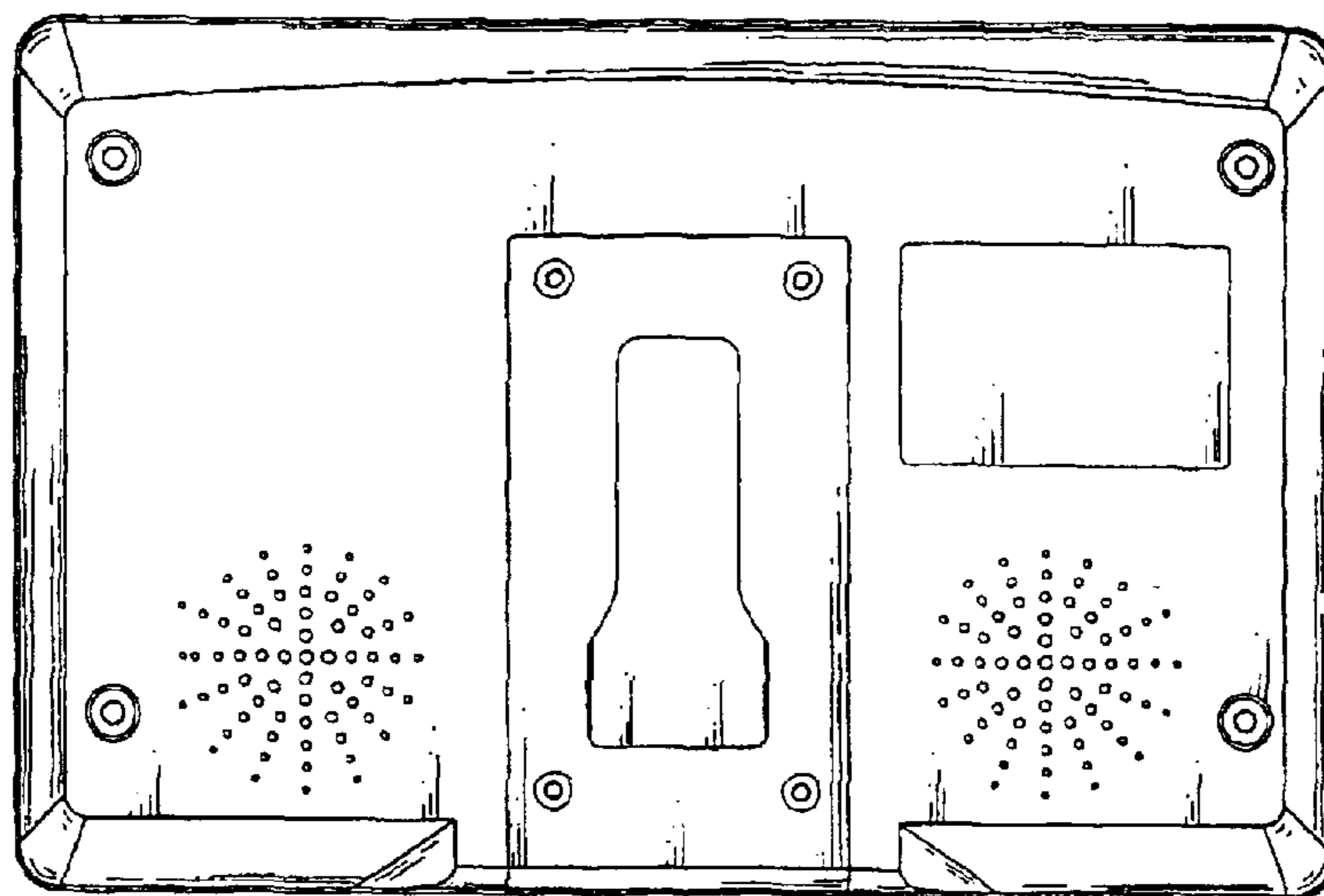


FIG. 3

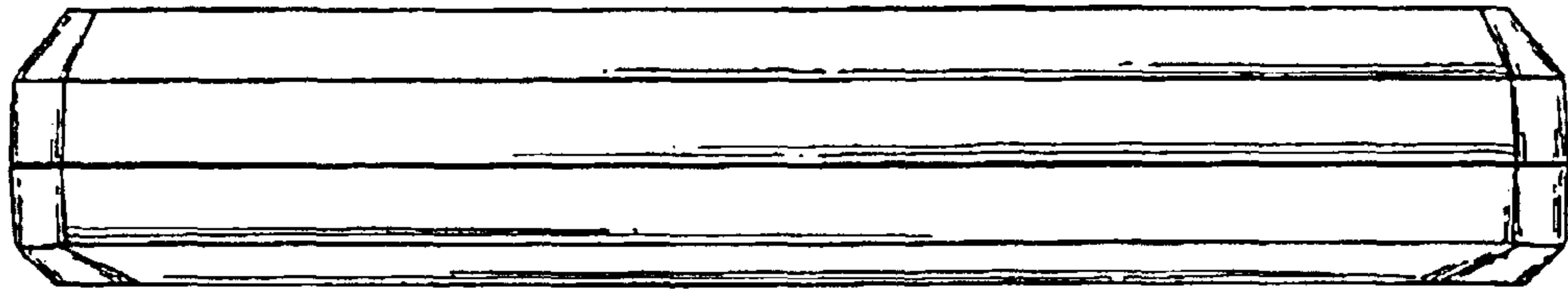


FIG. 4

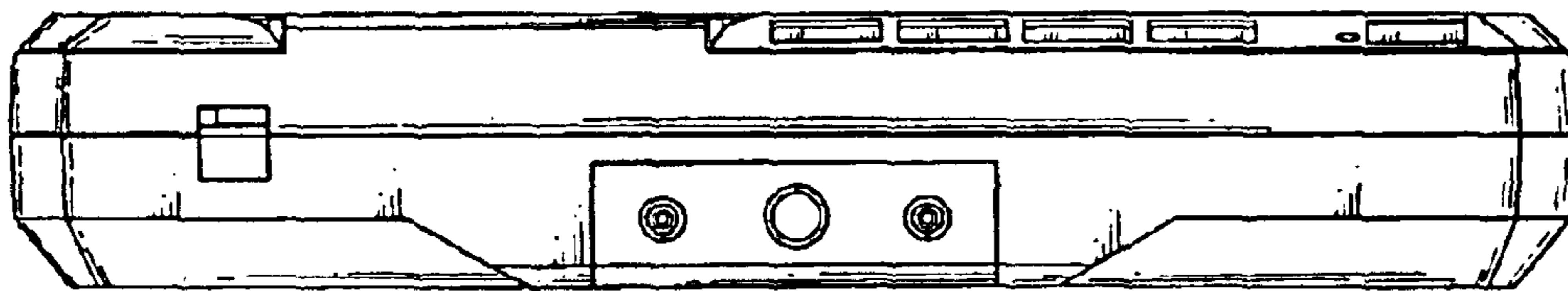


FIG. 5

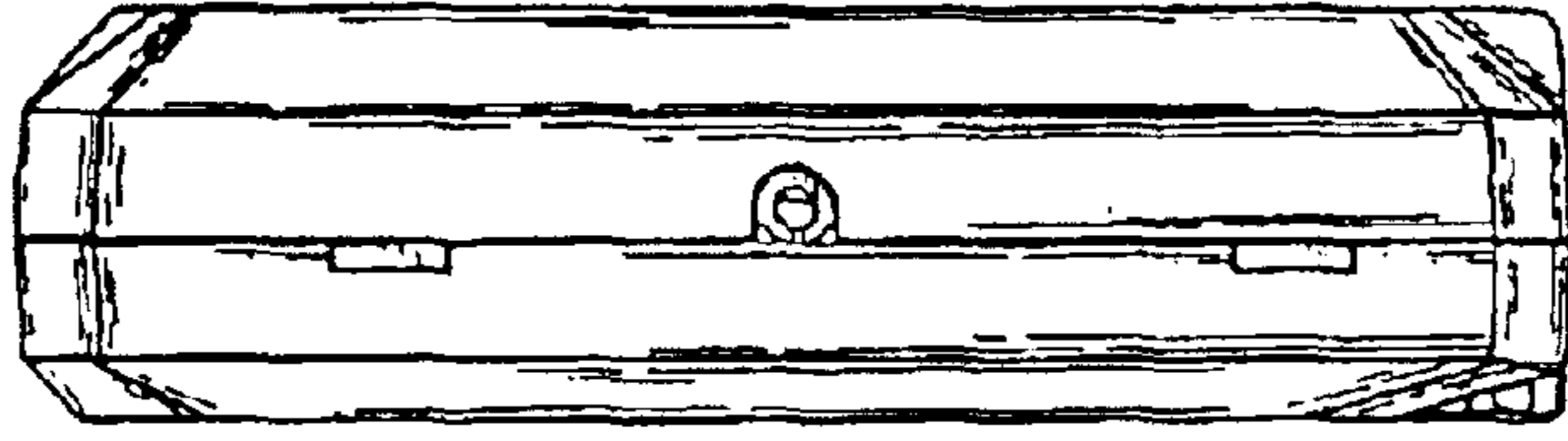


FIG. 7

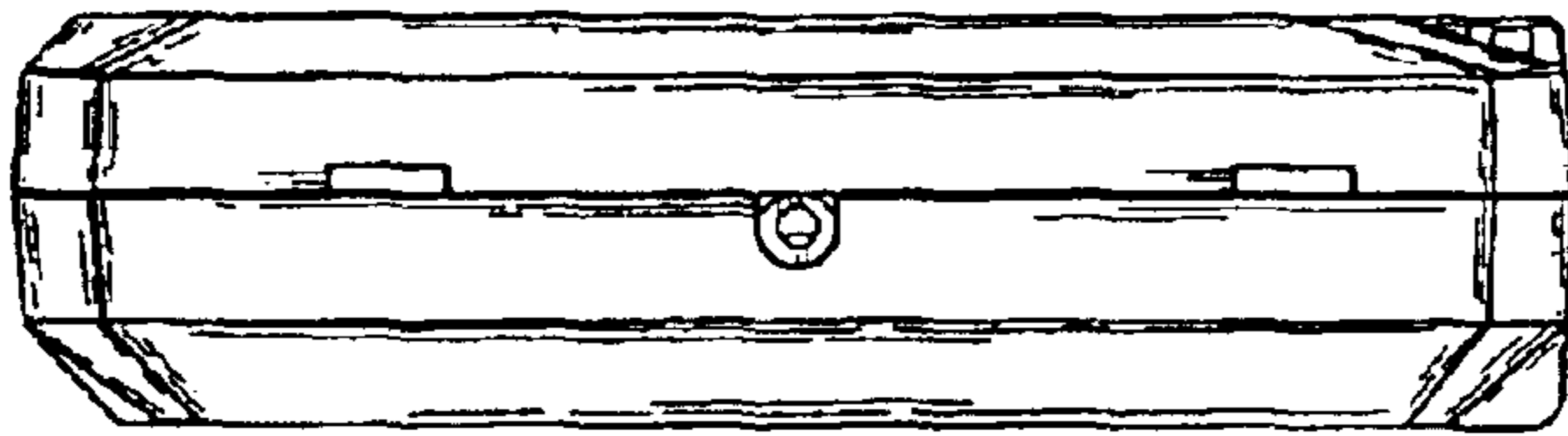


FIG. 6