

US00D494173S1

(12) **United States Design Patent**
Lin et al.

(10) **Patent No.:** **US D494,173 S**
(45) **Date of Patent:** **** Aug. 10, 2004**

(54) **MONITOR**

(75) Inventors: **Chia-Chuan Lin**, Taipei (TW);
Yung-Chuan Ma, Taipei (TW);
Chien-Jui Wang, Taipei (TW)

(73) Assignee: **BENQ Corporation**, Taoyuan (TW)

(**) Term: **14 Years**

(21) Appl. No.: **29/187,706**

(22) Filed: **Aug. 6, 2003**

(30) **Foreign Application Priority Data**

Jun. 10, 2003 (TW) 92303560

(51) **LOC (7) Cl.** **14-02**

(52) **U.S. Cl.** **D14/374**

(58) **Field of Search** D14/371-376,
D14/125-129; 345/156, 168, 173, 87, 901-905;
348/180, 184, 325, 739; 248/917-924;
341/12; 349/1, 2, 11, 62

(56) **References Cited**

U.S. PATENT DOCUMENTS

D382,259 S * 8/1997 Nagai et al. D14/374

D396,222 S * 7/1998 Morgan et al. D14/374
D424,068 S * 5/2000 Takemasa D14/374
D424,538 S * 5/2000 Hayashi et al. D14/374
D469,090 S * 1/2003 Tsuji D14/374

* cited by examiner

Primary Examiner—Freda S. Nunn

(74) *Attorney, Agent, or Firm*—Quintero Law Office

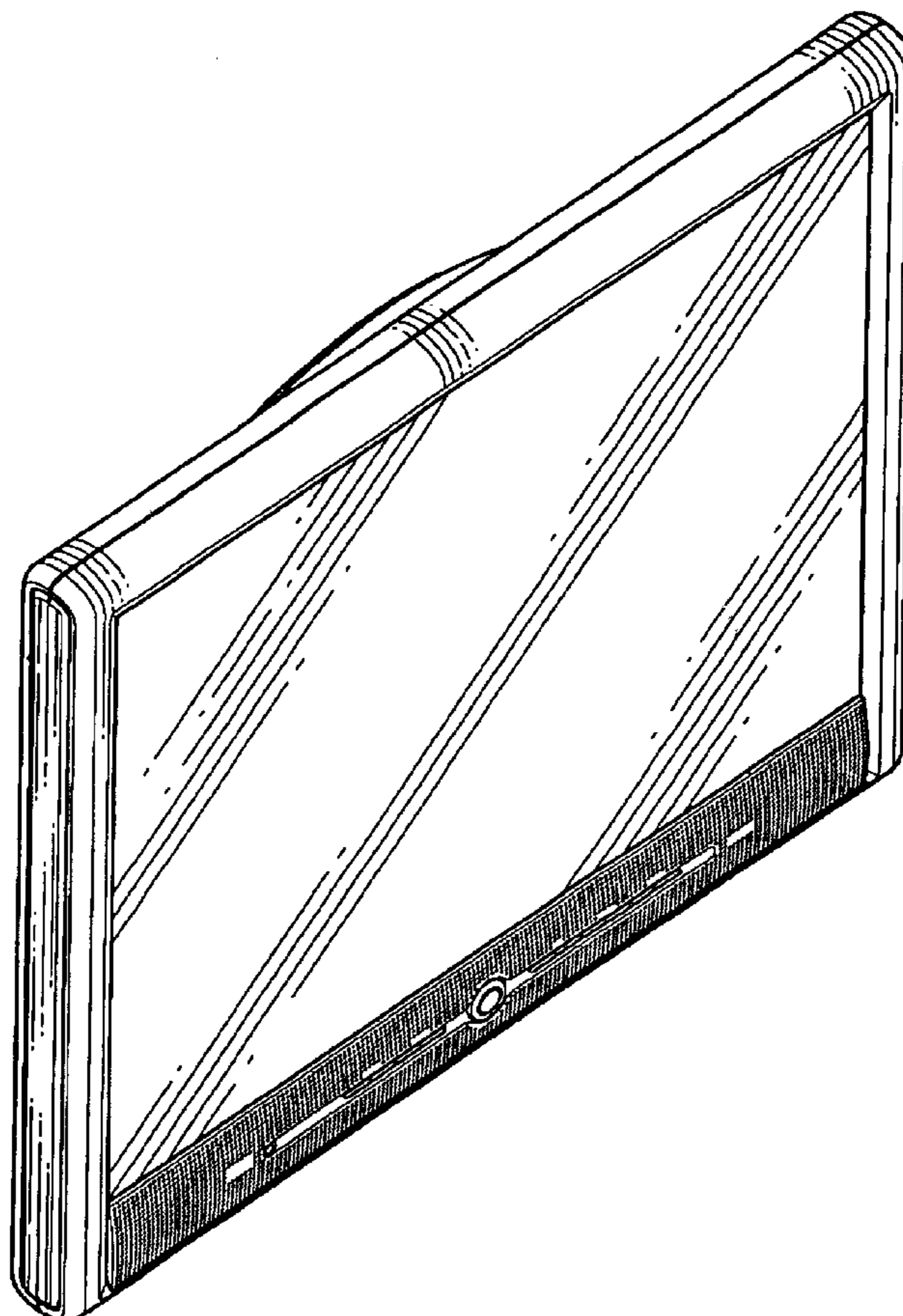
(57) **CLAIM**

The ornamental design for a monitor, as shown and described.

DESCRIPTION

FIG. 1 is a perspective view thereof;
FIG. 2 is a front elevational view thereof;
FIG. 3 is a rear elevational view thereof;
FIG. 4 is a left side elevational view thereof;
FIG. 5 is a right side elevational view thereof;
FIG. 6 is a top plane view thereof;
FIG. 7 is a bottom plane view thereof;
FIG. 8 is also a perspective view thereof; and,
FIG. 9 is also a perspective view thereof.
The broken lines are shown in the figures for illustrative purposes only and form no part of the claimed design.

1 Claim, 9 Drawing Sheets



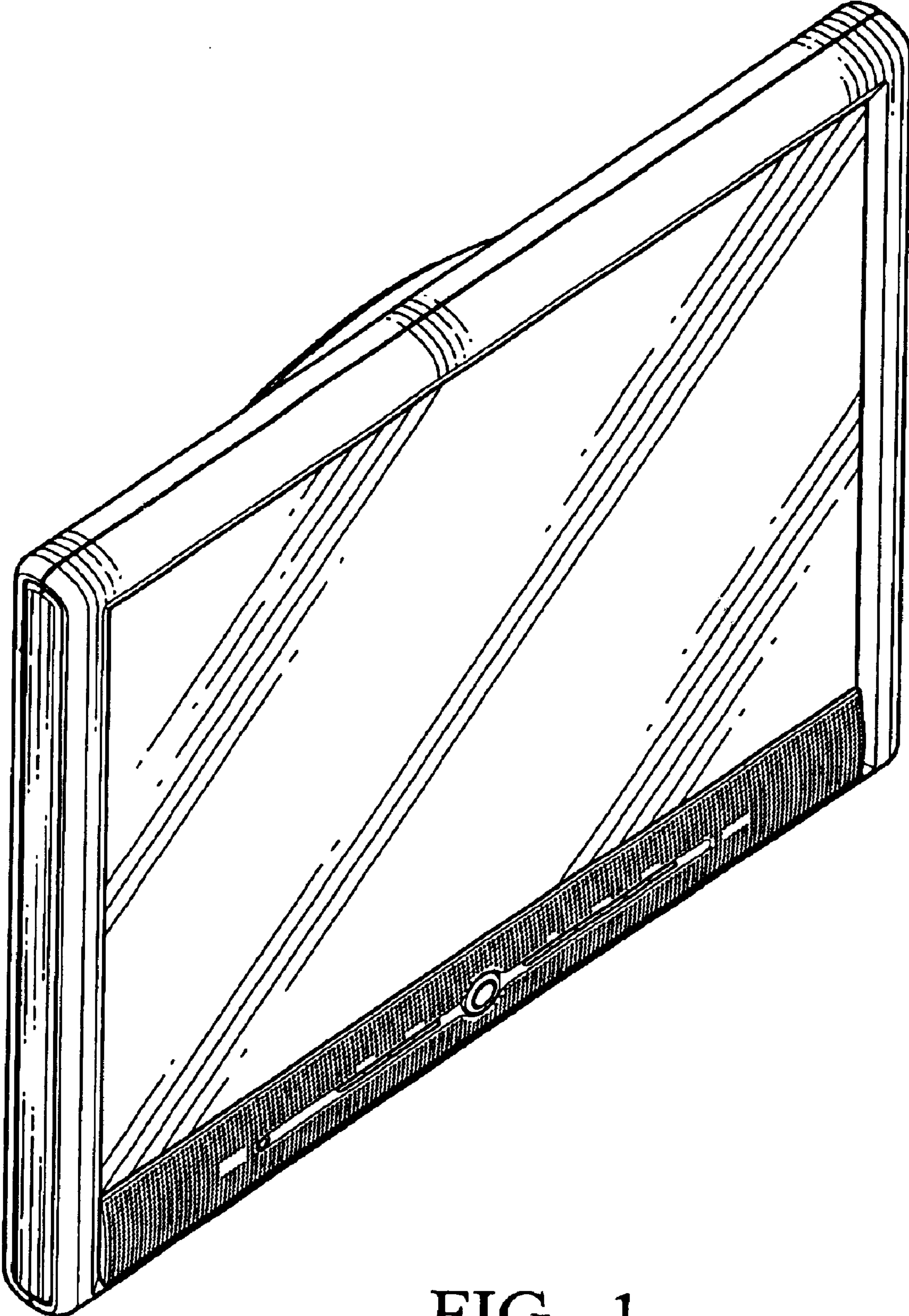


FIG. 1

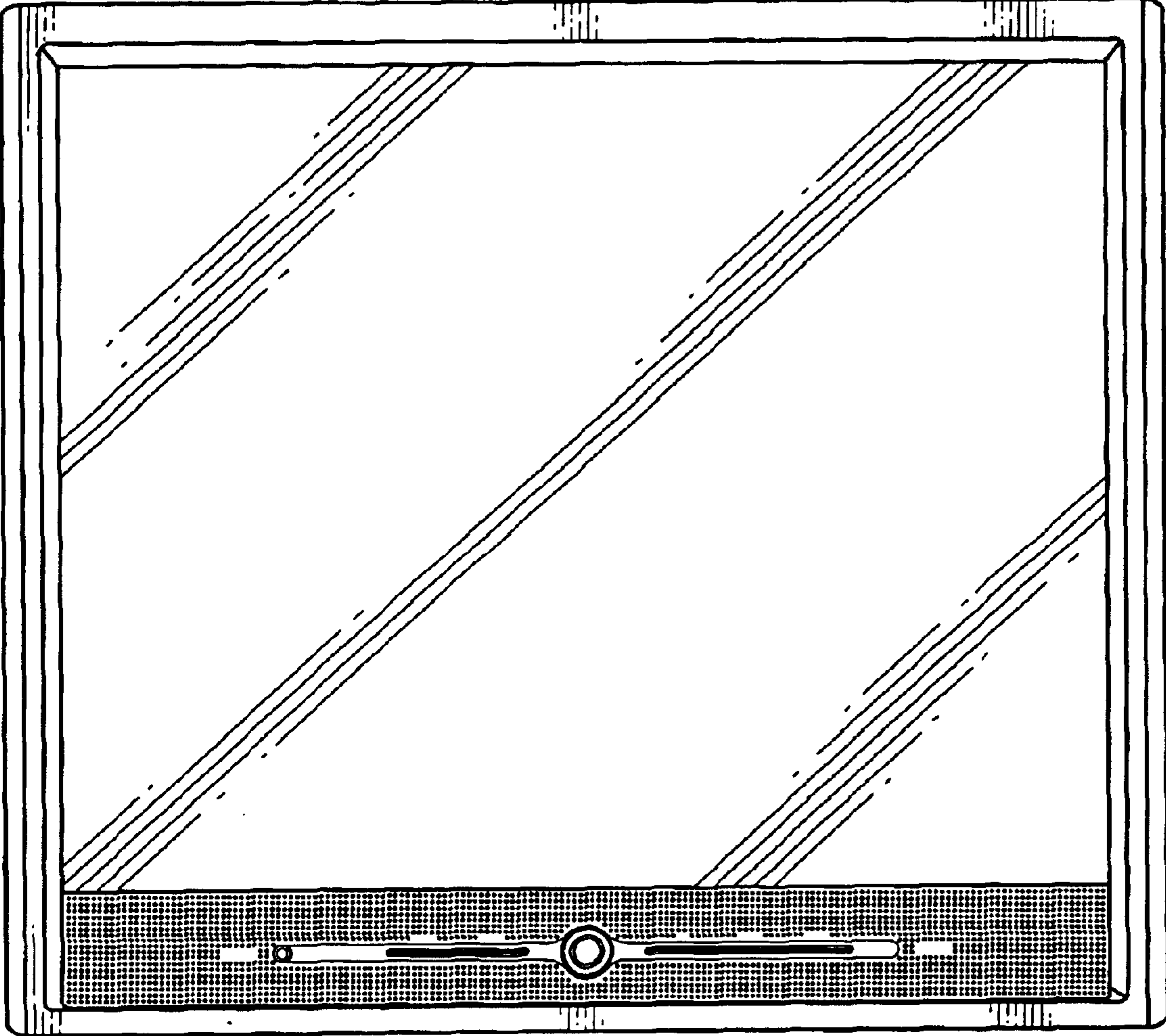


FIG. 2

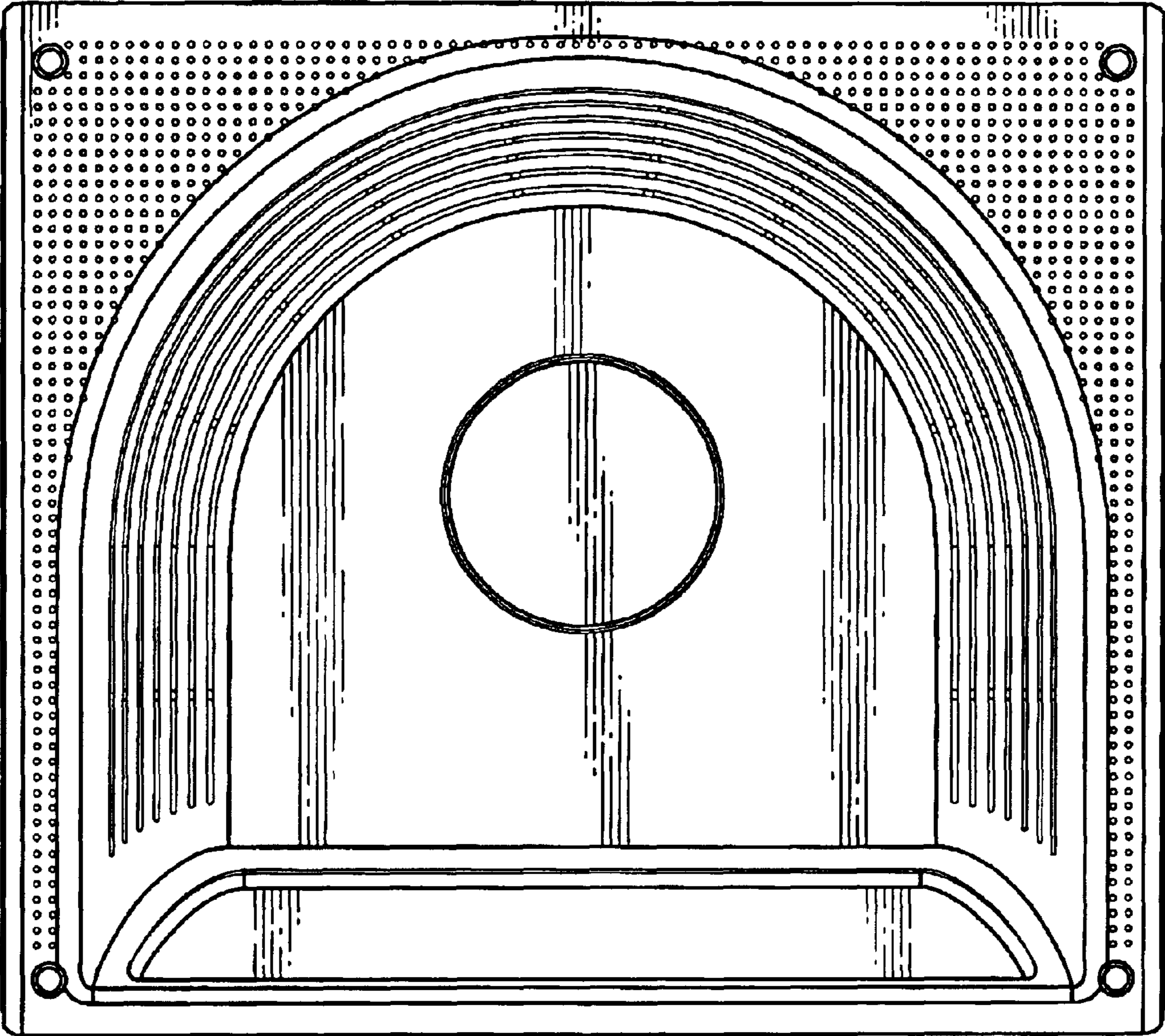


FIG. 3



FIG. 4



FIG. 5

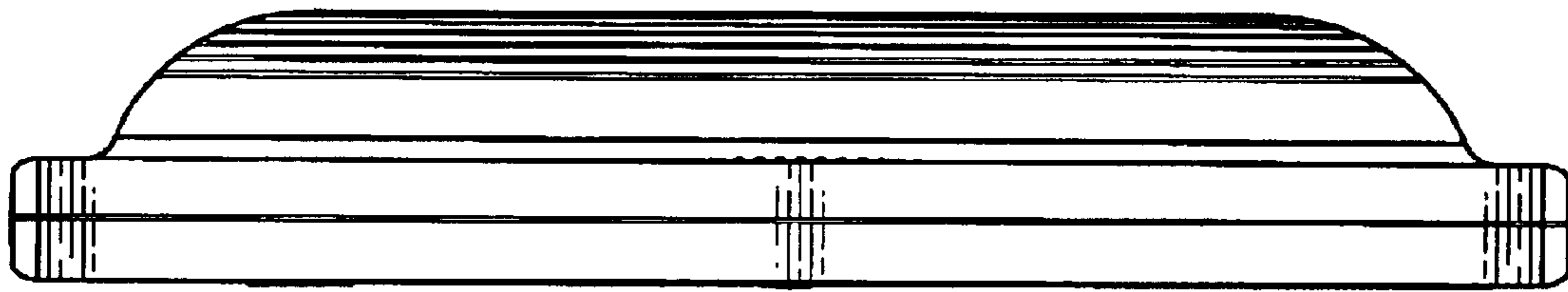


FIG. 6

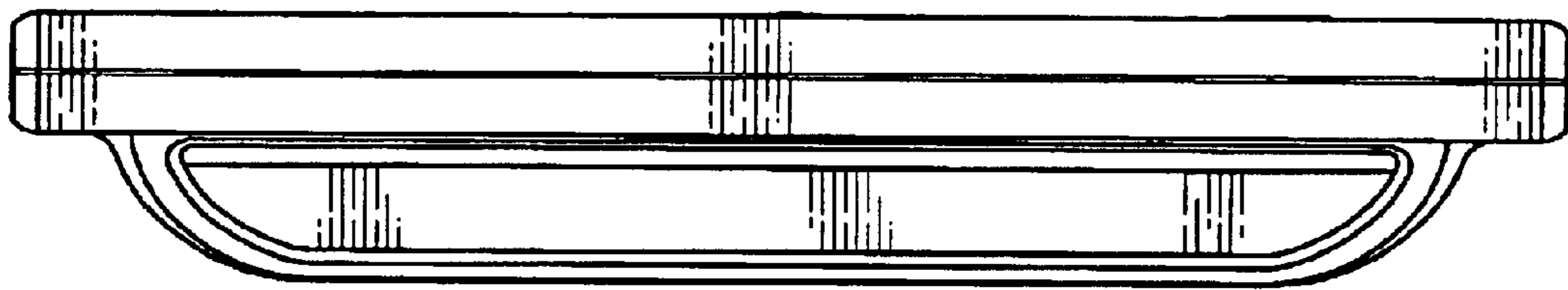


FIG. 7

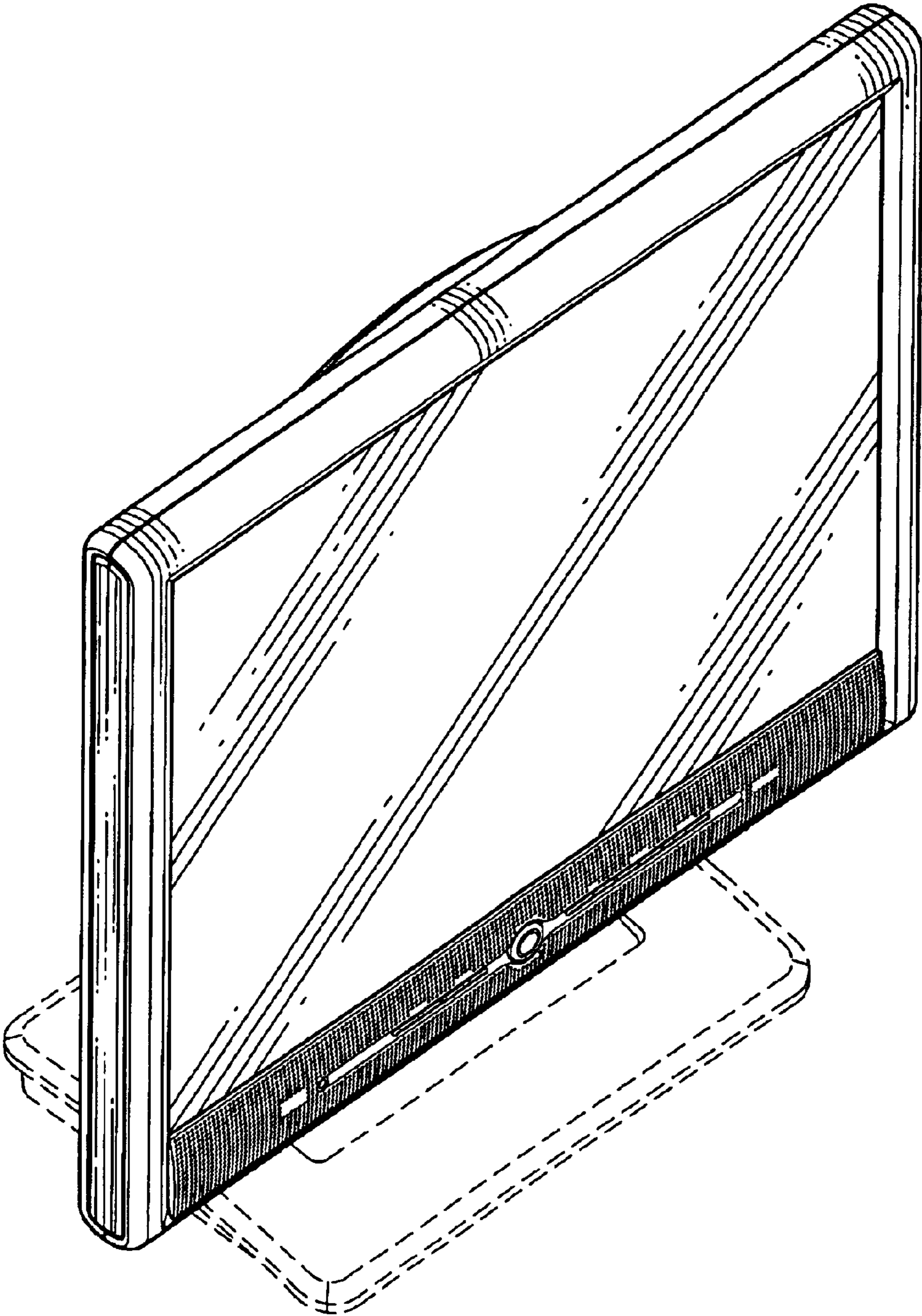


FIG. 8

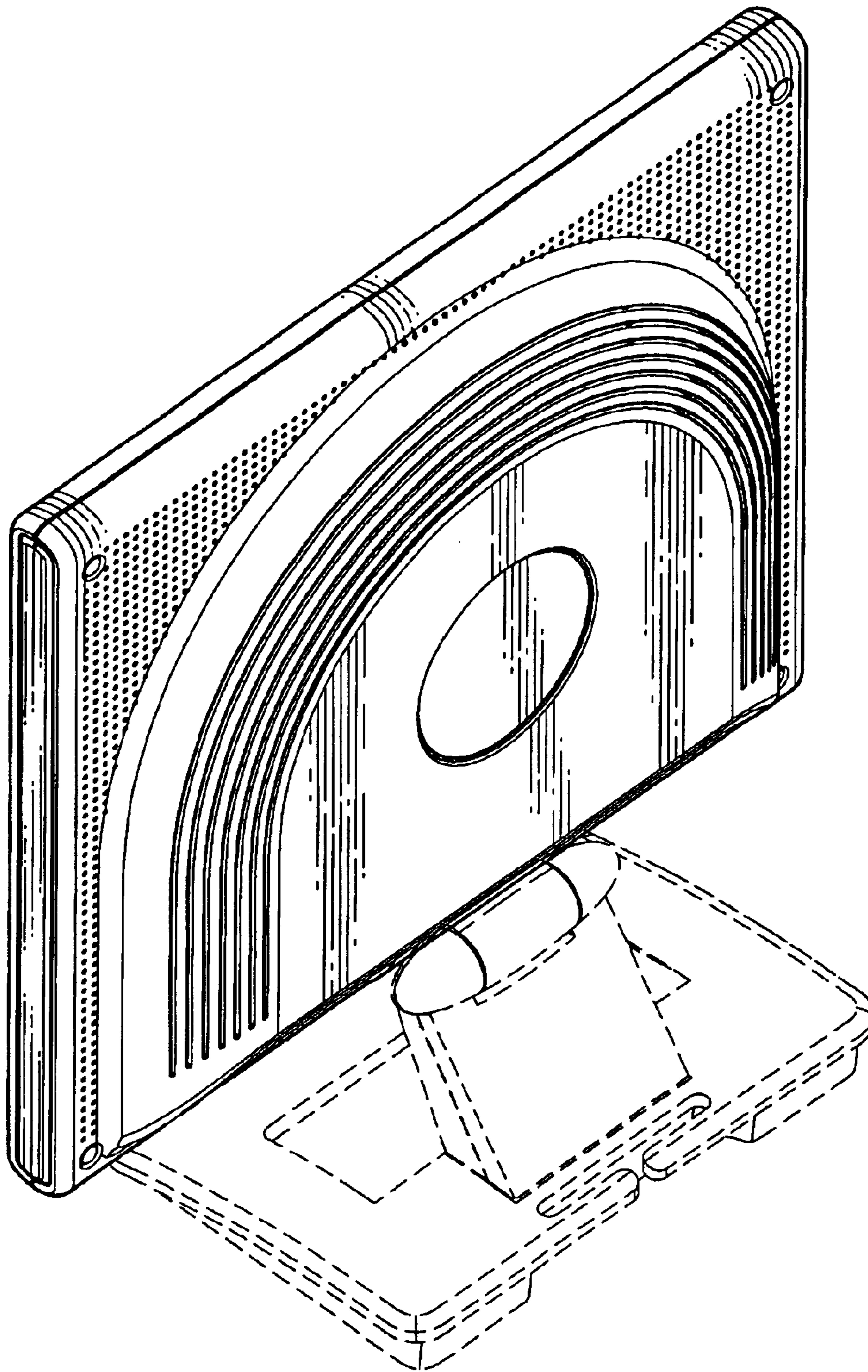


FIG. 9