

US00D494172S1

(12) **United States Design Patent**
Asai

(10) **Patent No.:** **US D494,172 S**
(45) **Date of Patent:** **** Aug. 10, 2004**

(54) **EXTERNAL DISK RECORDER**

FOREIGN PATENT DOCUMENTS

(75) Inventor: **Yoshihiko Asai**, Tokyo (JP)

JP D1094817 12/2000

(73) Assignee: **Matsushita Electric Industrial Co., Ltd.**, Osaka (JP)

* cited by examiner

(**) Term: **14 Years**

Primary Examiner—Joel Sincavage

(74) *Attorney, Agent, or Firm*—Brinks Hofer Gilson & Lione

(21) Appl. No.: **29/196,222**

(57) **CLAIM**

(22) Filed: **Dec. 22, 2003**

The ornamental design for an external disk recorder, as shown and described.

(30) **Foreign Application Priority Data**

Sep. 3, 2003 (JP) 2003-025672

DESCRIPTION

(51) **LOC (7) Cl.** **14-02**

FIG. 1 is a top perspective view of an external disk recorder of the present invention;

(52) **U.S. Cl.** **D14/368**; D14/136

FIG. 2 is a front view thereof;

(58) **Field of Search** D14/136, 156, D14/348, 363, 365, 367, 368; 361/685

FIG. 3 is a first side view thereof;

FIG. 4 is a second side view thereof;

FIG. 5 is a top view thereof;

FIG. 6 is a rear view thereof; and,

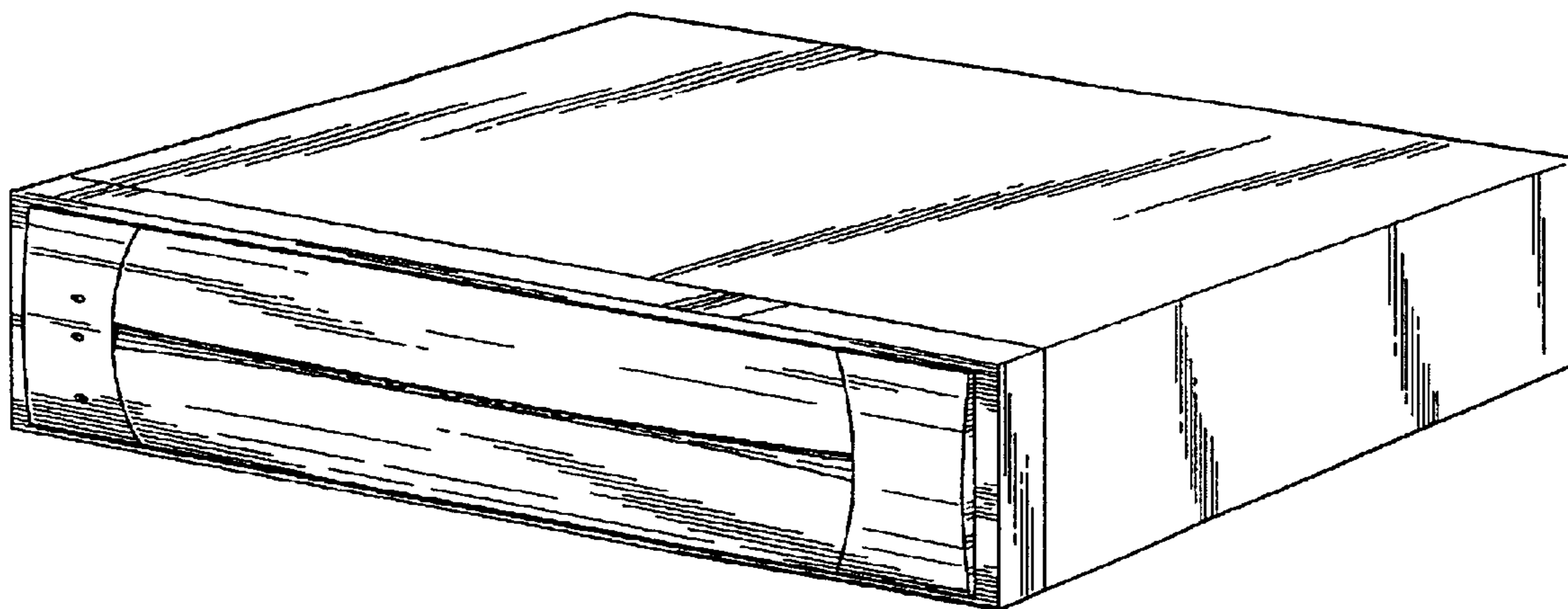
FIG. 7 is a bottom view thereof.

(56) **References Cited**

U.S. PATENT DOCUMENTS

D360,197 S * 7/1995 Ikenaga D14/368
6,567,360 B1 * 5/2003 Kagawa 369/75.1

1 Claim, 3 Drawing Sheets



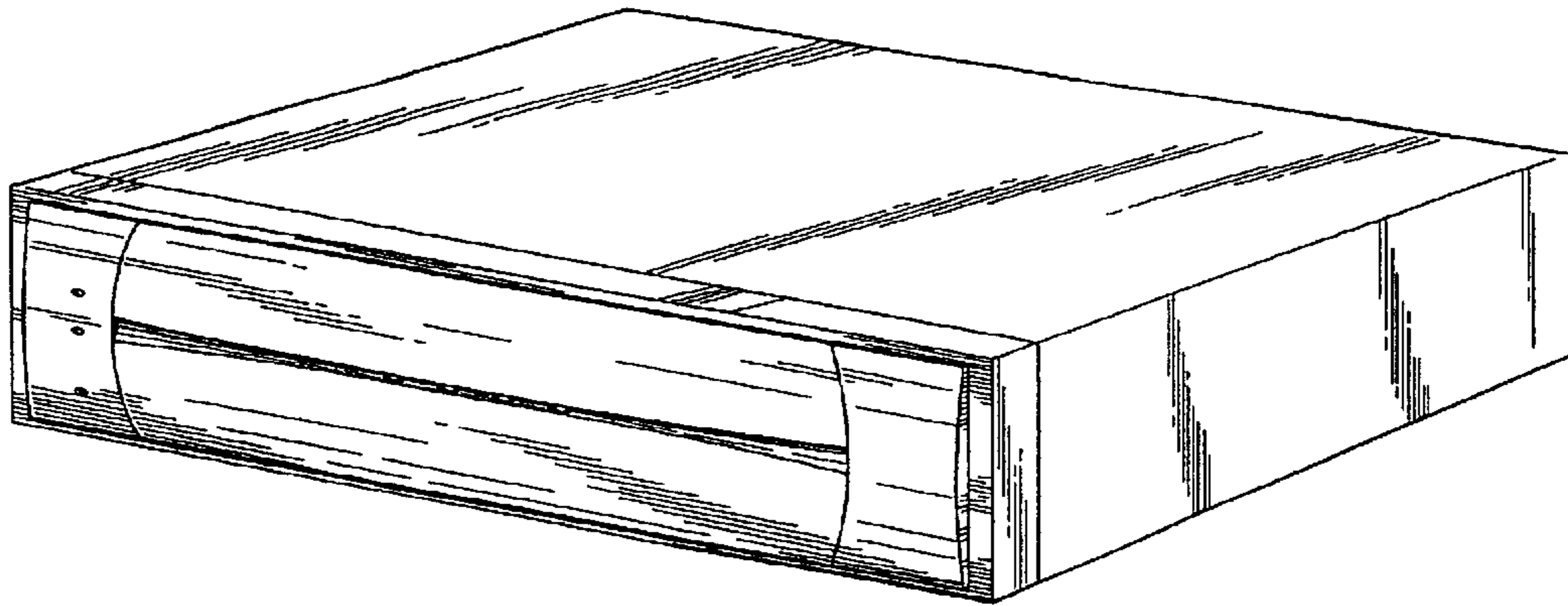


FIG. 1

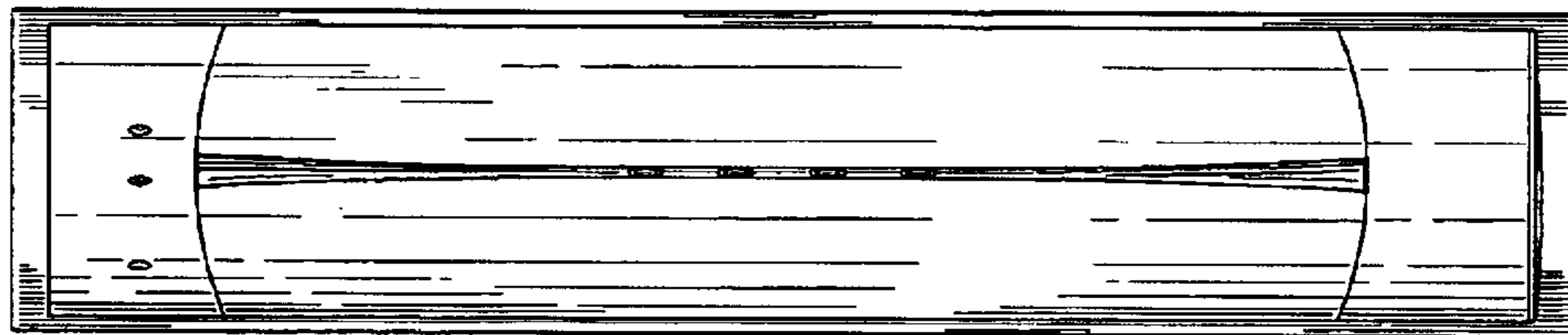


FIG. 2

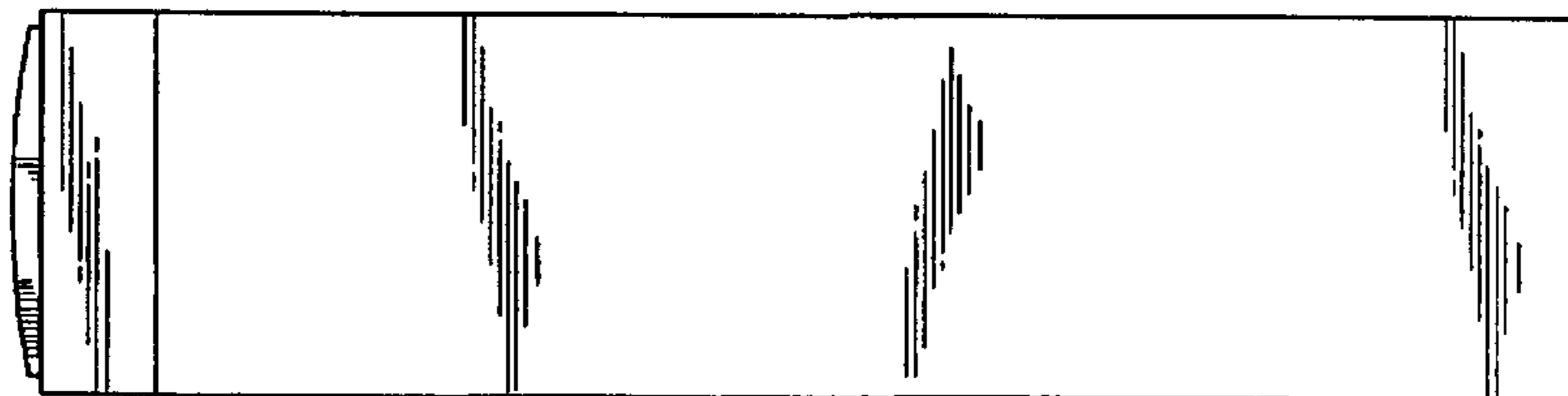


FIG. 3

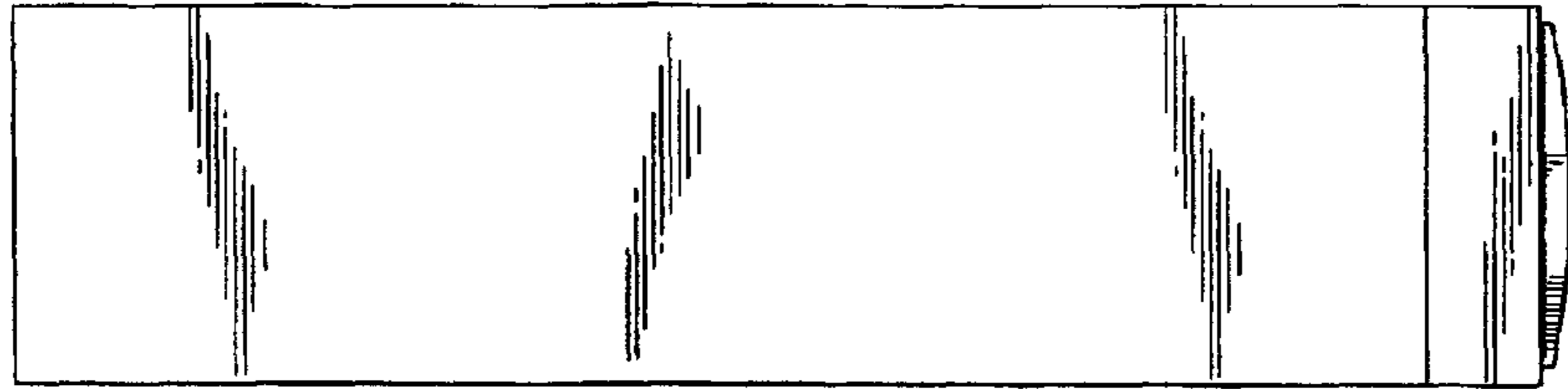


FIG. 4

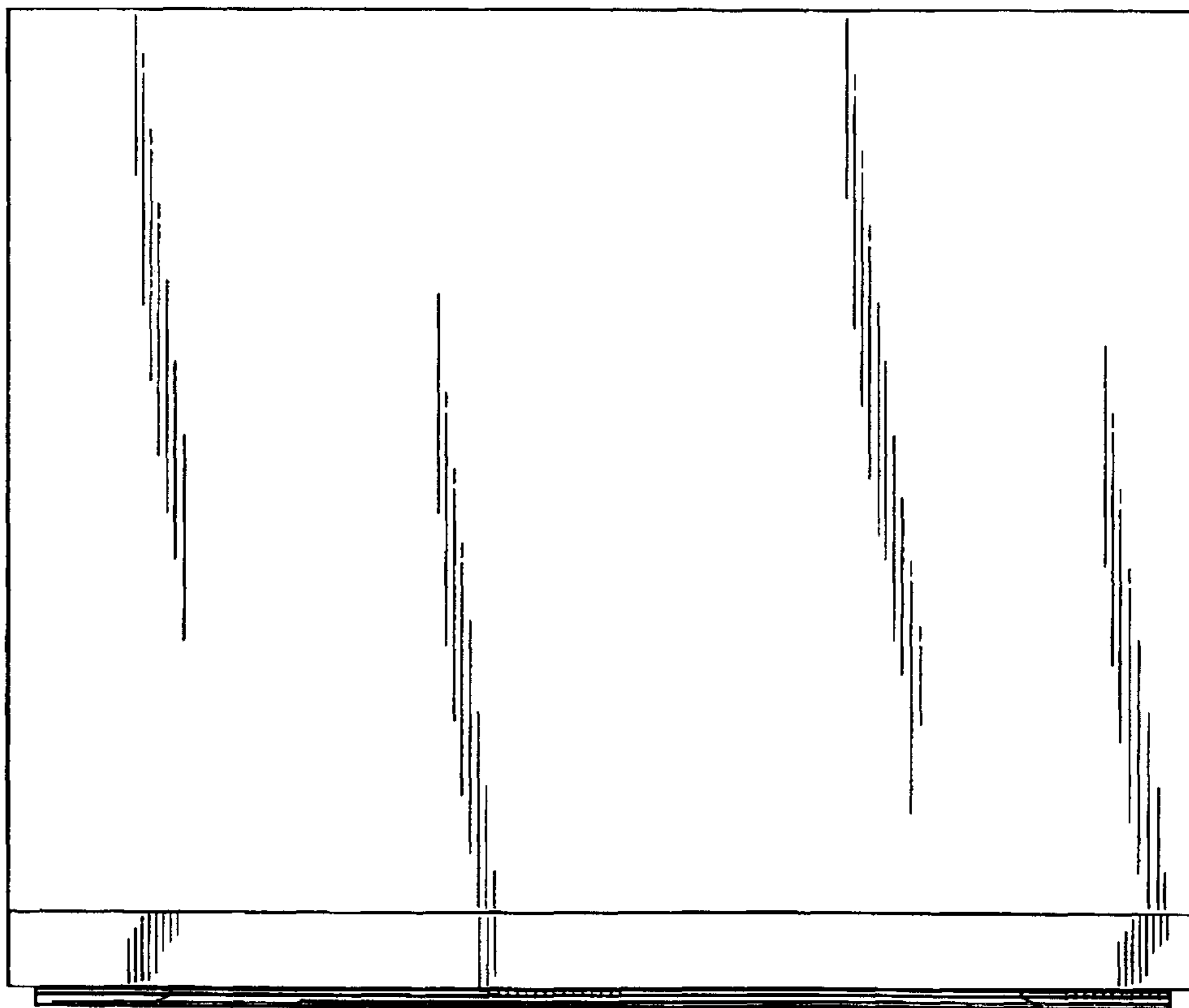


FIG. 5

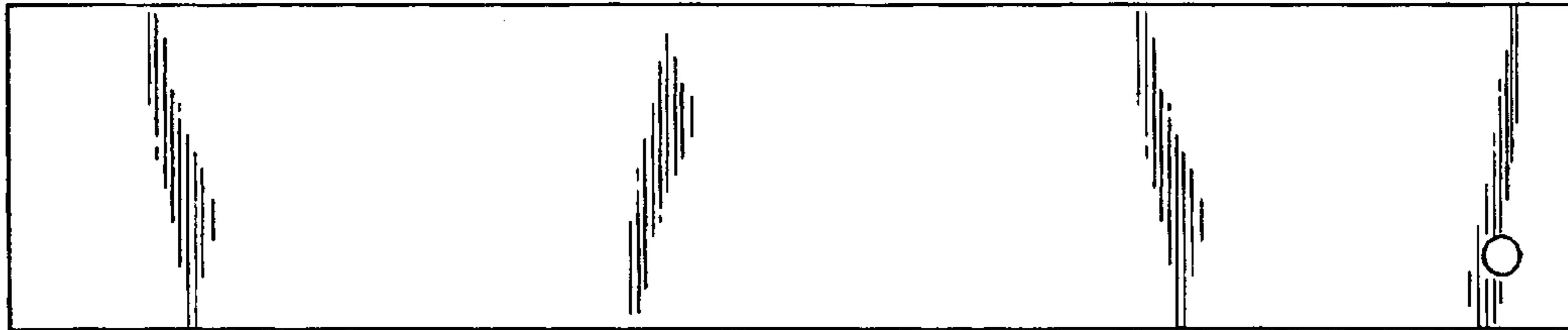


FIG. 6

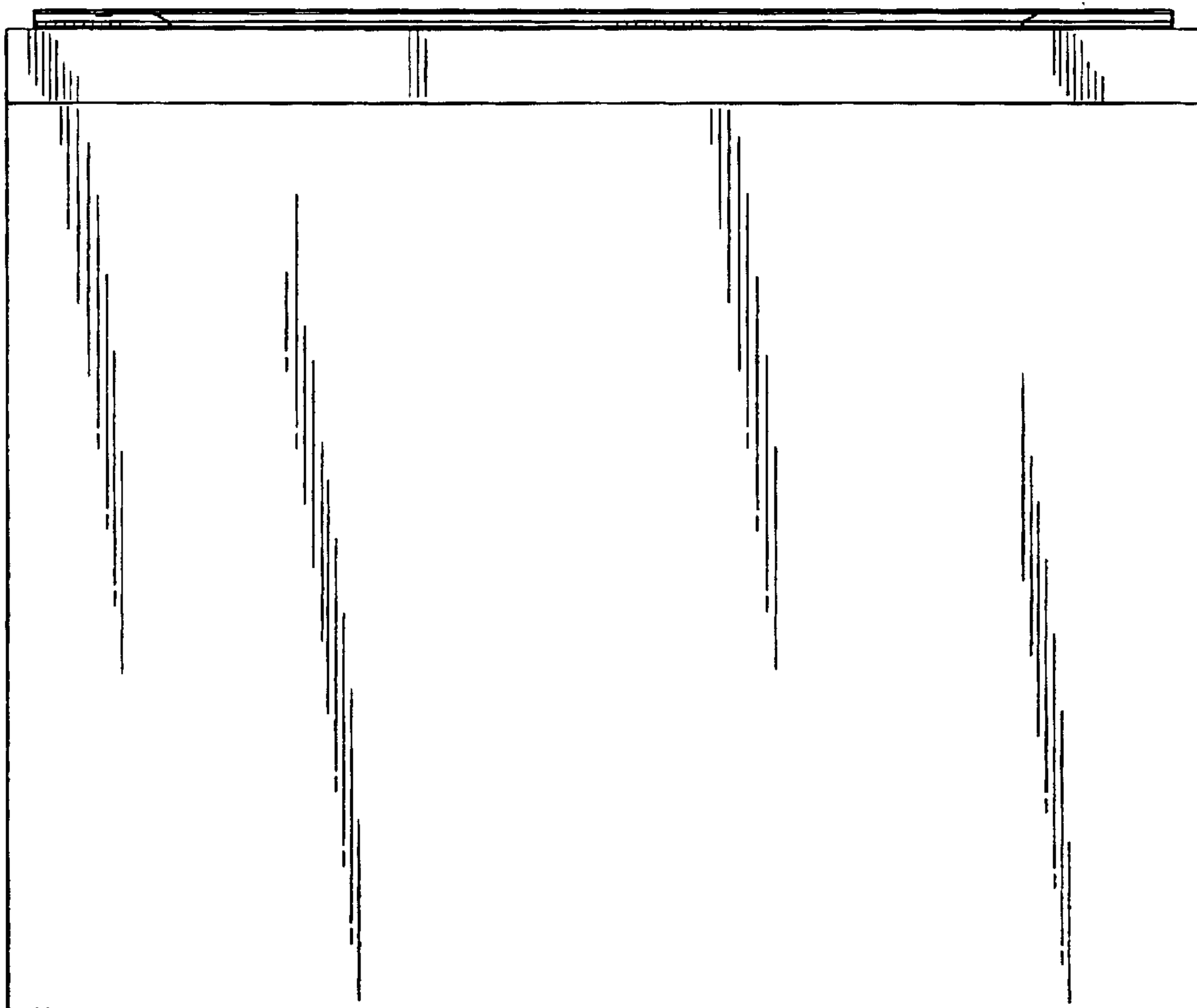


FIG. 7