

US00D494171S1

(12) **United States Design Patent**  
**Kanatani et al.**

(10) **Patent No.: US D494,171 S**

(45) **Date of Patent: \*\* Aug. 10, 2004**

(54) **ARITHMETIC AND CONTROL UNIT**

(75) Inventors: **Masakazu Kanatani, Tokyo (JP);**  
**Hiroshi Yasutomi, Tokyo (JP)**

(73) Assignee: **Sony Computer Entertainment Inc.,**  
**Tokyo (JP)**

(\*\*) Term: **14 Years**

(21) Appl. No.: **29/194,458**

(22) Filed: **Nov. 26, 2003**

(30) **Foreign Application Priority Data**

May 27, 2003 (JP) ..... 2003-18787

(51) **LOC (7) Cl. .... 14-02**

(52) **U.S. Cl. .... D14/356**

(58) **Field of Search .... D14/125, 356,**  
**D14/368, 496; D13/184**

(56) **References Cited**

**U.S. PATENT DOCUMENTS**

D314,188 S	*	1/1991	Izaki	.....	D14/355
D322,428 S	*	12/1991	Sato et al.	.....	D14/355
D331,570 S	*	12/1992	Koiwa	.....	D14/354
D344,267 S	*	2/1994	Ueda et al.	.....	D14/355
D387,740 S	*	12/1997	Kondo	.....	D14/368

D407,393 S	*	3/1999	Kazama	.....	D14/125
D412,495 S	*	8/1999	Shibata	.....	D14/356
D436,105 S	*	1/2001	Goto	.....	D14/356
D441,375 S	*	5/2001	Hisatsune et al.	.....	D14/496
D445,789 S	*	7/2001	Zmehrir	.....	D14/356
D470,465 S	*	2/2003	Lee	.....	D14/125
D482,369 S	*	11/2003	Matuschek	.....	D14/496

\* cited by examiner

*Primary Examiner*—Joel Sincavage

(74) *Attorney, Agent, or Firm*—Rader, Fishman & Grauer  
PLLC

(57) **CLAIM**

The ornamental design for an arithmetic and control unit, as shown.

**DESCRIPTION**

FIG. 1 is a front elevational view of an arithmetic and control unit showing our new design; FIG. 2 is a rear elevational view thereof; FIG. 3 is a left side elevational view thereof; FIG. 4 is a right side elevational view thereof; FIG. 5 is a top plan view thereof; FIG. 6 is a bottom plan view thereof; FIG. 7 is a front right top perspective view thereof; and, FIG. 8 is a rear left top perspective view thereof.

**1 Claim, 4 Drawing Sheets**

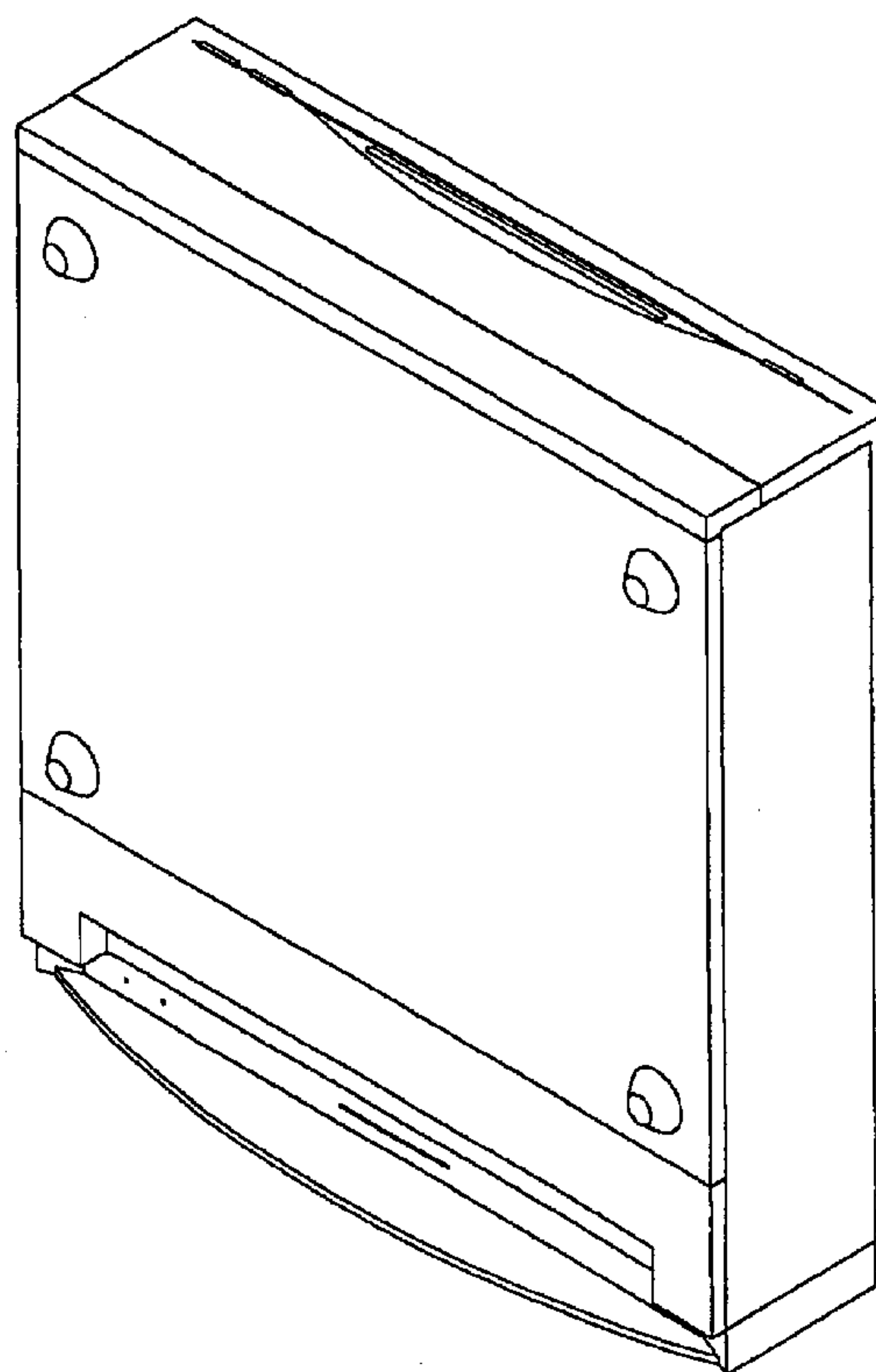
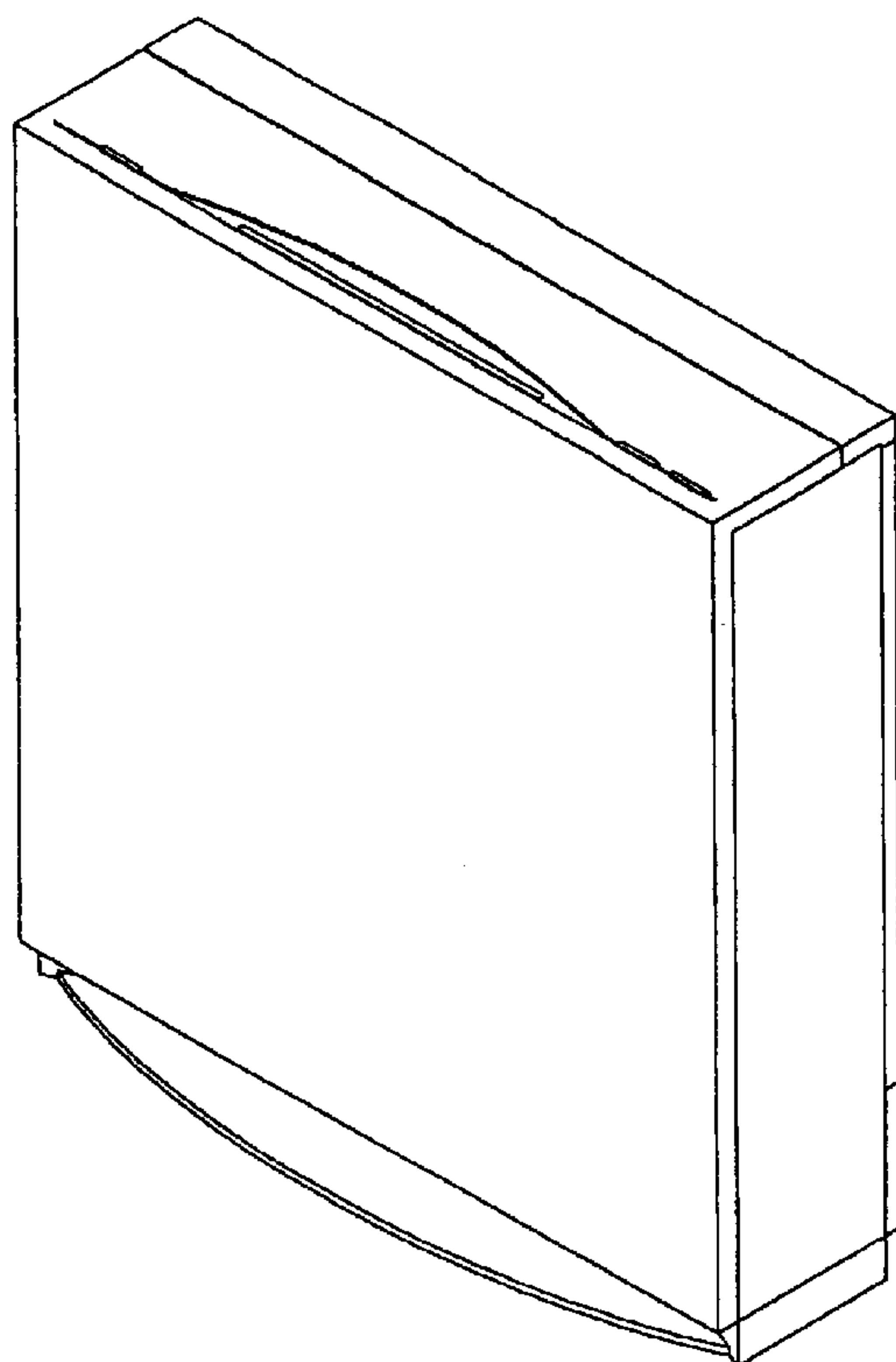


FIG. 1

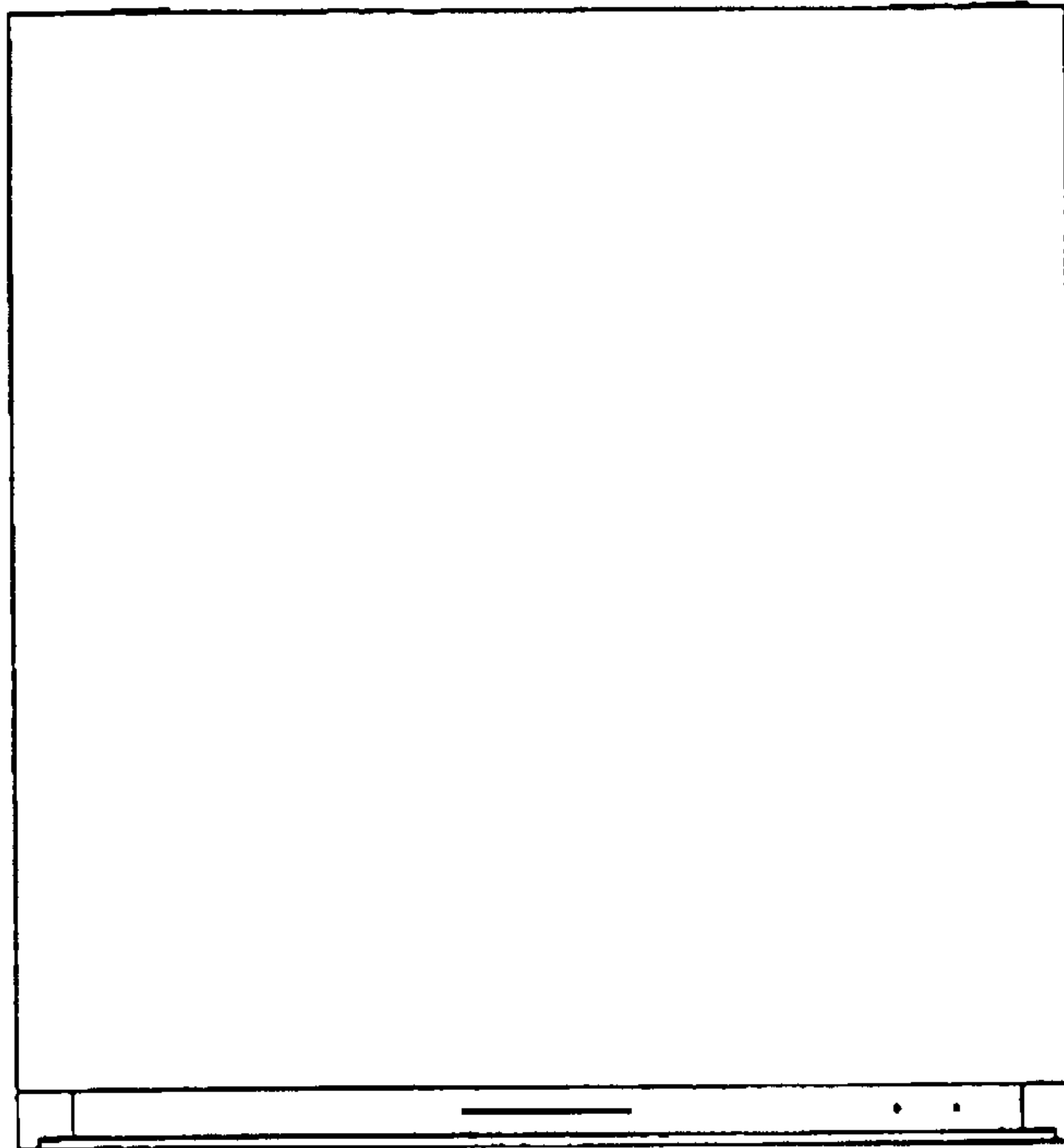


FIG. 2

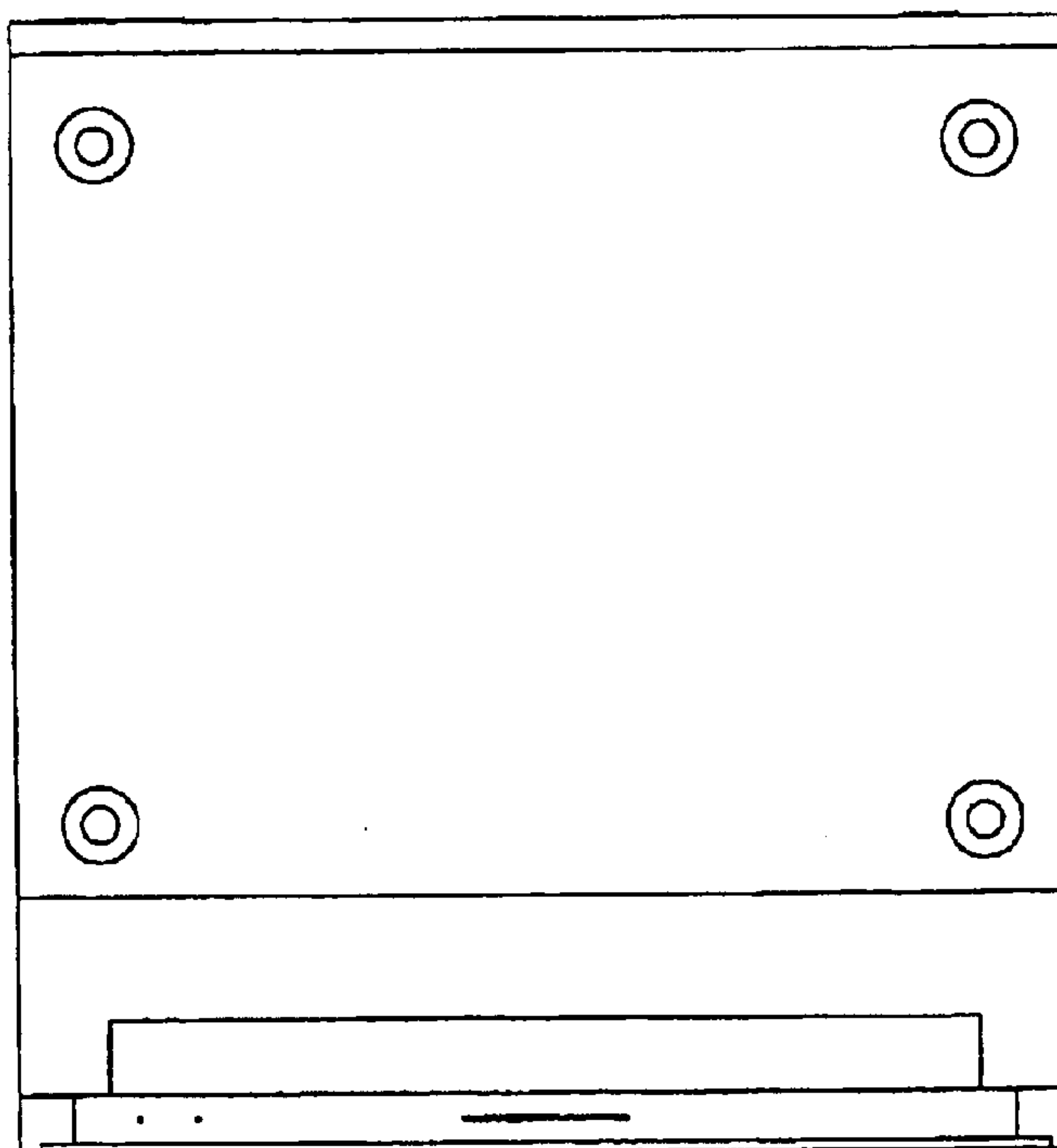


FIG. 3

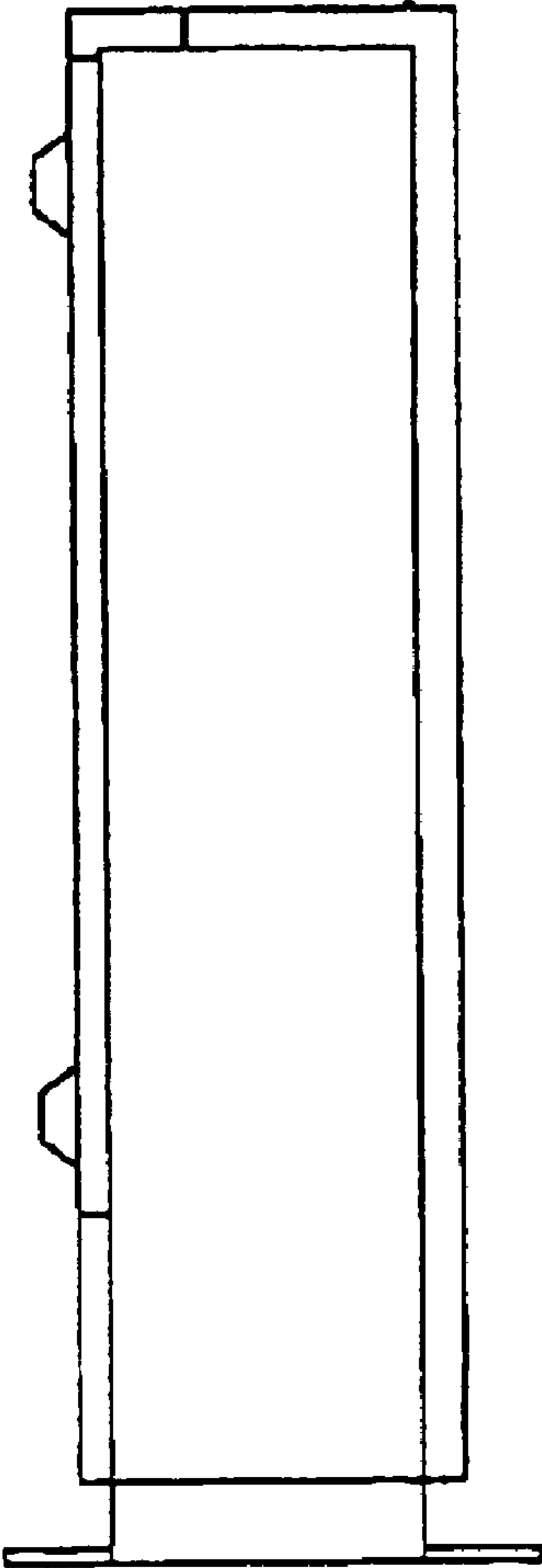


FIG. 4

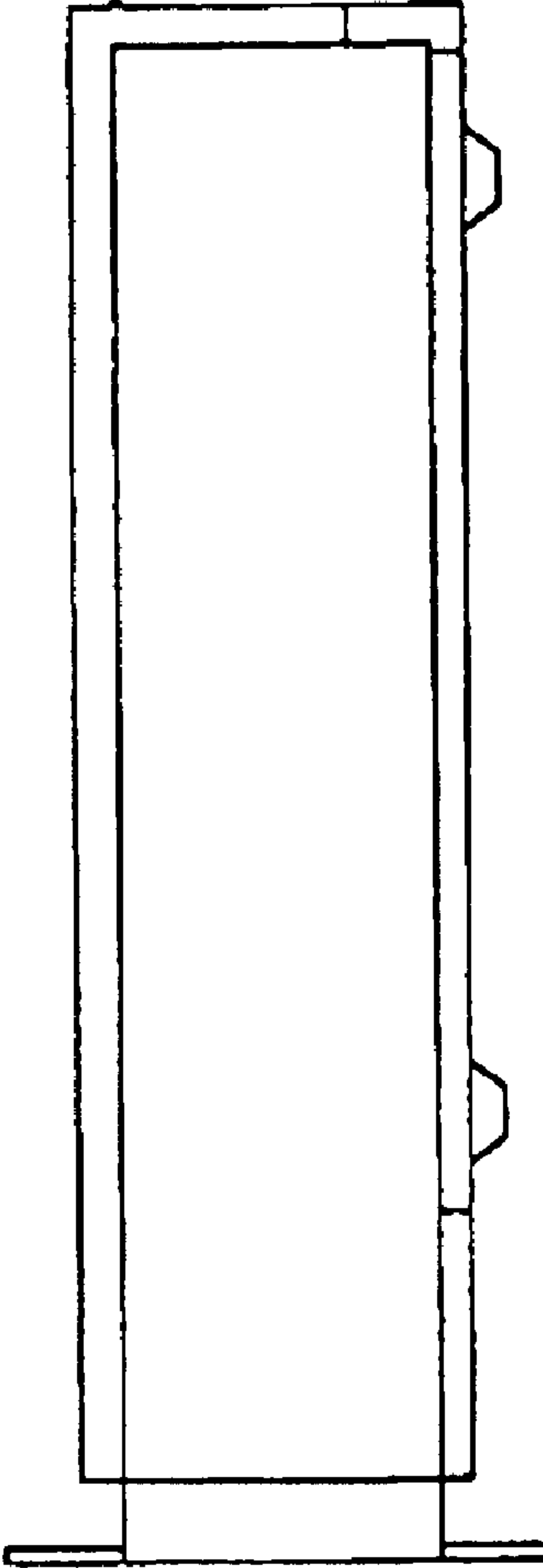


FIG. 5

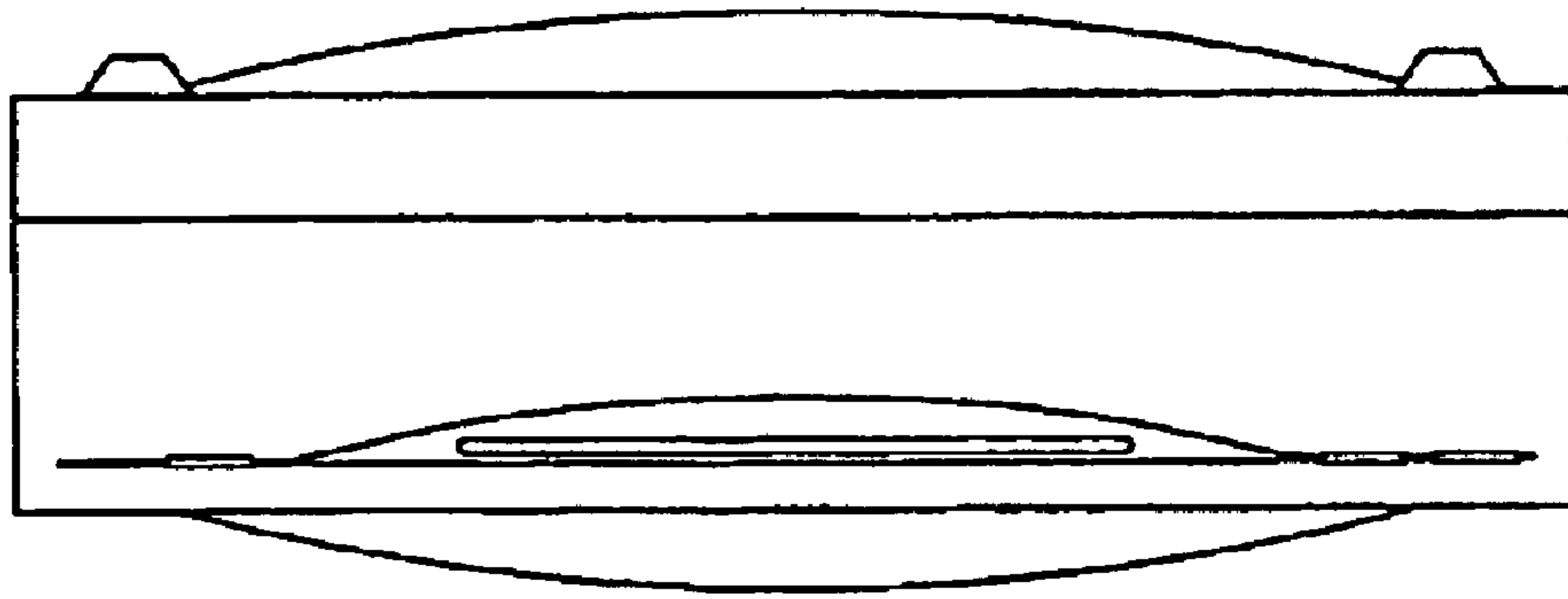


FIG. 6

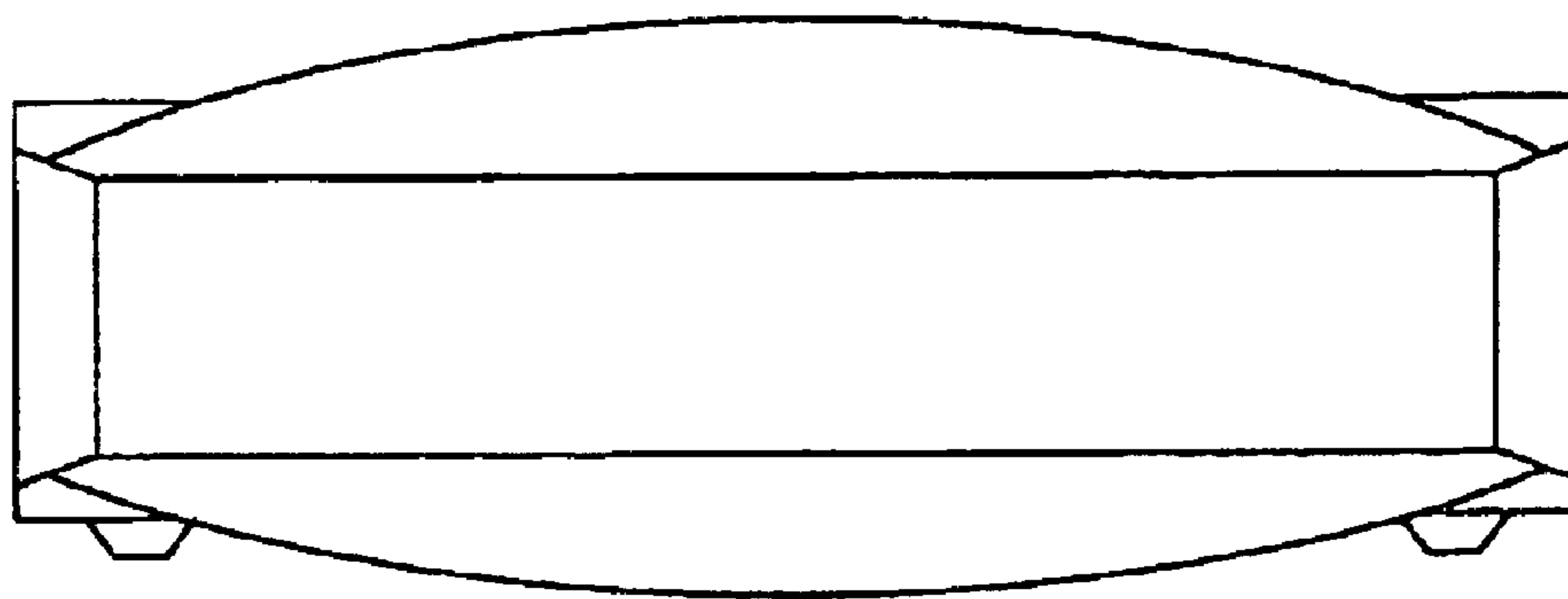


FIG. 7

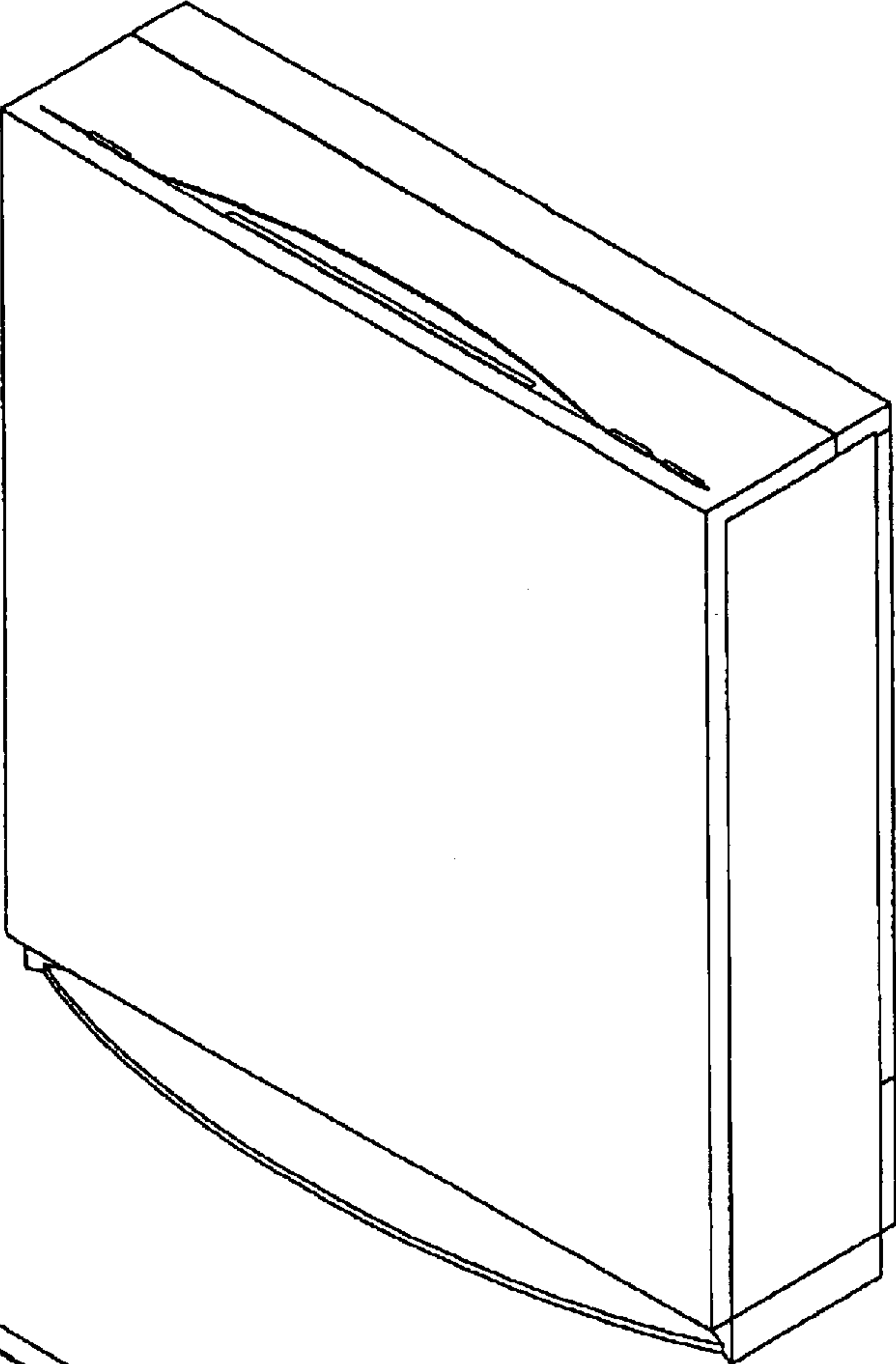


FIG. 8

