

US00D494163S1

(12) **United States Design Patent** (10) **Patent No.:** **US D494,163 S**  
**Ishii** (45) **Date of Patent:** **\*\* Aug. 10, 2004**

(54) **COMPUTER**

(75) Inventor: **Daisuke Ishii**, Tokyo (JP)  
 (73) Assignee: **Sony Corporation**, Tokyo (JP)  
 (\*\*) Term: **14 Years**

(21) Appl. No.: **29/192,207**  
 (22) Filed: **Oct. 22, 2003**

(51) **LOC (7) Cl.** ..... **14-02**  
 (52) **U.S. Cl.** ..... **D14/337**  
 (58) **Field of Search** ..... D14/336, 337,  
 D14/125-129; 345/104, 156, 168, 173,  
 901-905; 341/12; 348/180, 184, 325, 739;  
 349/1, 2, 11, 62

(56) **References Cited**

**U.S. PATENT DOCUMENTS**

D410,439 S	*	6/1999	Shibata	.....	D14/336
D419,535 S	*	1/2000	Tanimura	.....	D14/337
D439,896 S	*	4/2001	Floyd	.....	D14/337
D448,372 S	*	9/2001	Kim	.....	D14/337
D453,022 S		1/2002	Oba		
D454,845 S		3/2002	Niitsu		
D468,306 S	*	1/2003	Tsai	.....	D14/337
D473,531 S		4/2003	Kubota		
D478,583 S		8/2003	Hyogo		

**OTHER PUBLICATIONS**

Catalog "Vaio, PCV-W500, PCV-W111" pp. 20 & 21, Sony (Jun. 2003).  
 Web page "121ware.com, Valuestar FS" [http://121ware.com/community/navigate/index.jsp?BV\\_SessionID=NNN2049728048.10](http://121ware.com/community/navigate/index.jsp?BV_SessionID=NNN2049728048.10) . . . , 2 sheets, 121ware (Aug. 2003).  
 Web page "FMVL22DM" [http://www.yodobashi.com/enjoy/more/oid2\\_184/9090039.html](http://www.yodobashi.com/enjoy/more/oid2_184/9090039.html), 1 sheet, Yodobashi Camera (Aug. 2003).

\* cited by examiner

*Primary Examiner*—Freda S. Nunn

(74) *Attorney, Agent, or Firm*—Rader, Fishman & Grauer PLLC

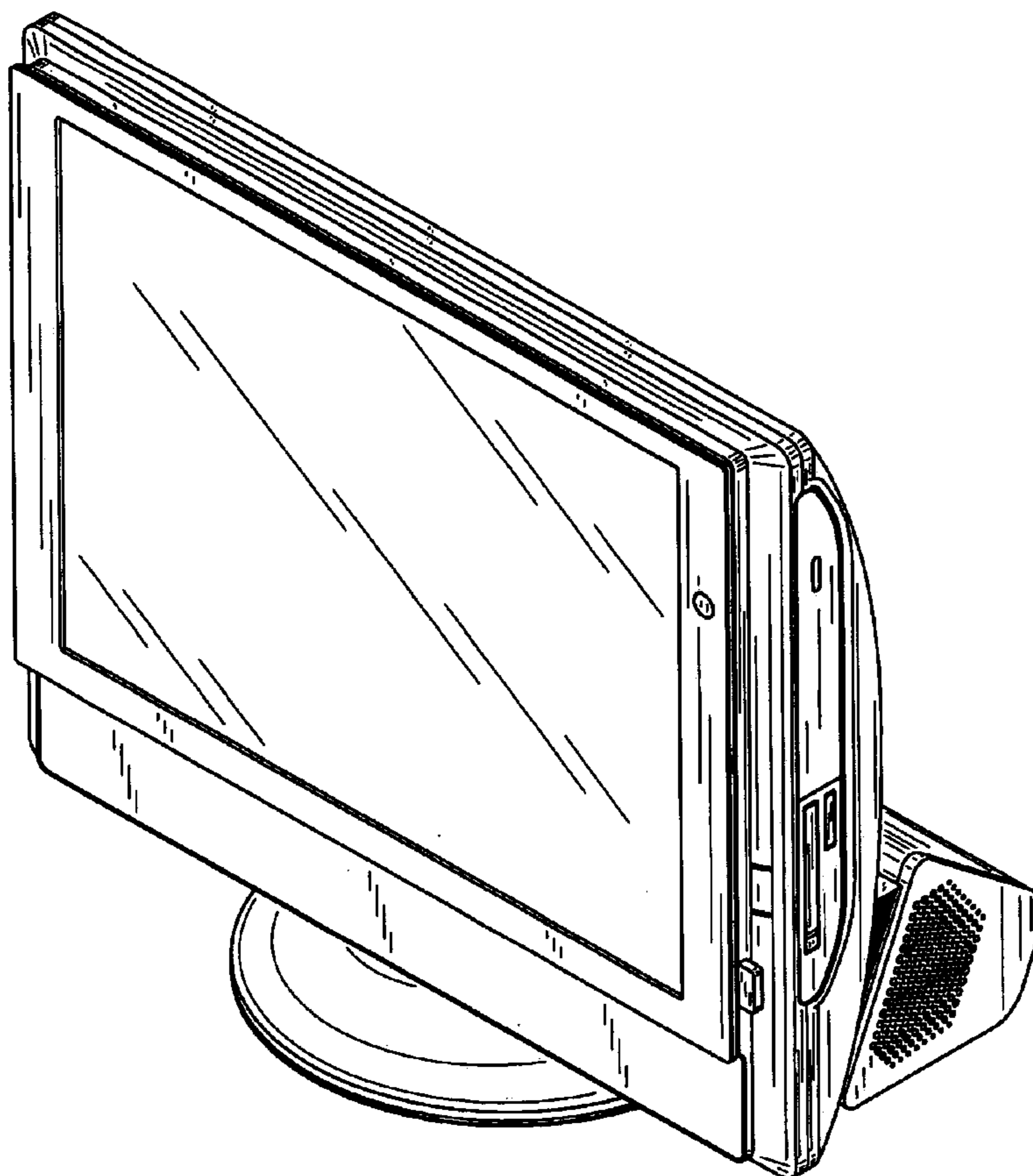
(57) **CLAIM**

The ornamental design for a computer, as shown.

**DESCRIPTION**

FIG. 1 is a perspective view of a computer showing my new design;  
 FIG. 2 is a front elevational view thereof;  
 FIG. 3 is a rear elevational view thereof;  
 FIG. 4 is a left side elevational view thereof;  
 FIG. 5 is a right side elevational view thereof;  
 FIG. 6 is a top plan view thereof; and,  
 FIG. 7 is a bottom plan view thereof.

**1 Claim, 4 Drawing Sheets**



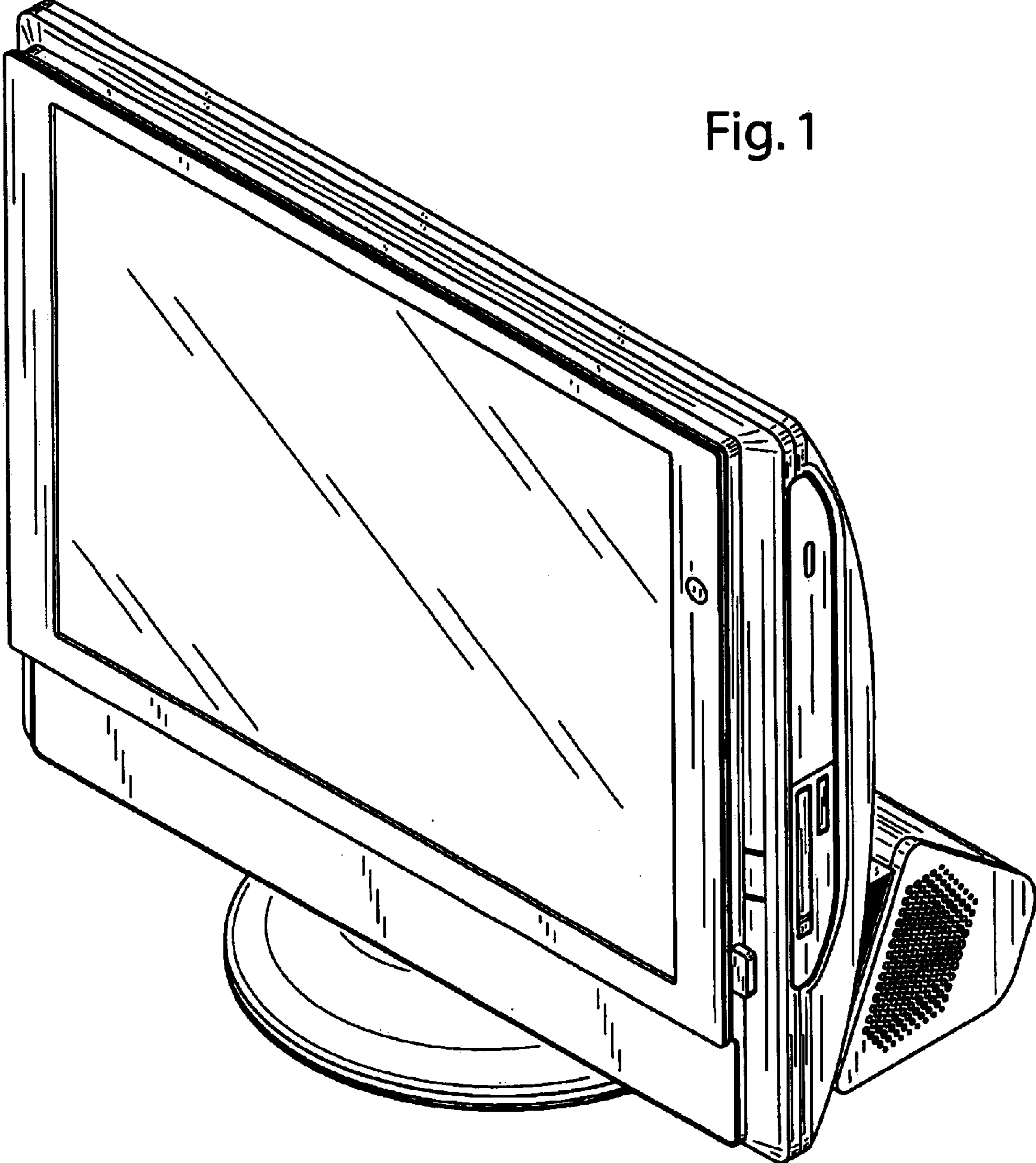


Fig. 1

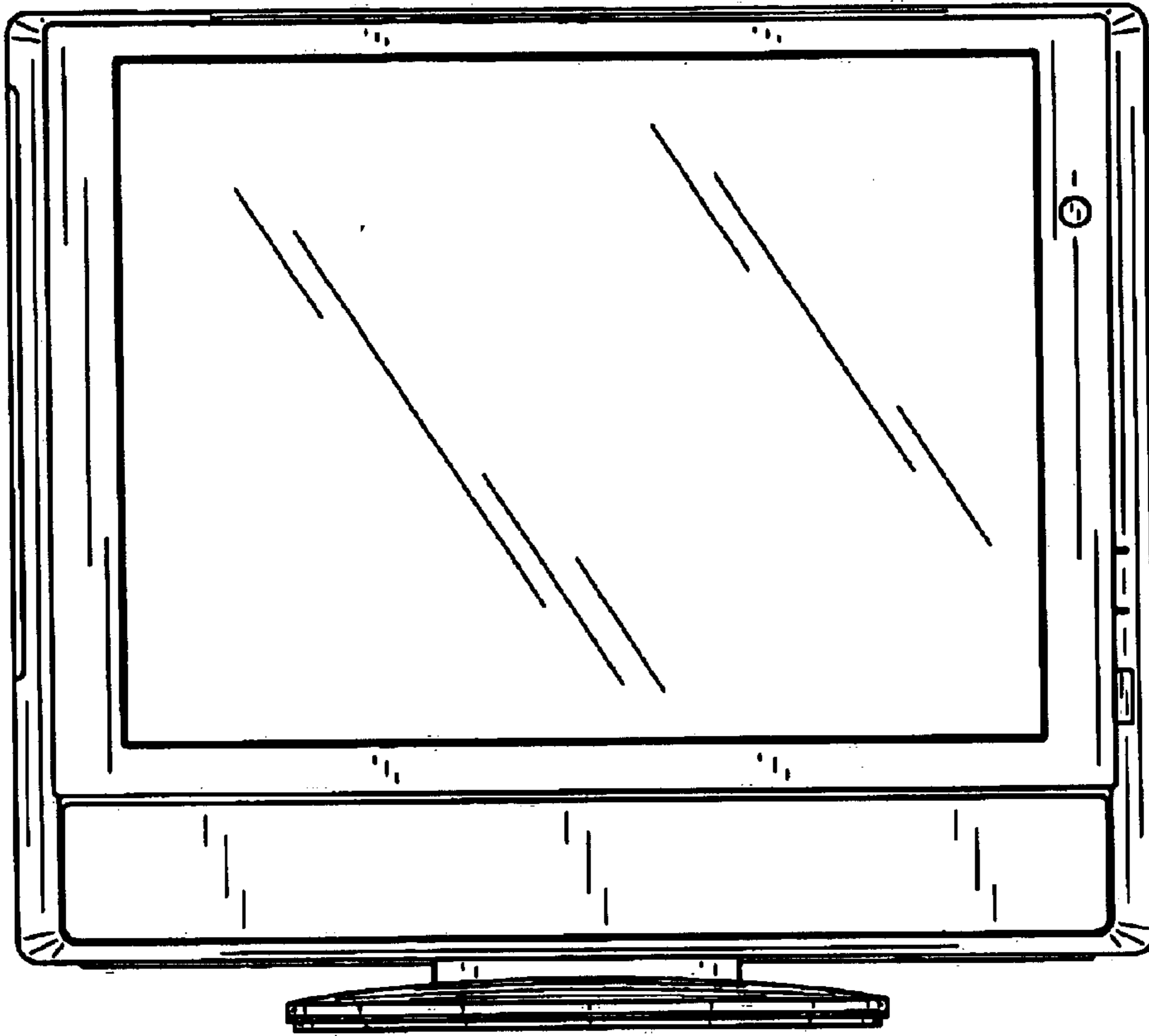


Fig. 2

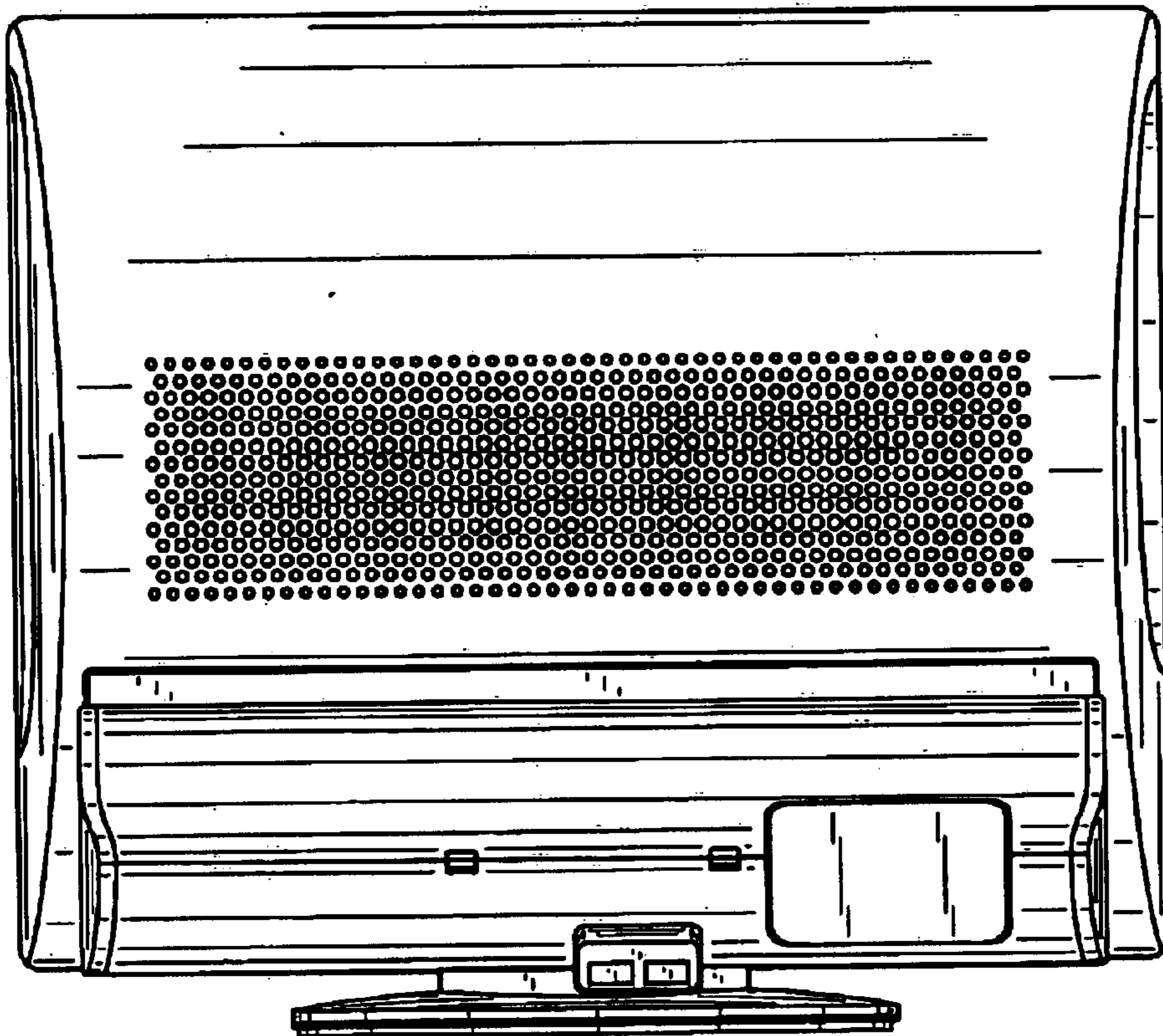


Fig. 3

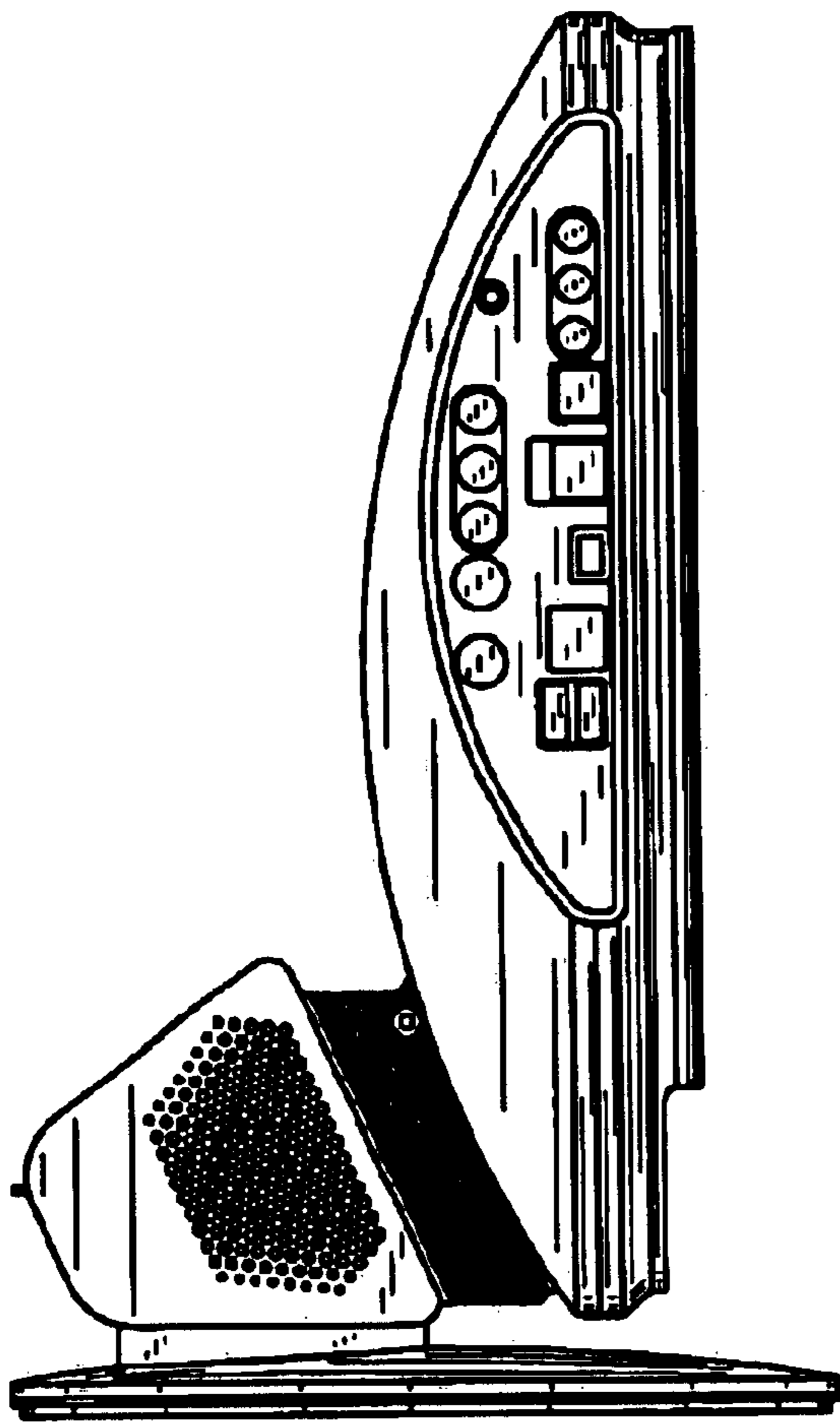


Fig. 4

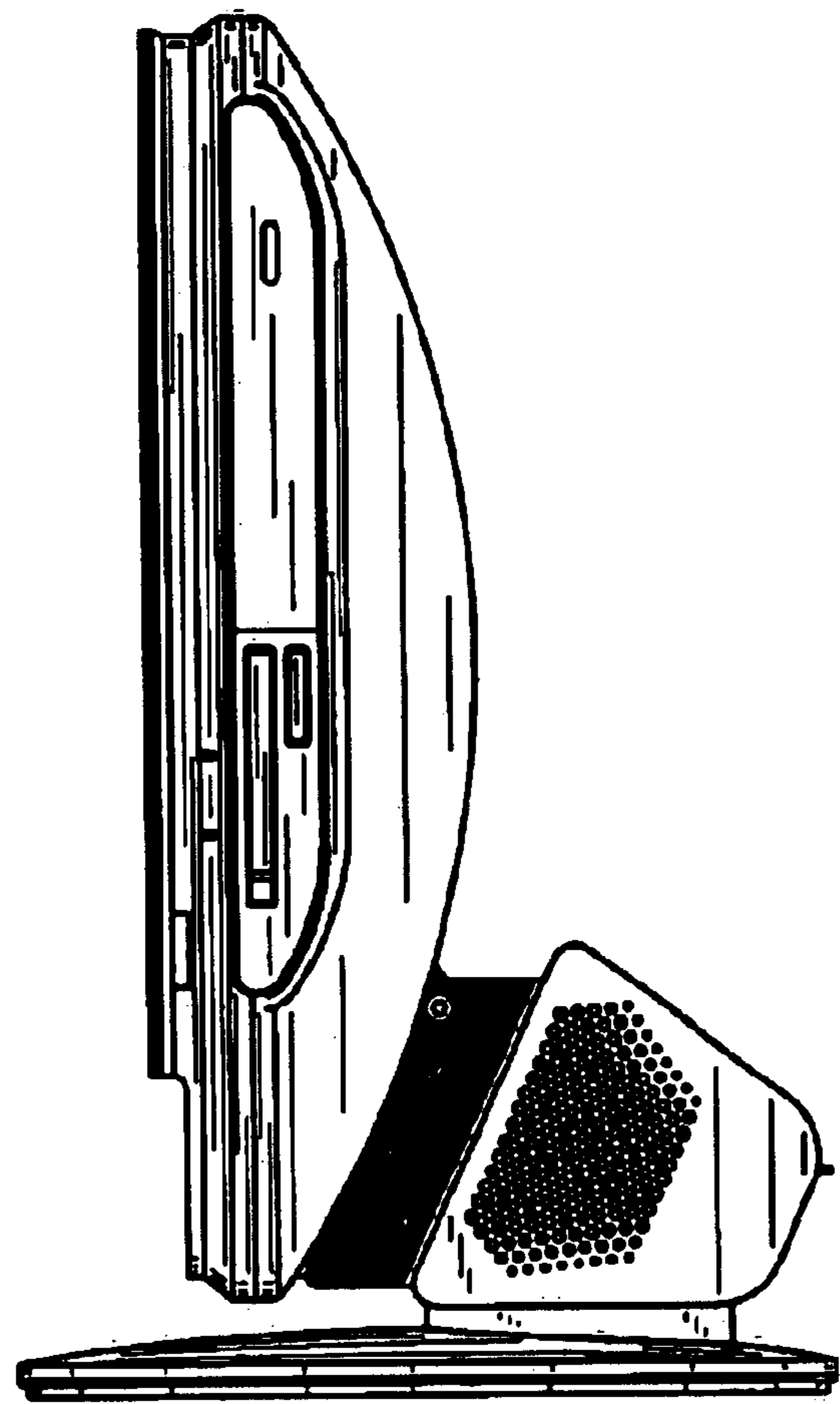


Fig. 5

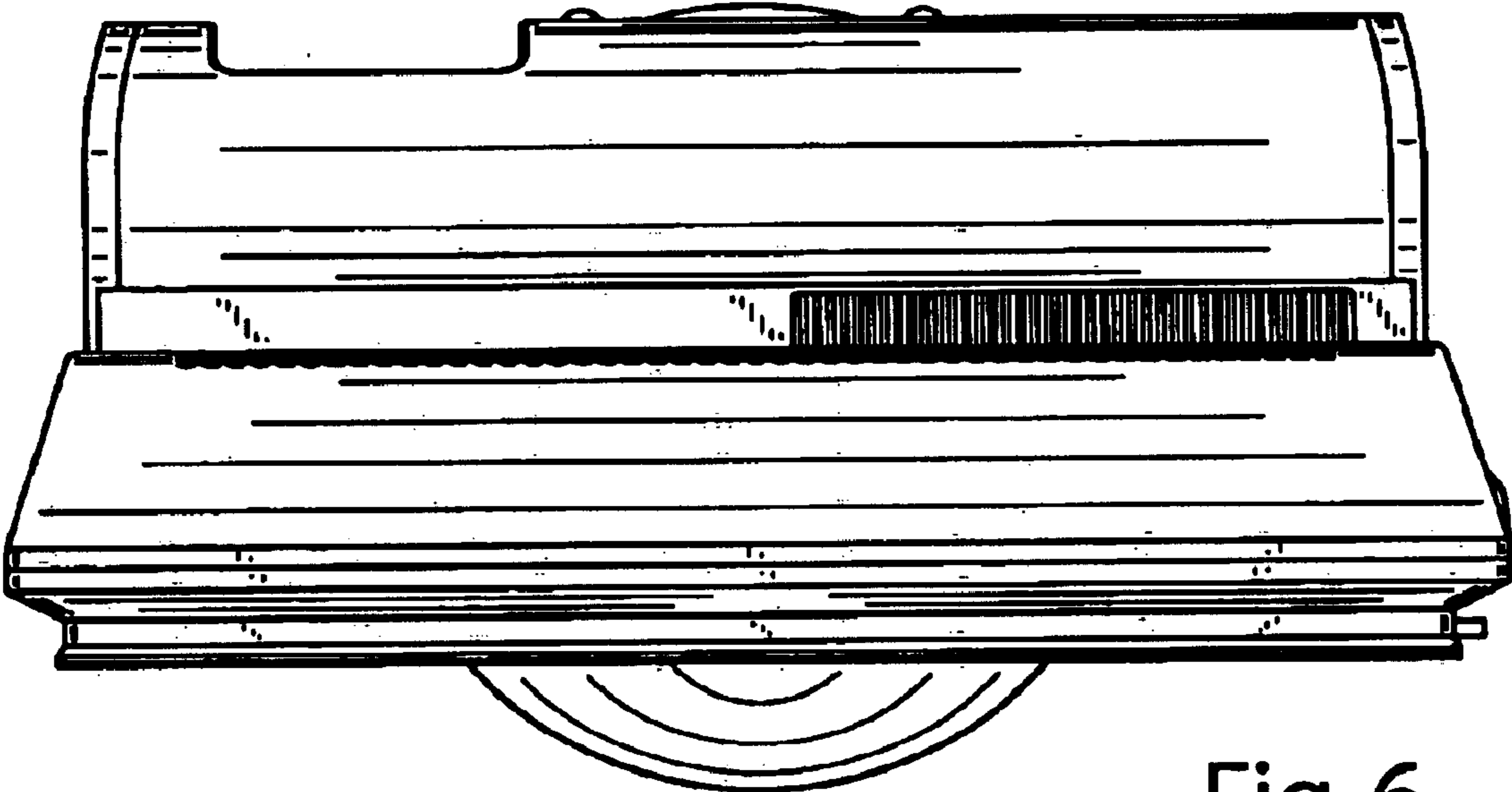


Fig. 6

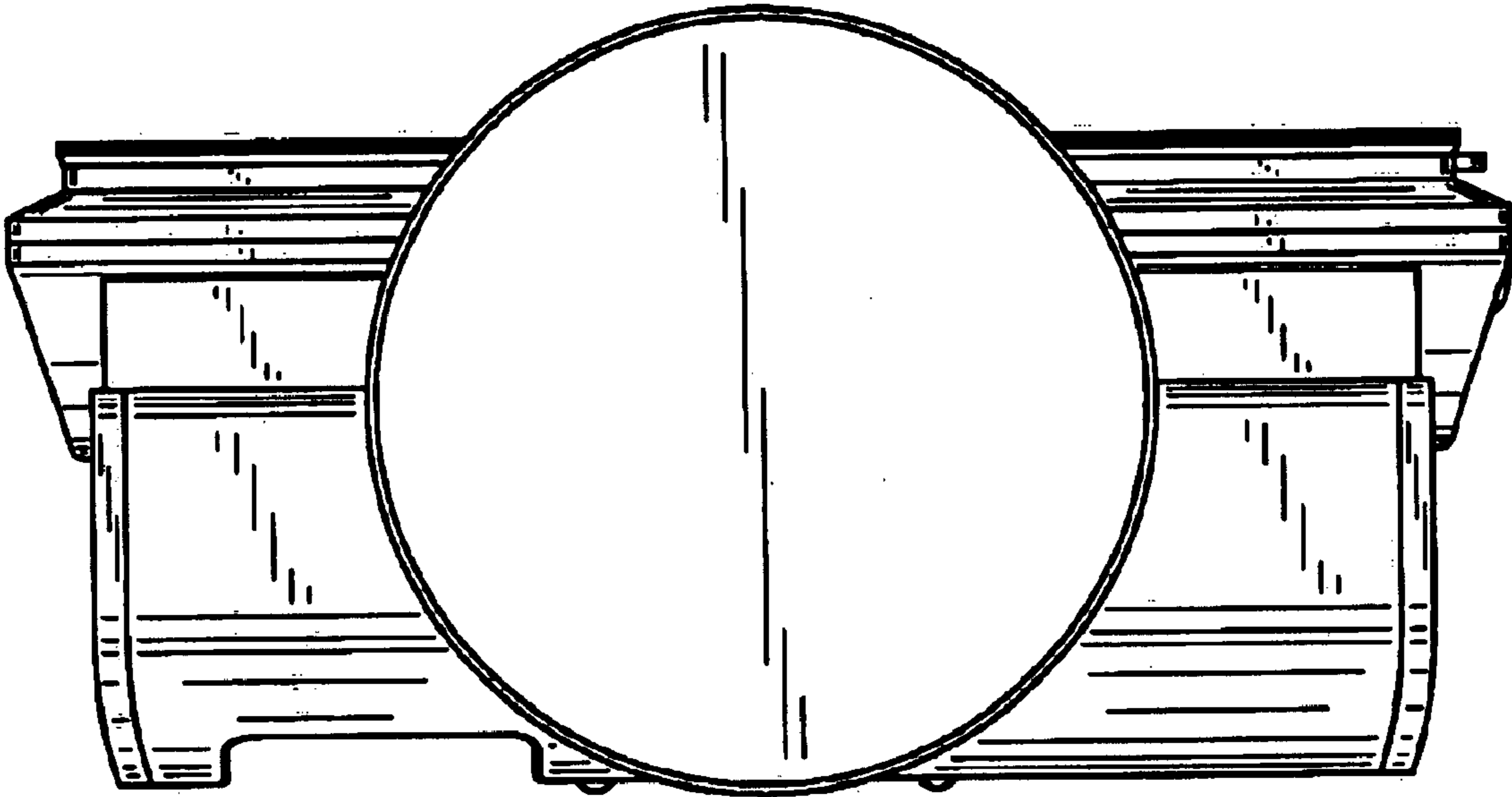


Fig. 7