

US00D494161S1

(12) **United States Design Patent**  
**Sawaquchi**

(10) **Patent No.:** **US D494,161 S**

(45) **Date of Patent:** **\*\* Aug. 10, 2004**

(54) **PERSONAL COMPUTER**

D464,344 S \* 10/2002 Jobs et al. .... D14/318  
D466,498 S \* 12/2002 Wang ..... D14/318

(75) Inventor: **Makoto Sawaquchi**, Tokorozawa (JP)

\* cited by examiner

(73) Assignee: **Fujitsu Limited**, Kawasaki (JP)

*Primary Examiner*—Freda S. Nunn

(\*\*) Term: **14 Years**

(74) *Attorney, Agent, or Firm*—Staas & Halsey LLP

(21) Appl. No.: **29/189,760**

(57) **CLAIM**

(22) Filed: **Sep. 11, 2003**

The ornamental design for a personal computer, as shown and described.

(30) **Foreign Application Priority Data**

**DESCRIPTION**

Mar. 11, 2003 (JP) ..... 2003-006362

(51) **LOC (7) Cl.** ..... **14-02**

(52) **U.S. Cl.** ..... **D14/318**

(58) **Field of Search** ..... D14/315–327;  
D18/1, 2, 7; 235/145 A, 145 R; 341/22,  
23; 345/104, 156, 168, 169, 173; 361/680–686;  
400/486, 489

FIG. 1 is a perspective view of the front, top and right side of a personal computer showing my new design;  
FIG. 2 is a front view thereof;  
FIG. 3 is a rear view thereof;  
FIG. 4 is a right side view thereof;  
FIG. 5 is a left side view thereof;  
FIG. 6 is a top plan view thereof;  
FIG. 7 is a bottom view thereof; and,  
FIG. 8 is a perspective view thereof with the lid in closed condition.

(56) **References Cited**

**U.S. PATENT DOCUMENTS**

D444,464 S \* 7/2001 Amano et al. .... D14/322

**1 Claim, 8 Drawing Sheets**

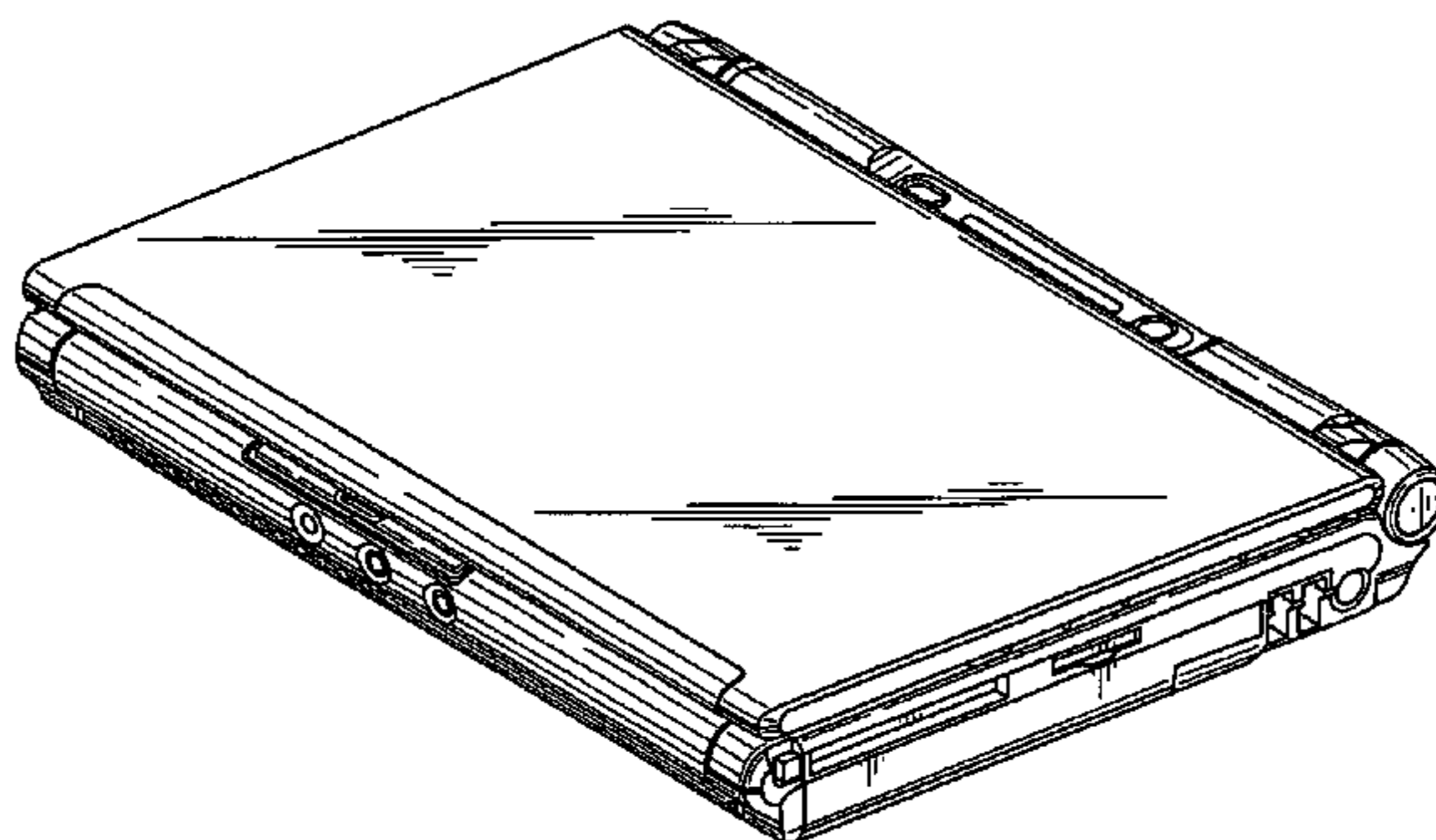
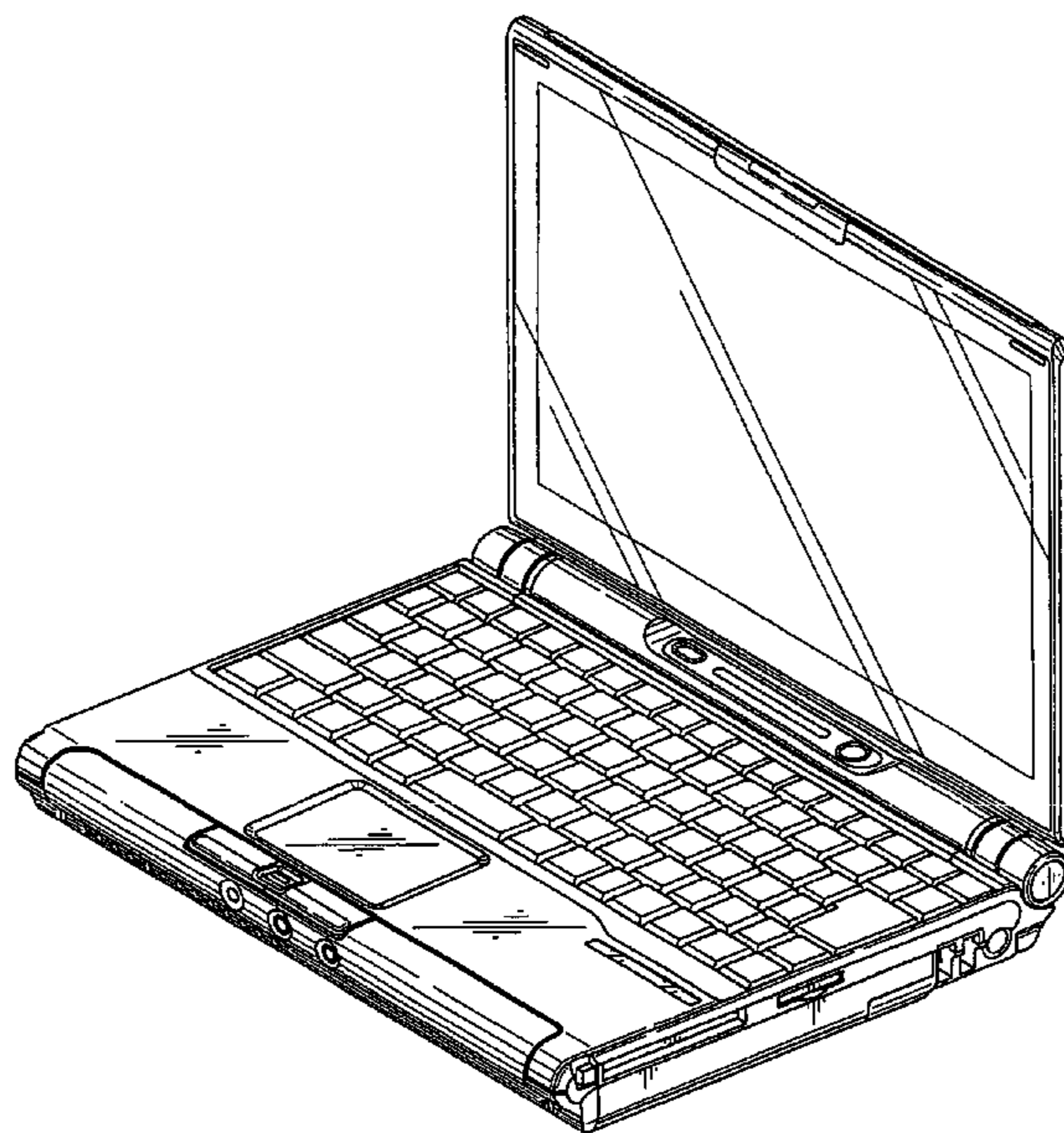
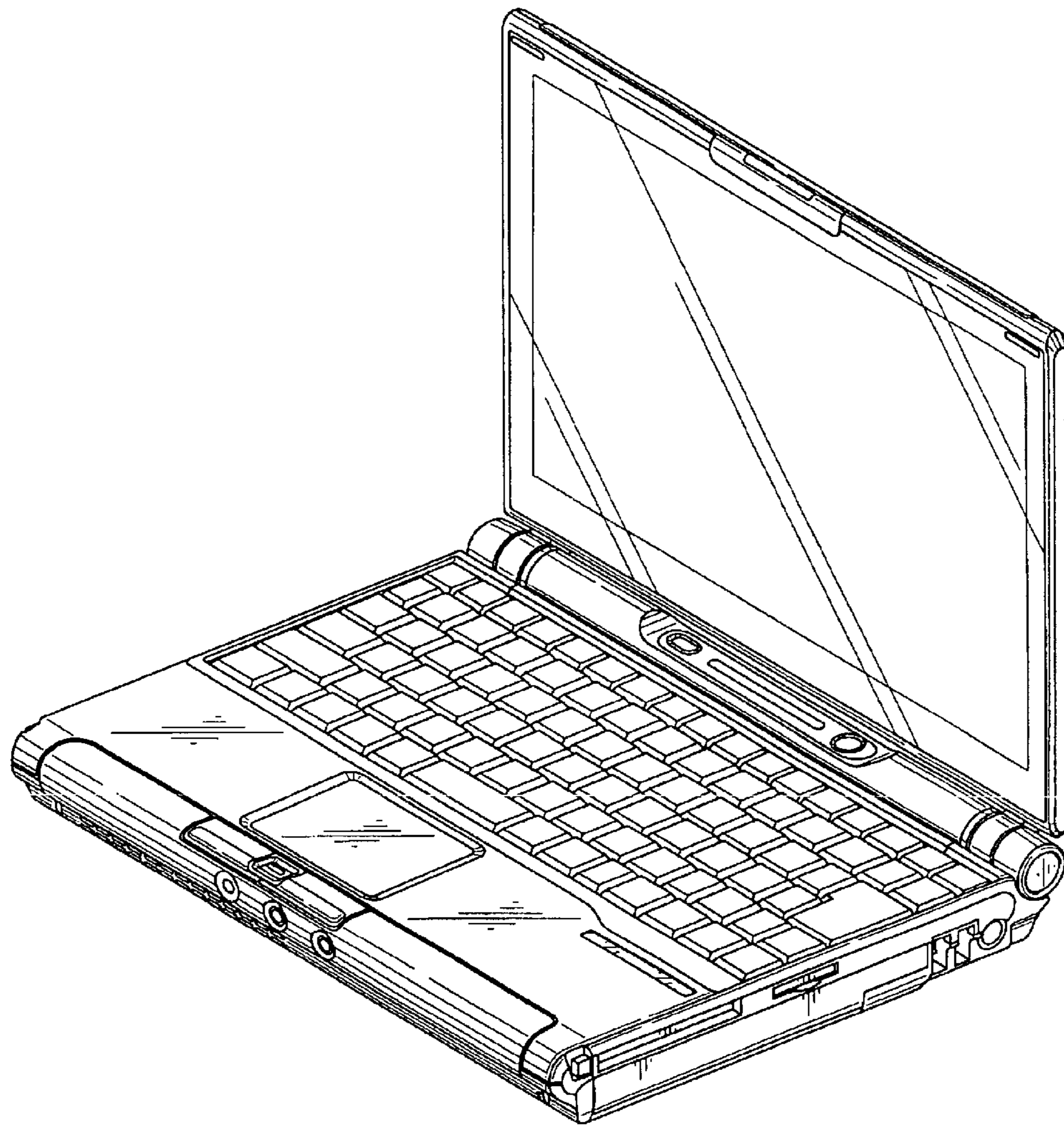
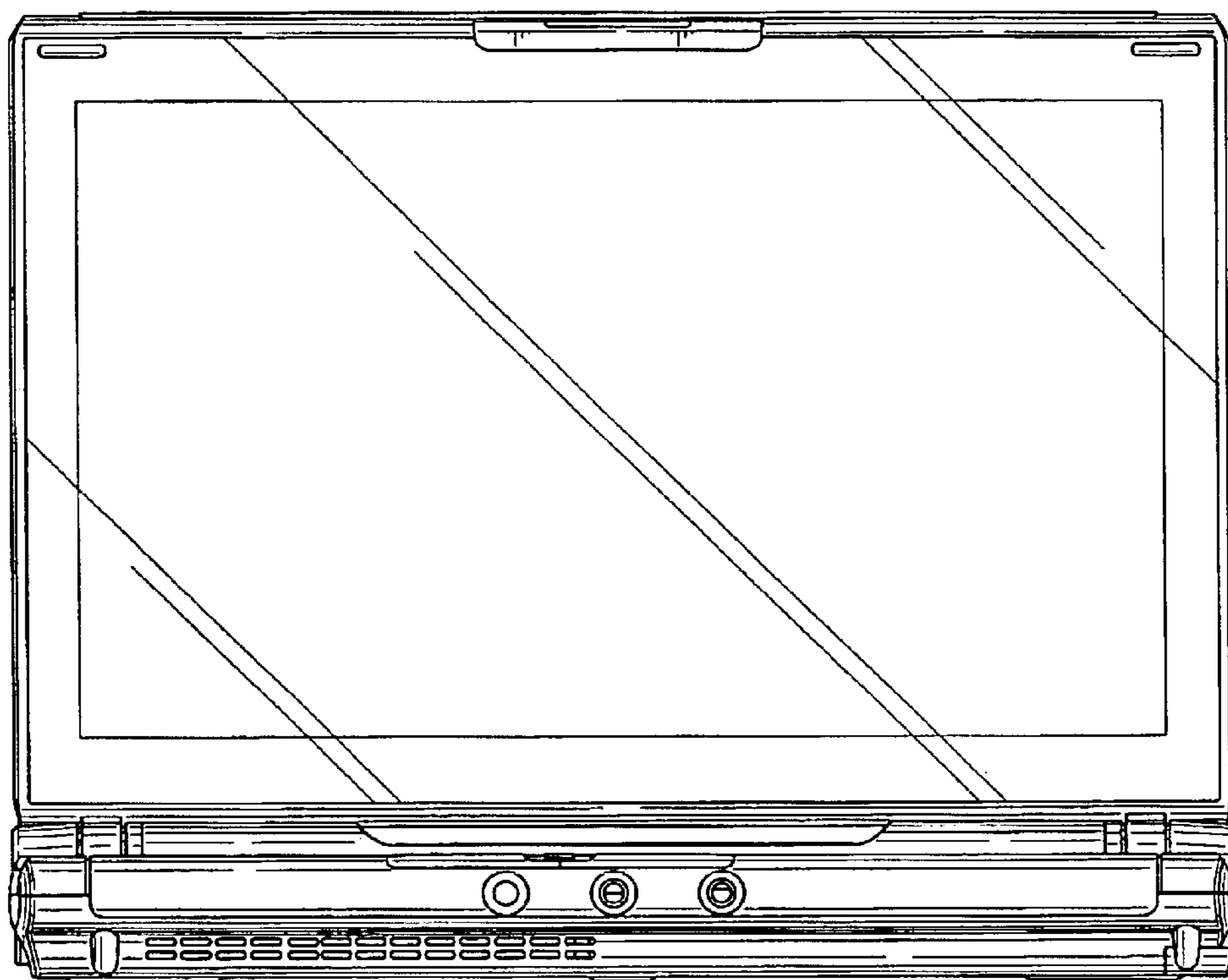


FIG. 1



*FIG. 2*



*FIG. 3*

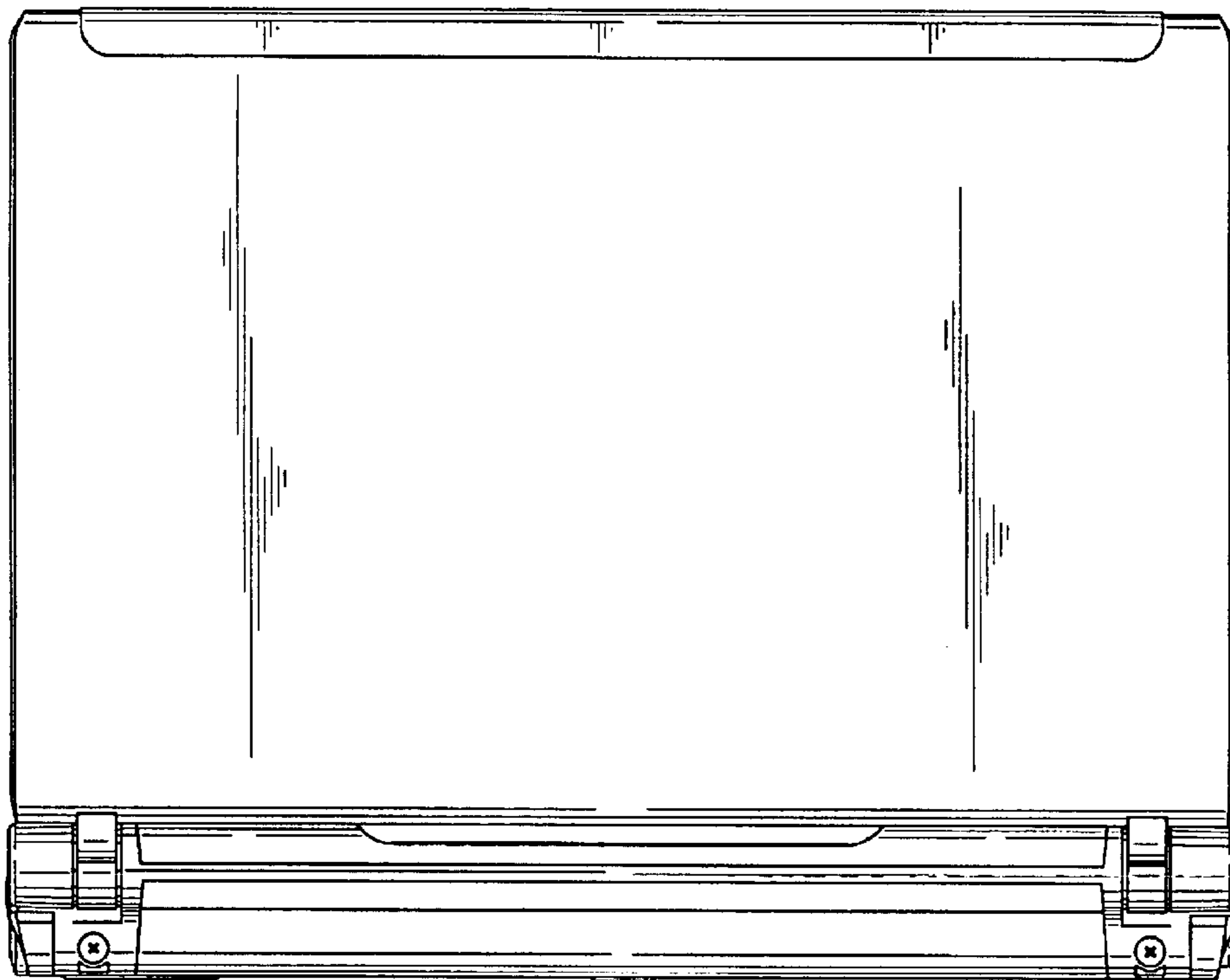
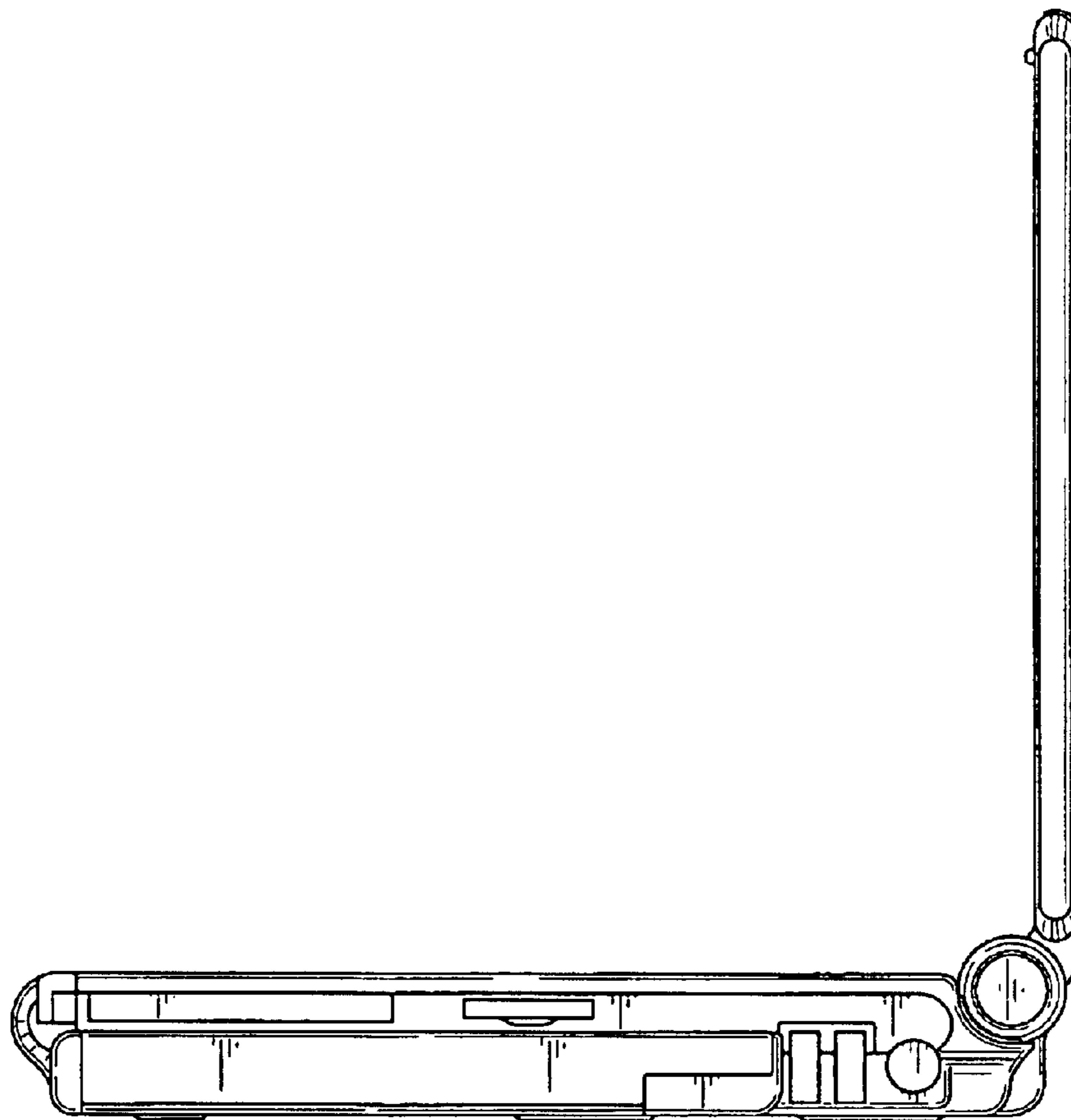
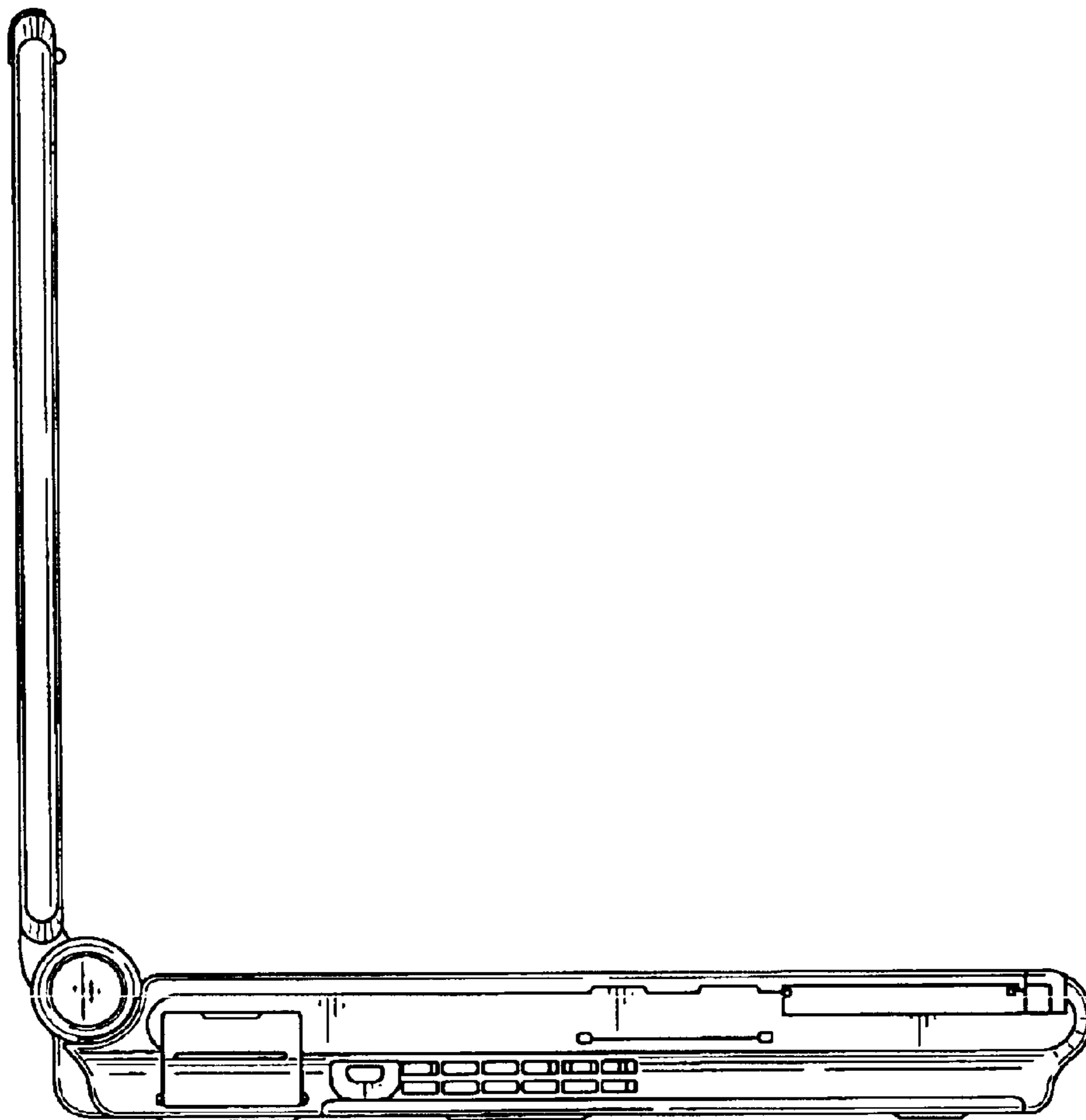


FIG. 4



*FIG. 5*



*FIG. 6*

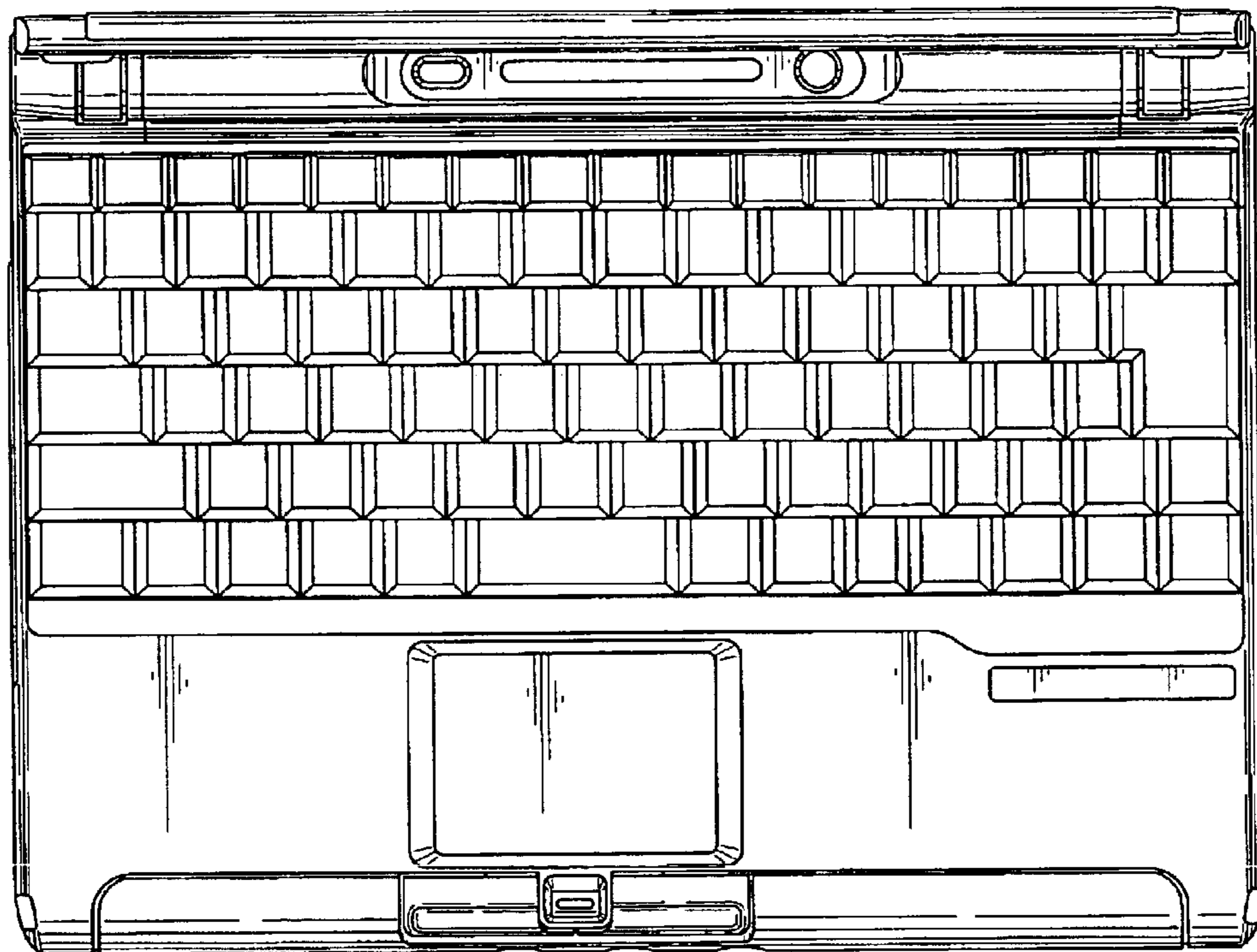


FIG. 7

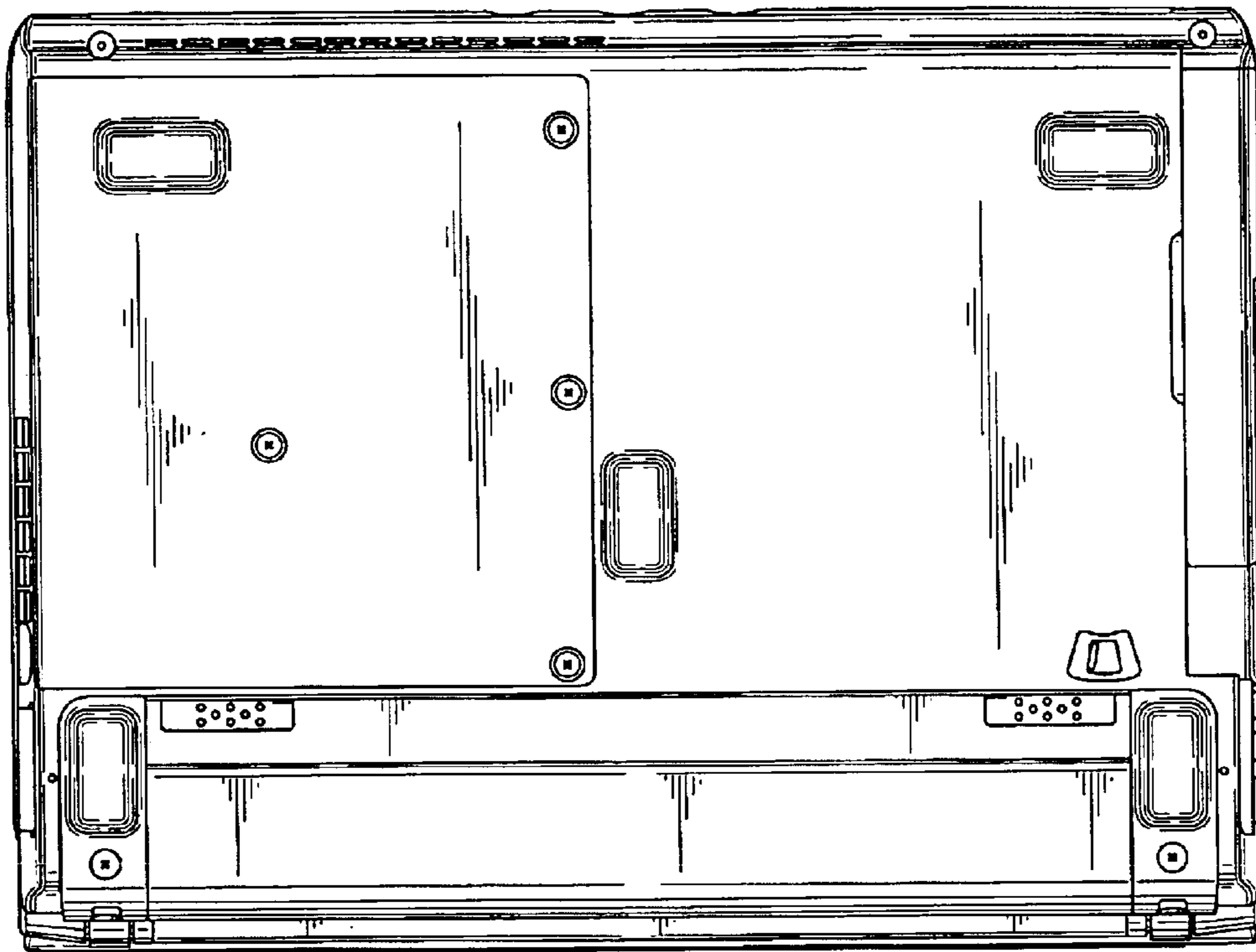




FIG. 8

