

US00D494159S1

(12) **United States Design Patent** (10) **Patent No.:** **US D494,159 S**  
**Wilson et al.** (45) **Date of Patent:** **\*\* Aug. 10, 2004**

(54) **COMPUTER APPARATUS**

(75) Inventors: **Helena Wilson**, Camberley (GB);  
**James Robert Kitchen**, Nr Tadley  
(GB); **Andrew P. Tosh**, Arlington, MA  
(US)

(73) Assignee: **Sun Microsystems, Inc.**, Santa Clara,  
CA (US)

(\*\*) Term: **14 Years**

(21) Appl. No.: **29/172,885**

(22) Filed: **Dec. 18, 2002**

(30) **Foreign Application Priority Data**

Jun. 18, 2002 (GB) ..... 3004560

(51) **LOC (7) Cl.** ..... **14-02**

(52) **U.S. Cl.** ..... **D14/313; D14/367**

(58) **Field of Search** ..... D14/300-313,  
D14/348-356, 441, 432, 444, 439, 445,  
446, 367; 312/223.2; 361/683, 684, 687,  
690, 695, 724-730, 796; 710/100

(56) **References Cited**

**U.S. PATENT DOCUMENTS**

- 5,359,492 A \* 10/1994 Porter ..... 361/683
- 5,995,377 A \* 11/1999 Tusler et al. .... 361/796
- 6,018,125 A \* 1/2000 Collins et al. .... 174/35 R
- D423,479 S \* 4/2000 Alo et al. .... D14/432
- 6,052,278 A \* 4/2000 Tanzer et al. .... 361/685
- 6,064,568 A \* 5/2000 Schmitt ..... 361/685
- 6,067,225 A \* 5/2000 Reznikov et al. .... 361/685
- 6,154,361 A \* 11/2000 Anderson et al. .... 361/685
- D442,181 S \* 5/2001 Alo et al. .... D14/432
- 6,424,523 B1 \* 7/2002 Curtis et al. .... 361/685

- 6,424,526 B1 \* 7/2002 Heard ..... 361/687
- 6,473,300 B1 \* 10/2002 Youngquist et al. .... 361/685
- 6,498,723 B1 \* 12/2002 Konshak et al. .... 361/685
- D469,084 S \* 1/2003 Frank ..... D14/313
- D475,027 S \* 5/2003 Frank et al. .... D13/182
- 6,560,098 B1 \* 5/2003 Beinor, Jr. et al. .... 361/685
- D476,990 S \* 7/2003 Lee et al. .... D14/363
- 2002/0141153 A1 \* 10/2002 Su ..... 361/687
- 2002/0199048 A1 \* 12/2002 Rabinovitz ..... 710/100
- 2003/0011979 A1 \* 1/2003 Tanzer ..... 361/685
- 2003/0011981 A1 \* 1/2003 Curtis ..... 361/685
- 2003/0030977 A1 \* 2/2003 Garnett et al. .... 361/687

\* cited by examiner

*Primary Examiner*—Joel Sincavage

(74) *Attorney, Agent, or Firm*—Meyertons Hood Kivlin  
Kowert & Goetzl, P.C.; B. Noël Kivlin

(57) **CLAIM**

The ornamental design for a computer apparatus, as shown  
and described.

**DESCRIPTION**

FIG. 1 is a front perspective view from above and one side  
of a computer apparatus.

FIG. 2 is a rear perspective view from below and other side  
of a computer apparatus.

FIG. 3 is a side view of a computer apparatus

FIG. 4 is another side view of a computer apparatus.

FIG. 5 is a plan view of a computer apparatus.

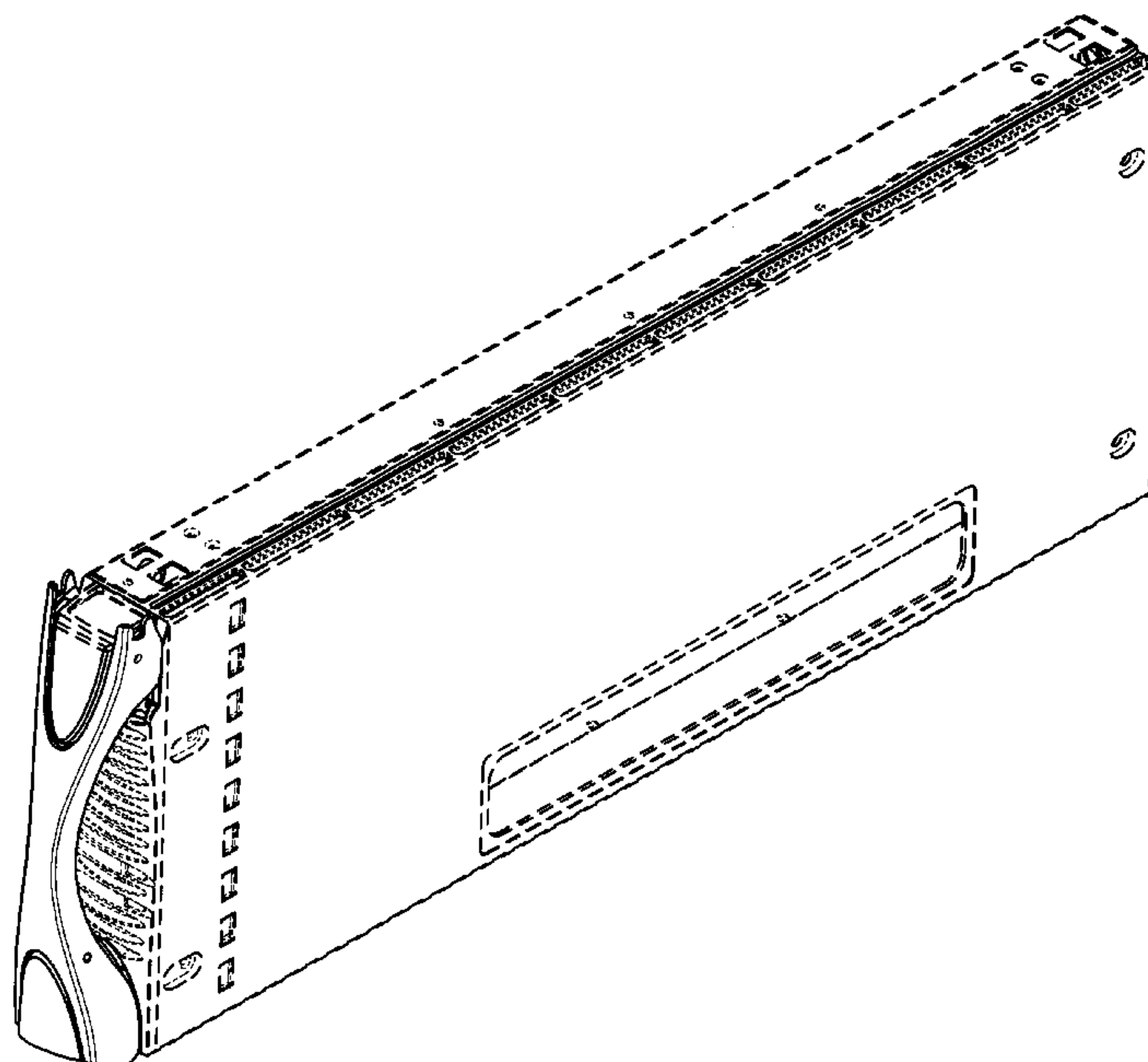
FIG. 6 is an underneath plan view of a computer apparatus.

FIG. 7 is a front view of a computer apparatus; and,

FIG. 8 is a rear view of a computer apparatus.

The portions of the drawings shown in broken lines are for  
illustrative purposes only and form no part of the claimed  
design.

**1 Claim, 6 Drawing Sheets**



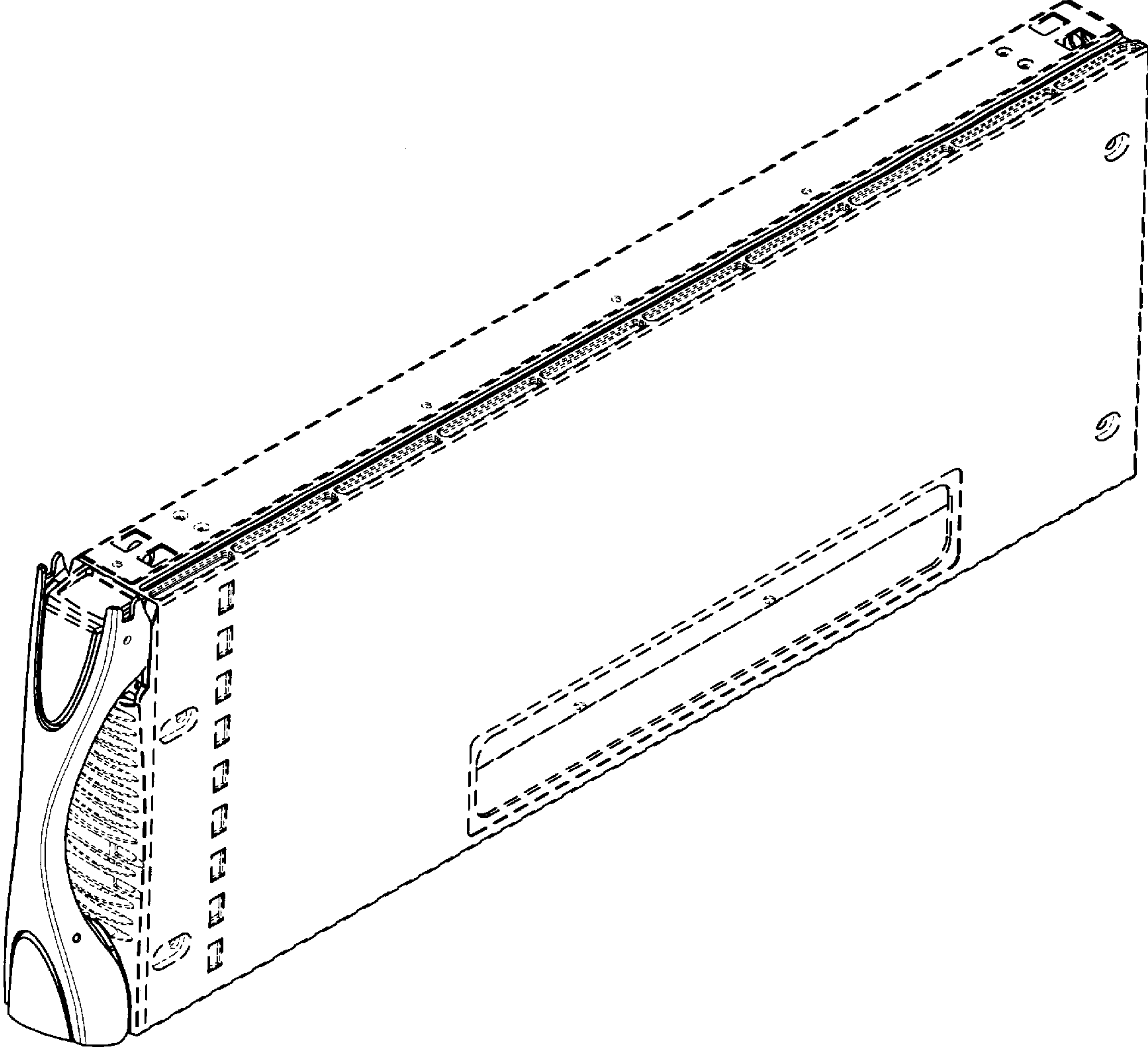


FIG. 1

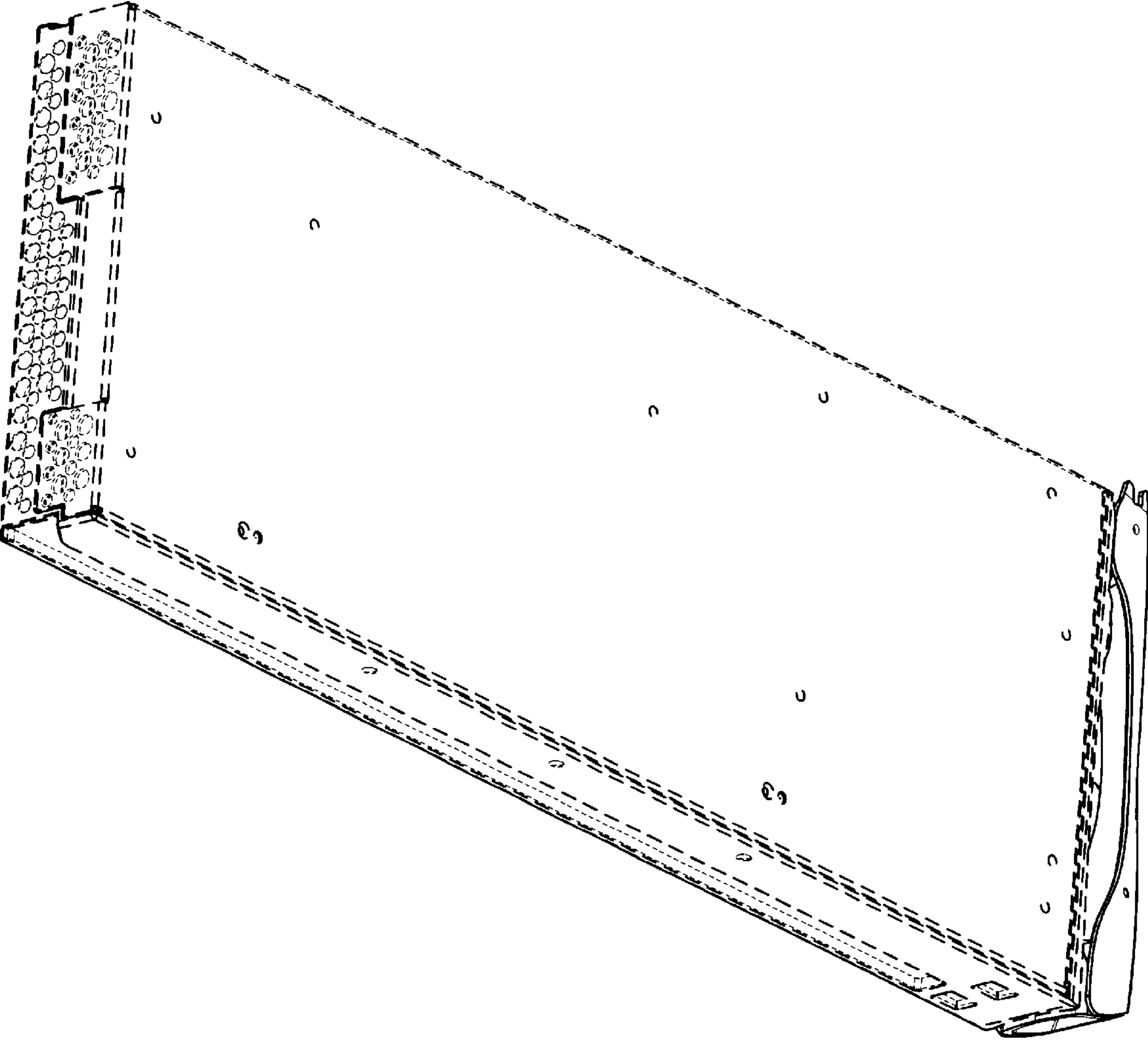


FIG. 2

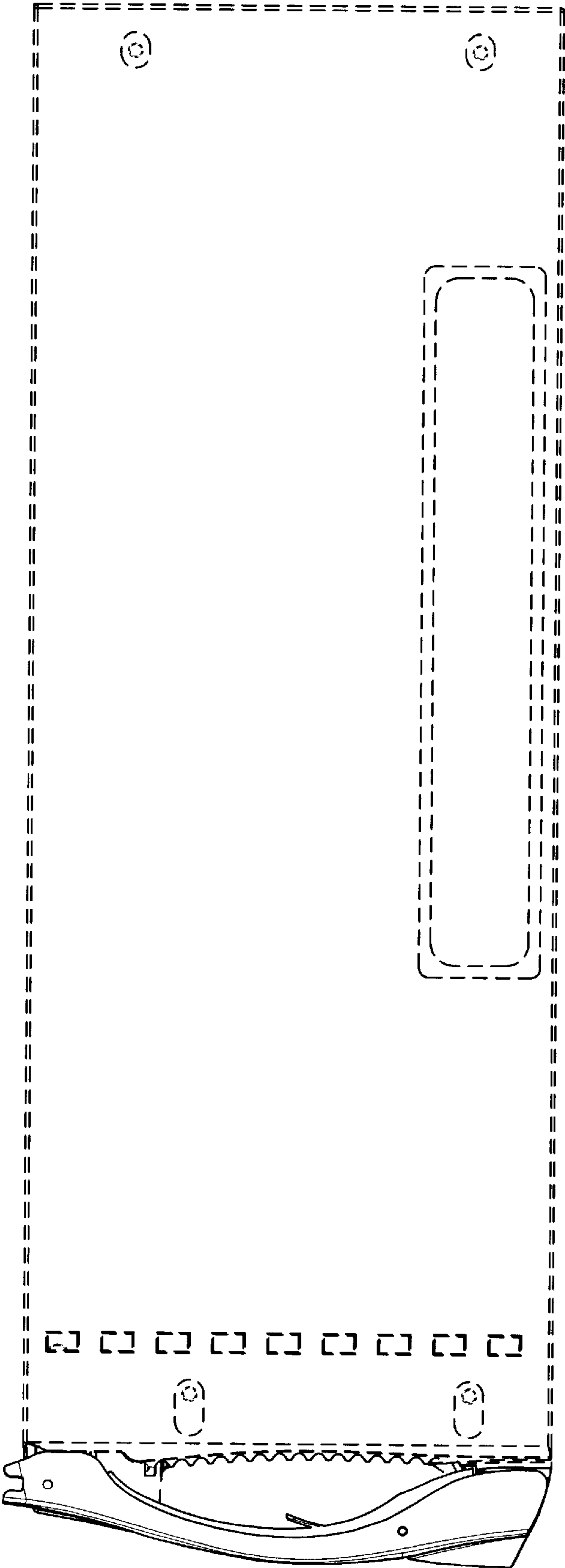


FIG. 3

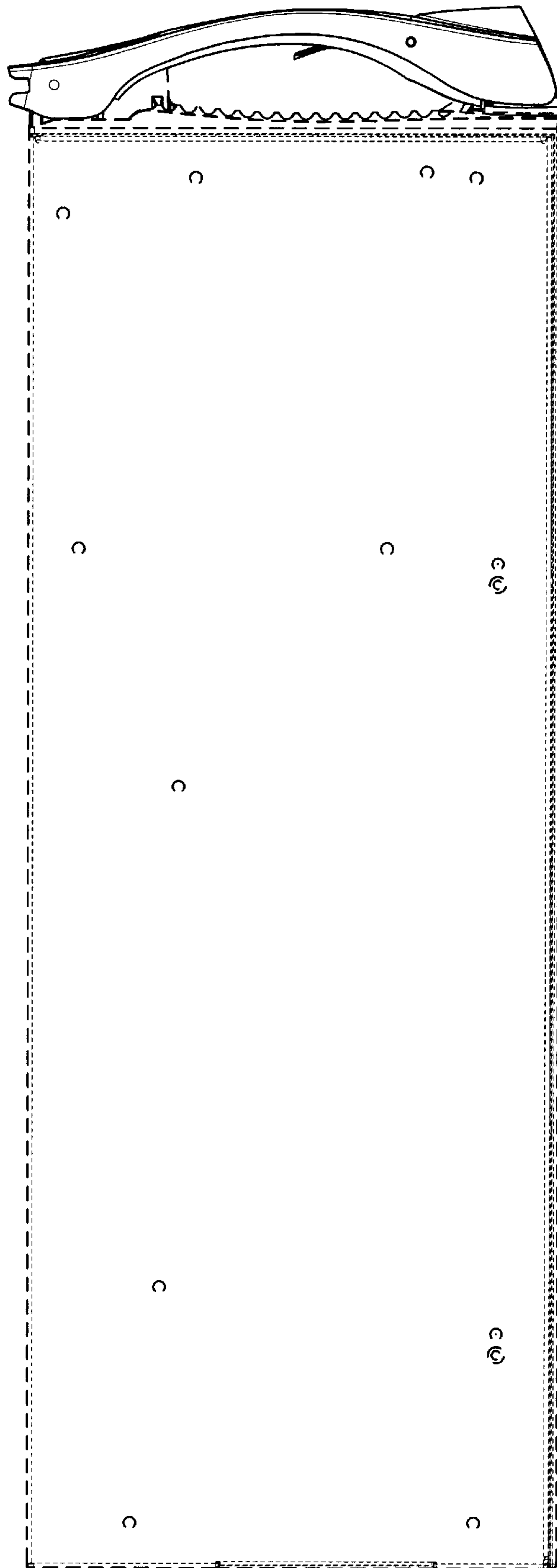


FIG. 4



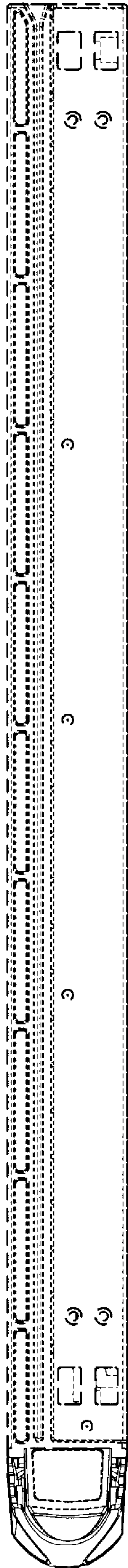


FIG. 5

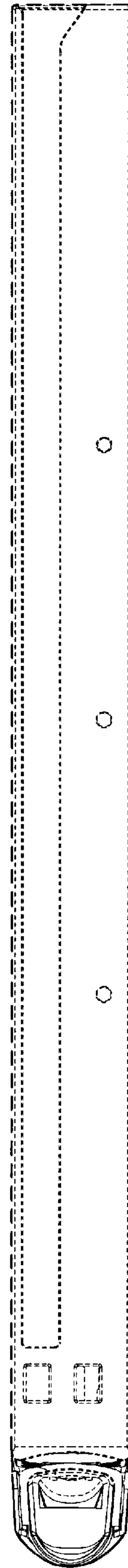


FIG. 6

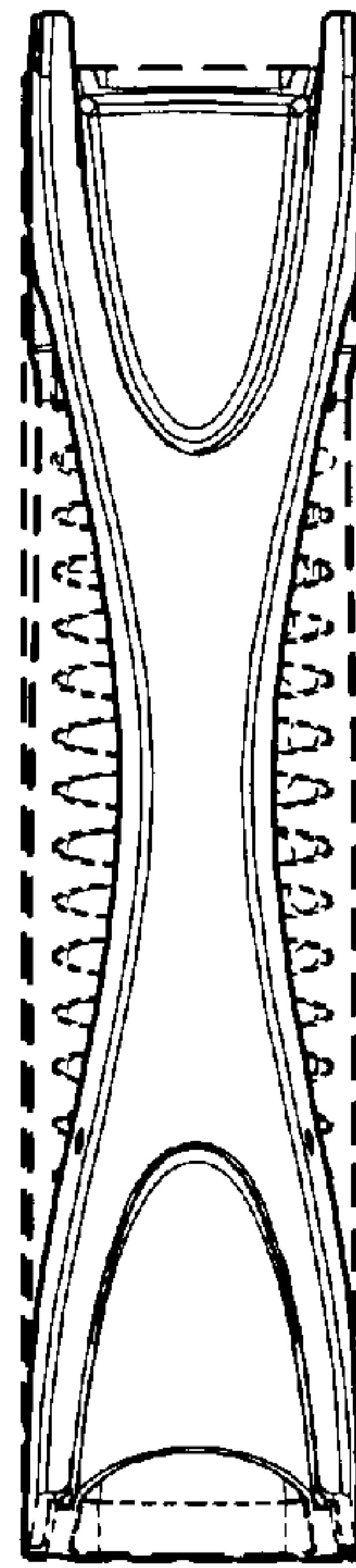


FIG. 7

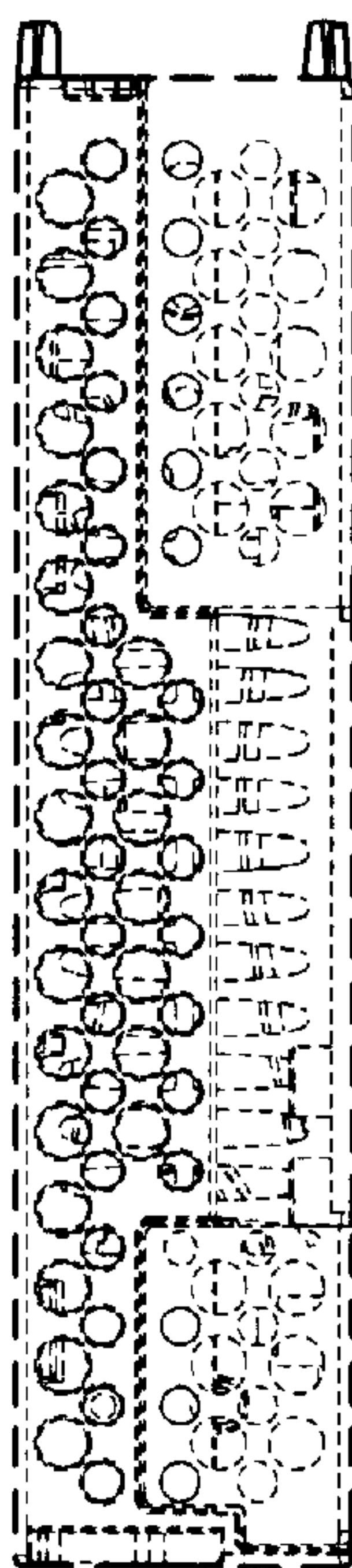


FIG. 8