

US00D494147S1

(12) **United States Design Patent** (10) **Patent No.:** **US D494,147 S**
Takagi et al. (45) **Date of Patent:** **** *Aug. 10, 2004**

(54) **OPTICAL MODULE**

6,587,491 B1 * 7/2003 Yamamoto 372/43

(75) Inventors: **Shinichi Takagi**, Tokyo (JP); **Hiroshi Aruga**, Tokyo (JP); **Kiyohide Sakai**, Tokyo (JP)

* cited by examiner

Primary Examiner—Philip S. Hyder
Assistant Examiner—Selina Sikder

(73) Assignee: **Mitsubishi Denki Kabushiki Kaisha**, Tokyo (JP)

(74) *Attorney, Agent, or Firm*—Oblon, Spivak, McClelland, Maier & Neustadt, P.C.

(*) Notice: This patent is subject to a terminal disclaimer.

(57) **CLAIM**

The ornamental design for an optical module, as shown and described.

(**) Term: **14 Years**

DESCRIPTION

(21) Appl. No.: **29/173,474**

FIG. 1 is a front, top and right side perspective view of an optical module, showing our new design; FIG. 2 is a front elevational view thereof; FIG. 3 is a rear elevational view thereof; FIG. 4 is a top plan view thereof; FIG. 5 is a bottom plan view thereof; FIG. 6 is a right side elevational view thereof, the left side elevational view is omitted as that is symmetrical to the right side elevational view thereof; FIG. 7 is a front, top and right side perspective view of a second embodiment of the optical module, showing our new design; FIG. 8 is a front elevational view thereof; FIG. 9 is a rear elevational view thereof; FIG. 10 is a top plan view thereof; FIG. 11 is a bottom plan view thereof; and, FIG. 12 is a right side elevational view thereof, the left side elevational view is omitted as that is symmetrical to the right side elevational view thereof. The broken lines in all views are shown for illustrative purposes only and form no part of the claimed design.

(22) Filed: **Dec. 31, 2002**

(30) **Foreign Application Priority Data**

Jul. 10, 2002 (JP) 2002-018489
Jul. 10, 2002 (JP) 2002-018490

(51) **LOC (7) Cl.** **13-03**

(52) **U.S. Cl.** **D13/182**

(58) **Field of Search** D13/182; 250/239; 257/36, 82, 99, 678, 679, 432, 433, 773; 372/31, 36, 43; 385/94; 438/411

(56) **References Cited**

U.S. PATENT DOCUMENTS

4,768,070 A * 8/1988 Takizawa et al. 372/31
5,052,009 A * 9/1991 Tsuboi et al. 372/36
5,252,856 A * 10/1993 Murai 257/678
5,814,871 A * 9/1998 Furukawa et al. 257/433
6,181,720 B1 * 1/2001 Kanemoto et al. 372/43
6,479,889 B1 * 11/2002 Yoshida et al. 257/678
D476,296 S * 6/2003 Koizumi D13/182
6,577,656 B2 * 6/2003 Chen et al. 372/36

1 Claim, 4 Drawing Sheets

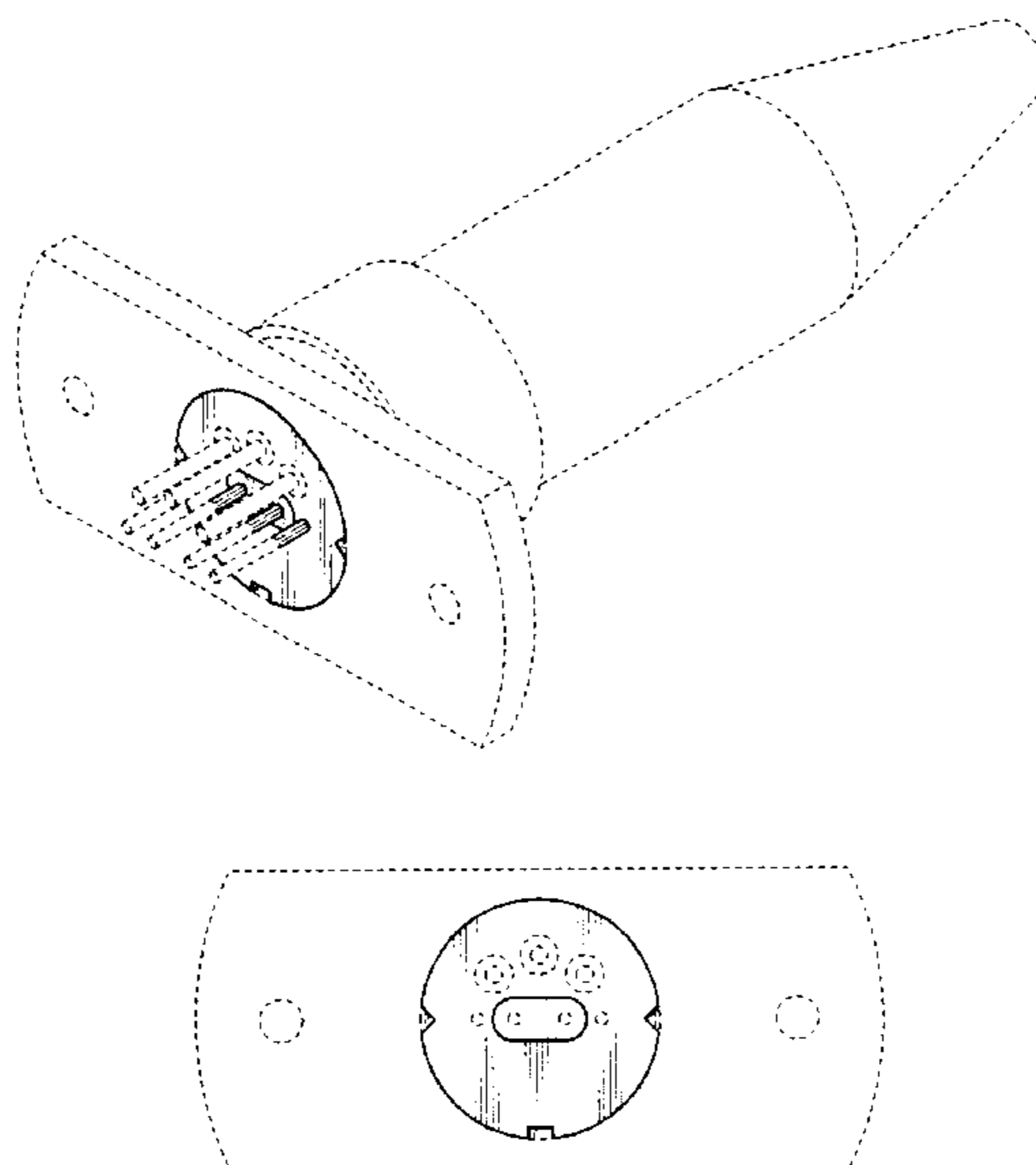


FIG. 1

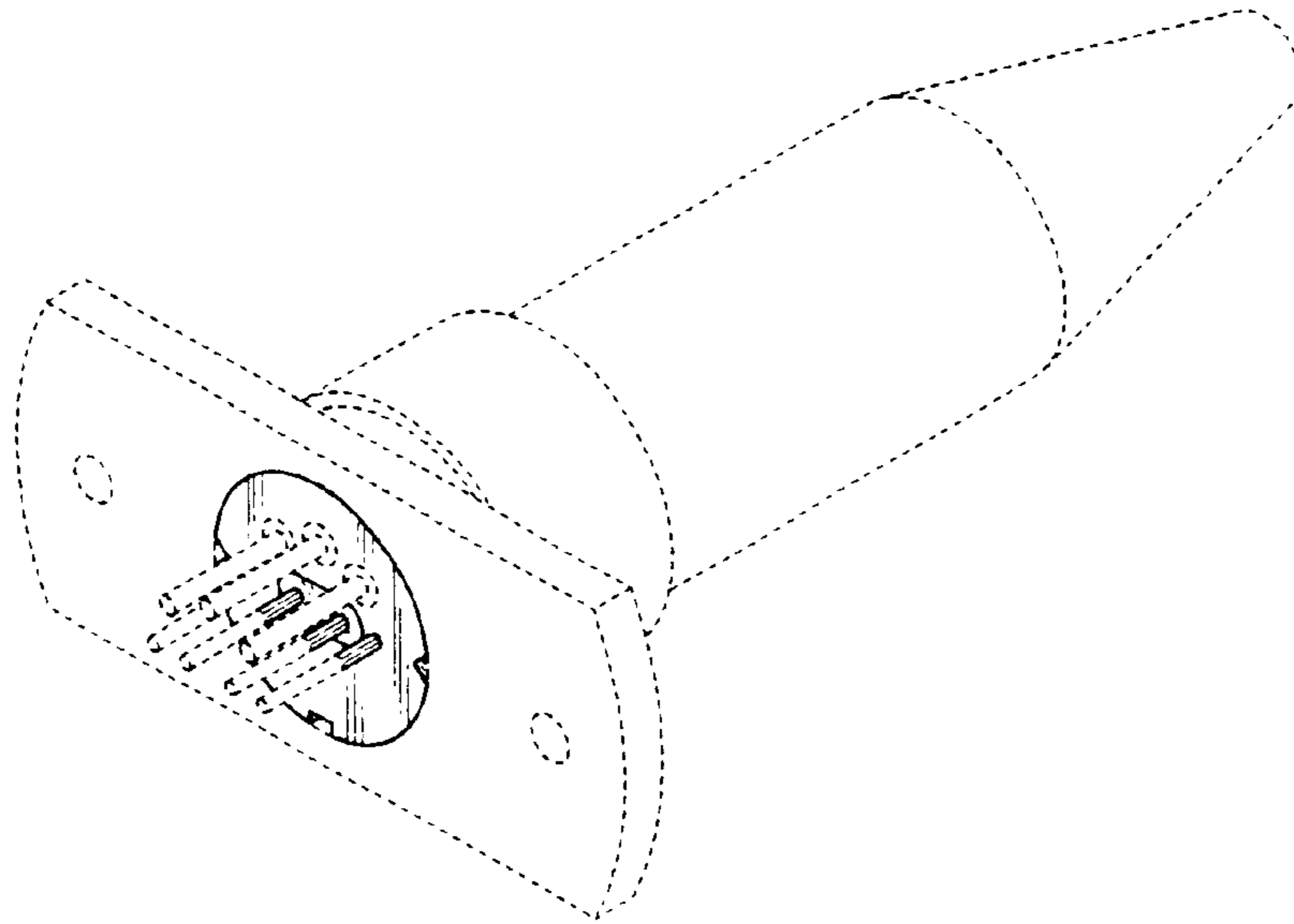


FIG. 2

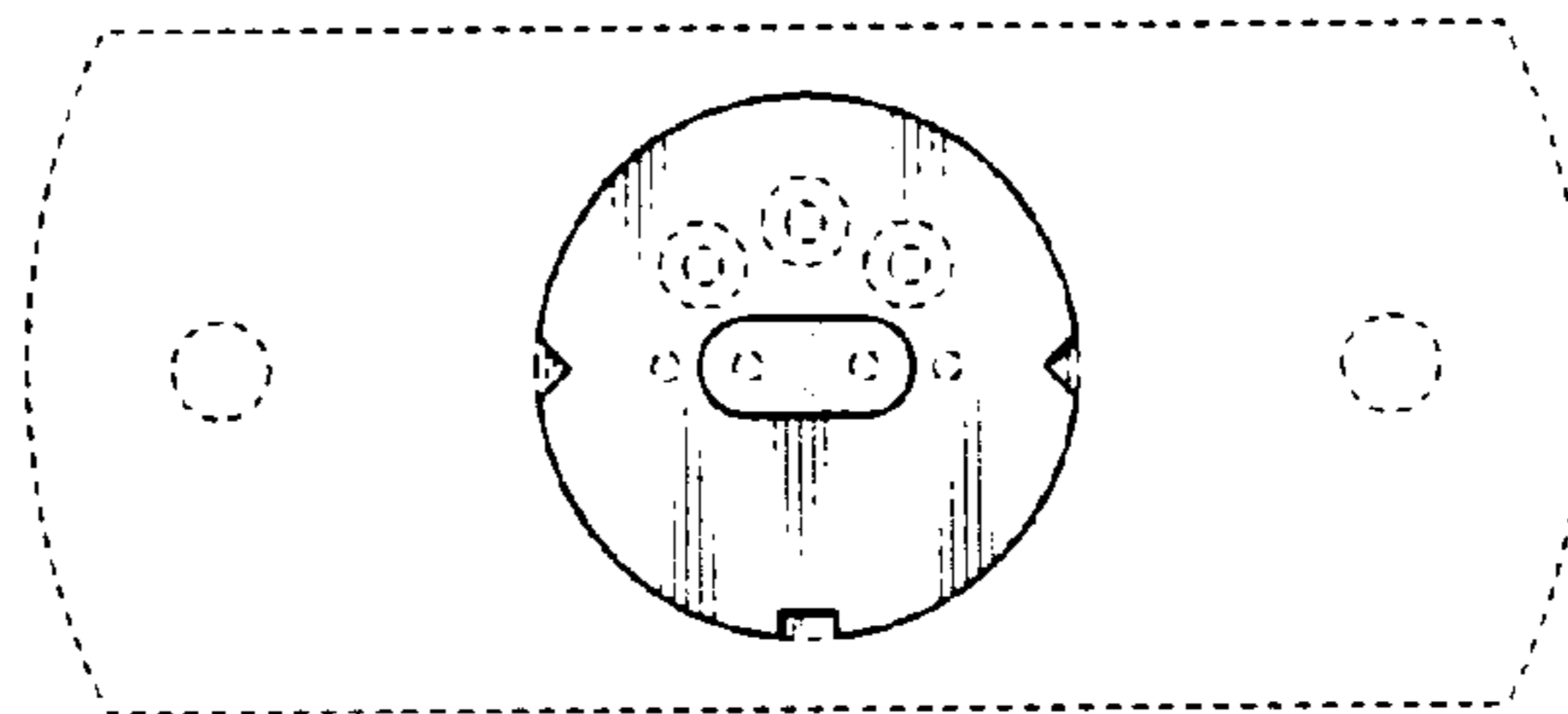


FIG. 3

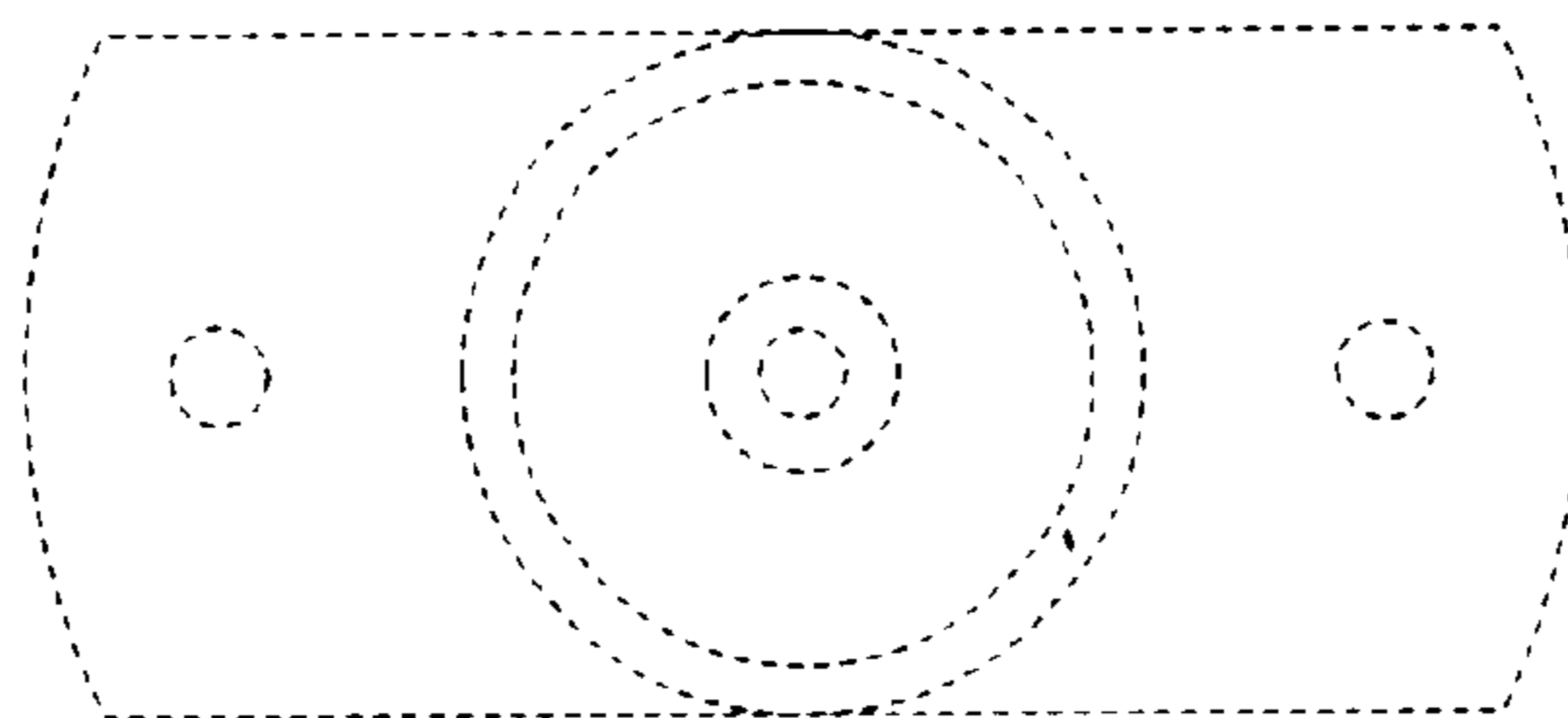


FIG. 4

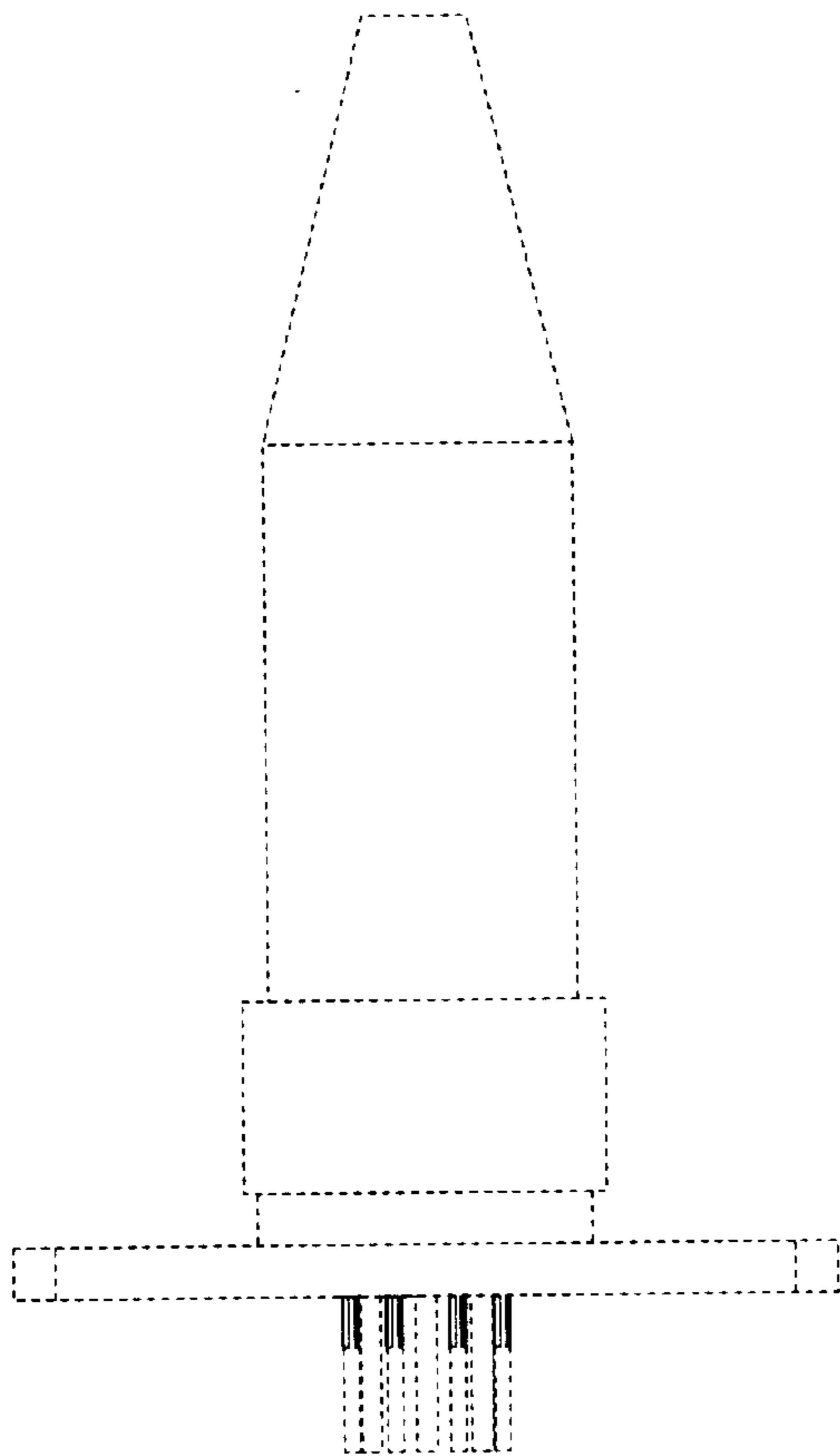


FIG. 5

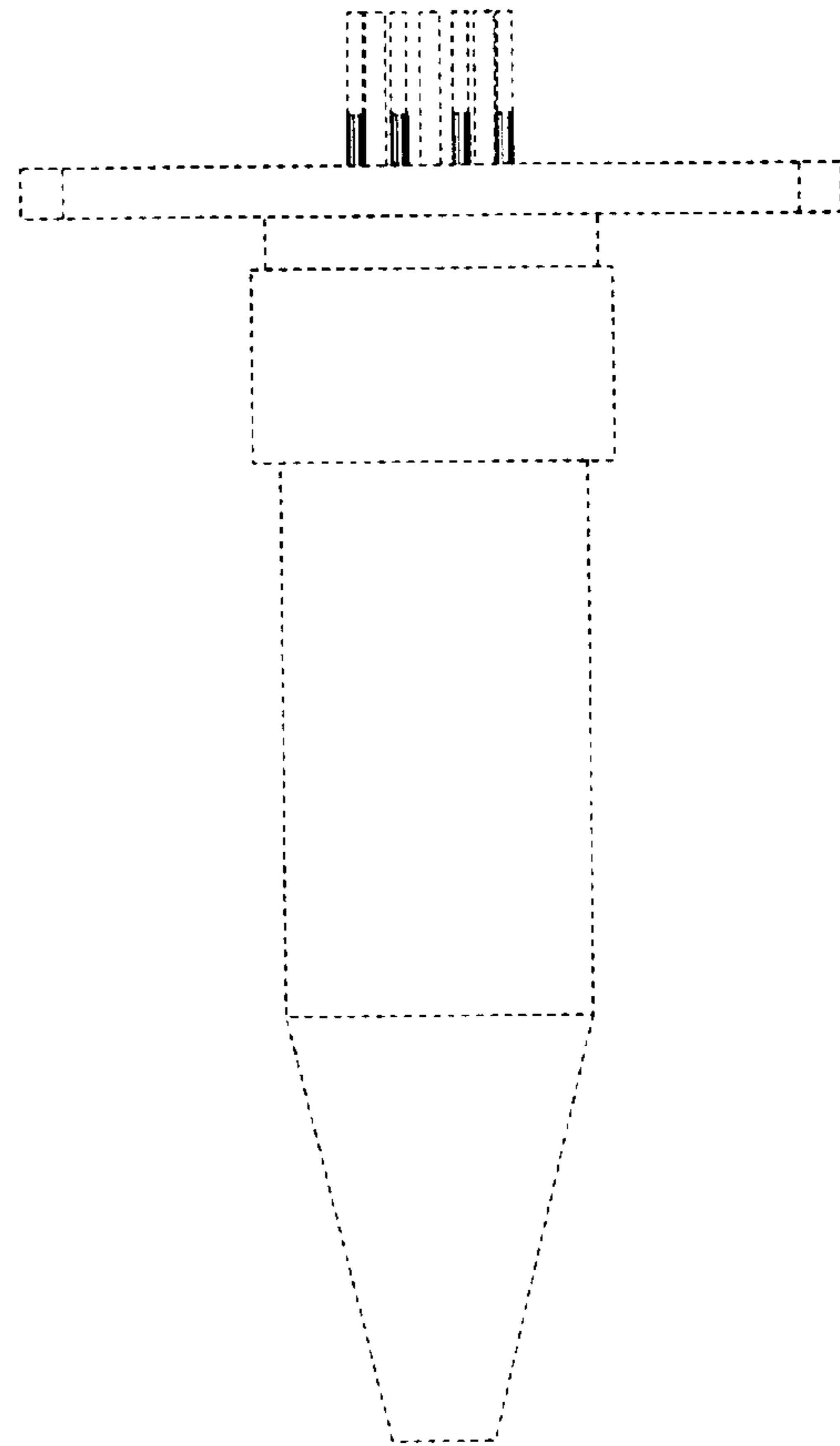


FIG. 6

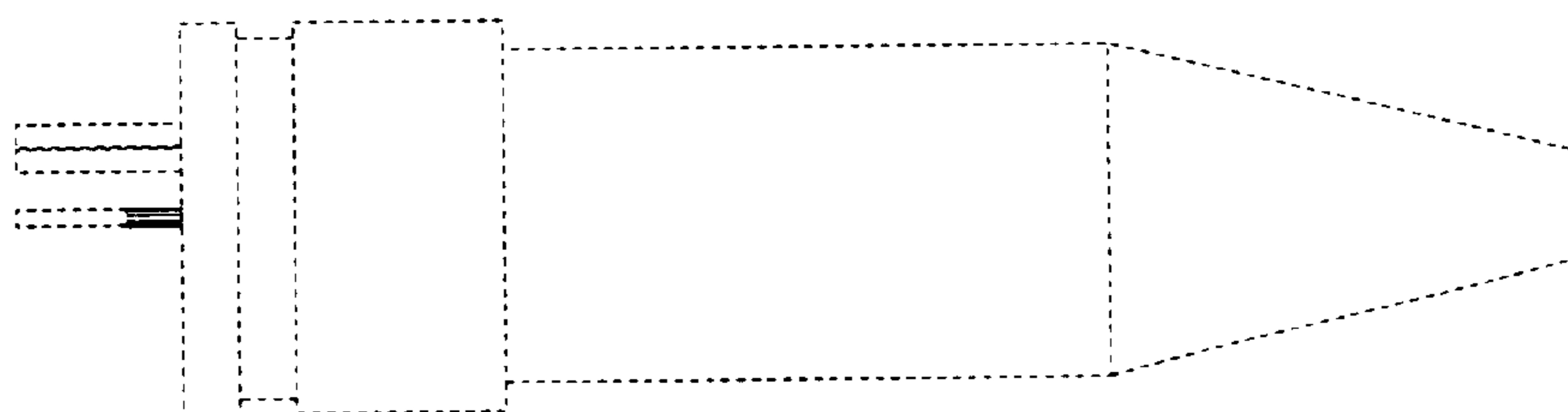


FIG. 7

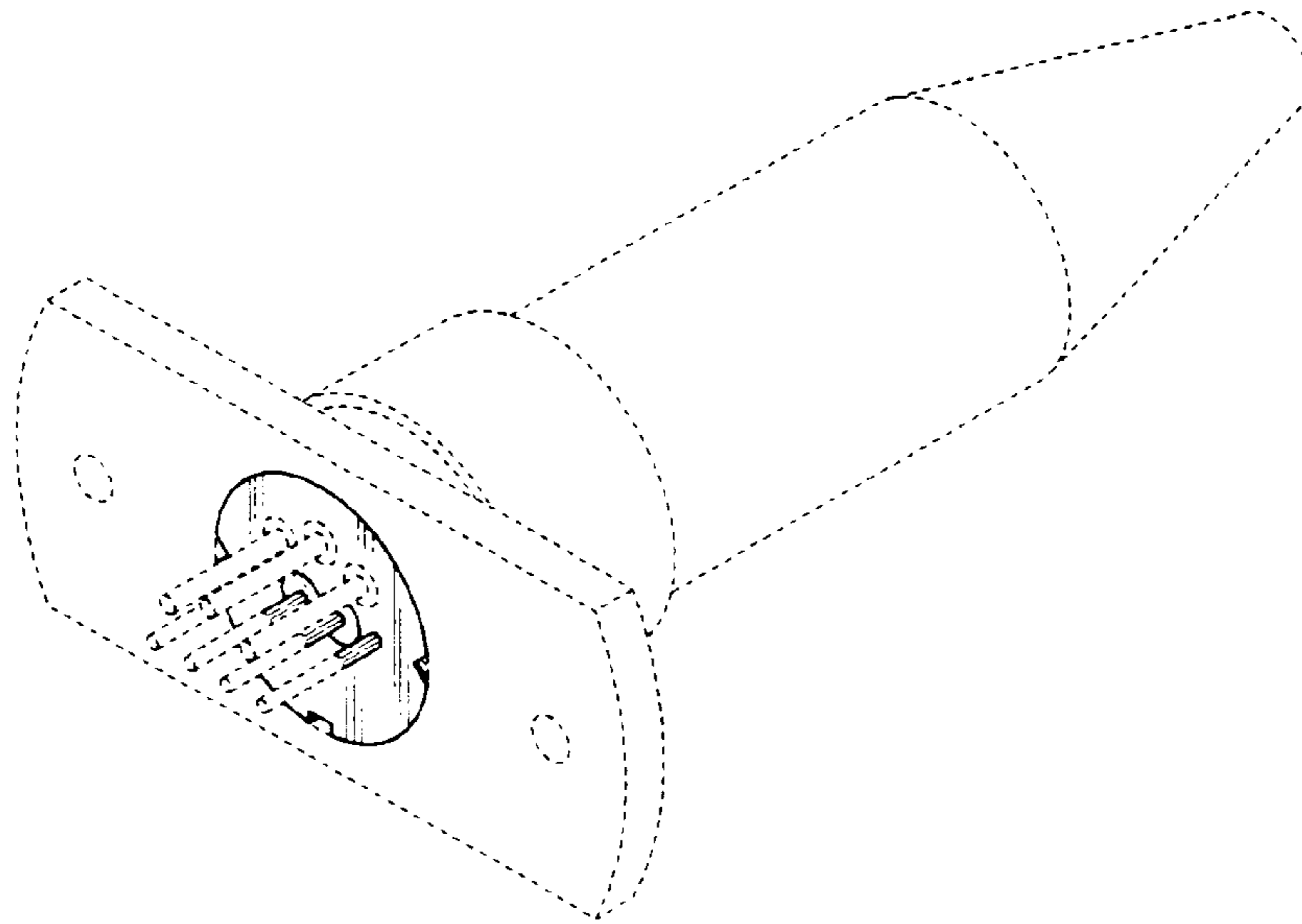


FIG. 8

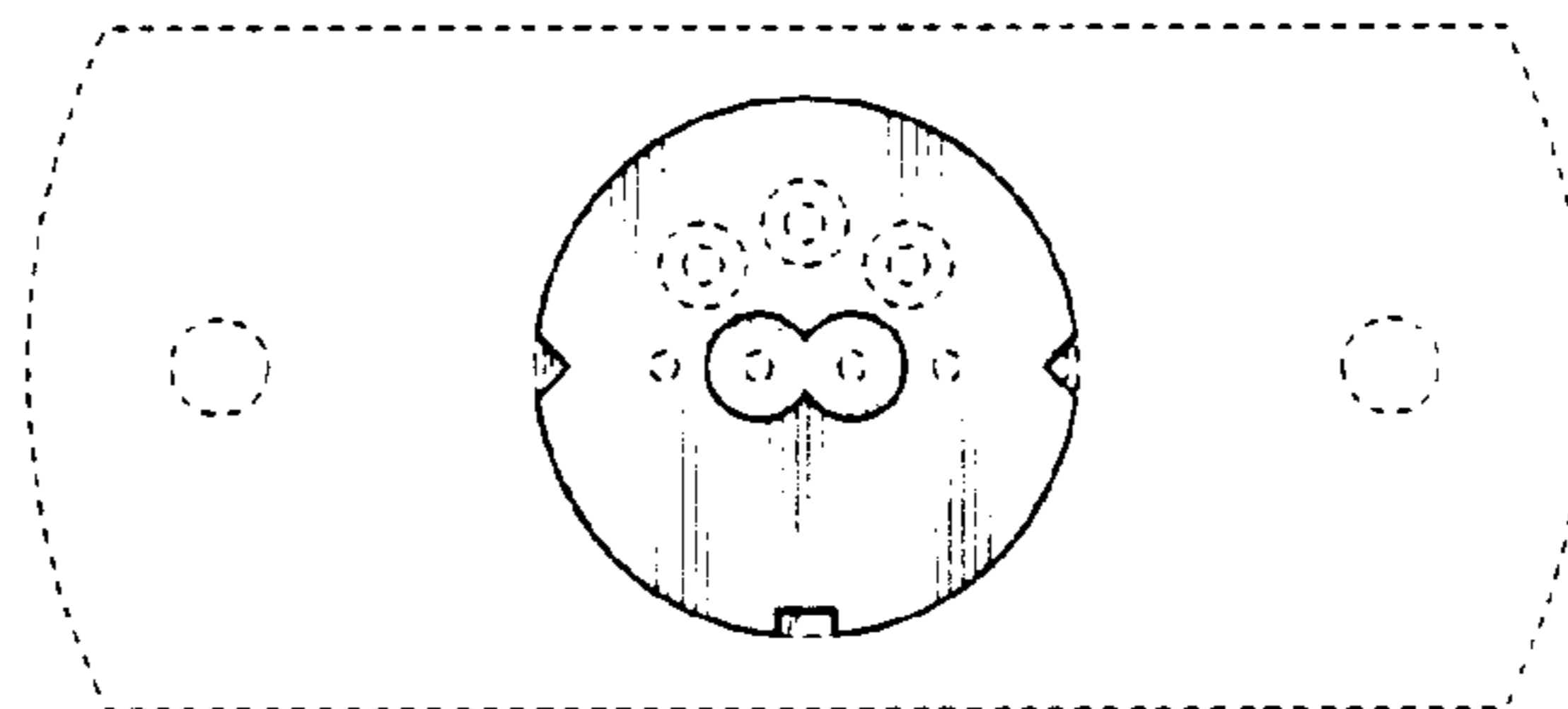


FIG. 9

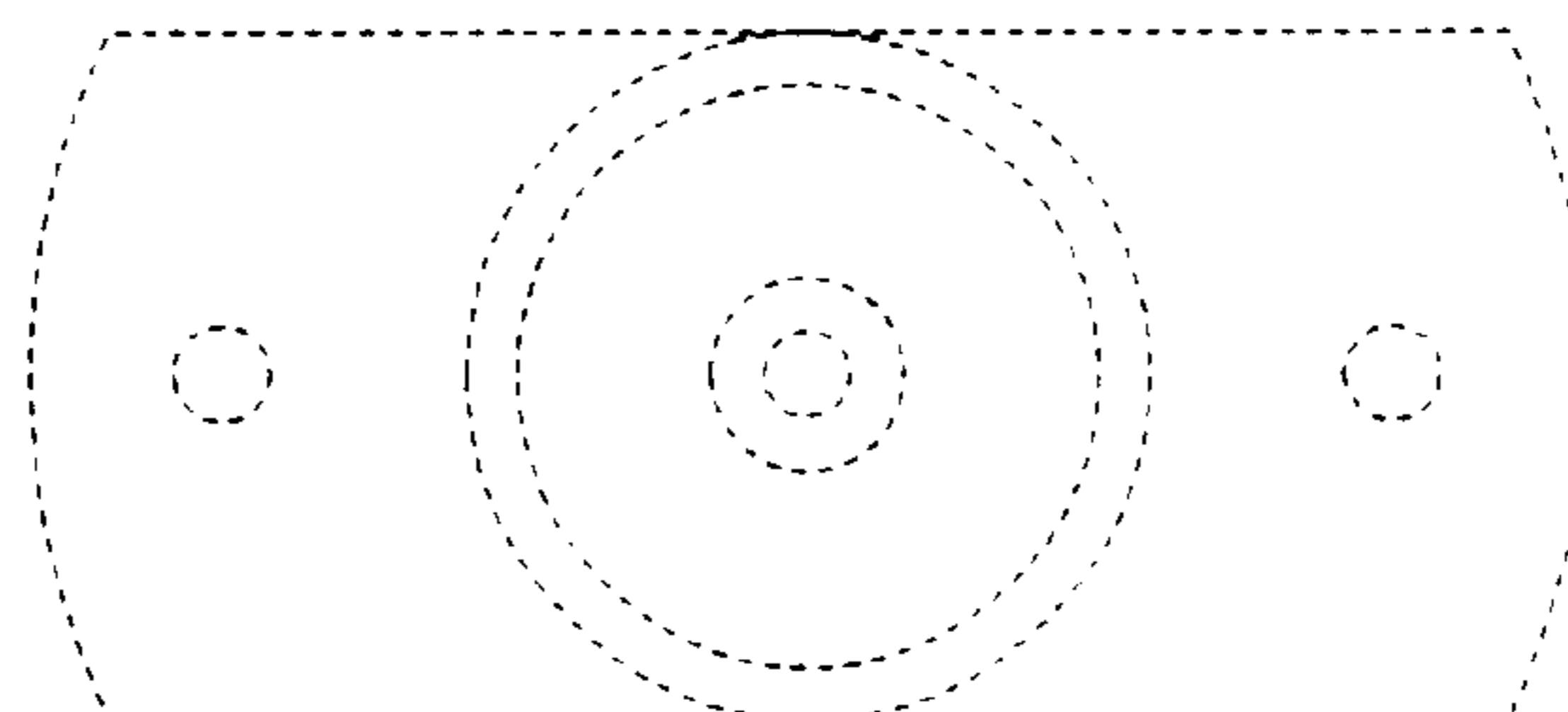


FIG. 10

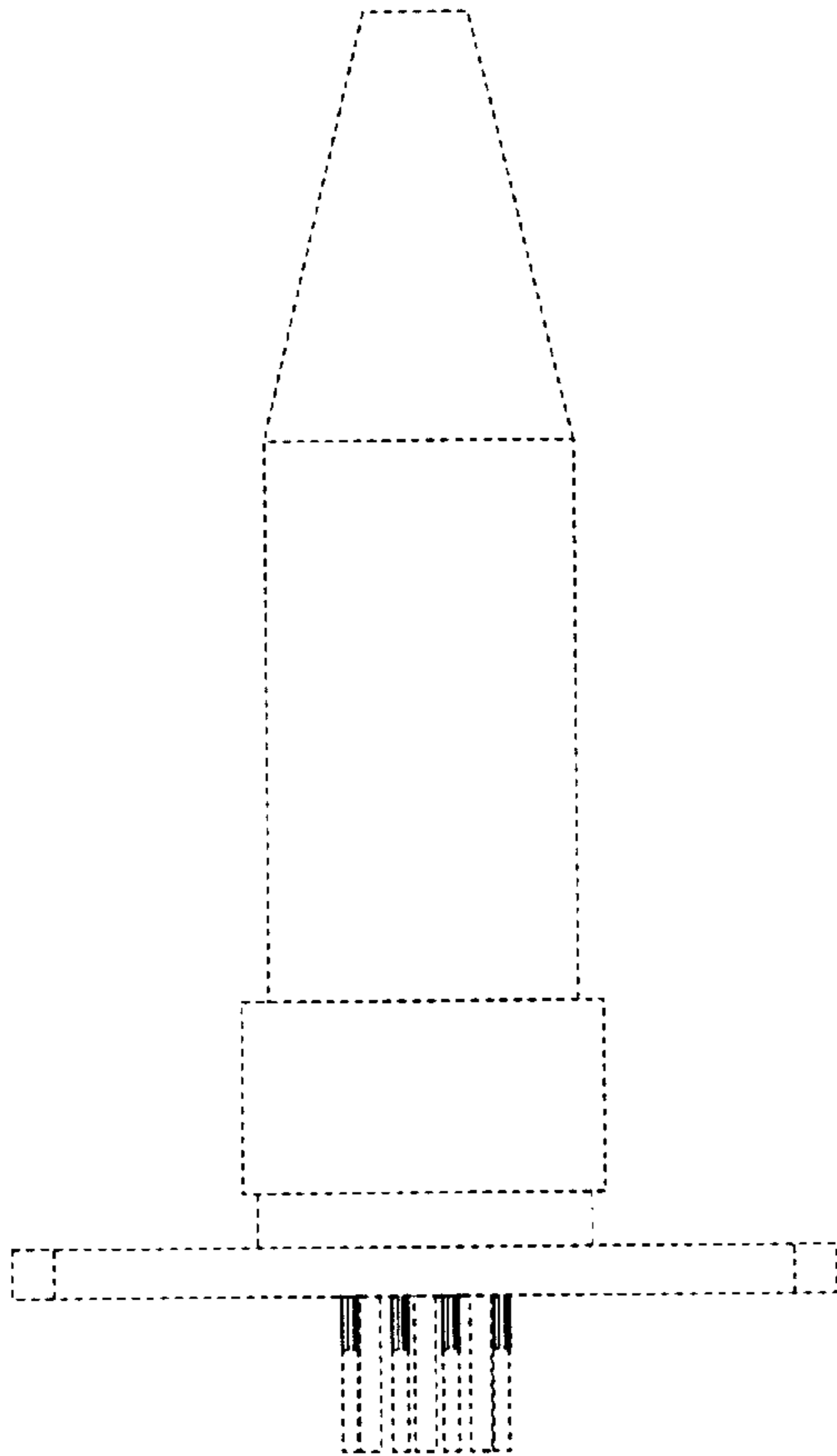


FIG. 11

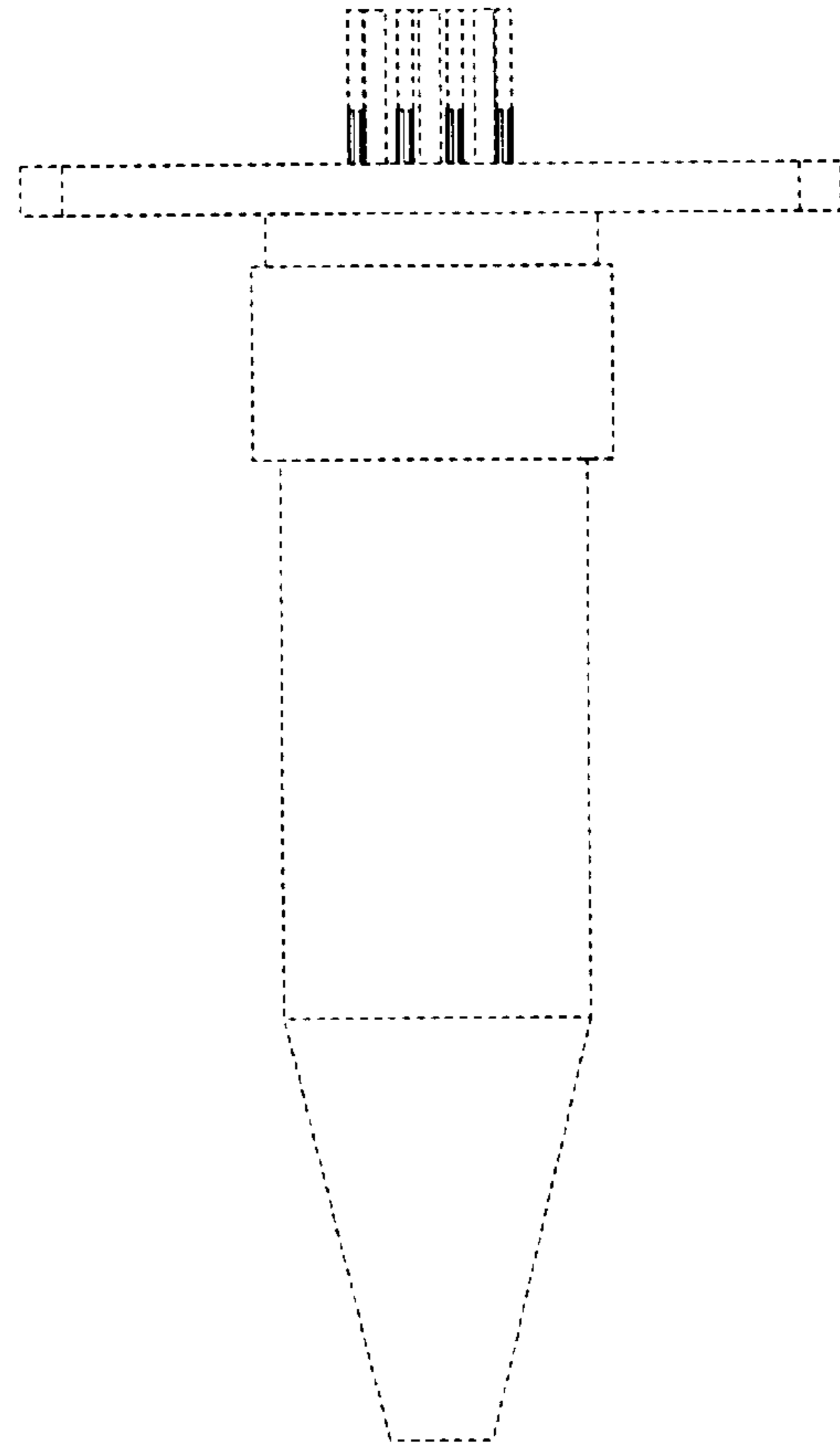


FIG. 12

