



US00D494146S1

(12) **United States Design Patent**  
**Lin**

(10) **Patent No.:** **US D494,146 S**

(45) **Date of Patent:** **\*\* Aug. 10, 2004**

(54) **SEAT OF HEATING RADIATOR**

(75) **Inventor:** **Chi-Hsu Lin, Kaohsiung (TW)**

(73) **Assignee:** **Datech Technology Co., Ltd., Taipei Hsien (TW)**

(\*\*) **Term:** **14 Years**

(21) **Appl. No.:** **29/187,148**

(22) **Filed:** **Jul. 29, 2003**

(51) **LOC (7) Cl.** ..... **13-03**

(52) **U.S. Cl.** ..... **D13/179**

(58) **Field of Search** ..... D13/179; D14/432;  
D23/386, 499; 165/185, 80.3; 257/717;  
361/687-688, 690-693, 695-697, 701-703,  
707-709; 174/16.3

(56) **References Cited**

**U.S. PATENT DOCUMENTS**

5,484,013 A \* 1/1996 Morikawa et al. .... 165/185  
5,582,506 A \* 12/1996 Hong ..... 165/80.3  
6,199,624 B1 \* 3/2001 Wotring ..... 165/80.3

6,587,341 B1 \* 7/2003 Wei ..... 361/695  
D478,875 S \* 8/2003 Lee ..... D13/179  
6,625,021 B1 \* 9/2003 Lofland et al. .... 361/697  
6,672,374 B1 \* 1/2004 Lin ..... 165/80.3

\* cited by examiner

*Primary Examiner*—Robert A. Delehanty

(74) *Attorney, Agent, or Firm*—Troxell Law Office PLLC

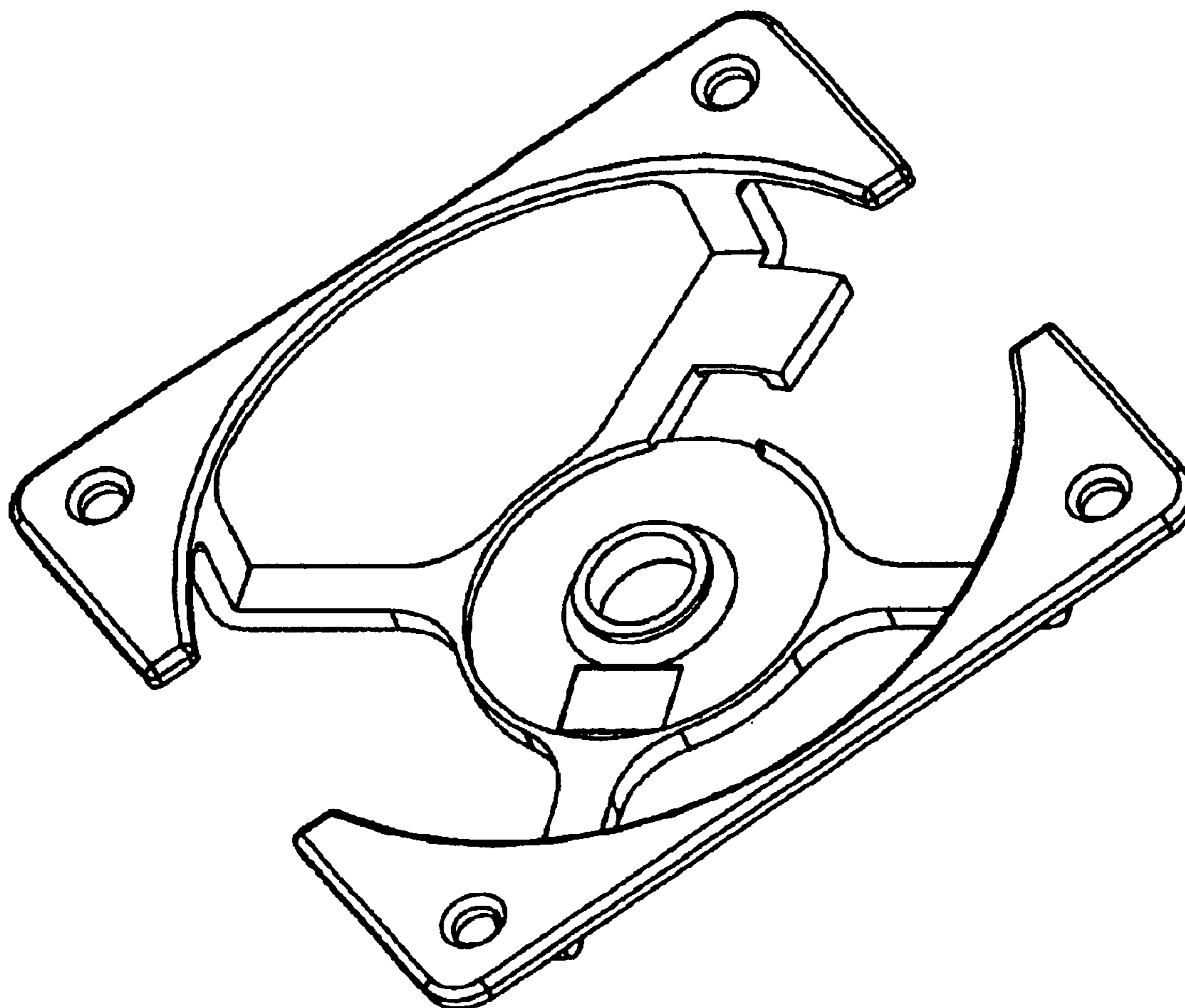
(57) **CLAIM**

The ornamental design for seat of heating radiator, as shown and described.

**DESCRIPTION**

FIG. 1 is a perspective view of a seat of a heating radiator showing this new design;  
FIG. 2 is a right side elevational view thereof;  
FIG. 3 is a top plan view thereof;  
FIG. 4 is a front elevational view thereof;  
FIG. 5 is a bottom plan view thereof;  
FIG. 6 is a left side elevational view thereof; and,  
FIG. 7 is a rear elevational view thereof.

**1 Claim, 4 Drawing Sheets**



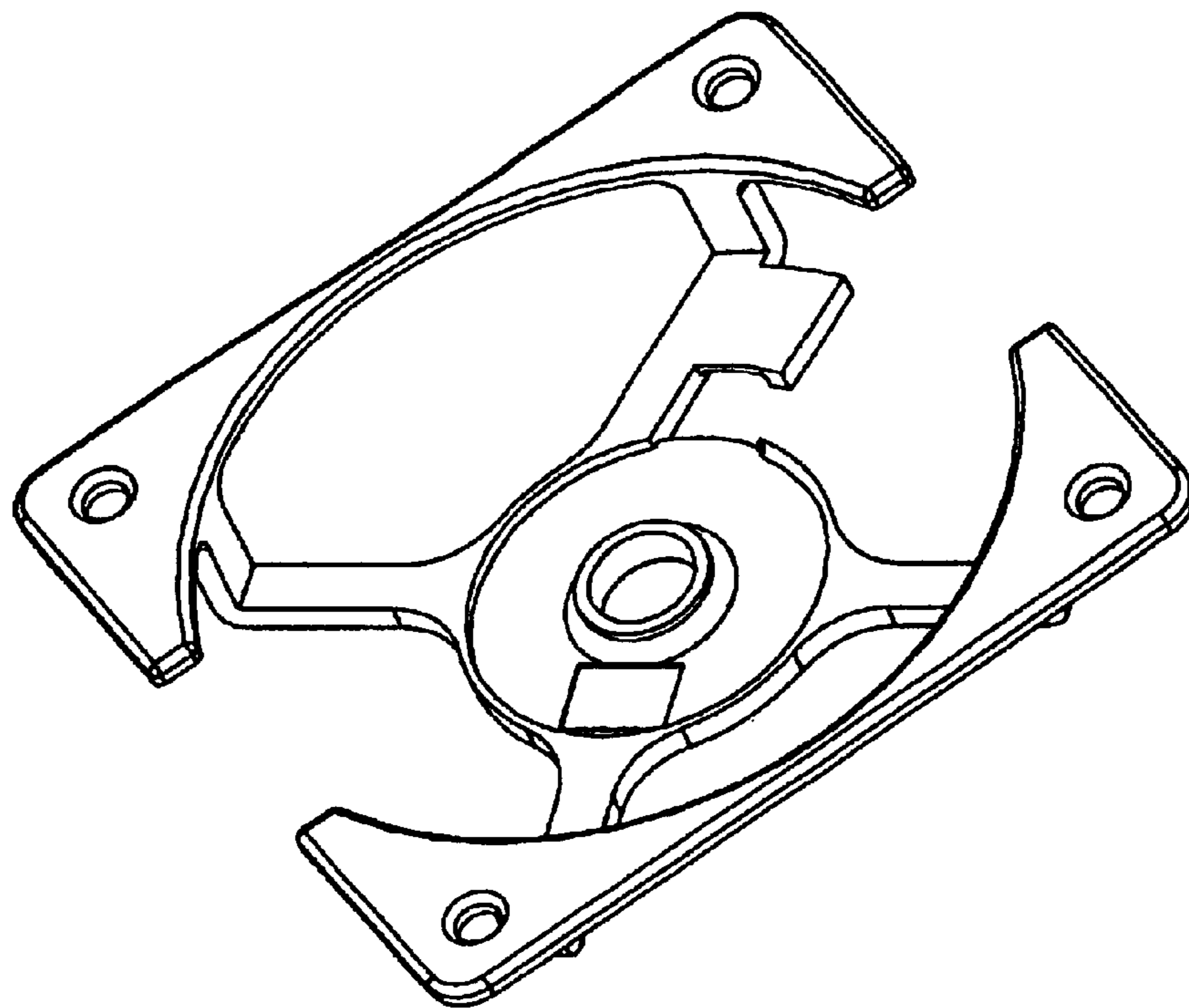


FIG. 1

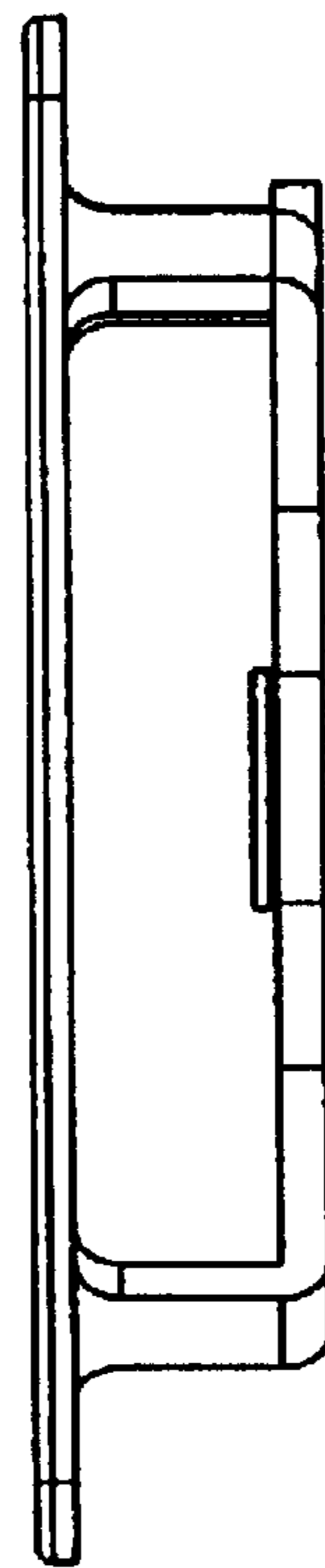


FIG. 2

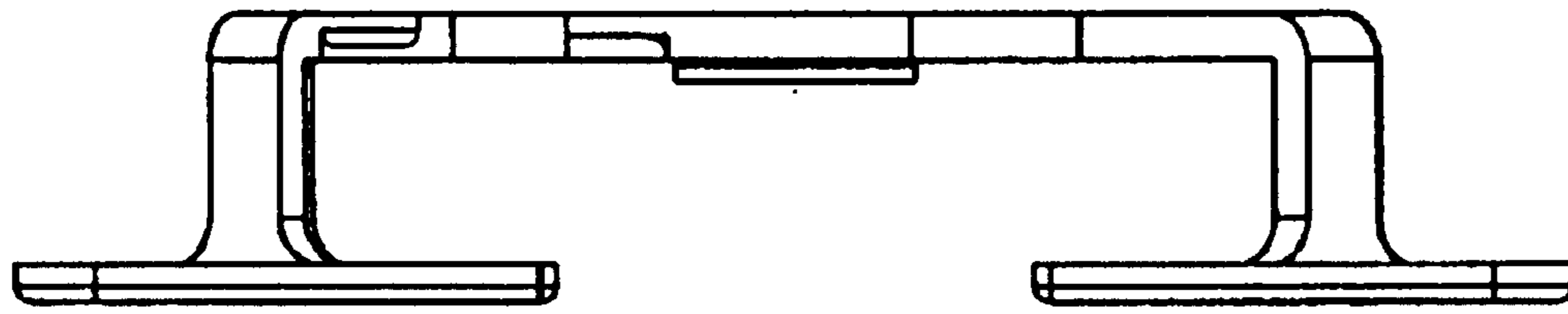


FIG. 3

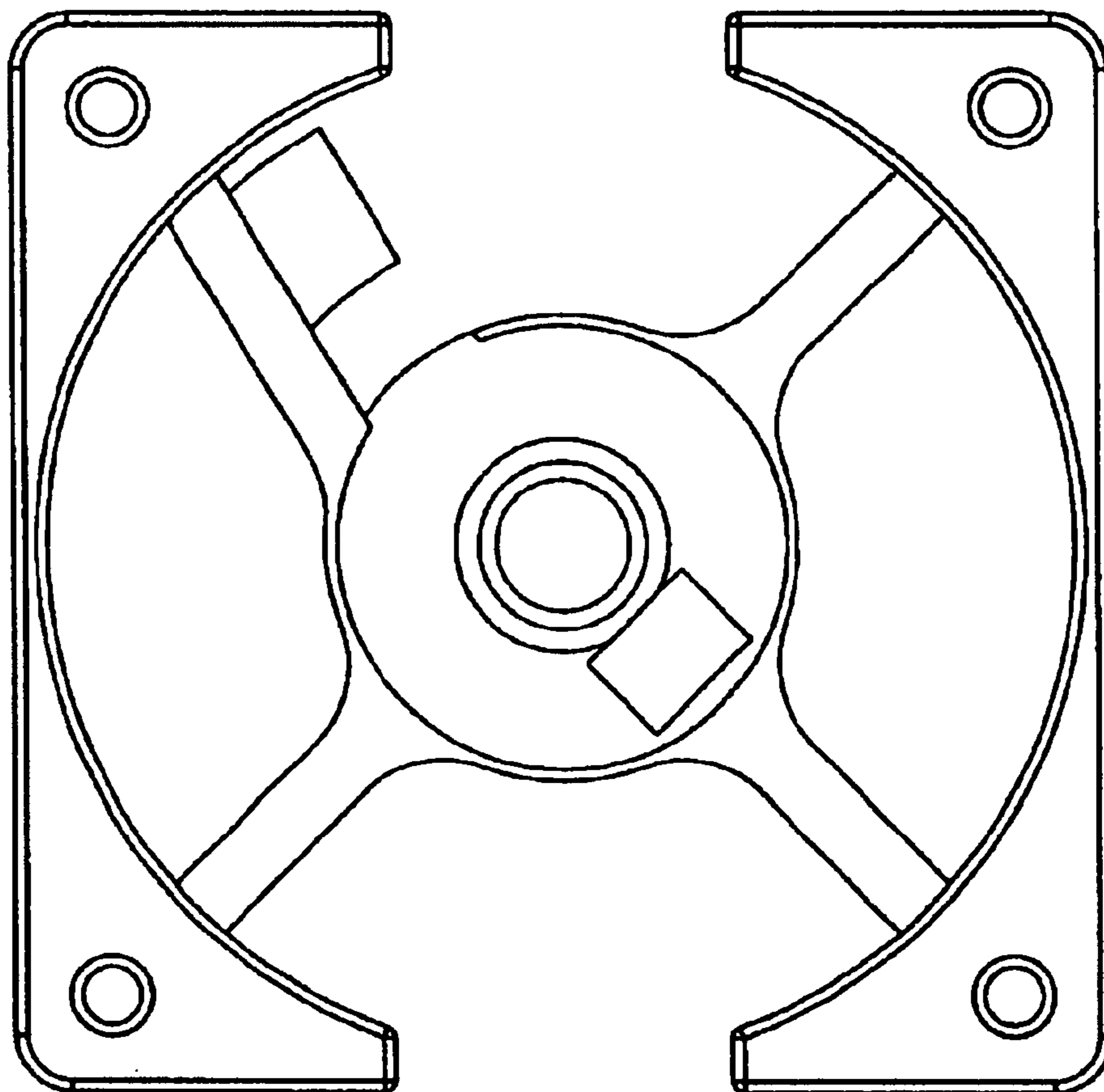


FIG. 4

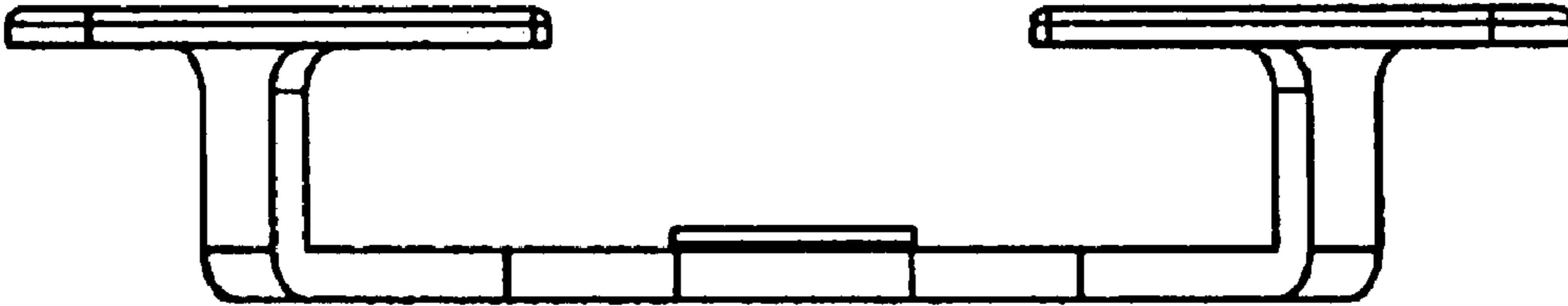


FIG. 5

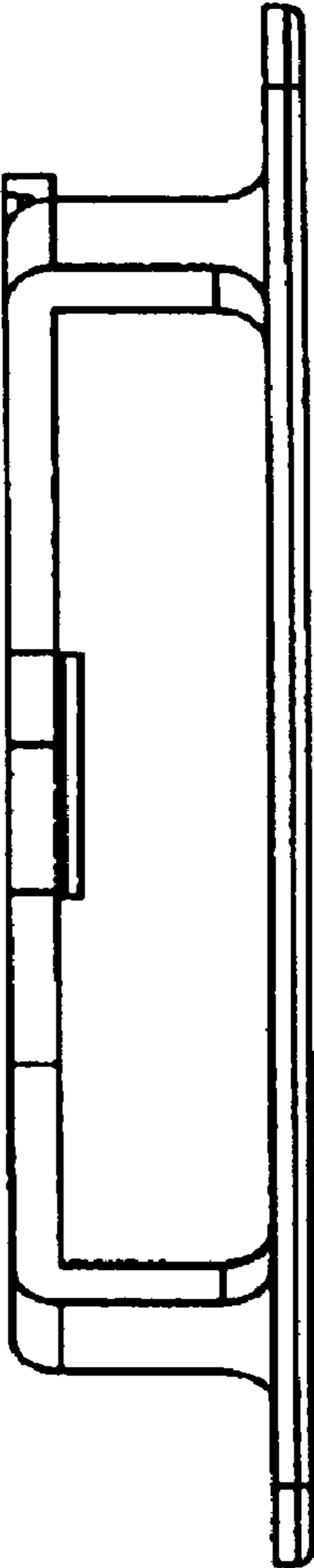


FIG. 6

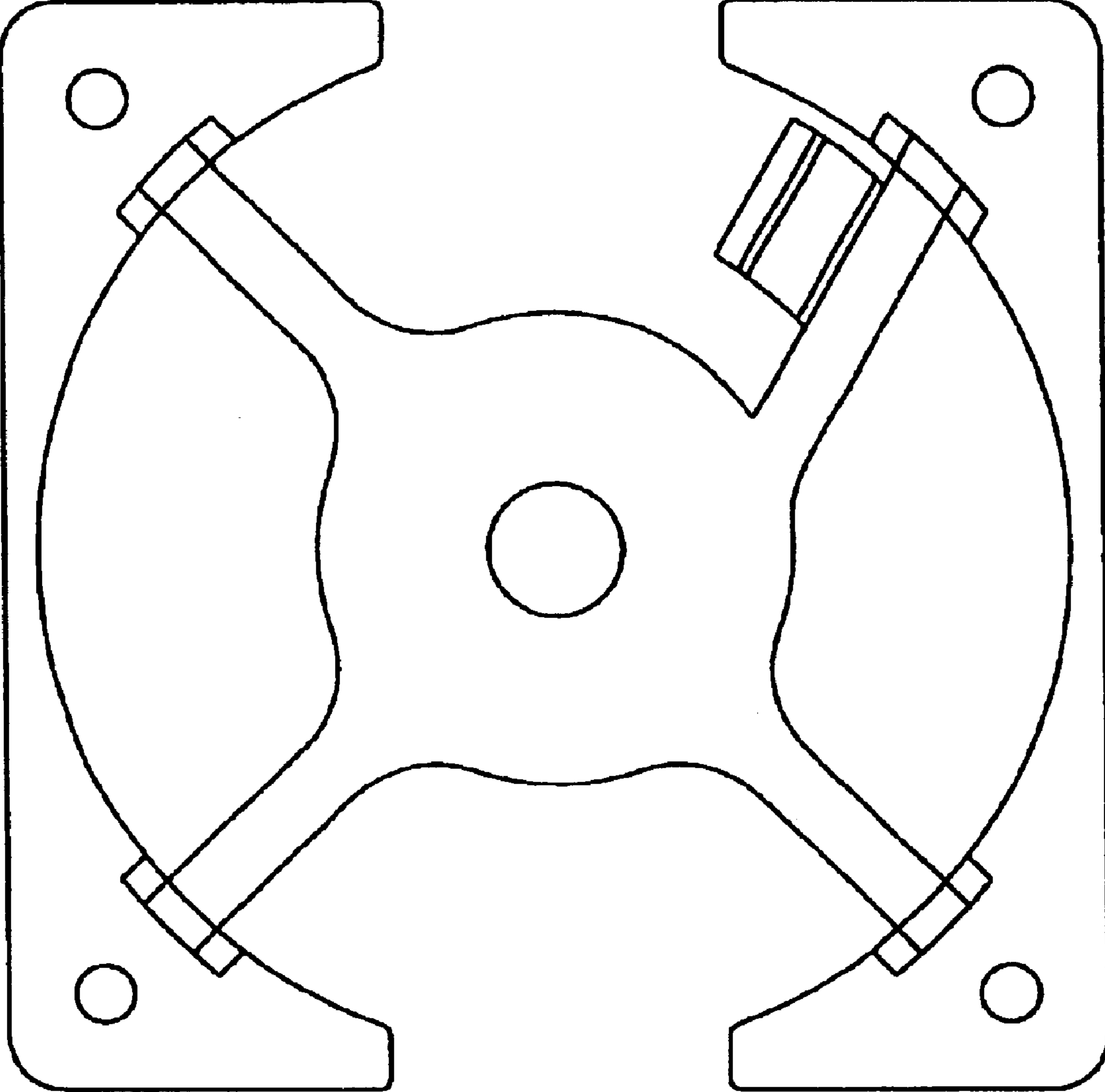


FIG. 7