



US00D494143S1

(12) **United States Design Patent** (10) **Patent No.:** **US D494,143 S**
Sato (45) **Date of Patent:** **** Aug. 10, 2004**

(54) **PHOTOELECTRIC SWITCH**

(75) Inventor: **Toshinori Sato**, Kyoto (JP)

(73) Assignee: **Omron Corporation**, Kyoto (JP)

(**) Term: **14 Years**

(21) Appl. No.: **29/174,321**

(22) Filed: **Jan. 16, 2003**

(30) **Foreign Application Priority Data**

Aug. 30, 2002 (JP) 2002-023447

(51) **LOC (7) Cl.** **13-03**

(52) **U.S. Cl.** **D13/165**

(58) **Field of Search** D13/156, 165,
D13/169, 171, 174; 256/261.1, 206, 221,
239, 222.1

(56) **References Cited**

U.S. PATENT DOCUMENTS

D313,397 S	*	1/1991	Willcox	D13/158
5,003,169 A	*	3/1991	Sakaguchi et al.	250/221
5,900,622 A	*	5/1999	Ogura et al.	250/208.1
D453,147 S	*	1/2002	Sato et al.	D13/165

* cited by examiner

Primary Examiner—Philip S. Hyder

Assistant Examiner—Selina Sikder

(74) *Attorney, Agent, or Firm*—Dickstein Shapiro Morin & Oshinsky LLP

(57) **CLAIM**

The ornamental design for a photoelectric switch, as shown and described.

DESCRIPTION

FIG. 1 is a front view showing my new design for a photoelectric switch;

FIG. 2 is a rear view of the photoelectric switch of FIG. 1; FIG. 3 is a top view of the photoelectric switch of FIG. 1, wherein the brackets labeled 8 and 9 refer to enlarged views of FIGS. 8 and 9, respectively;

FIG. 4 is a bottom view of the photoelectric switch of FIG. 1;

FIG. 5 is a left side view of the photoelectric switch of FIG. 1;

FIG. 6 is a right side view of the photoelectric switch of FIG. 1;

FIG. 7 is a perspective view of the photoelectric switch of FIG. 1;

FIG. 8 is an enlarged plan view of the portion of the photoelectric switch in the bracket labeled 8 of FIG. 3;

FIG. 9 is an enlarged plan view of the portion of the photoelectric switch in the bracket labeled 9 of FIG. 3;

FIG. 10 is a perspective view of the portion of the photoelectric switch in the box labeled 8 of FIG. 3;

FIG. 11 is a perspective view of the portion of the photoelectric switch in the box labeled 9 of FIG. 3;

FIG. 12 is a front view of the photoelectric switch of FIG. 1 with the cover closed;

FIG. 13 is a rear view of the photoelectric switch of FIG. 1 with the cover closed;

FIG. 14 is a top view of the photoelectric switch of FIG. 1 with the cover closed;

FIG. 15 is a bottom view of the photoelectric switch of FIG. 1 with the cover closed;

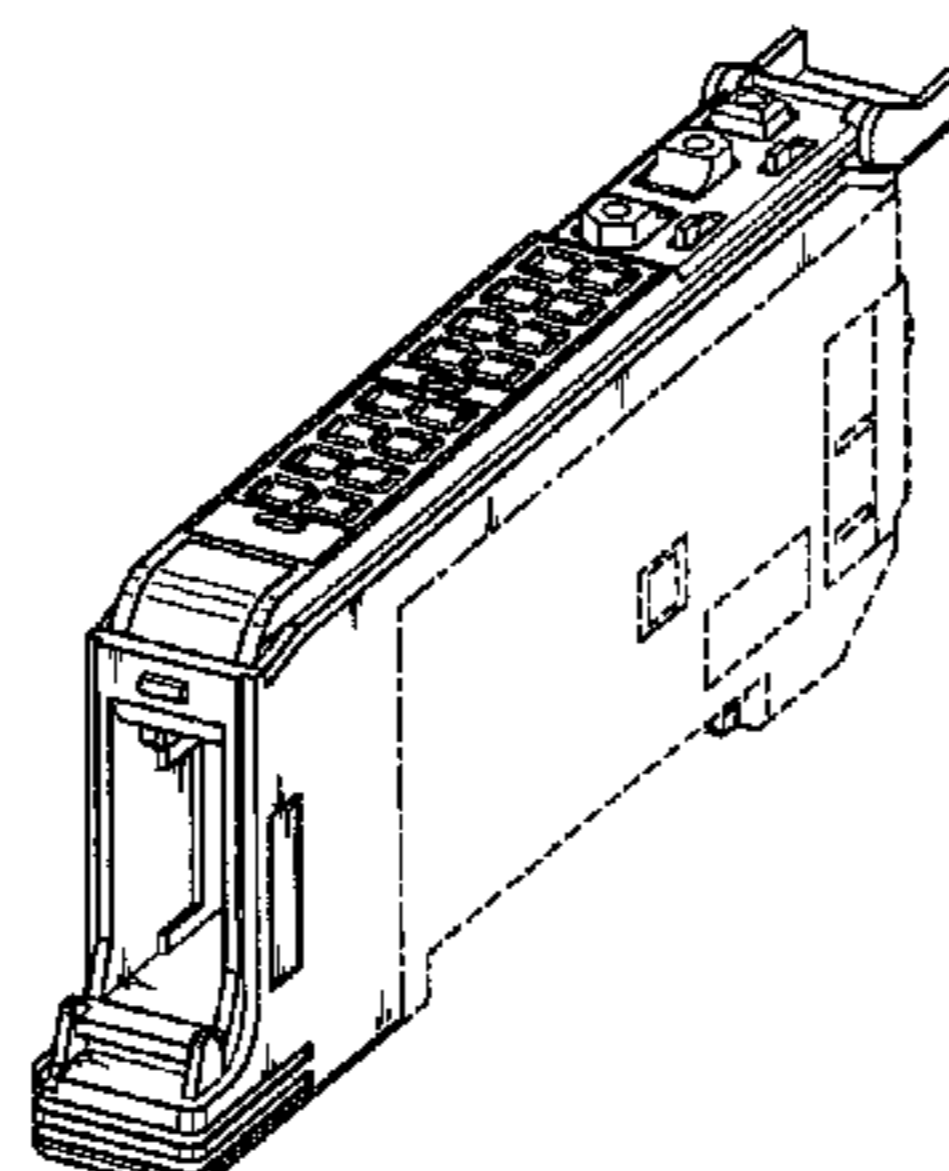
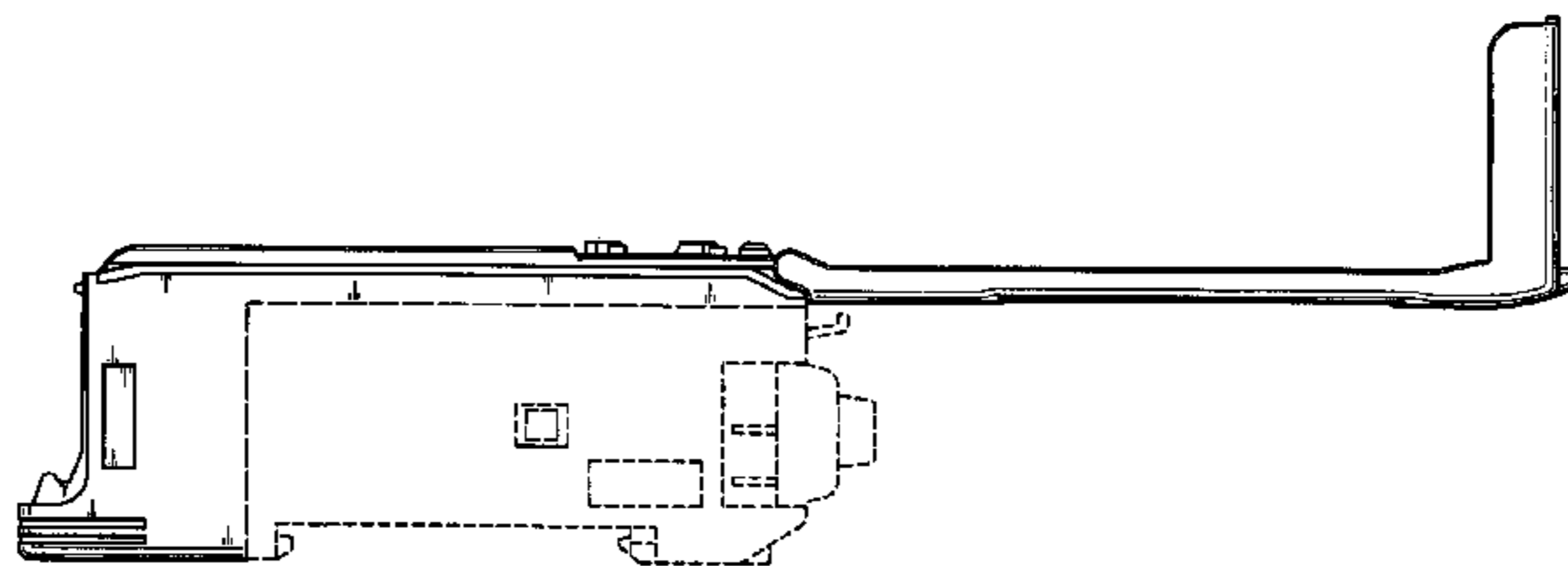
FIG. 16 is a right side view of the photoelectric switch of FIG. 1 with the cover closed;

FIG. 17 is a left side view of the photoelectric switch of FIG. 1 with the cover closed; and,

FIG. 18 is a perspective view of the photoelectric switch of FIG. 1 with the cover closed.

The broken lines represent environmental structure which is not a part of the claimed design.

1 Claim, 10 Drawing Sheets



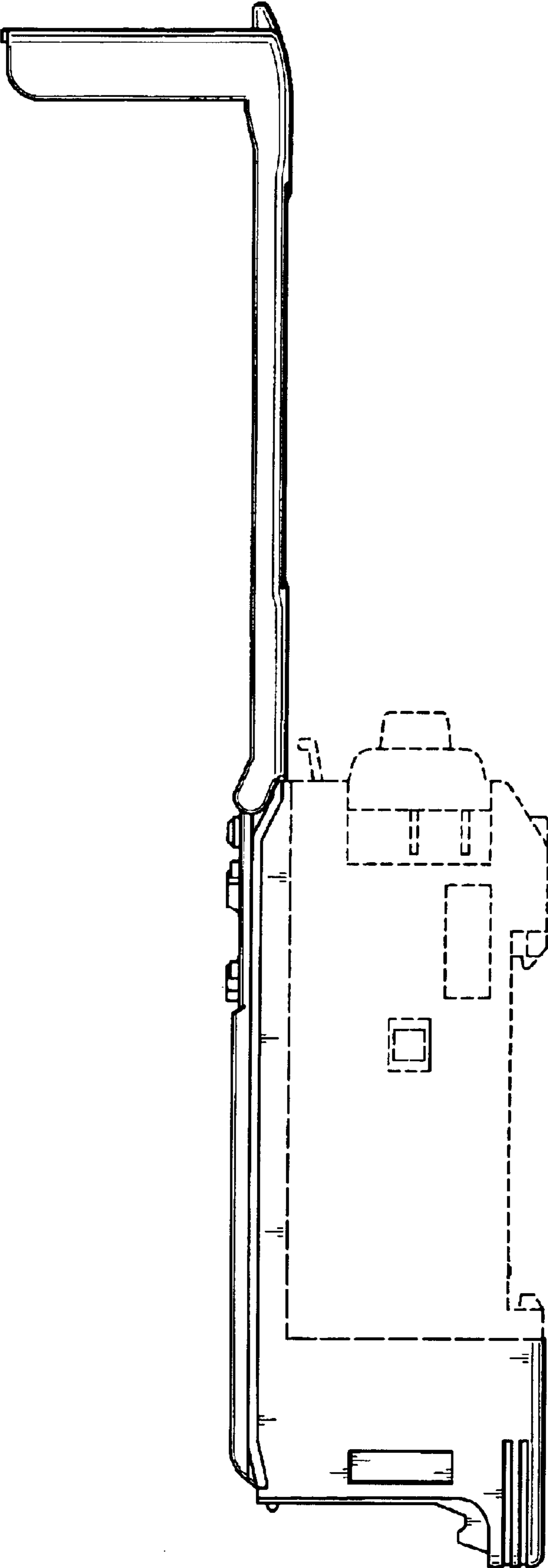


Fig. 1

Fig. 2

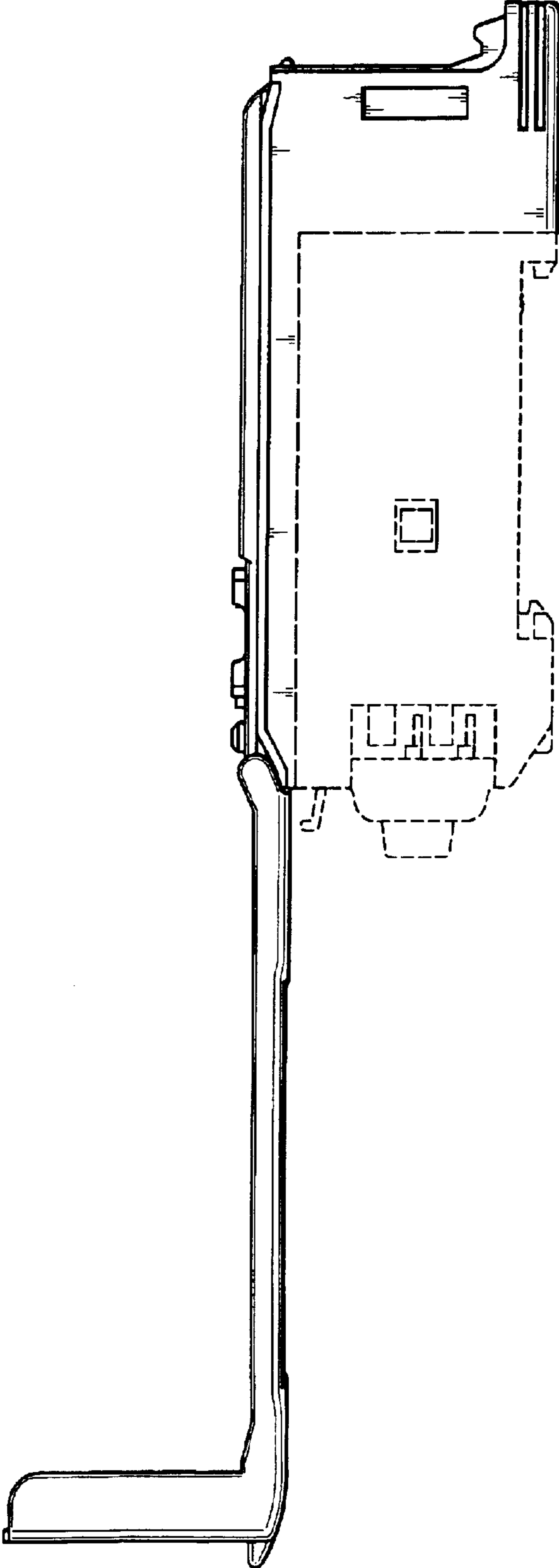


Fig. 3

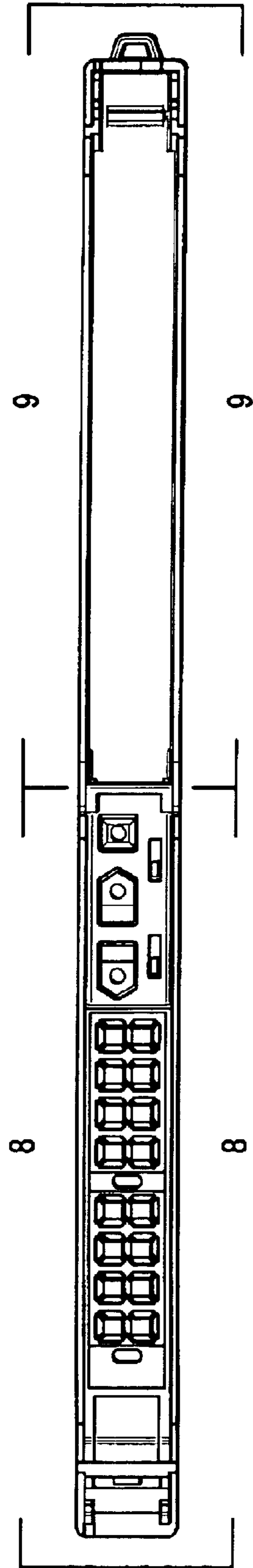
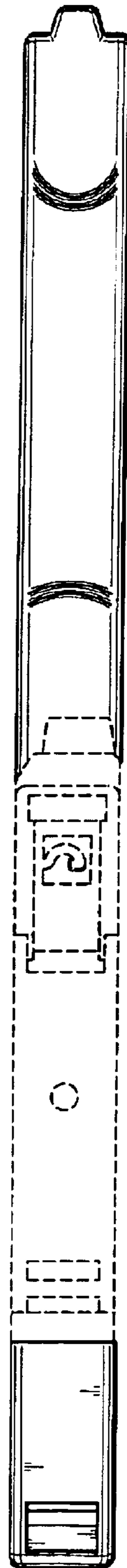


Fig. 4



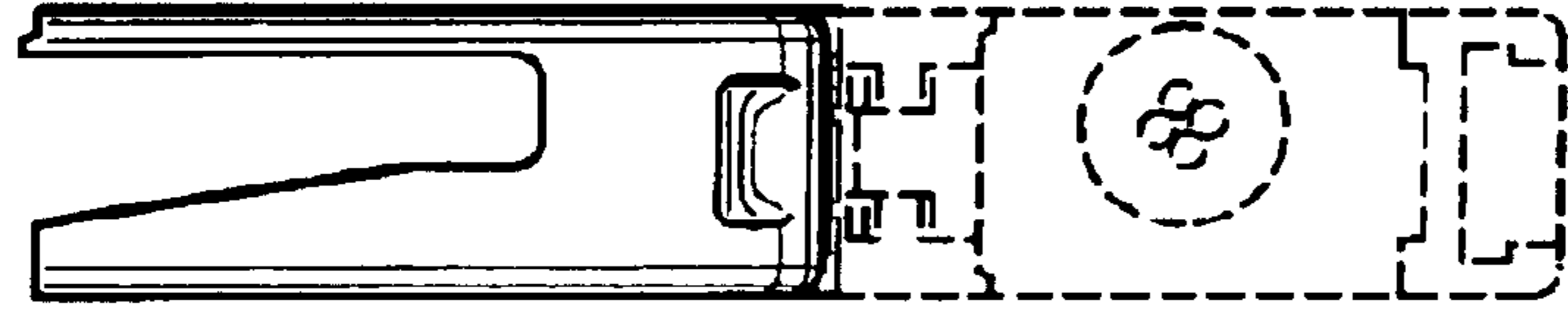


Fig. 6

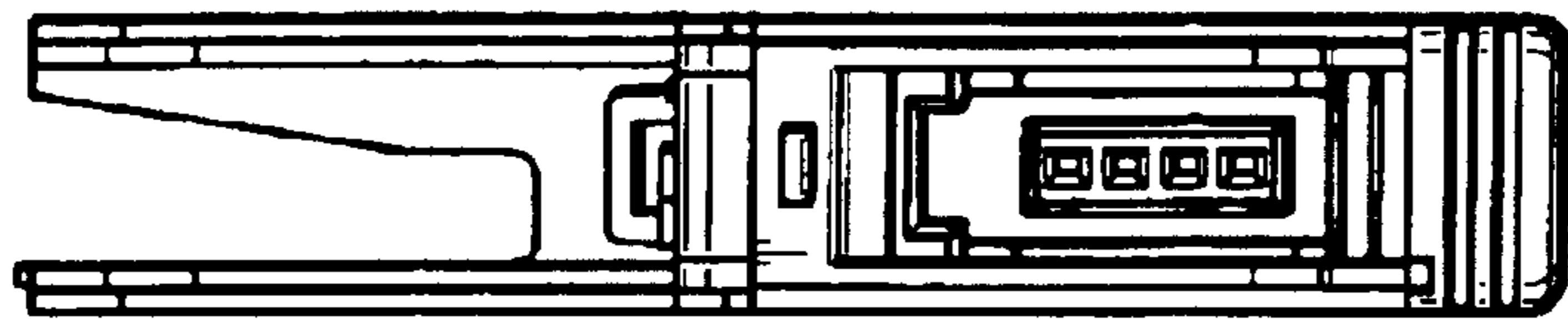
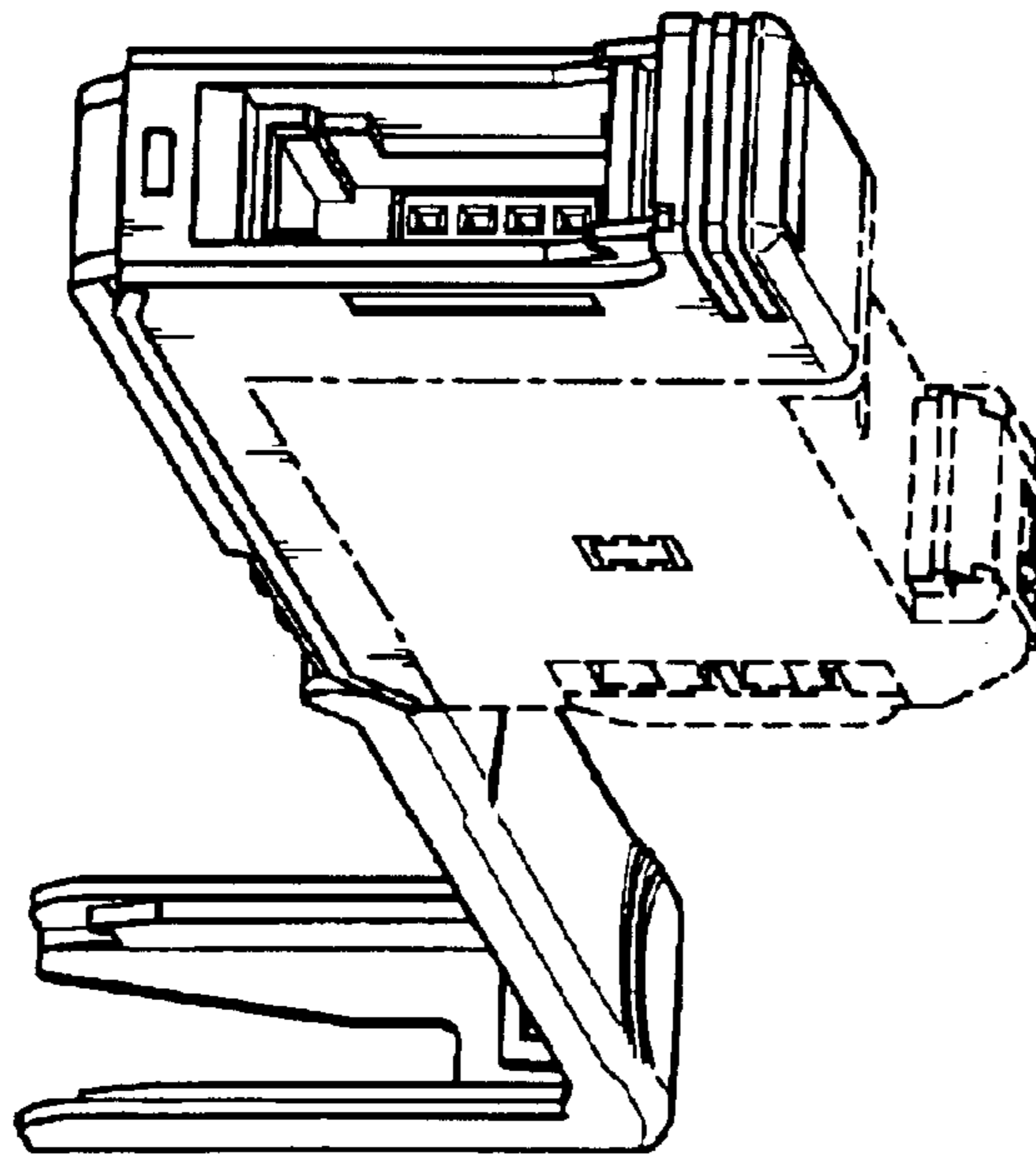


Fig. 5

Fig. 7



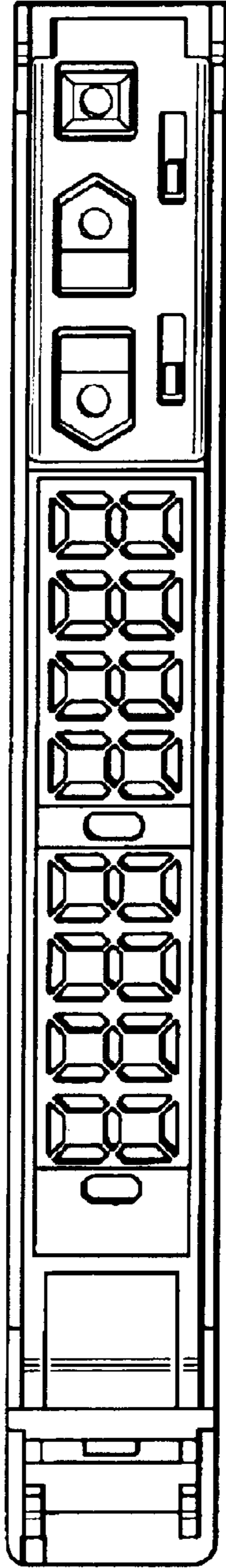


Fig. 8

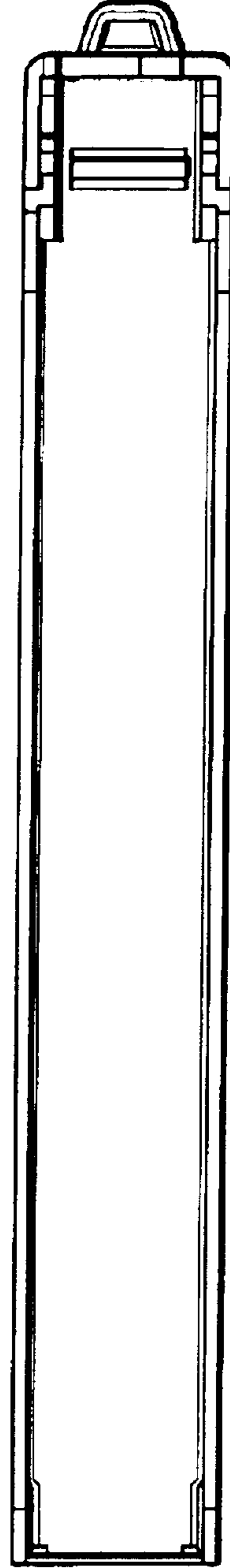


Fig. 9

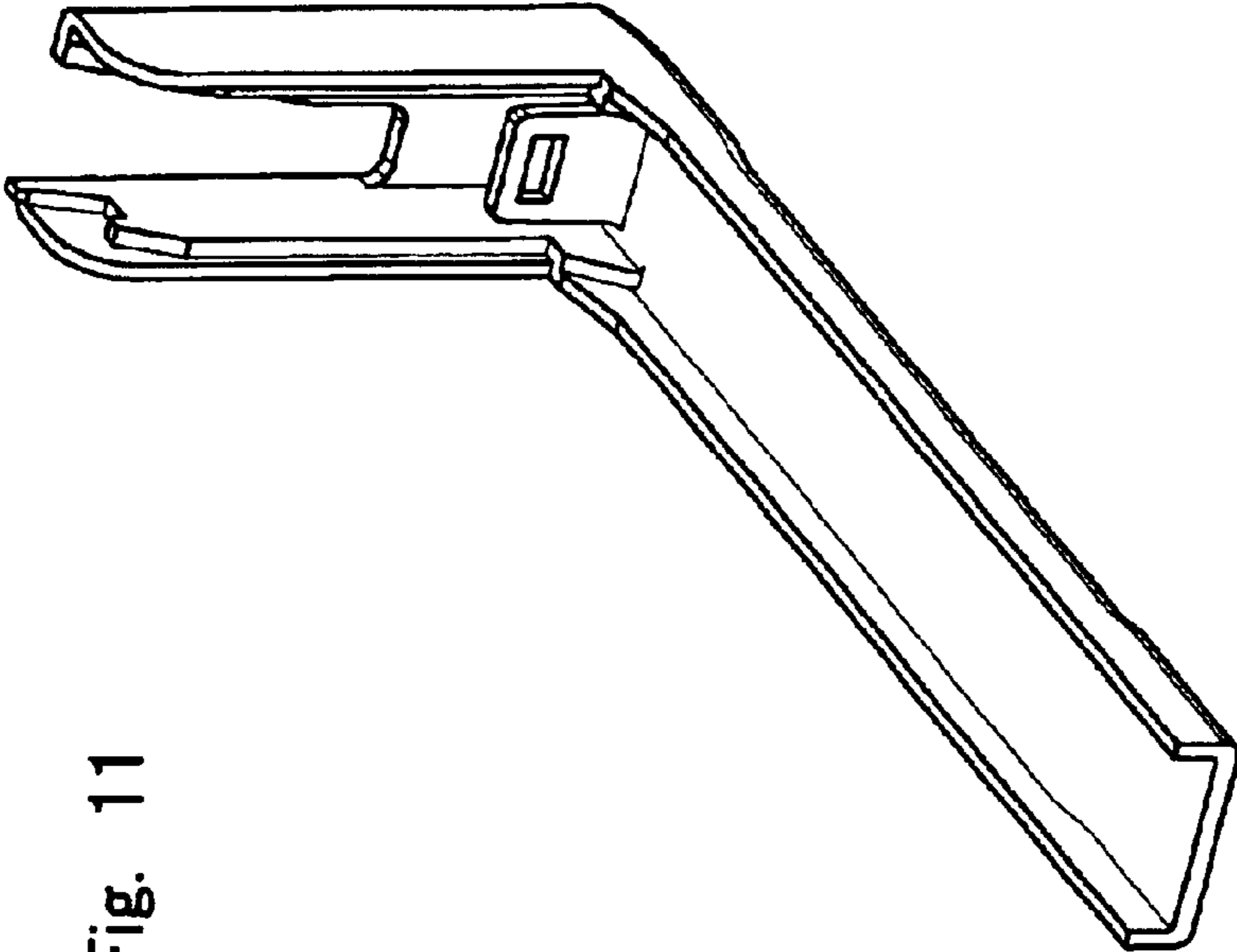


Fig. 11

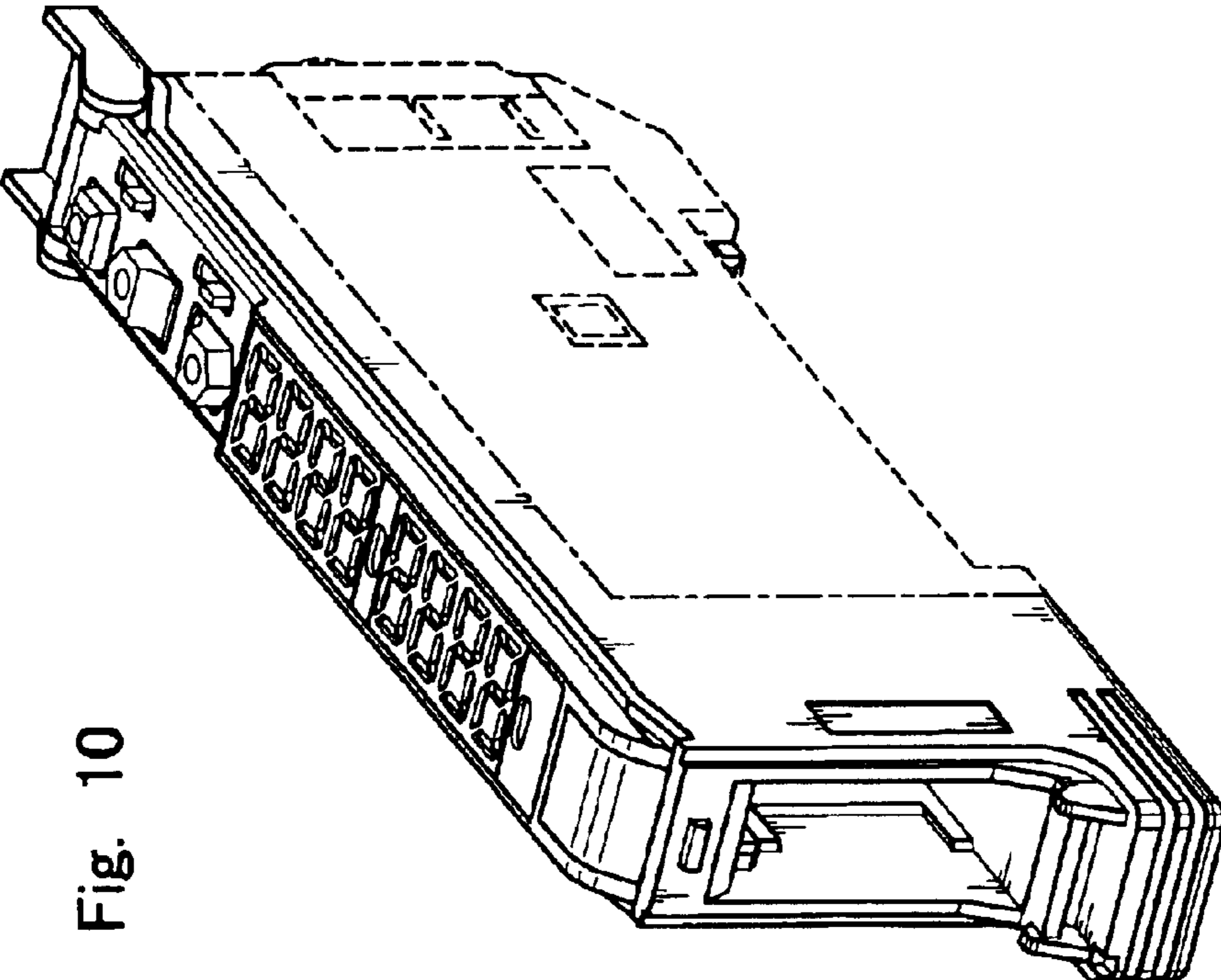


Fig. 10

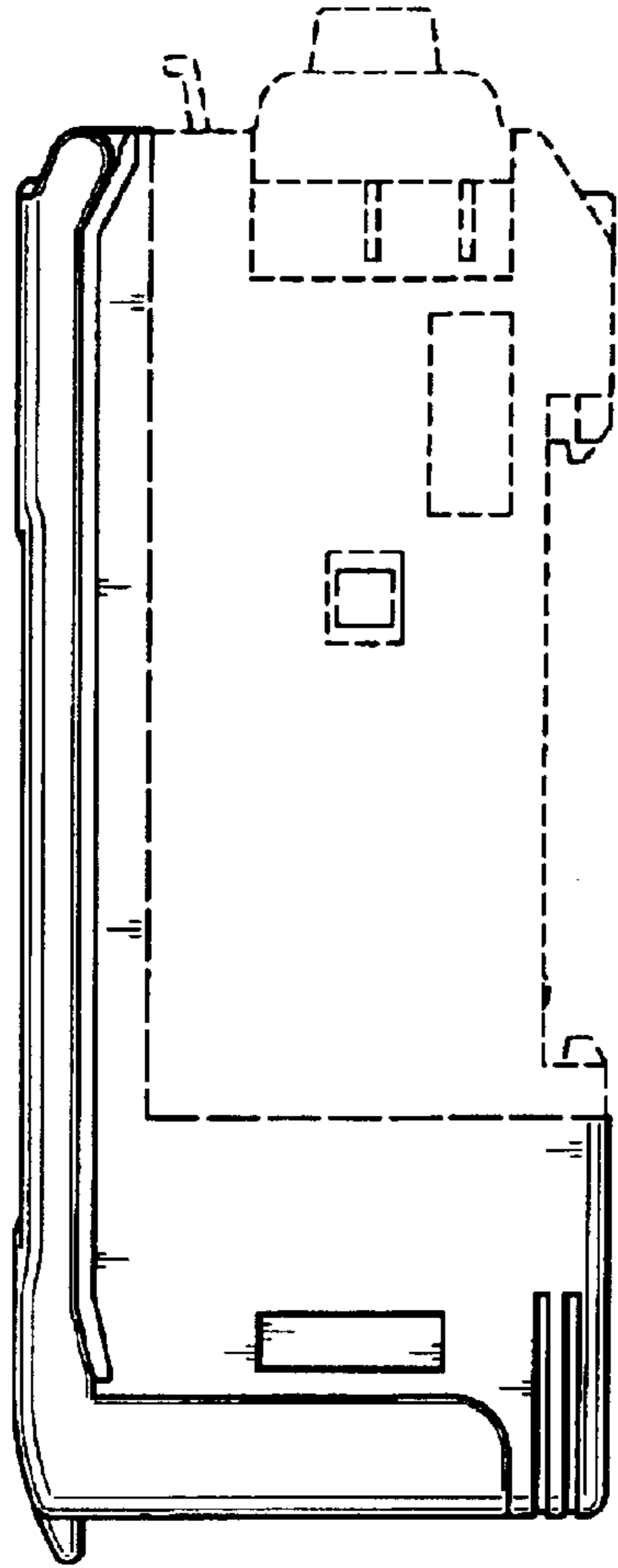


Fig. 12

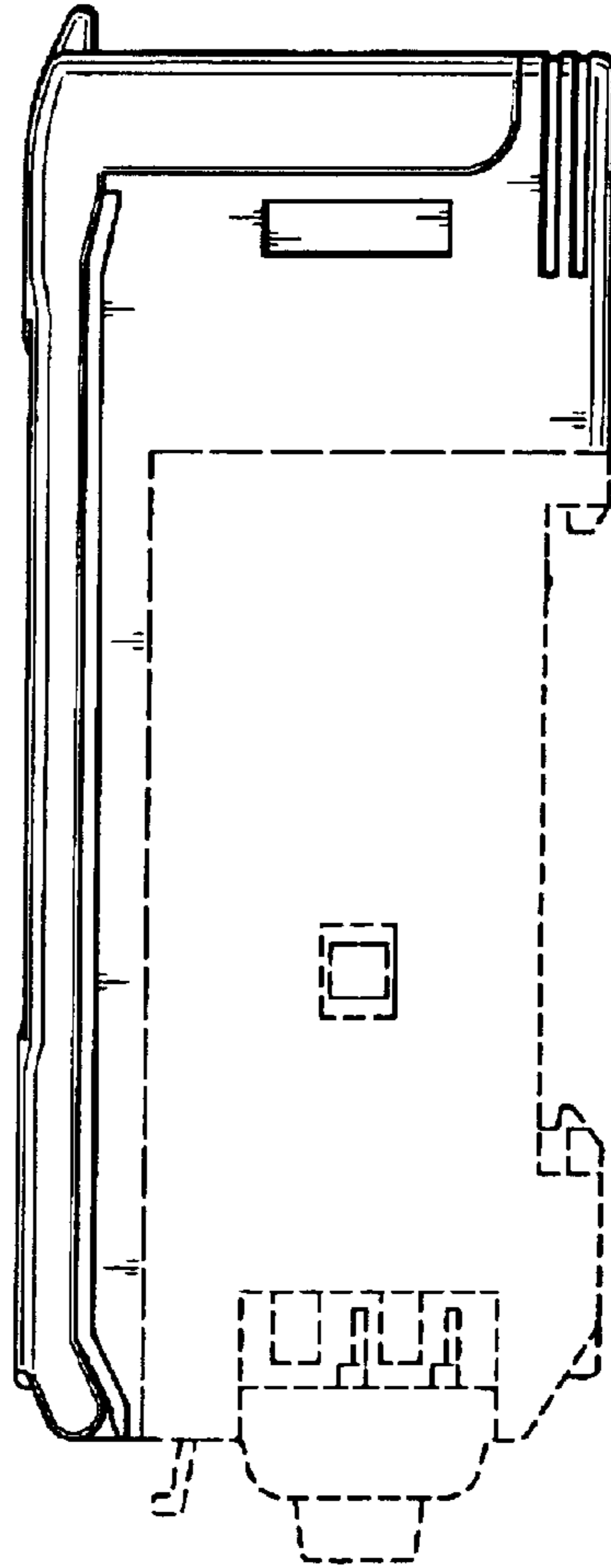


Fig. 13

Fig. 14

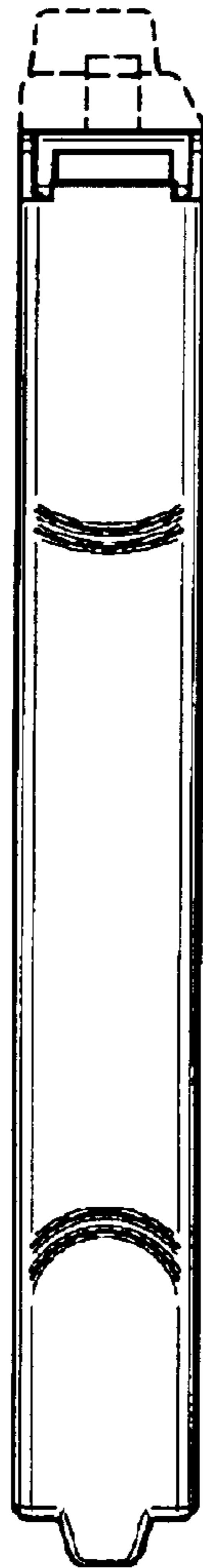


Fig. 16

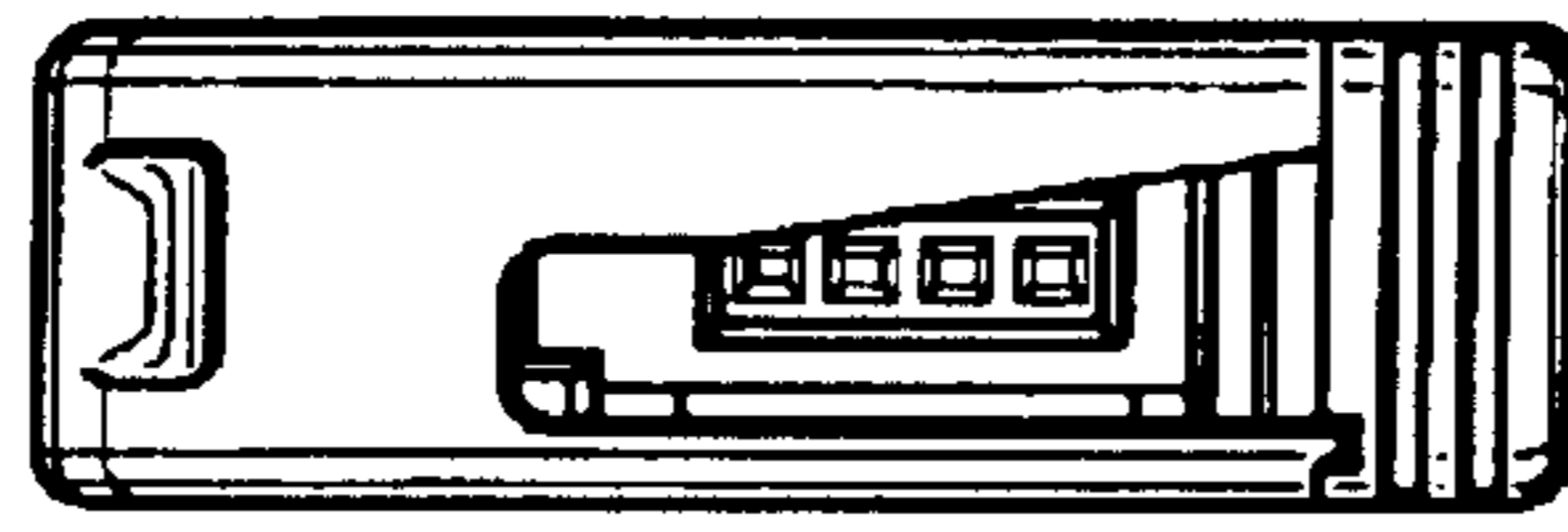


Fig. 17

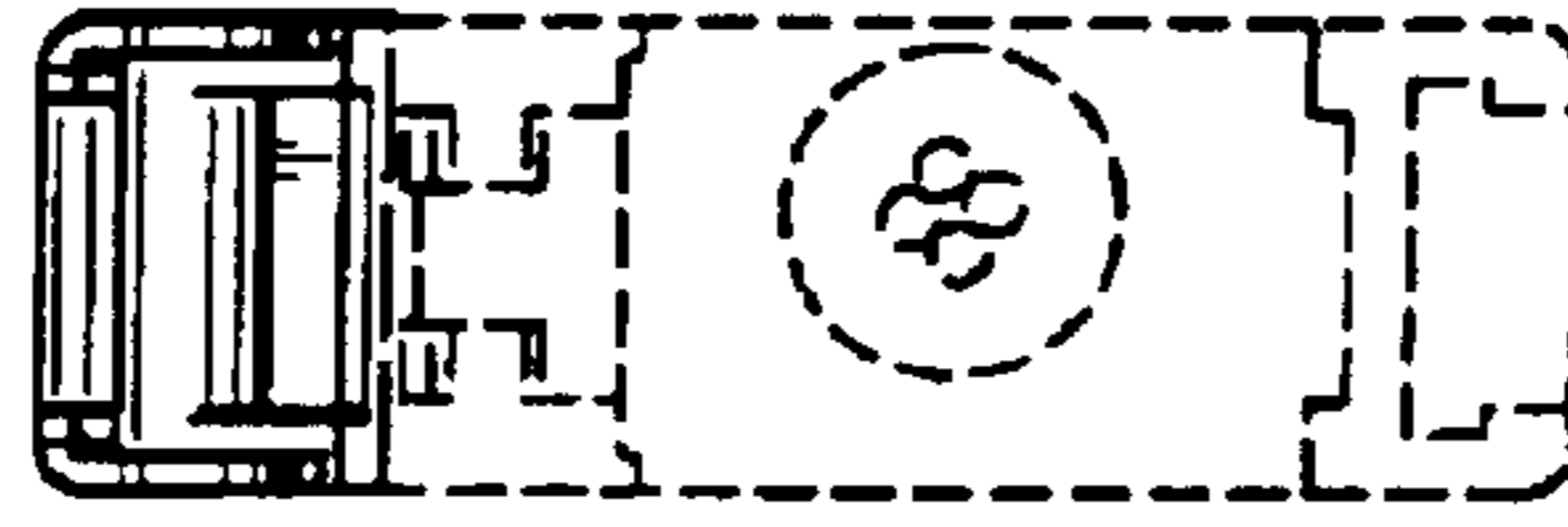
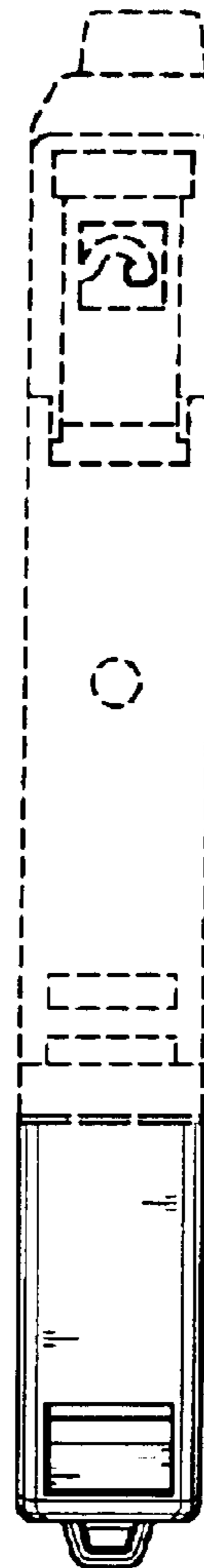


Fig. 15



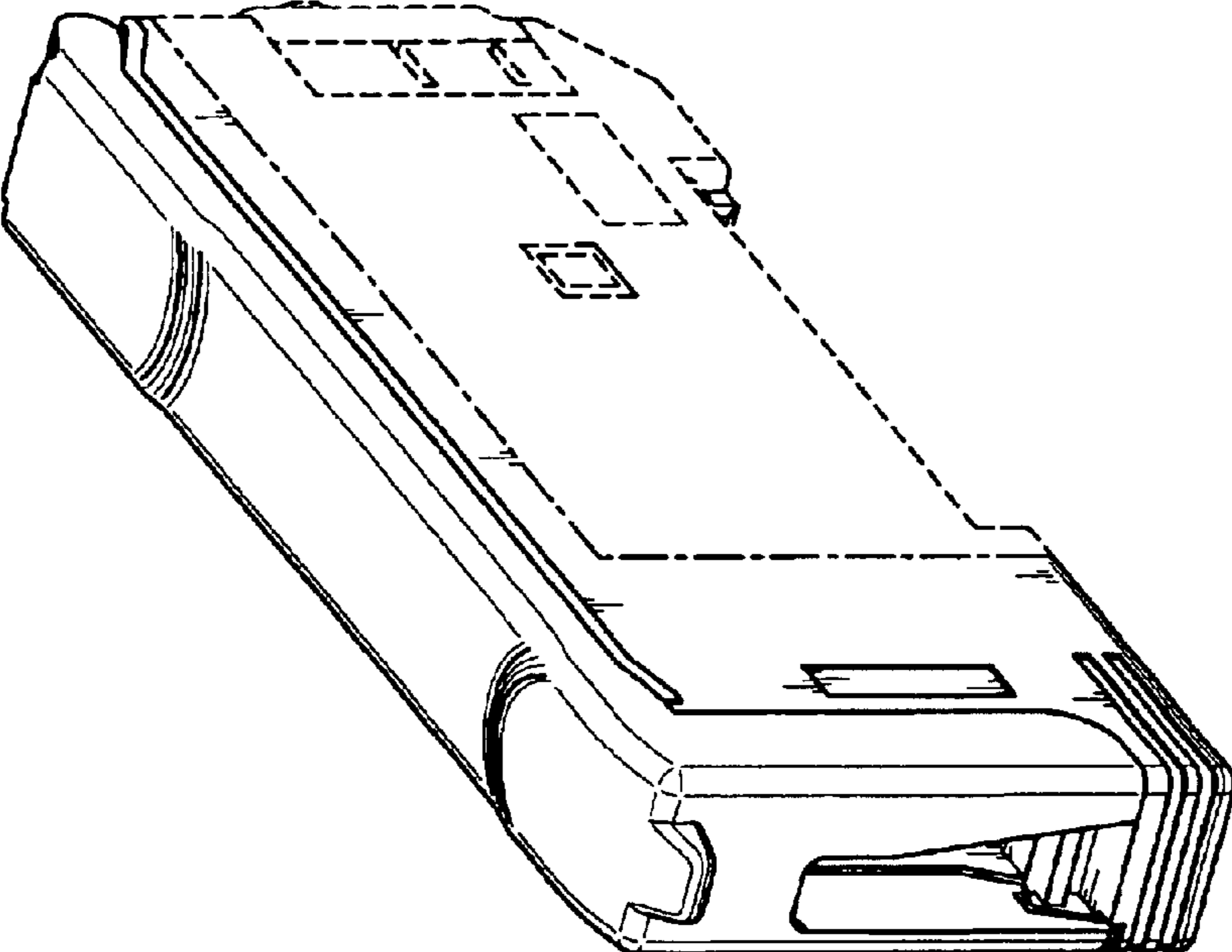


Fig. 18