

US00D494142S1

(12) **United States Design Patent**  
**Schön**

(10) **Patent No.: US D494,142 S**

(45) **Date of Patent: \*\* Aug. 10, 2004**

(54) **SAFETY SWITCHING DEVICE**

D442,923 S \* 5/2001 Raspotnig ..... D13/184

(75) Inventor: **Klaus Schön**, Esslingen (DE)

\* cited by examiner

(73) Assignee: **Pilz GmbH & Co.**, Ostfildern (DE)

*Primary Examiner*—Philip S. Hyder

*Assistant Examiner*—Selina Sikder

(\*\*) Term: **14 Years**

(74) *Attorney, Agent, or Firm*—Cohen, Pontani, Lieberman & Pavane

(21) Appl. No.: **29/151,399**

(57) **CLAIM**

(22) Filed: **Nov. 8, 2001**

The ornamental design for a safety switching device, as shown.

(30) **Foreign Application Priority Data**

May 10, 2001 (DE) ..... 4 01 04 514

**DESCRIPTION**

(51) **LOC (7) Cl.** ..... **13-03**

FIG. 1 is a front, left-side perspective view of a first embodiment;

(52) **U.S. Cl.** ..... **D13/162**

FIG. 2 is a top view of the first embodiment;

(58) **Field of Search** ..... D13/158, 159,

FIG. 3 is a bottom view of the first embodiment;

D13/162, 184, 199; D14/240; 200/237,

FIG. 4 is a front view of the first embodiment;

293, 297; 361/295, 686, 692, 724, 730,

FIG. 5 is a left-side view of the first embodiment;

736, 802; 335/132, 202

FIG. 6 is a right-side view of the first embodiment;

(56) **References Cited**

FIG. 7 is a front, left side perspective view of a second embodiment;

**U.S. PATENT DOCUMENTS**

FIG. 8 is a top view of the second embodiment;

D318,874 S \* 8/1991 Pushelberg et al. .... D14/240

FIG. 9 is a bottom view of the second embodiment;

D333,813 S \* 3/1993 Ishida ..... D13/162

FIG. 10 is a front view of the second embodiment;

D358,369 S \* 5/1995 Shimizu et al. .... D13/164

FIG. 11 is a left-side view of the second embodiment; and,

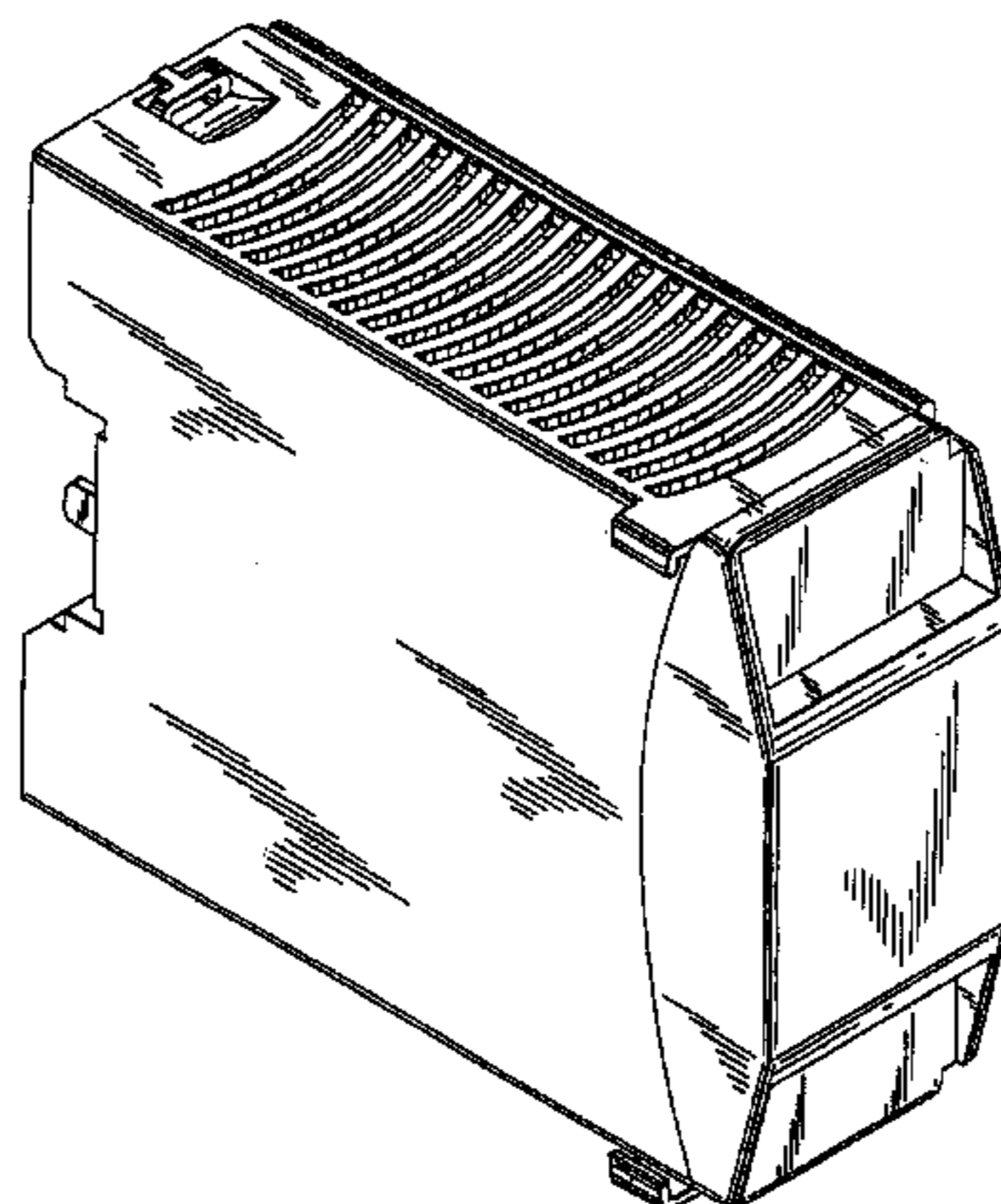
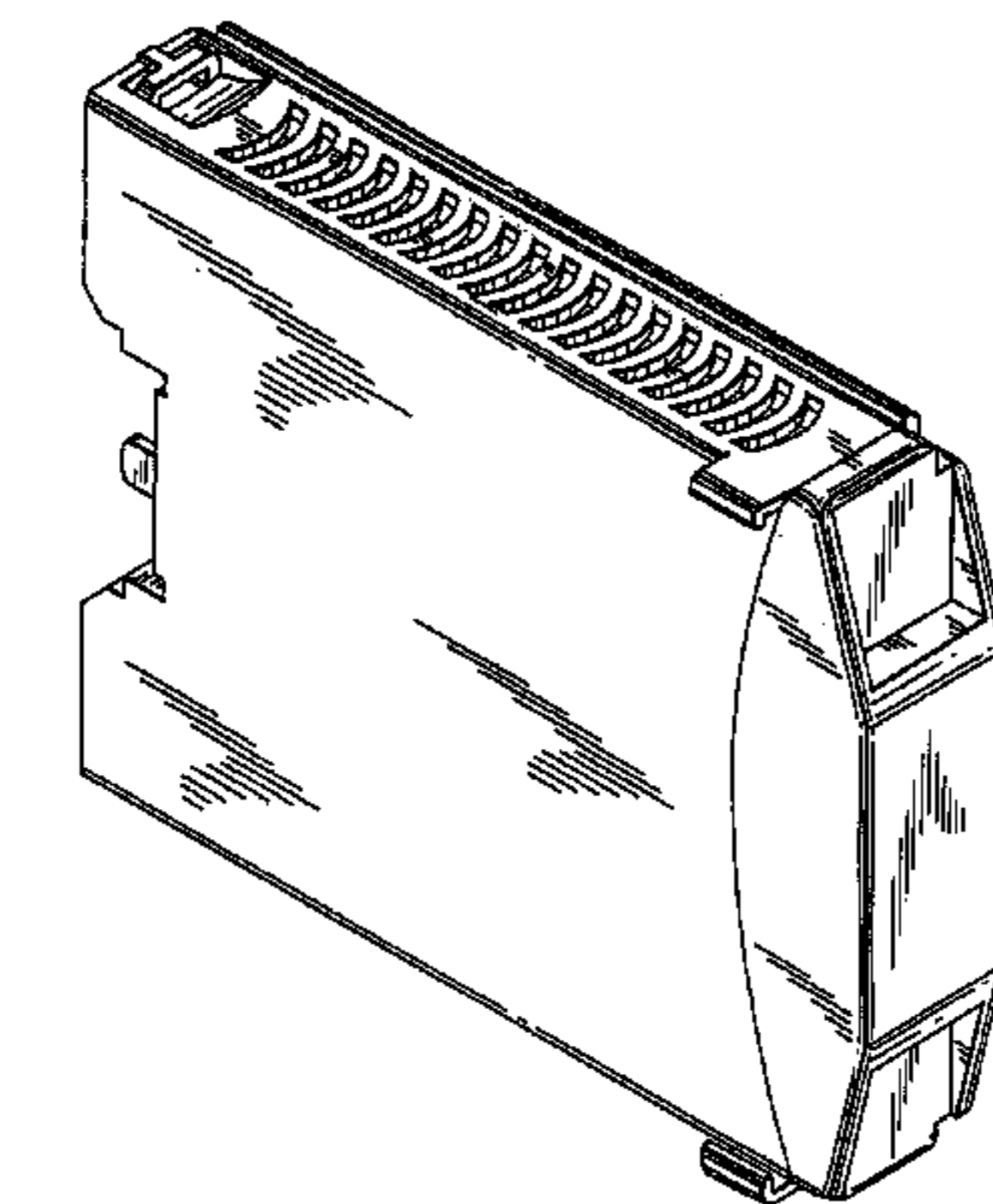
D366,244 S \* 1/1996 Kurokawa et al. .... D13/162

FIG. 12 is a right-side view of the second embodiment.

D366,869 S \* 2/1996 Collins ..... D13/184

D424,529 S \* 5/2000 Raspotnig ..... D13/184

**1 Claim, 9 Drawing Sheets**



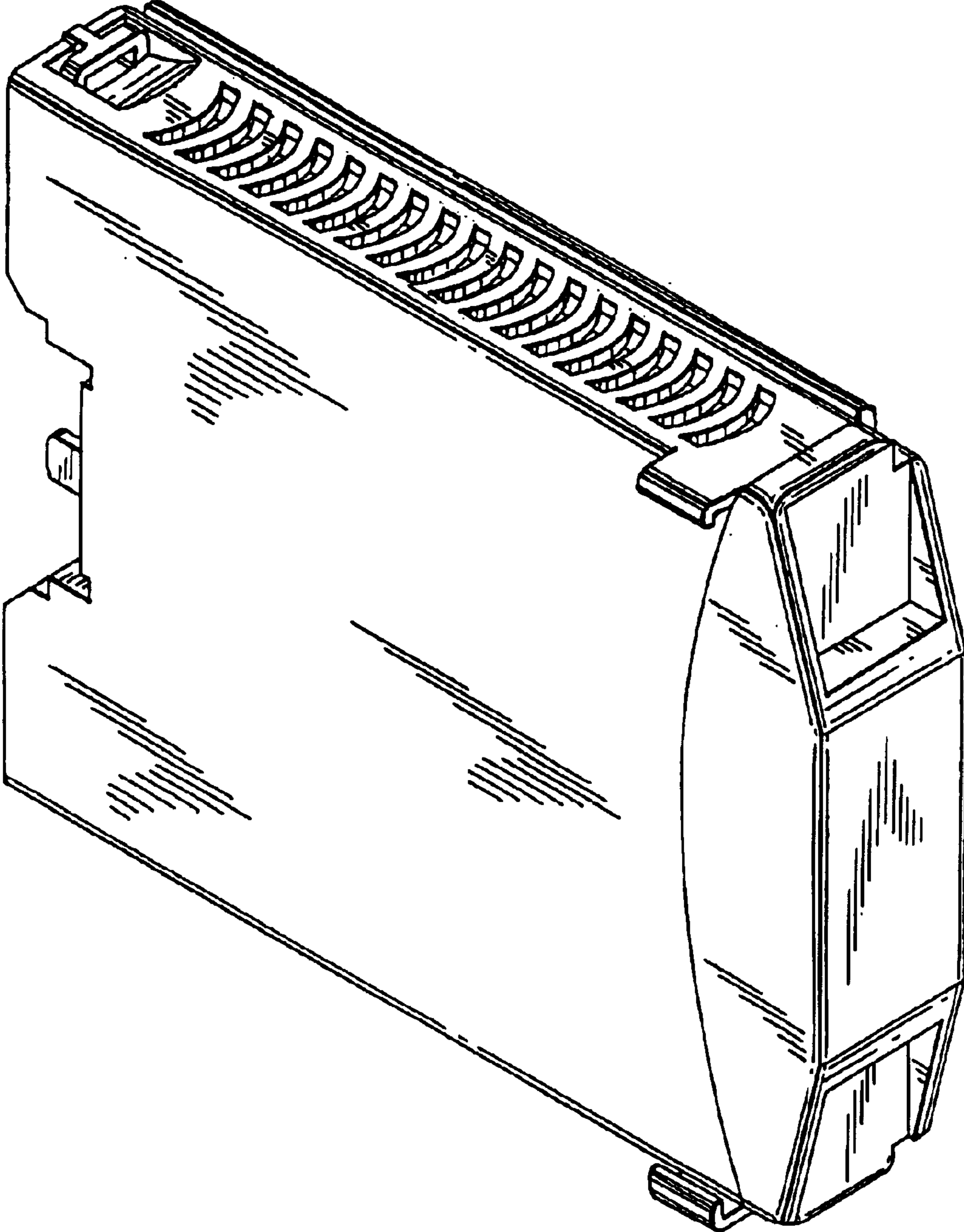


FIG. 1

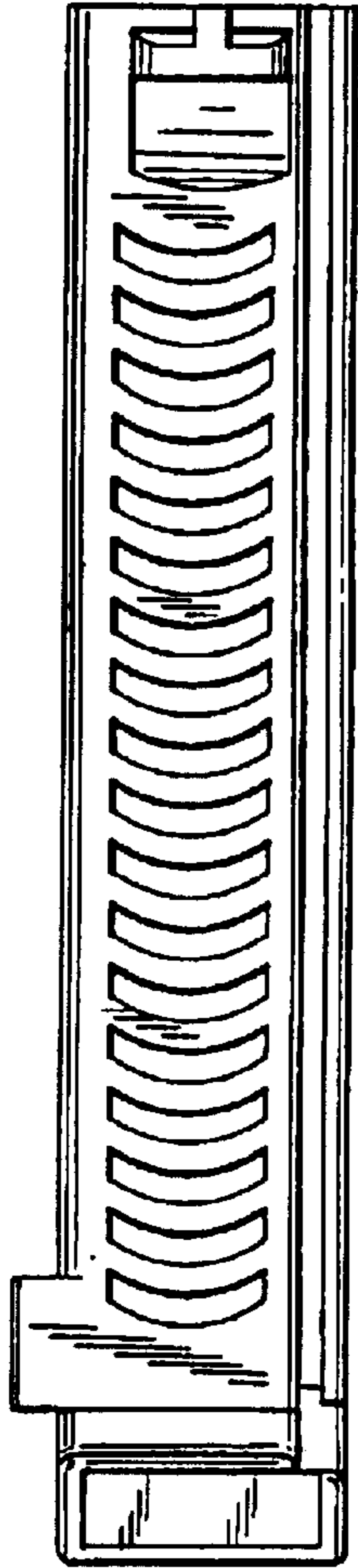


FIG. 2

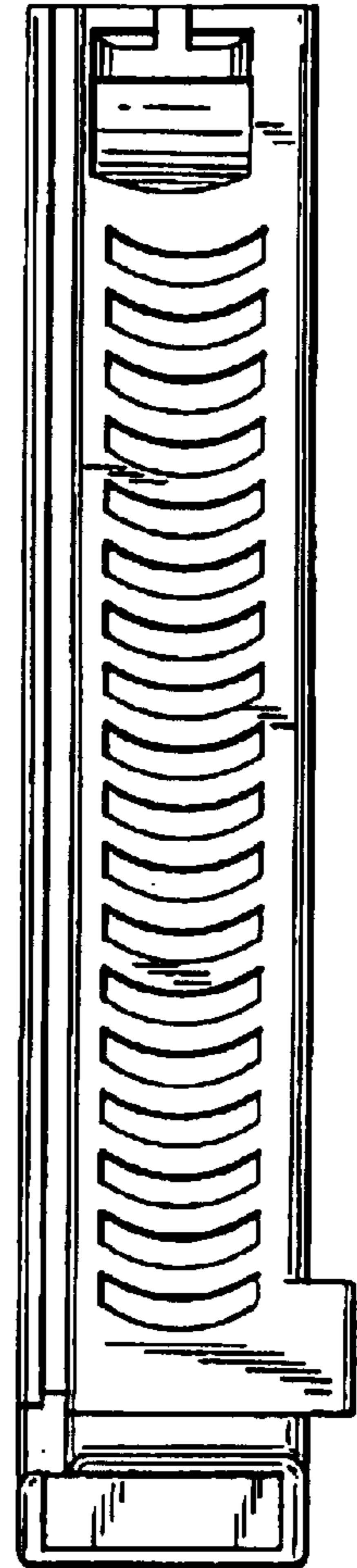


FIG. 3



FIG. 4

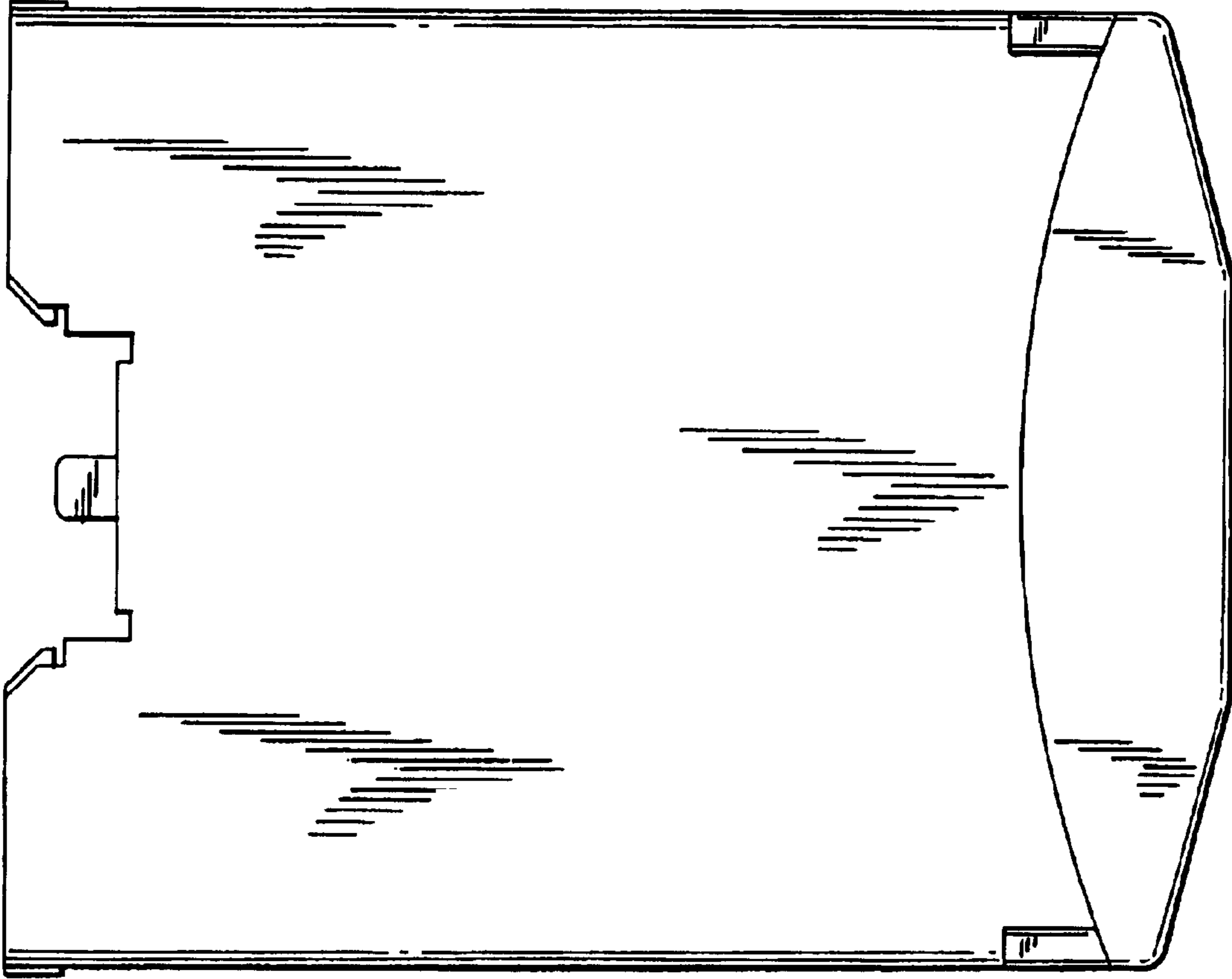


FIG.5

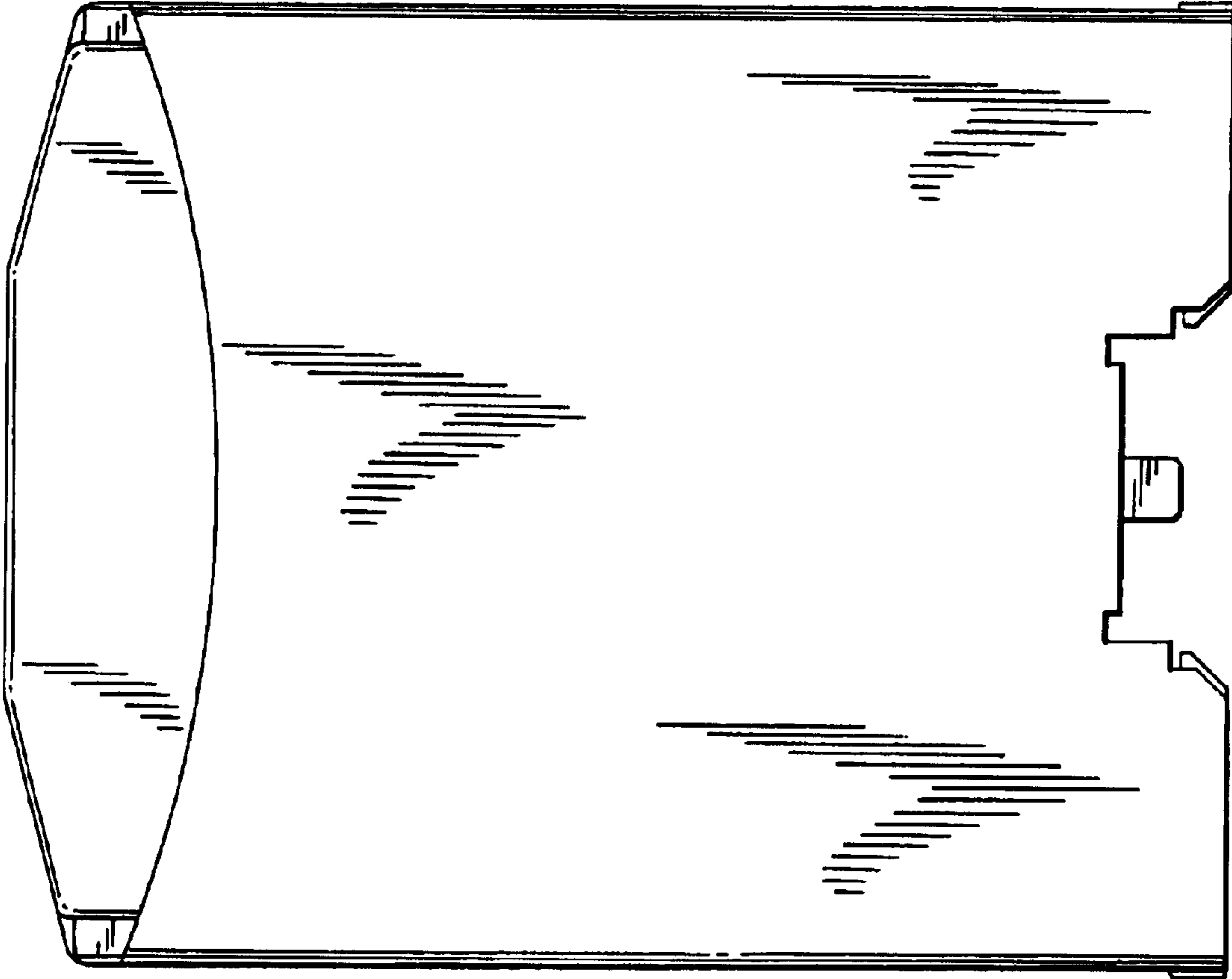


FIG.6

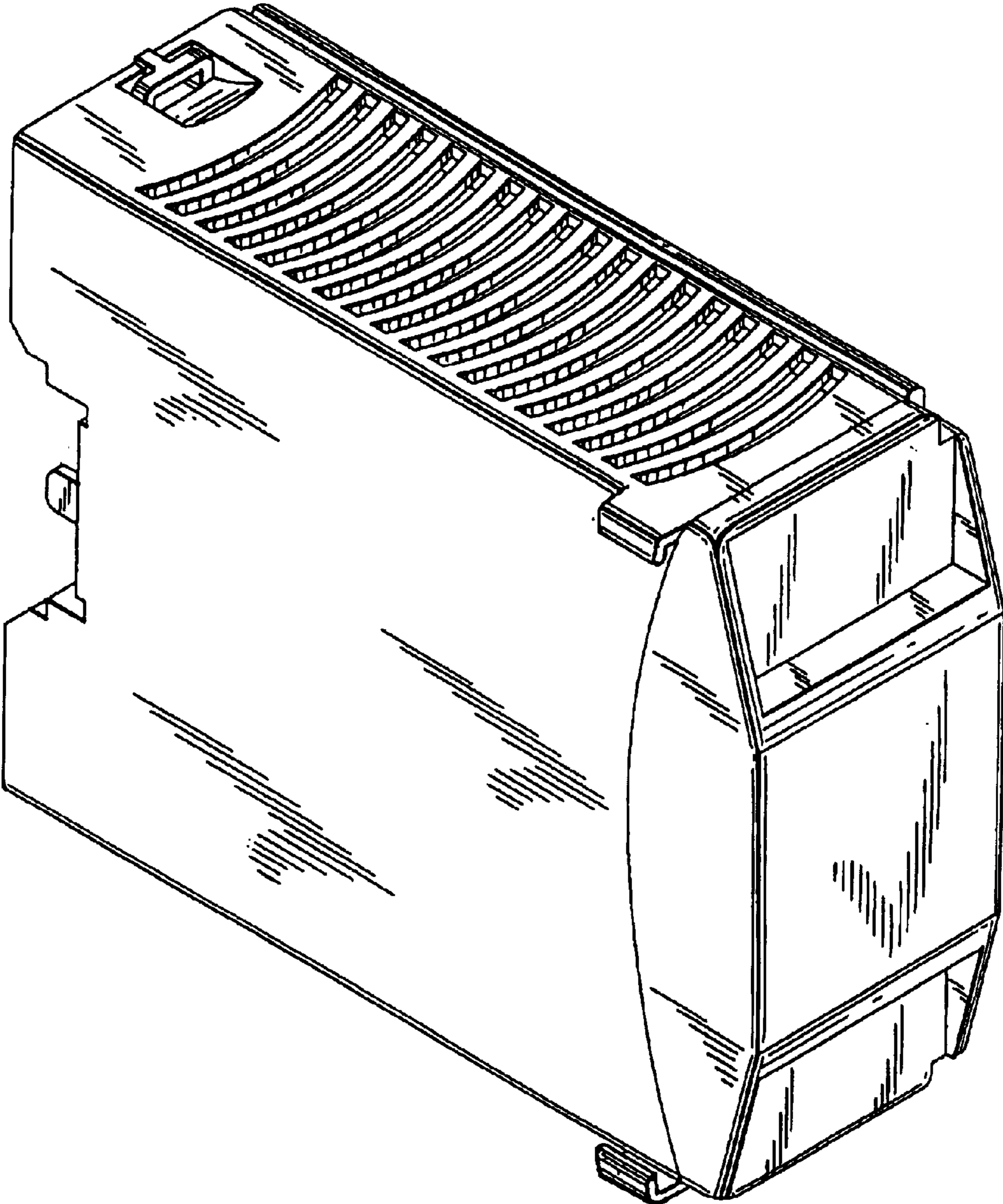


FIG. 7

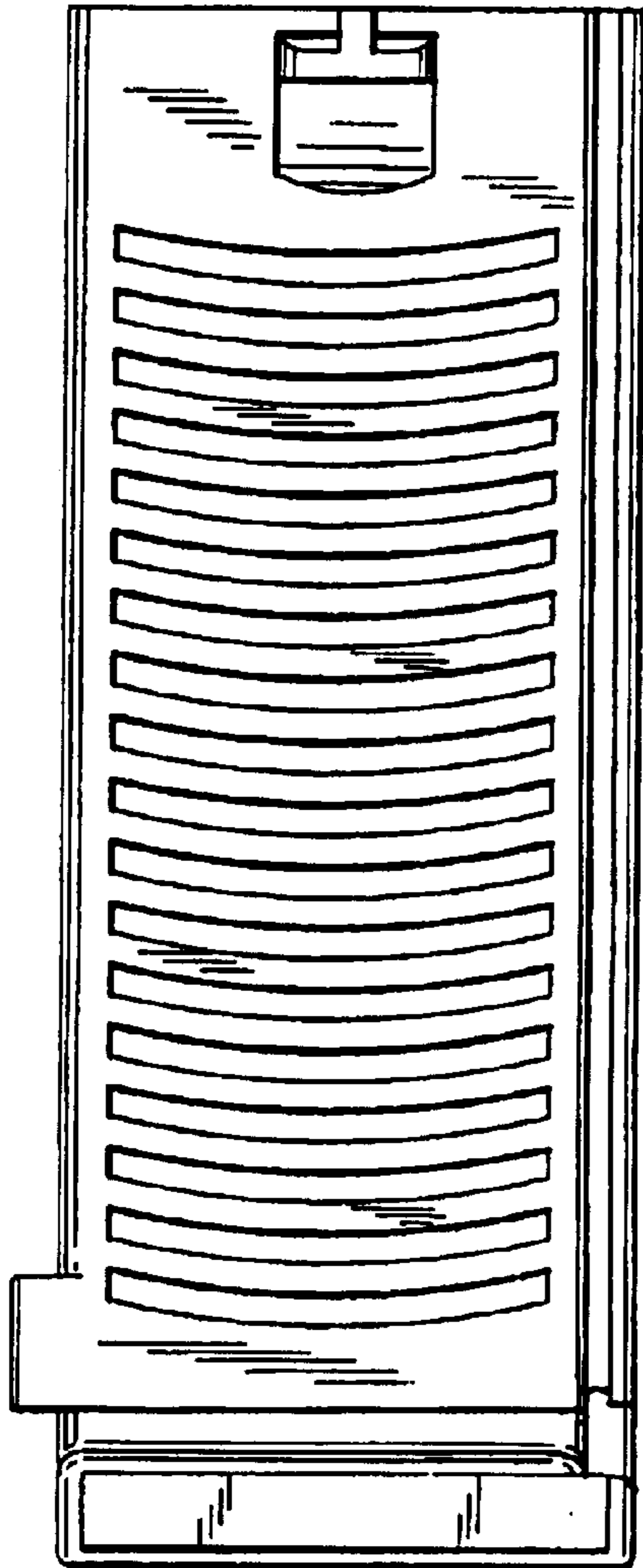


FIG. 8

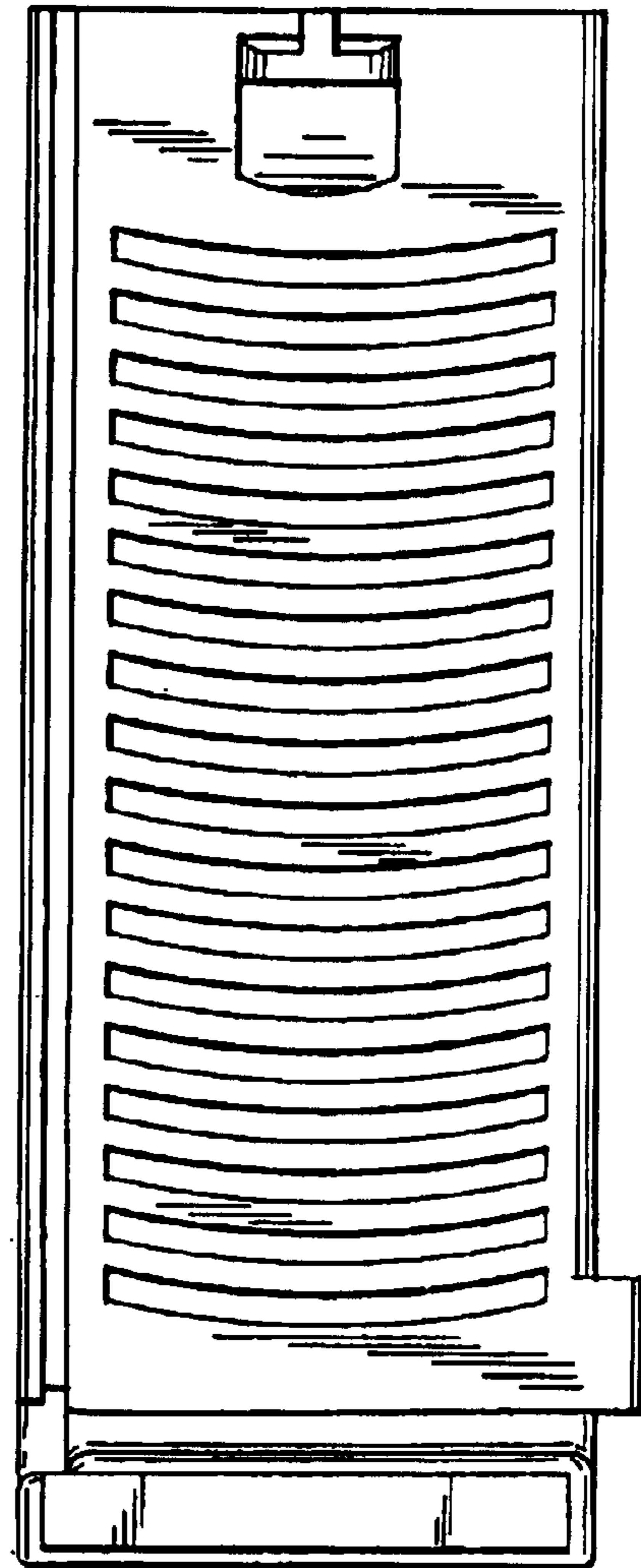


FIG. 9

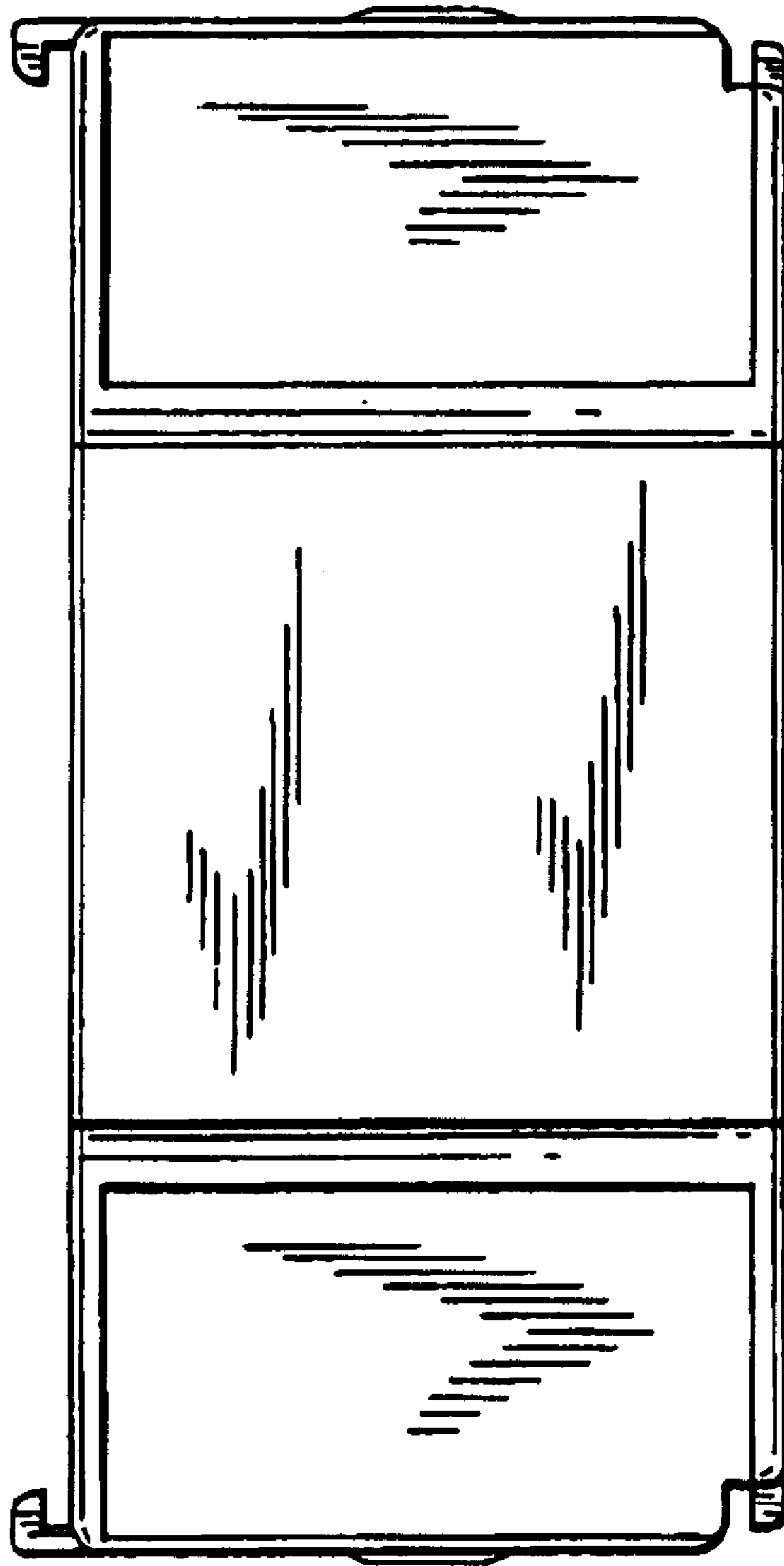


FIG. 10



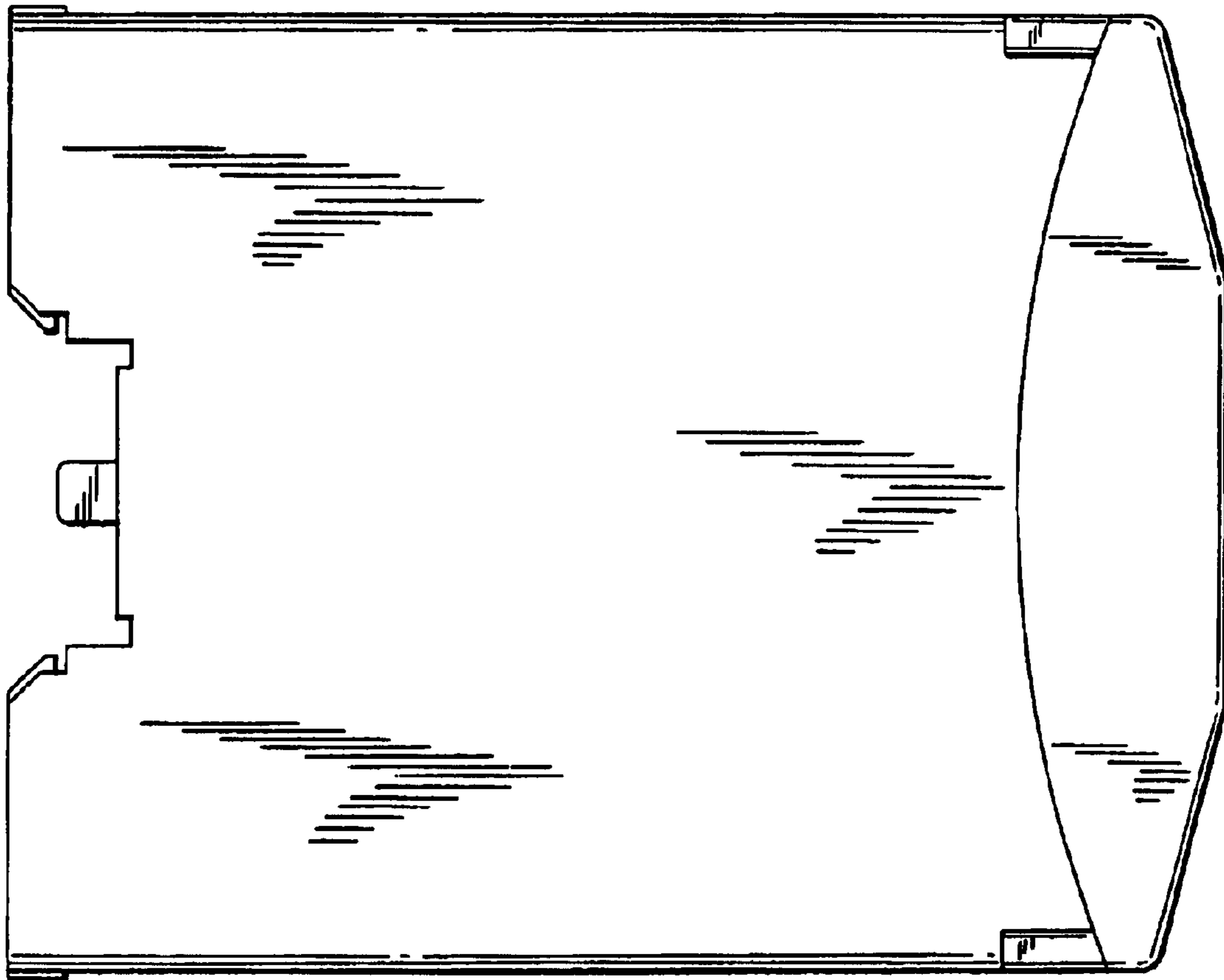


FIG. 11

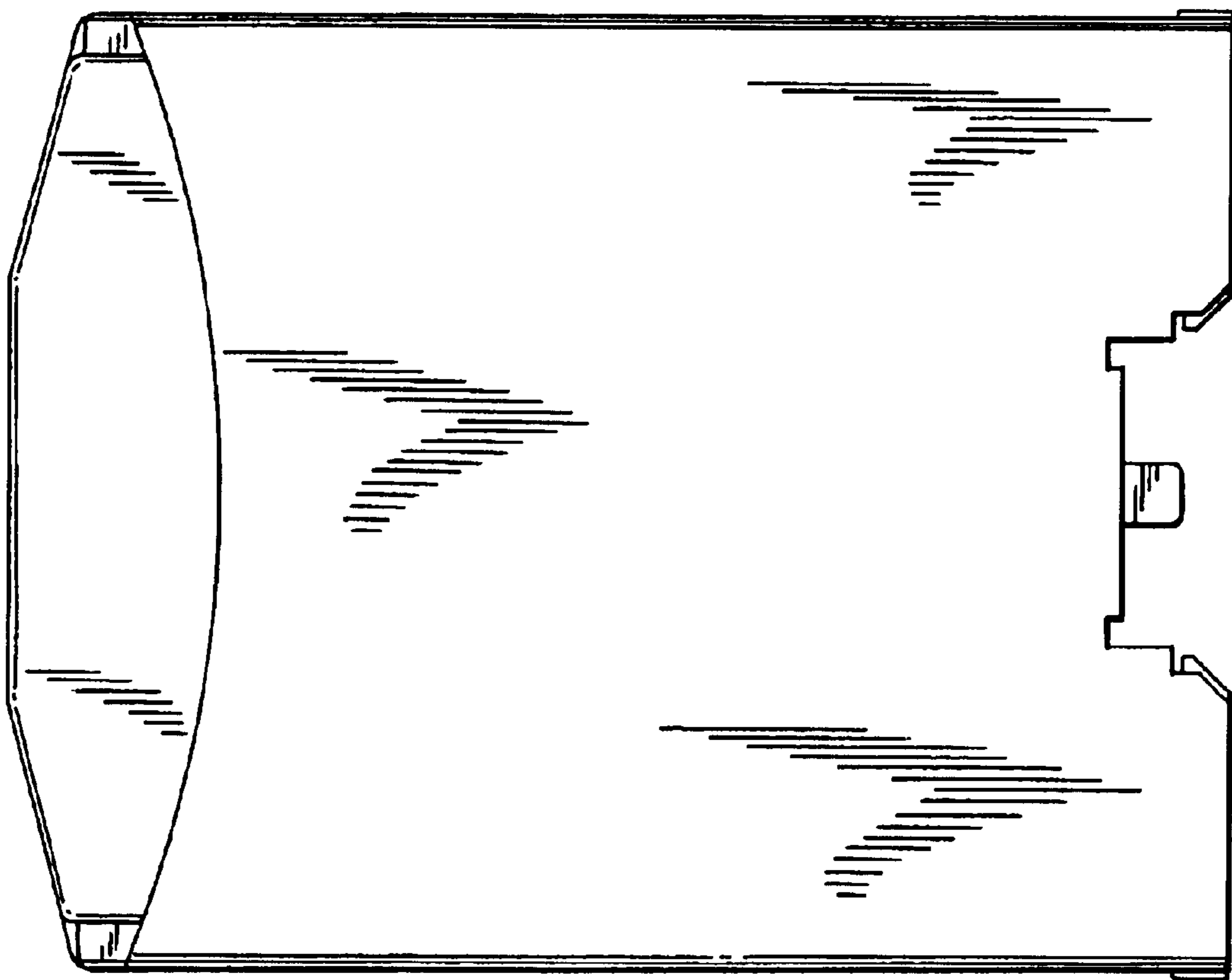


FIG.12