

US00D494141S1

(12) **United States Design Patent**  
**Spink, Jr.**

(10) **Patent No.: US D494,141 S**

(45) **Date of Patent: \*\* Aug. 10, 2004**

(54) **ELECTRICAL CONNECTOR**

RE37,296 E \* 7/2001 Peterson ..... 439/677

(75) **Inventor: William E. Spink, Jr.,** Laguna Niguel,  
CA (US)

\* cited by examiner

(73) **Assignee: Hon Hai Precision Ind. Co., Ltd,**  
Taipei Hsien (TW)

*Primary Examiner*—Philip S. Hyder

*Assistant Examiner*—Selina Sikder

(74) *Attorney, Agent, or Firm*—Wei Te Chung

(\*\*) **Term: 14 Years**

(57) **CLAIM**

The ornamental design for an electrical connector, as shown and described.

(21) **Appl. No.: 29/190,327**

(22) **Filed: Sep. 17, 2003**

**DESCRIPTION**

(51) **LOC (7) Cl. .... 13-03**

(52) **U.S. Cl. .... D13/147**

(58) **Field of Search** ..... D13/146, 147;  
439/594, 595, 597, 677, 680, 752

FIG. 1 is a front, top and right side perspective view of an electrical connector showing my new design; FIG. 2 is a front elevational view thereof; FIG. 3 is a rear elevational view thereof; FIG. 4 is a left side elevational view thereof; FIG. 5 is a right side elevational view thereof; FIG. 6 is a top plan view thereof; and, FIG. 7 is a bottom plan view thereof.

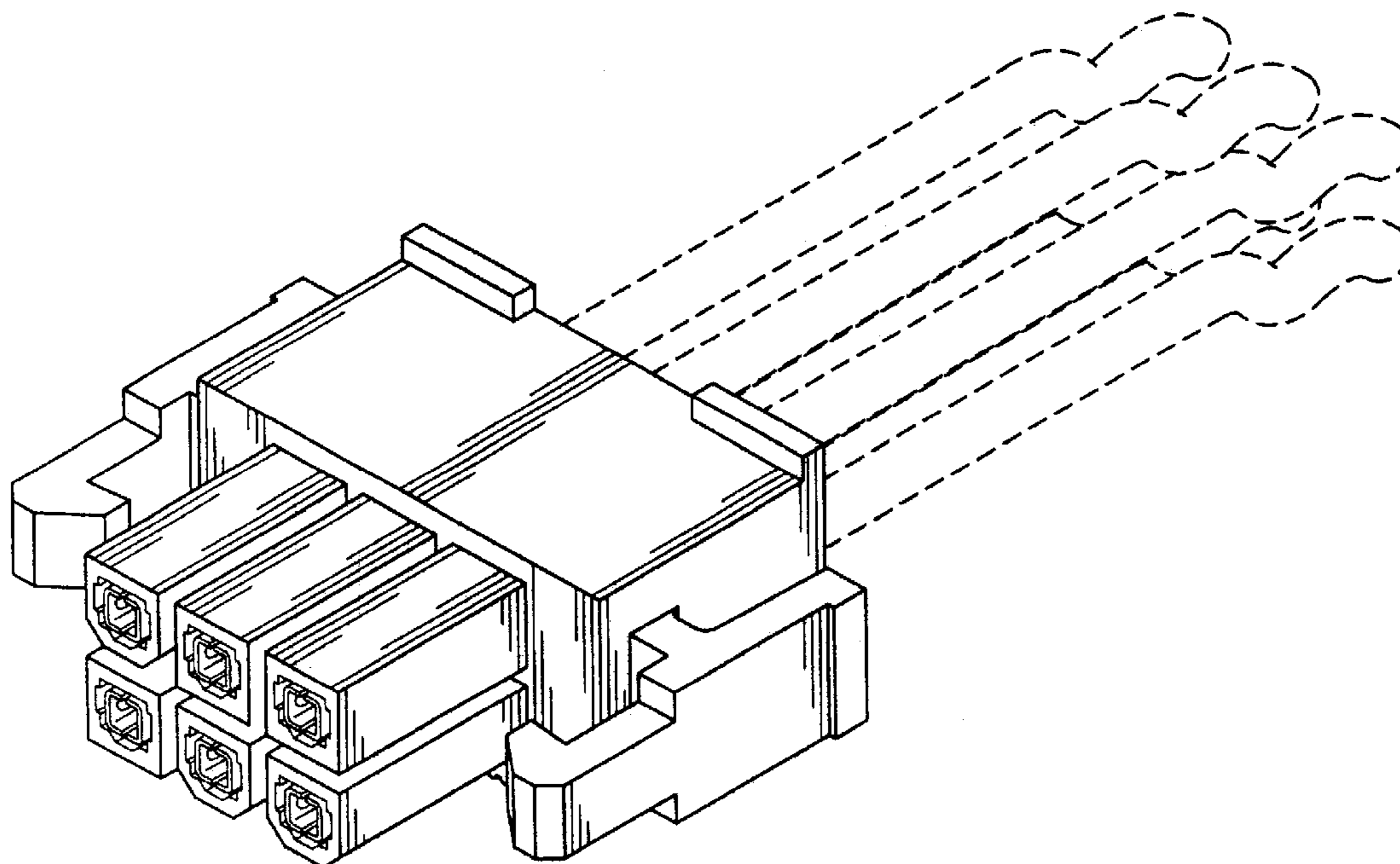
The cable shown in phantom lines is for illustrative purposes only and forms no part of the claimed design.

(56) **References Cited**

**U.S. PATENT DOCUMENTS**

- 4,979,912 A \* 12/1990 Shindo et al. .... 439/595
- D316,704 S \* 5/1991 Eto et al. .... D13/147
- 5,595,509 A \* 1/1997 Fry et al. .... 439/752
- D410,629 S \* 6/1999 Bandura et al. .... D13/147

**1 Claim, 7 Drawing Sheets**



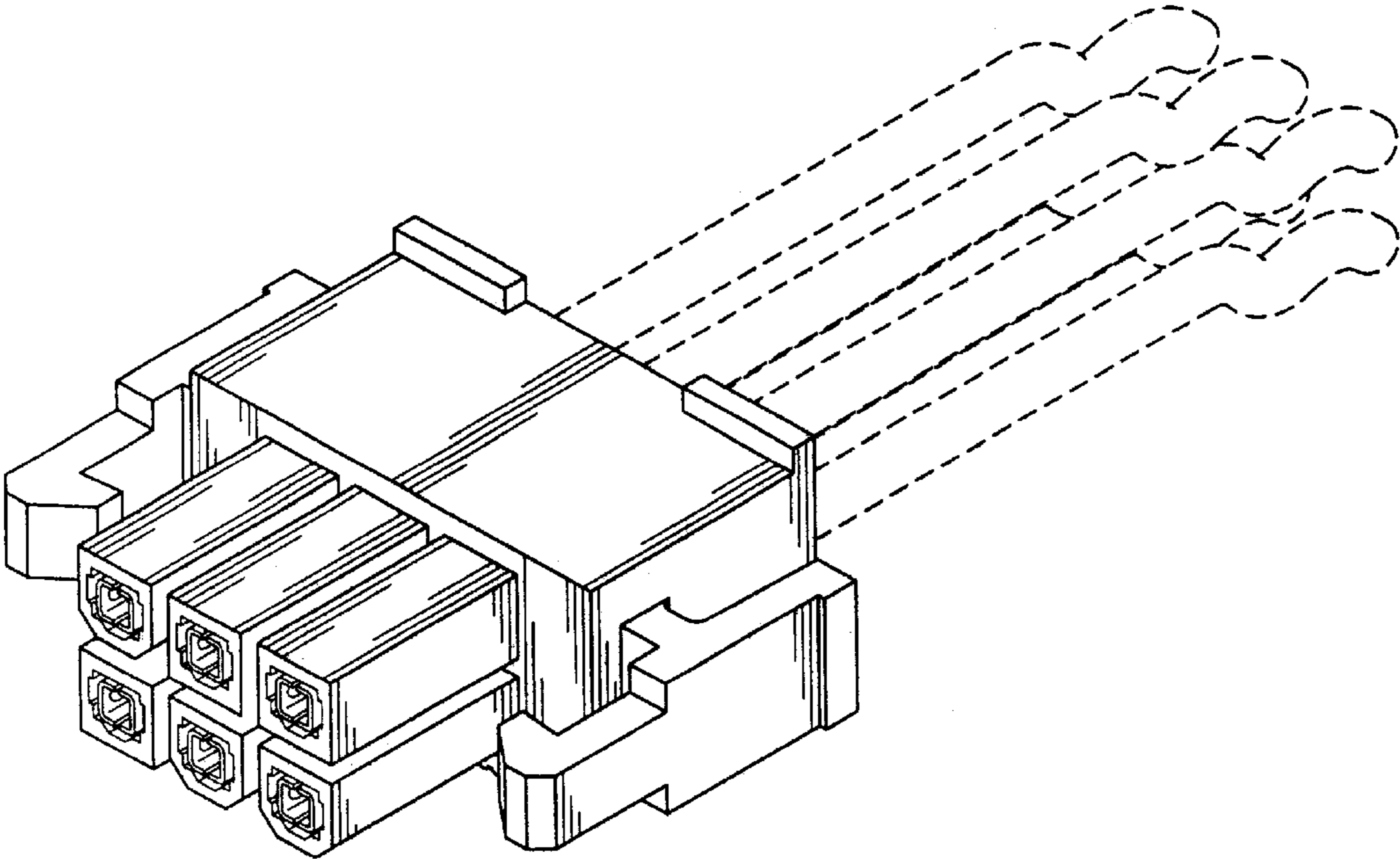


FIG. 1

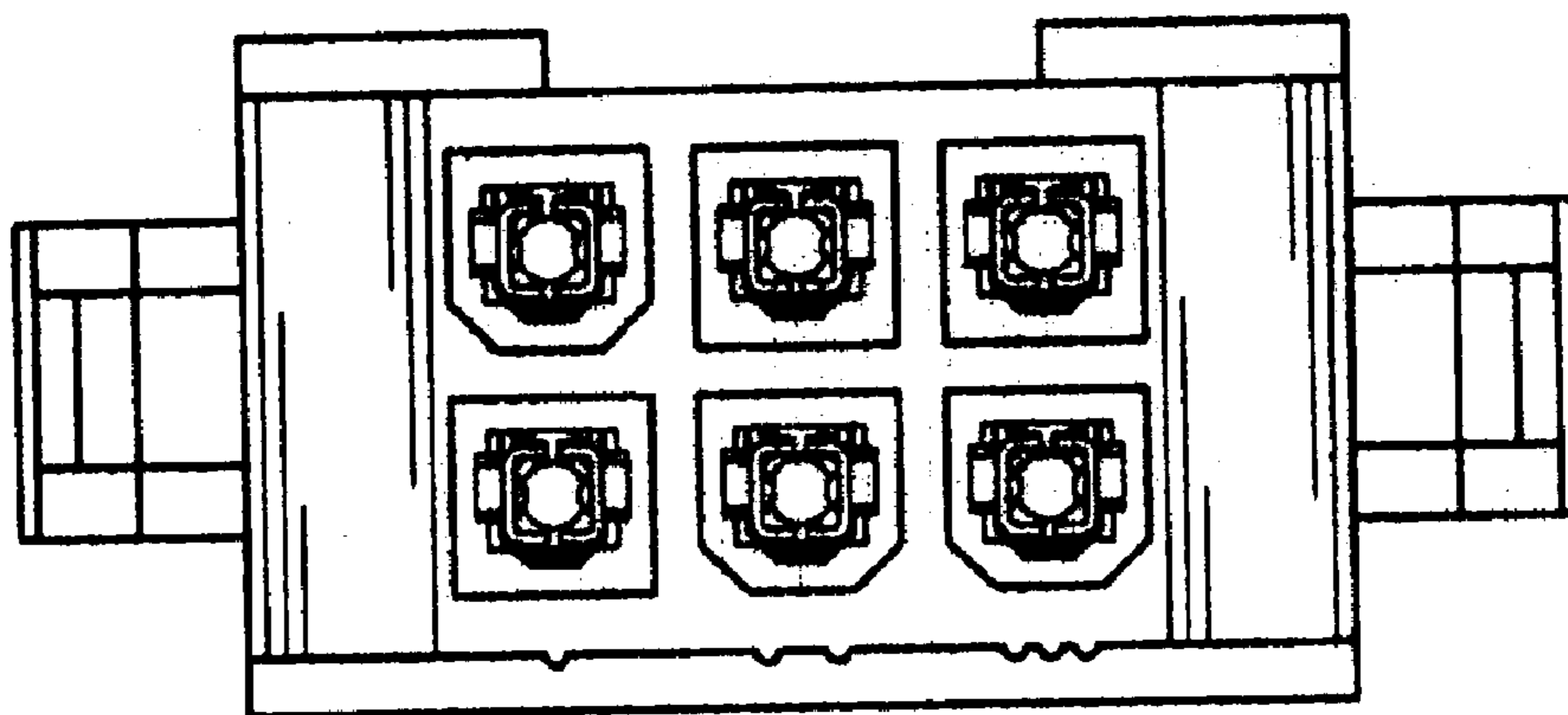


FIG. 2

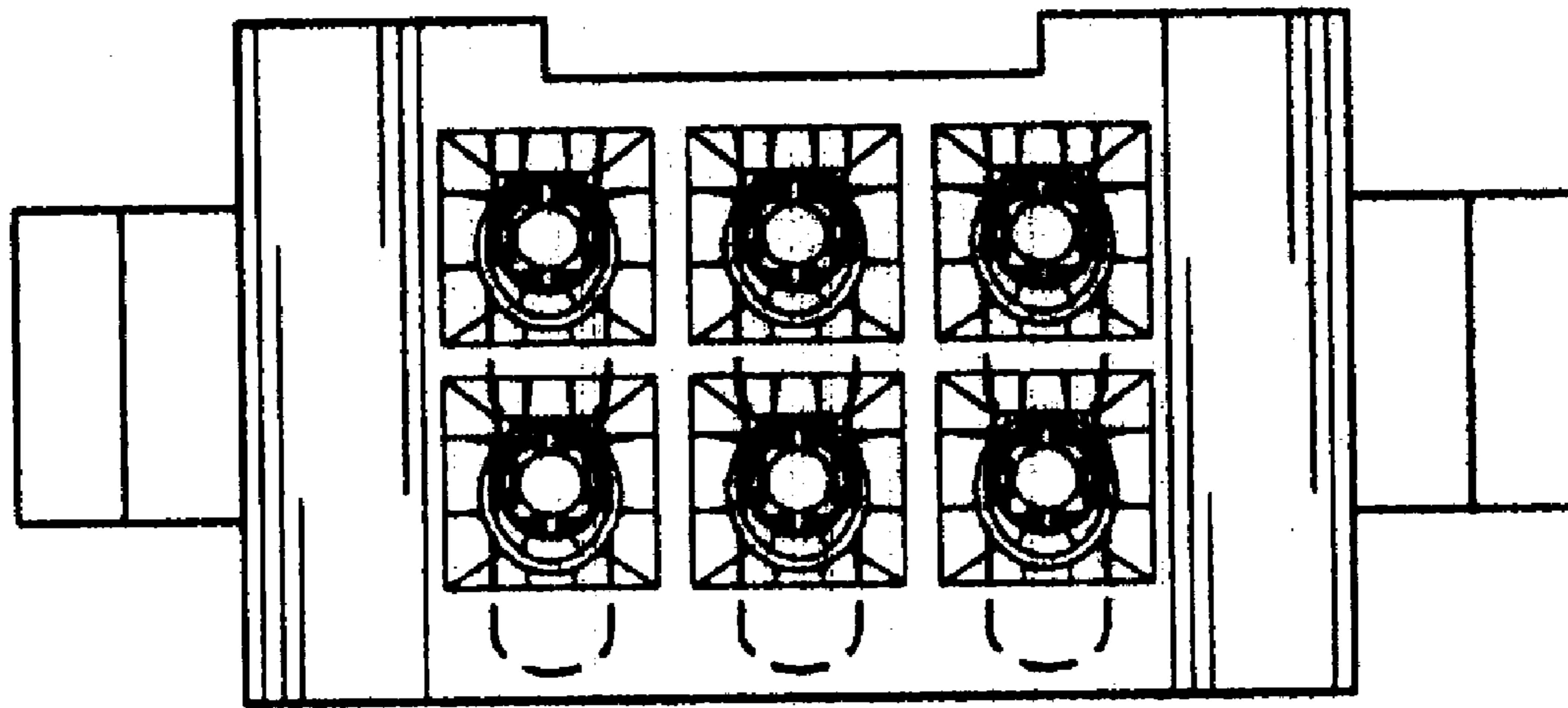


FIG. 3

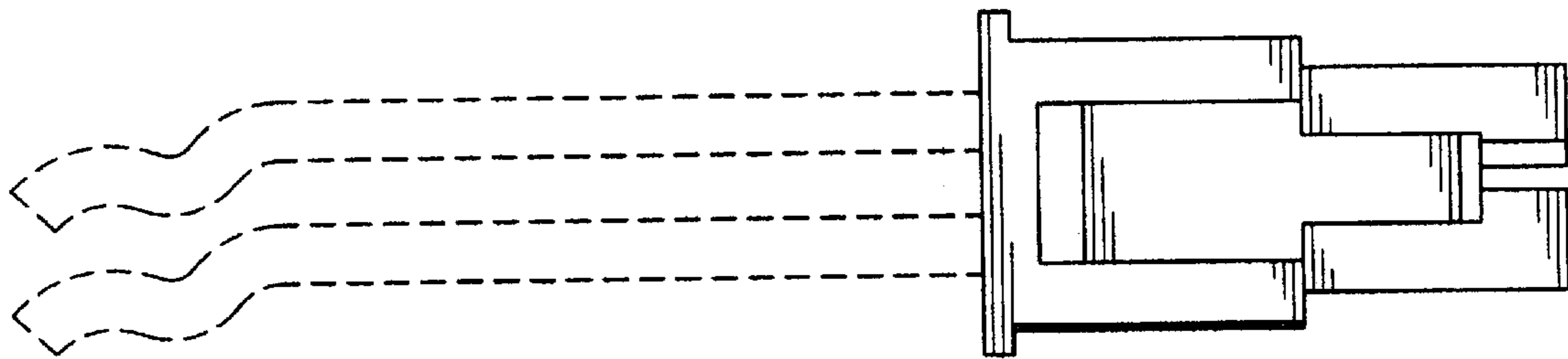


FIG. 4

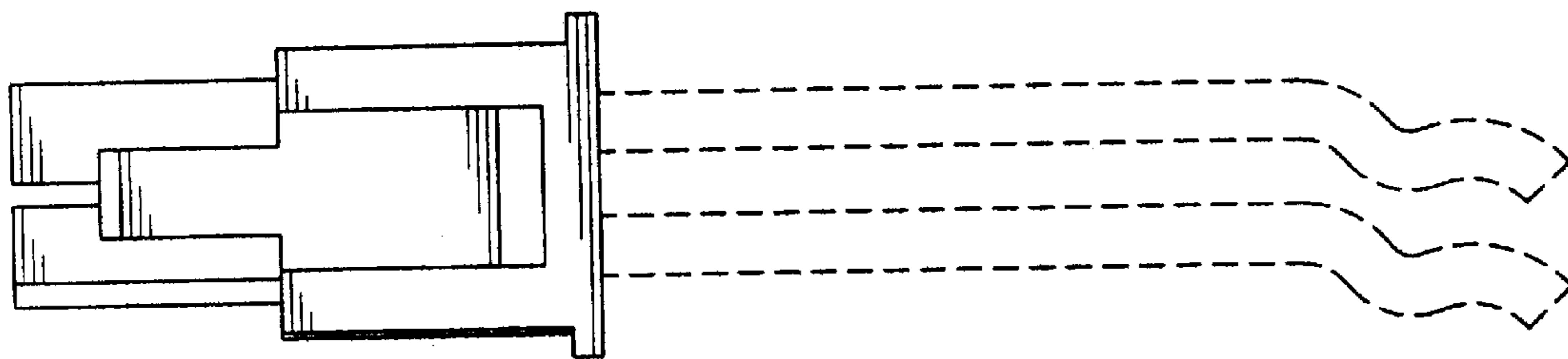


FIG. 5

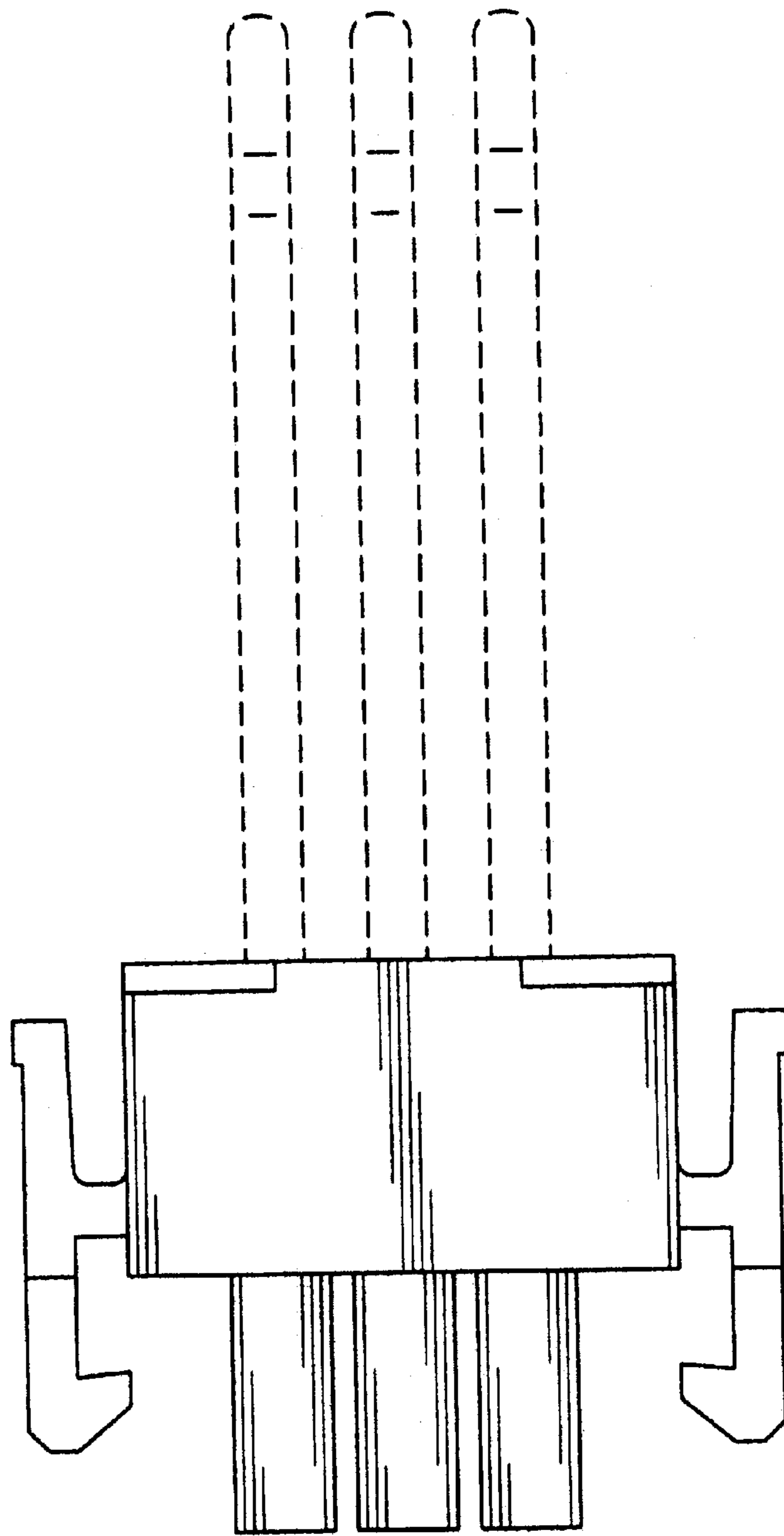


FIG. 6

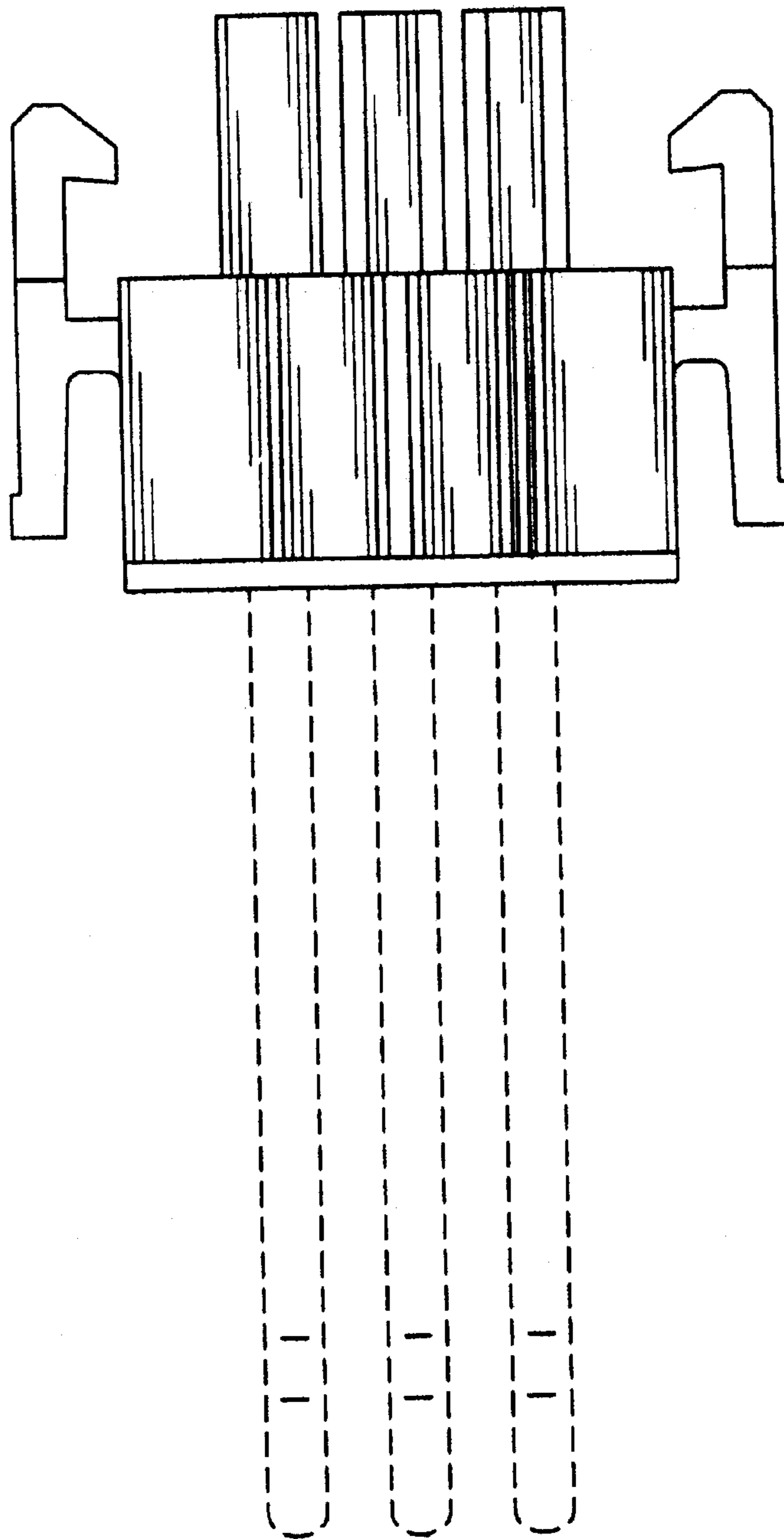


FIG. 7