

US00D494140S1

(12) **United States Design Patent**
Lin et al.

(10) **Patent No.: US D494,140 S**
(45) **Date of Patent: ** Aug. 10, 2004**

(54) **SUBSCRIBER IDENTIFICATION MODULE**

(76) Inventors: **San-Yiou Lin**, 1st Fl, No. 2, Alley 9 Lane 45, Pao-Hsing Rd, Hsin-Tien, Taipei (TW); **Gwo-Ming Zhou**, Sung-Yuan Tsun, Kuan-Lan Chen, Pao-An Hsien, Shen-Zhen City, Guangdong (TW); **Swu-Lin Dwan**, Sung-Yuan Tsun, Kuan-Lan Chen, Pao-An Hsien, Shen-Zhen City, Guangdong (TW)

(**) Term: **14 Years**

(21) Appl. No.: **29/165,239**

(22) Filed: **Aug. 6, 2002**

(30) **Foreign Application Priority Data**

Jul. 5, 2002 (TW) 91303567

(51) **LOC (7) Cl.** **13-03**

(52) **U.S. Cl.** **D13/147**

(58) **Field of Search** D13/133, 146, D13/147; D14/256; 235/44; 361/727, 730, 737, 752, 816, 829; 379/433.07, 433.09; 439/76.1, 188, 326, 630; 455/411, 406, 558, 560, 561, 573, 575, 575.1, 343.1

(56) **References Cited**

U.S. PATENT DOCUMENTS

5,790,659 A * 8/1998 Strand 379/433

5,882,230 A * 3/1999 Bricaud et al. 439/630
5,975,959 A * 11/1999 Joly 439/630
6,027,593 A * 2/2000 Lunt et al. 439/326
6,086,424 A * 7/2000 Chang 439/630
6,305,960 B1 * 10/2001 Fan 439/188
6,398,572 B1 * 6/2002 Larsson 439/327
6,409,529 B1 * 6/2002 Liu et al. 439/188

* cited by examiner

Primary Examiner—Philip S. Hyder

Assistant Examiner—Selina Sikder

(74) *Attorney, Agent, or Firm*—Ganz Law, PC; Bradley M. Ganz

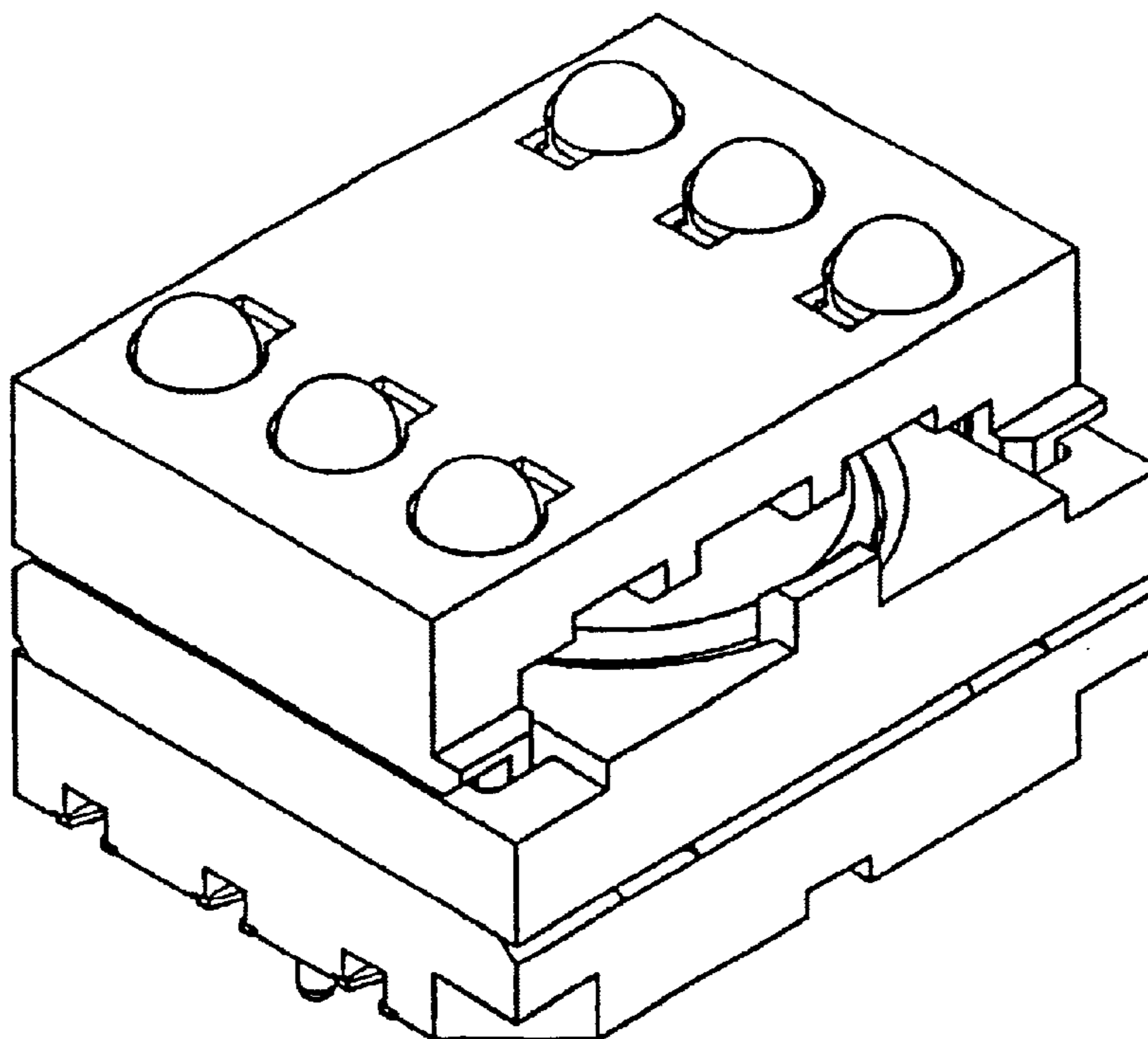
(57) **CLAIM**

The ornamental design for a subscriber identification module card connector having battery base, as shown.

DESCRIPTION

FIG. 1 is a front, top and left side perspective view of a subscriber identification module card connector having battery base showing my new design; FIG. 2 is a front elevational view thereof; FIG. 3 is a rear elevational view thereof; FIG. 4 is a left side elevational view thereof; FIG. 5 is a right side elevational view thereof; FIG. 6 is a top plan view thereof; and, FIG. 7 is another front, top and left side perspective view thereof while the battery base is pulled out.

1 Claim, 4 Drawing Sheets



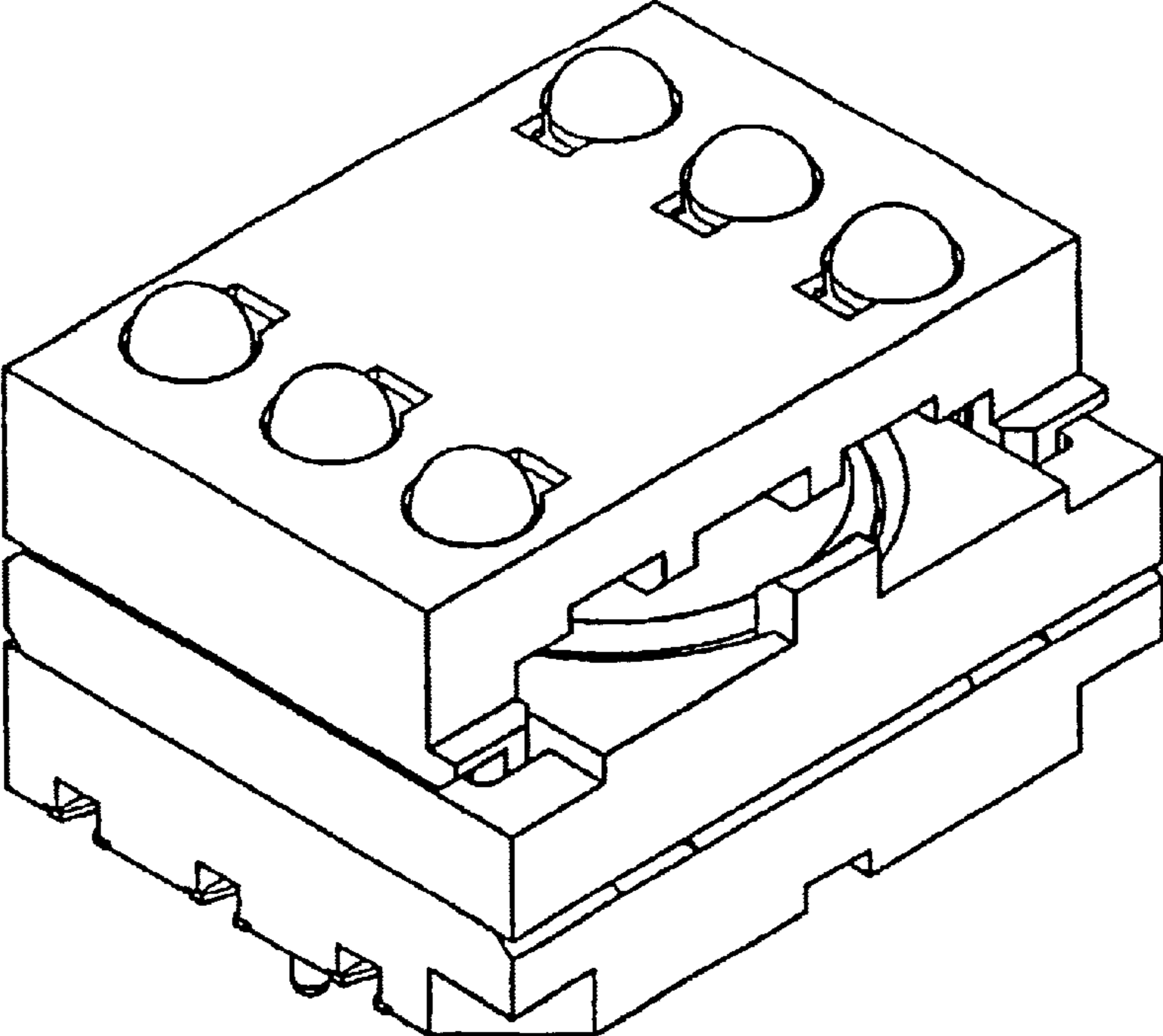


Fig. 1

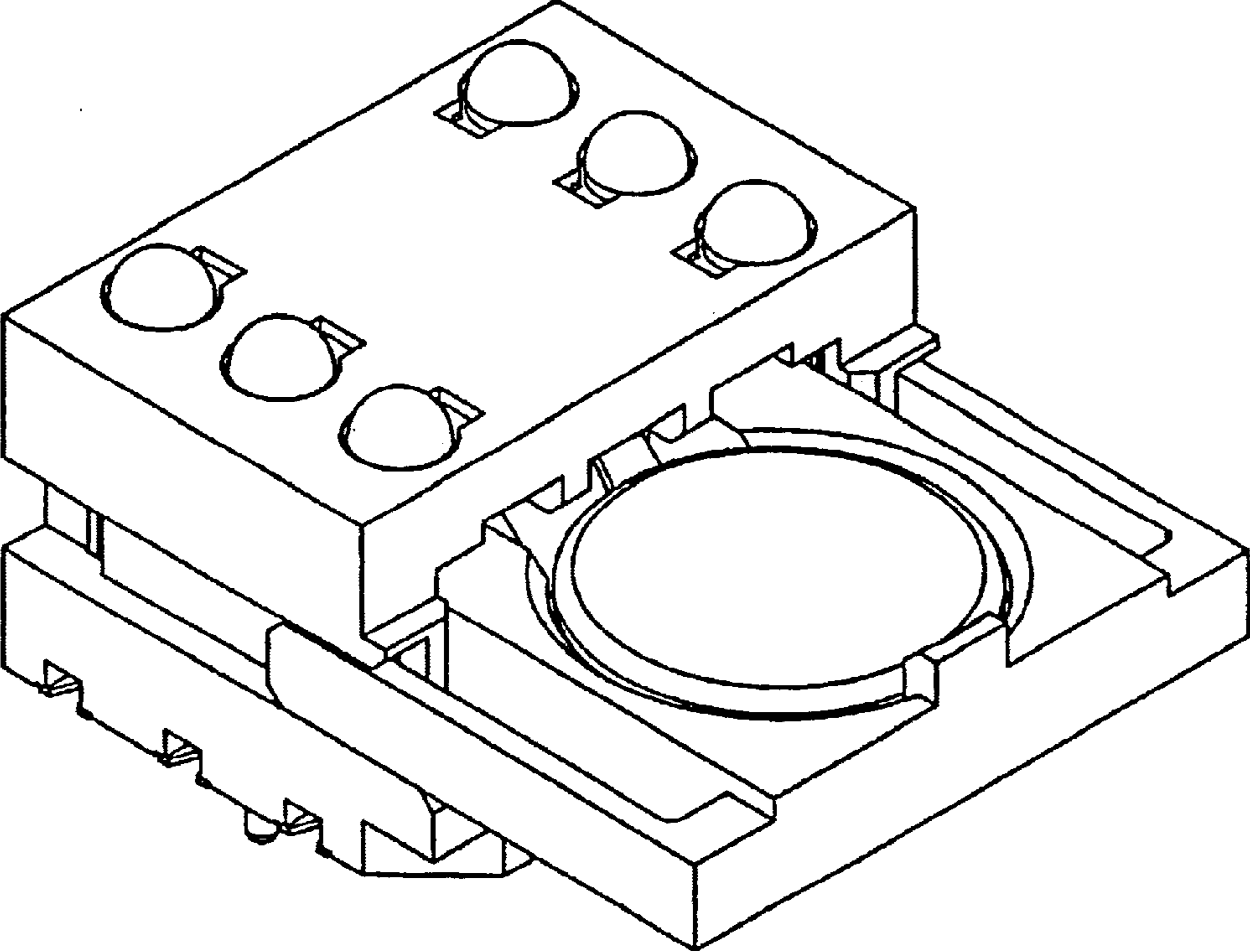


Fig. 7

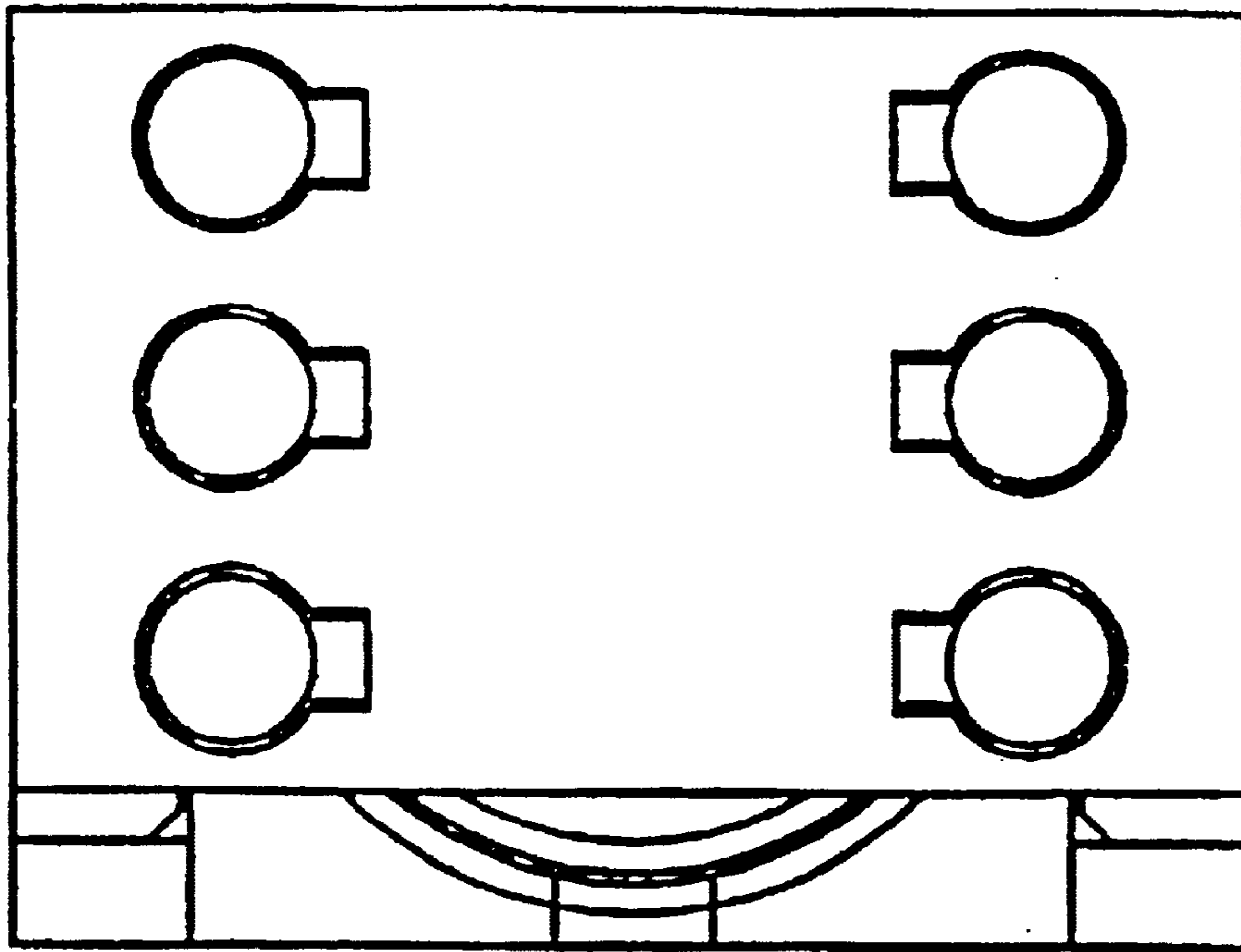


Fig. 2

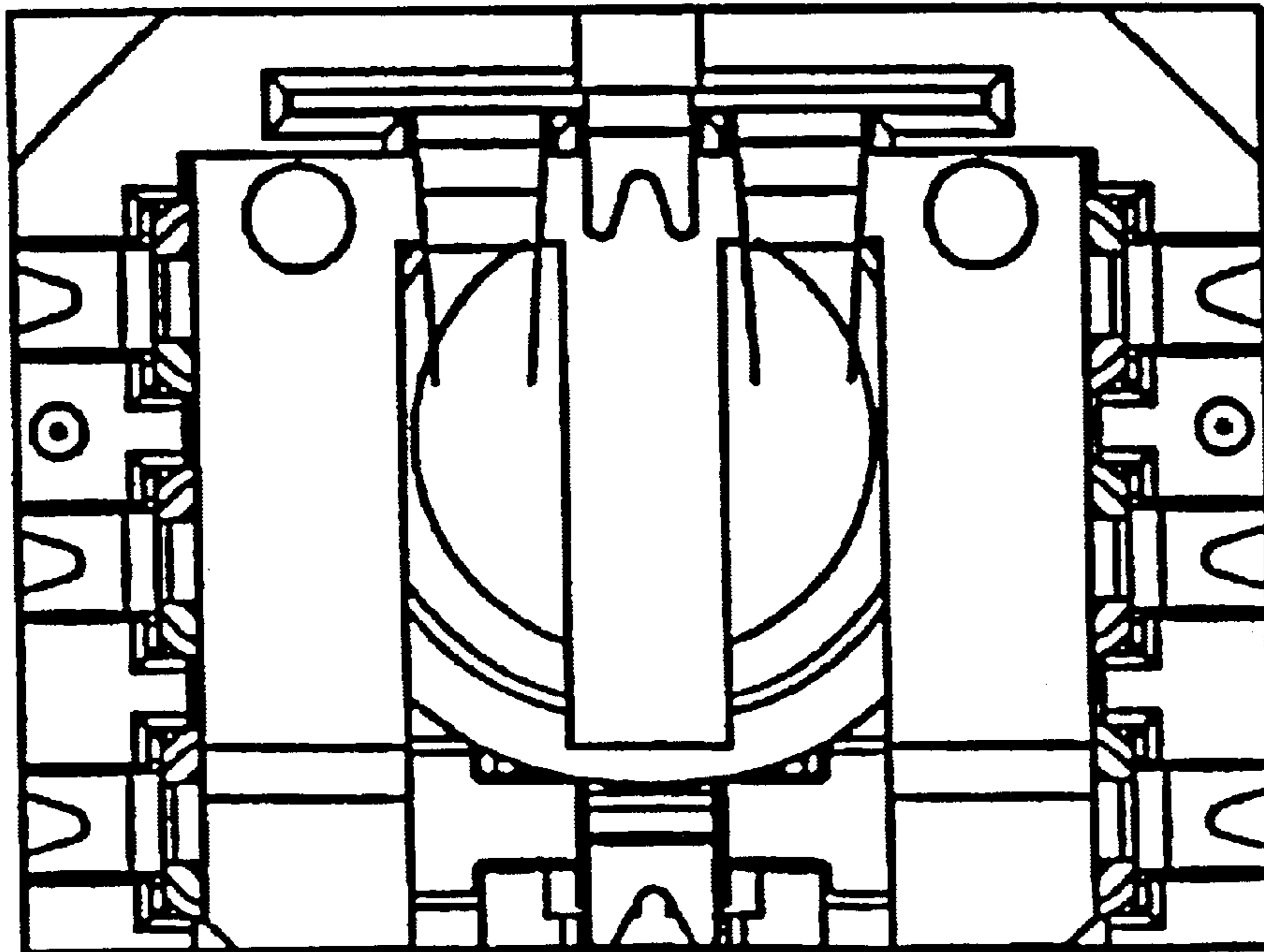


Fig. 3

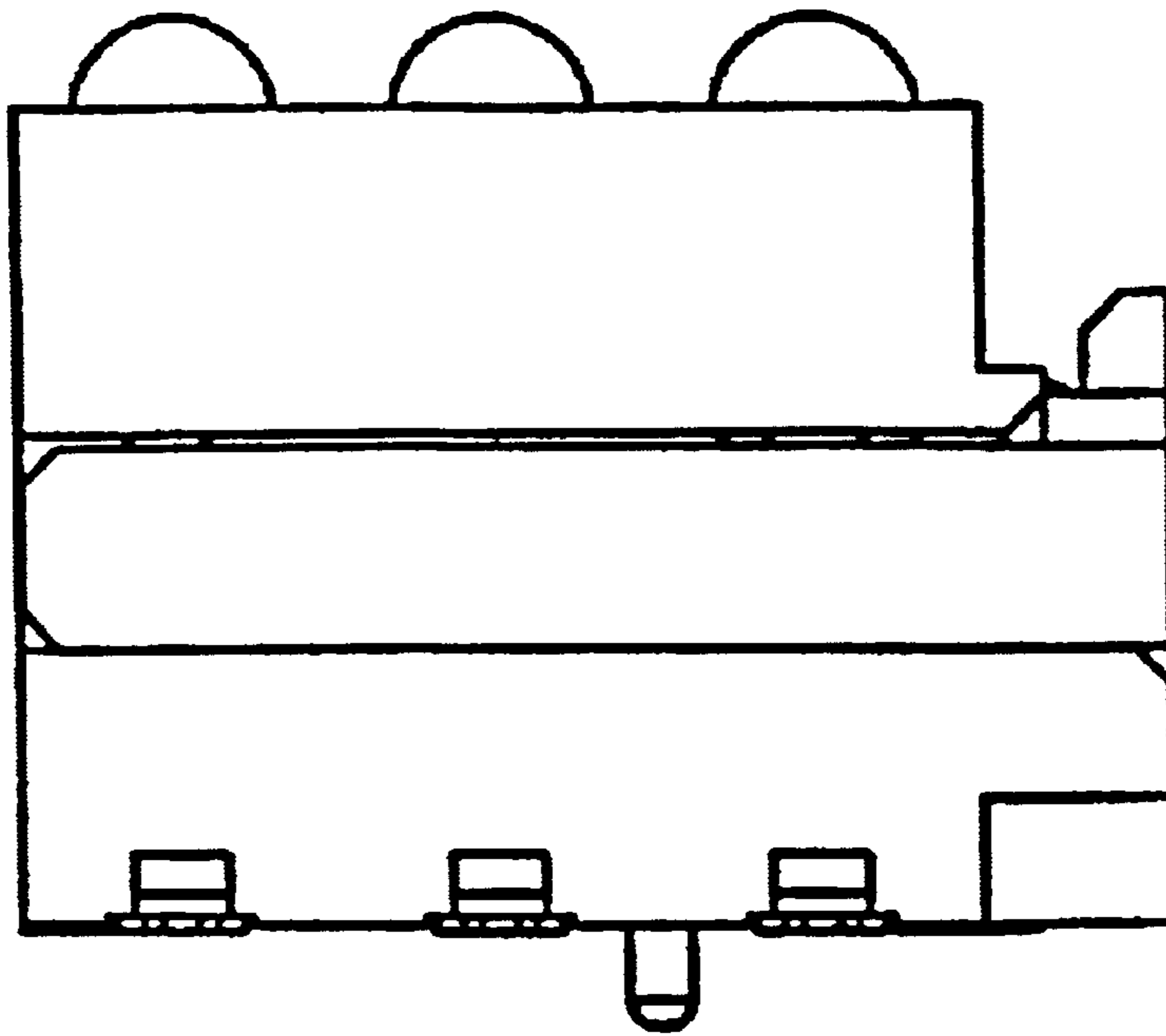


Fig. 4

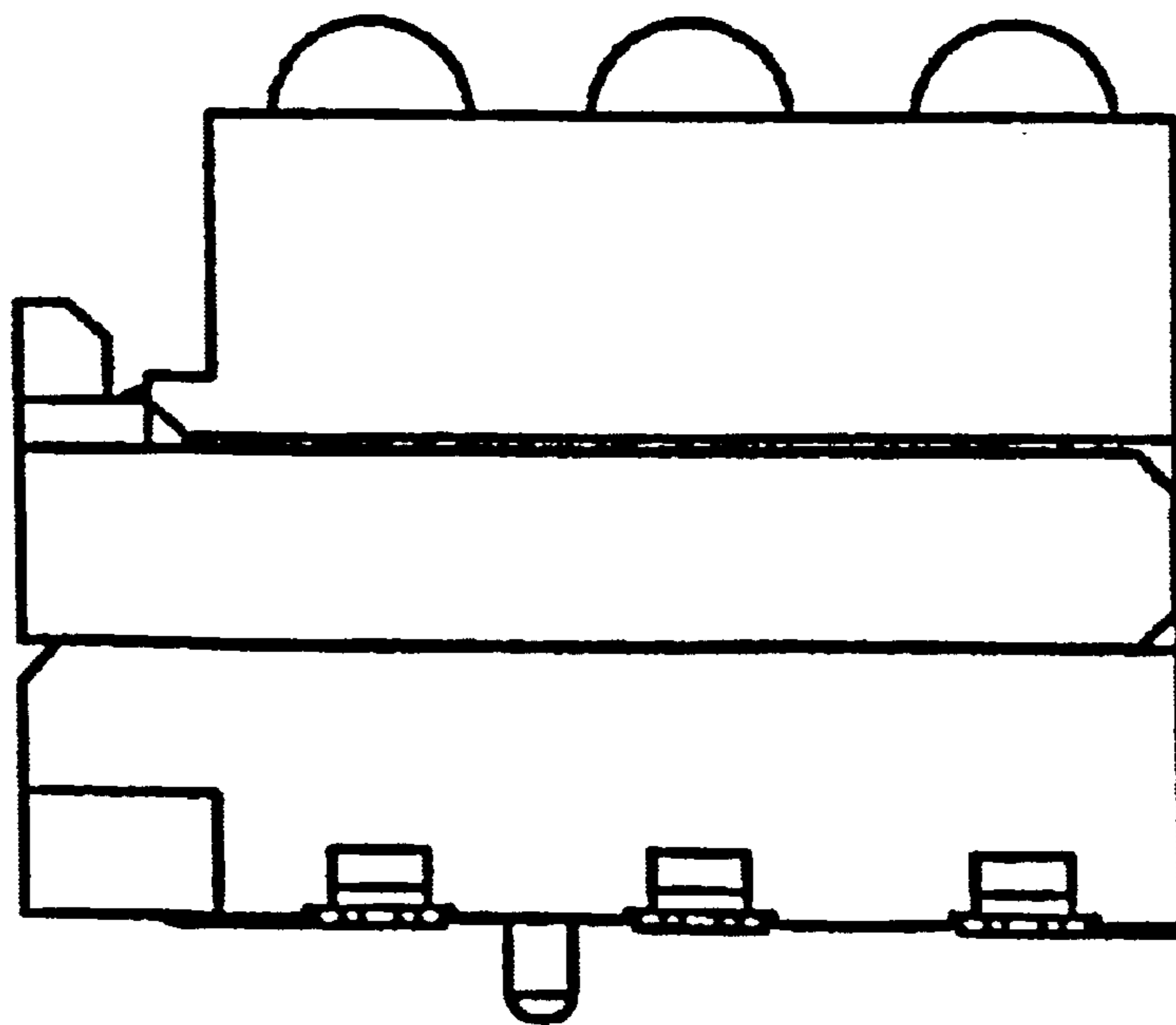


Fig. 5

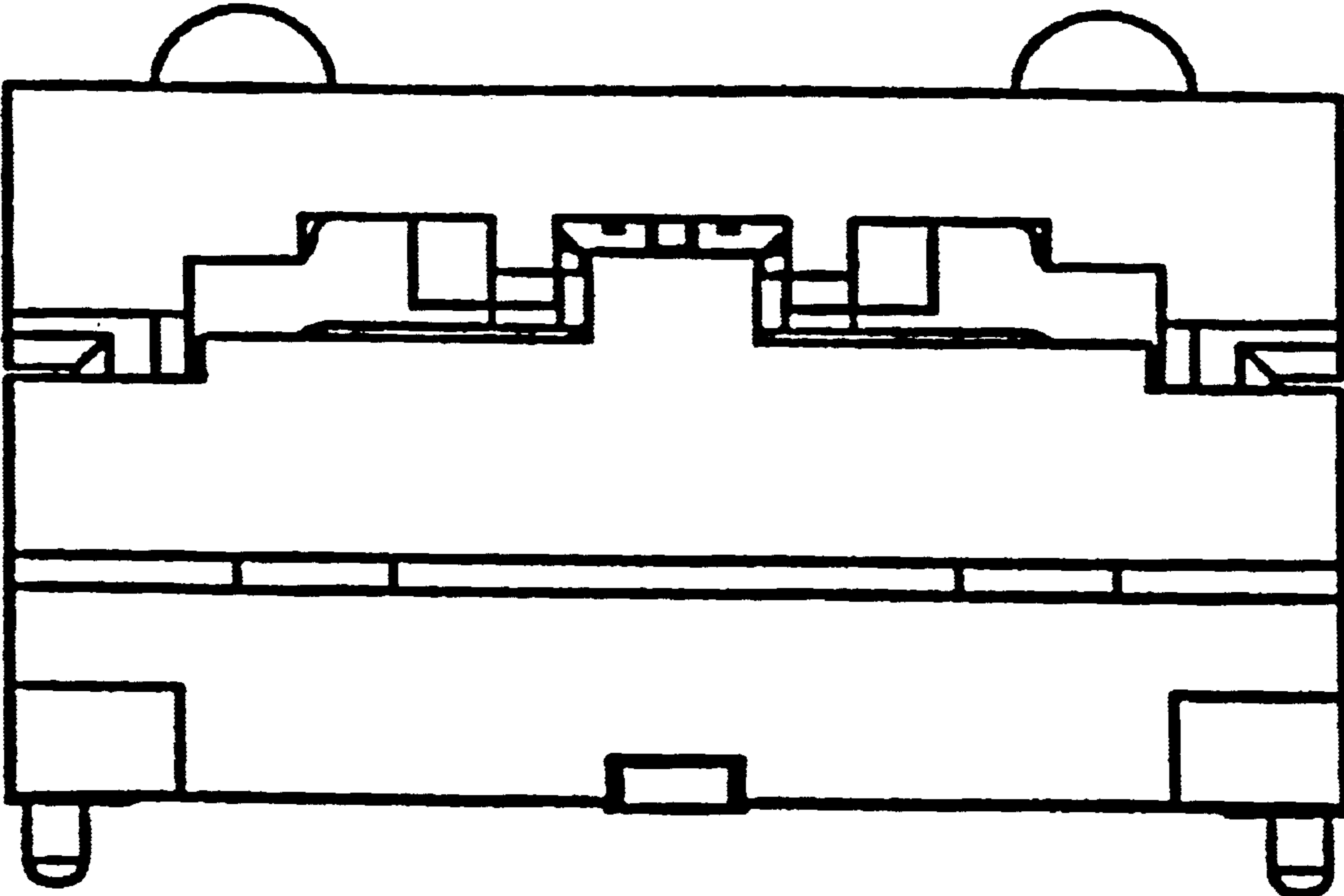


Fig. 6