

US00D494138S1

(12) **United States Design Patent**
Adams et al.

(10) **Patent No.: US D494,138 S**

(45) **Date of Patent: ** Aug. 10, 2004**

(54) **ELECTRICAL PLUG**

(75) **Inventors: Jason O. Adams, Emmaus, PA (US);
Robert Paul Stocker, Bethlehem, PA
(US); Robin C. Moseley, Macungie, PA
(US); Robert C. Newman, Jr.,
Emmaus, PA (US); Joel S. Spira,
Coopersburg, PA (US)**

(73) **Assignee: Lutron Electronics Co., Inc.,
Coopersburg, PA (US)**

(**) **Term: 14 Years**

(21) **Appl. No.: 29/183,293**

(22) **Filed: Jun. 9, 2003**

(51) **LOC (7) Cl. 13-03**

(52) **U.S. Cl. D13/138.1**

(58) **Field of Search D13/137.4, 138.1,
D13/138.2; 439/445, 484, 106, 606, 621,
622**

(56) **References Cited**

U.S. PATENT DOCUMENTS

2,759,159 A * 8/1956 Teetor 439/133

3,275,969 A * 9/1966 Sheeran 439/451
3,725,848 A * 4/1973 Davidson 439/483
5,193,665 A * 3/1993 Jankow 200/43.08
D413,861 S * 9/1999 Lai D13/138.1
D437,296 S * 2/2001 Lin et al. D13/160

* cited by examiner

Primary Examiner—Joel Sincavage

(74) *Attorney, Agent, or Firm*—Drinker Biddle & Reath
LLP

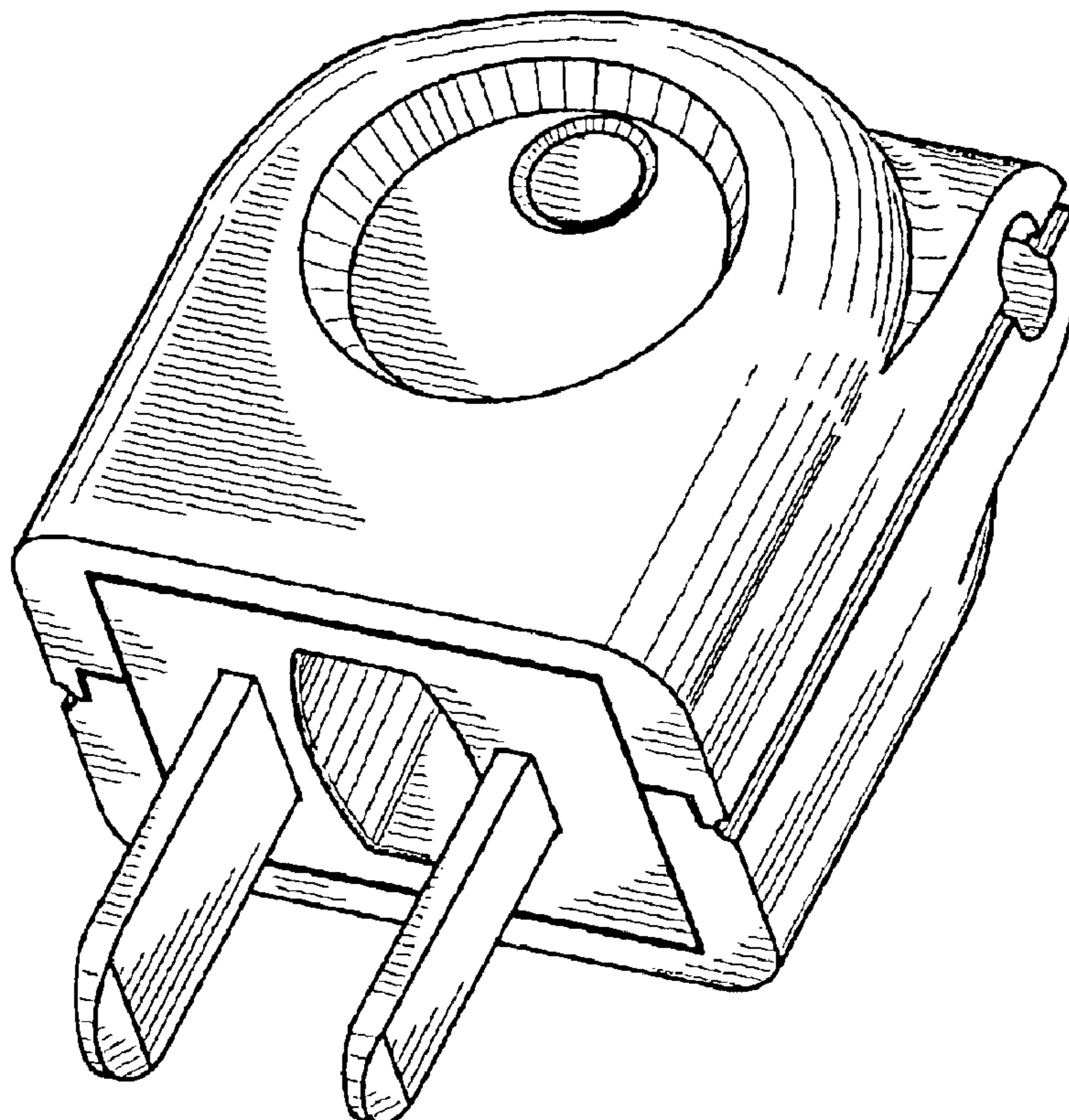
(57) **CLAIM**

The ornamental design for an electrical plug, as shown and
described.

DESCRIPTION

FIG. 1 is a perspective view of an electrical plug showing
our new design;
FIG. 2 is a top plan view of the design shown in FIG. 1;
FIG. 3 is a bottom plan view thereof;
FIG. 4 is a front elevational view thereof;
FIG. 5 is a rear elevational view thereof
FIG. 6 is a right side elevational view thereof; and,
FIG. 7 is a left side elevational view thereof.

1 Claim, 4 Drawing Sheets



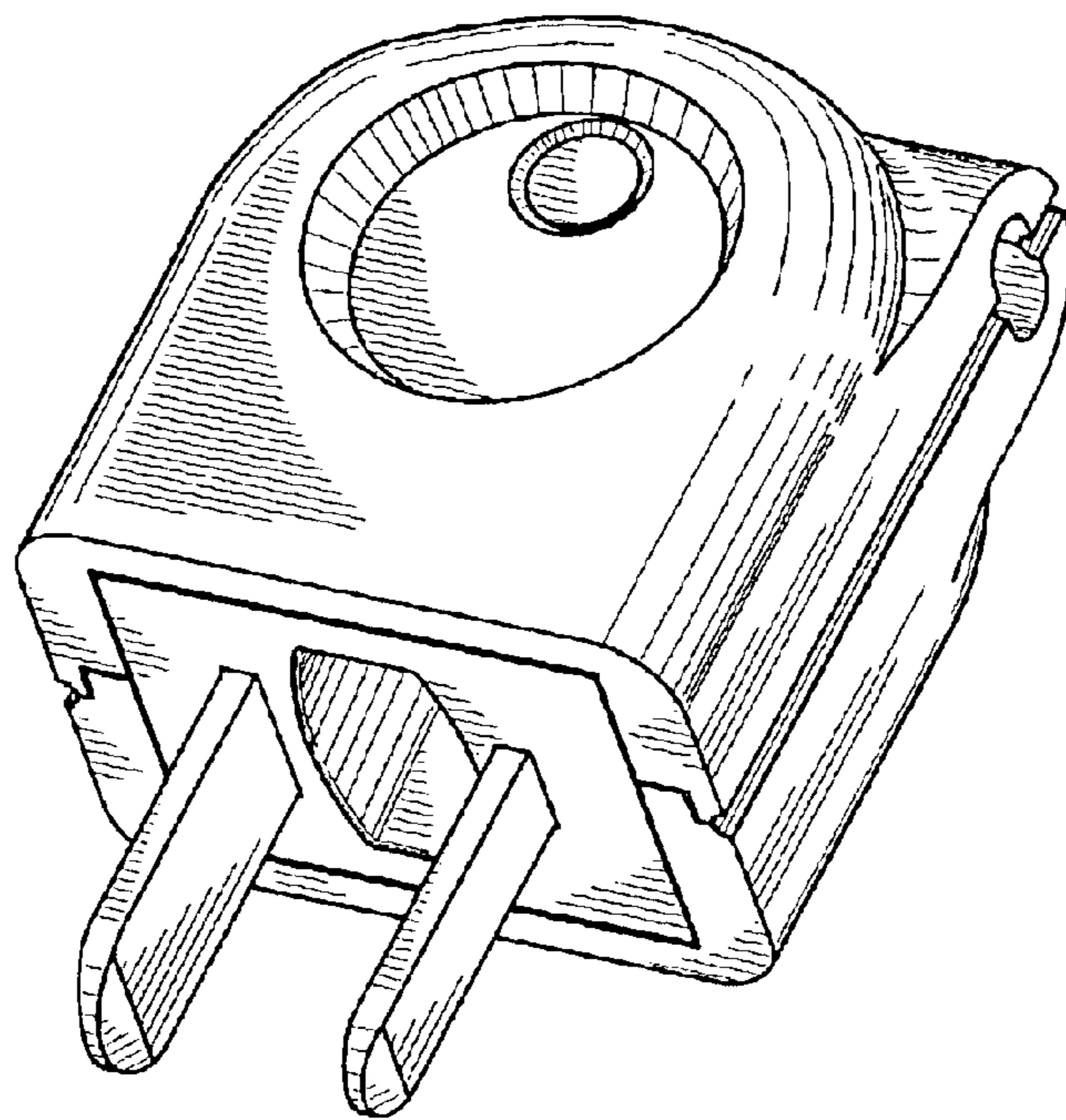


FIG. 1

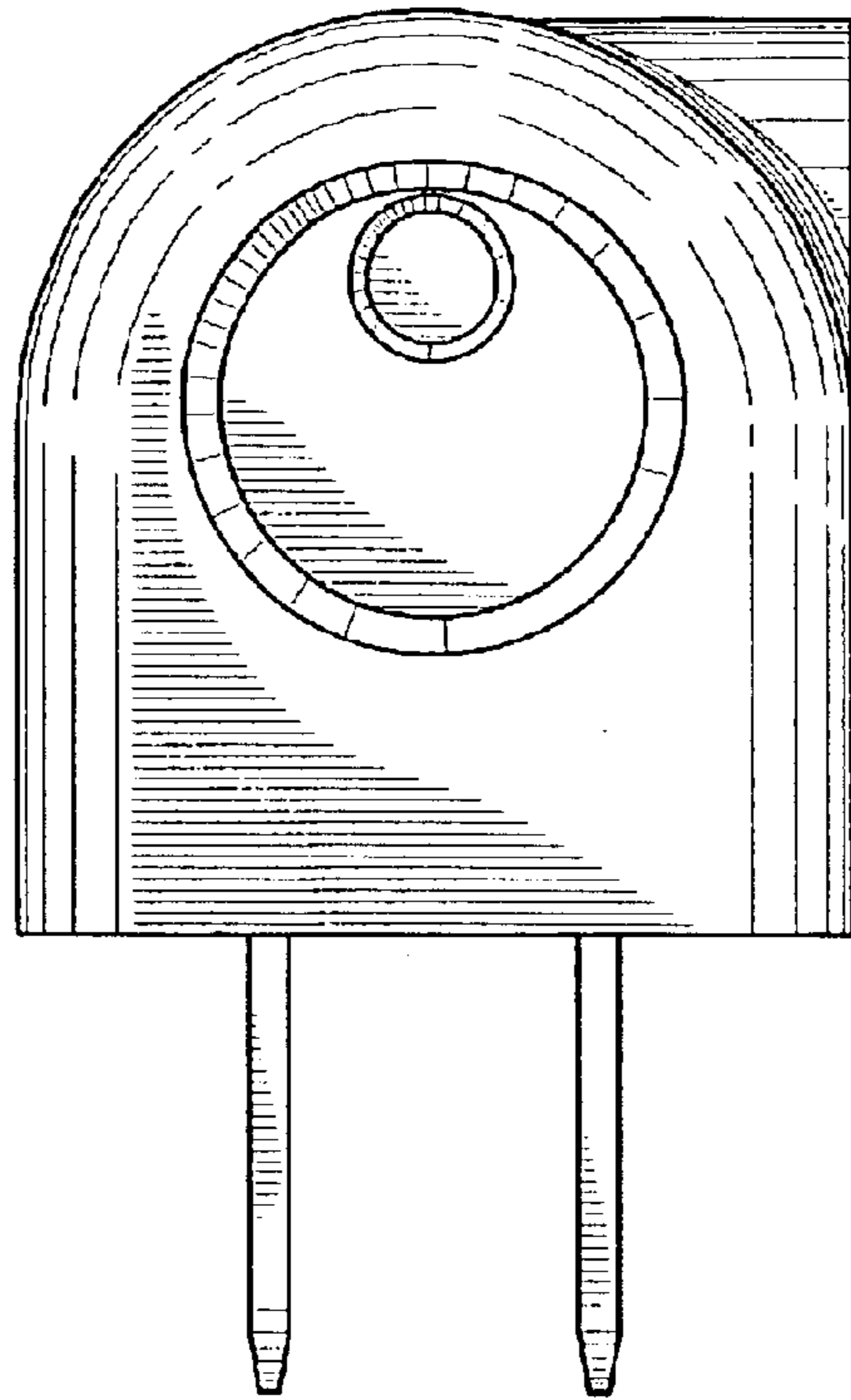


FIG. 2

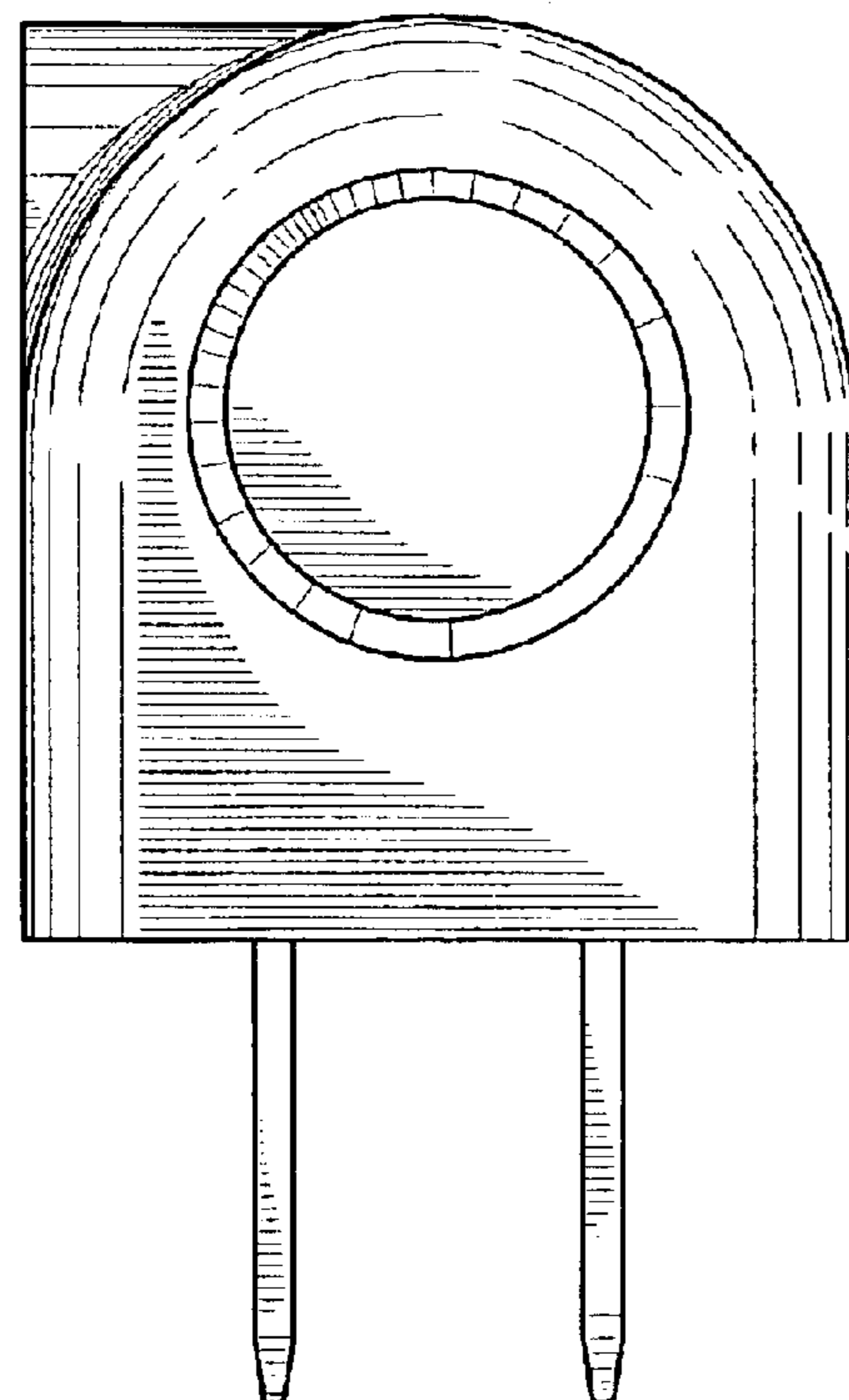


FIG. 3

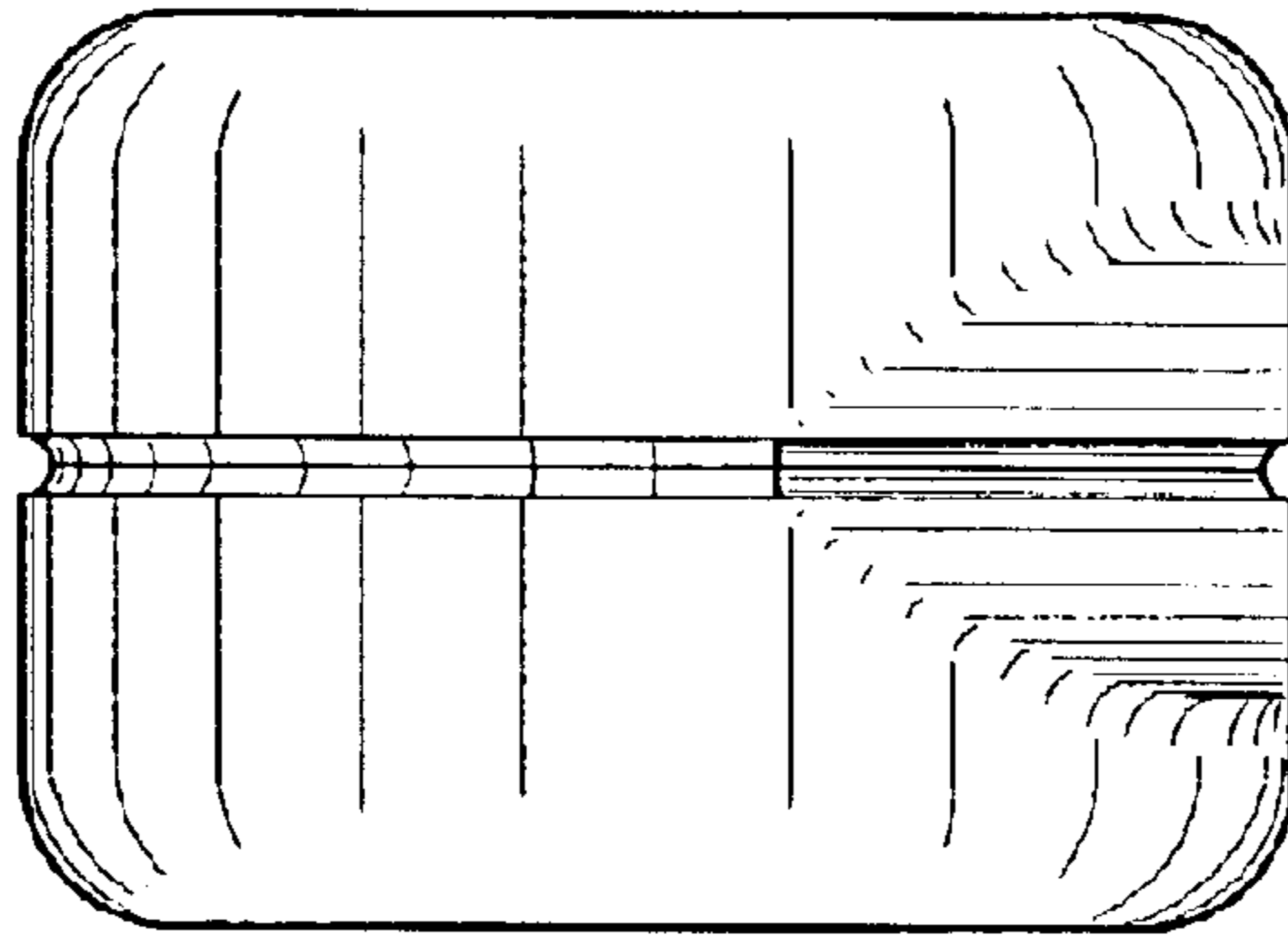


FIG. 4

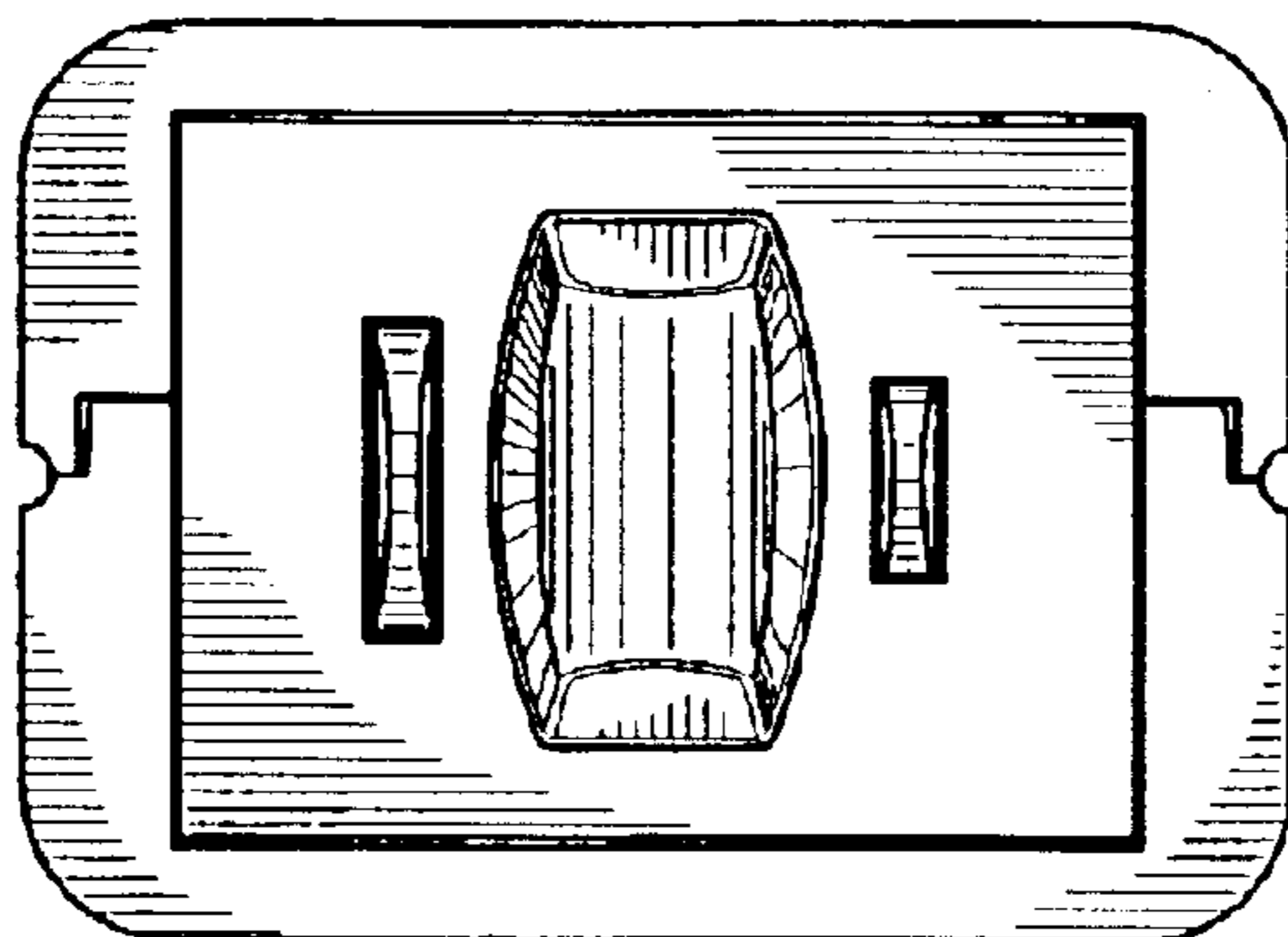


FIG. 5

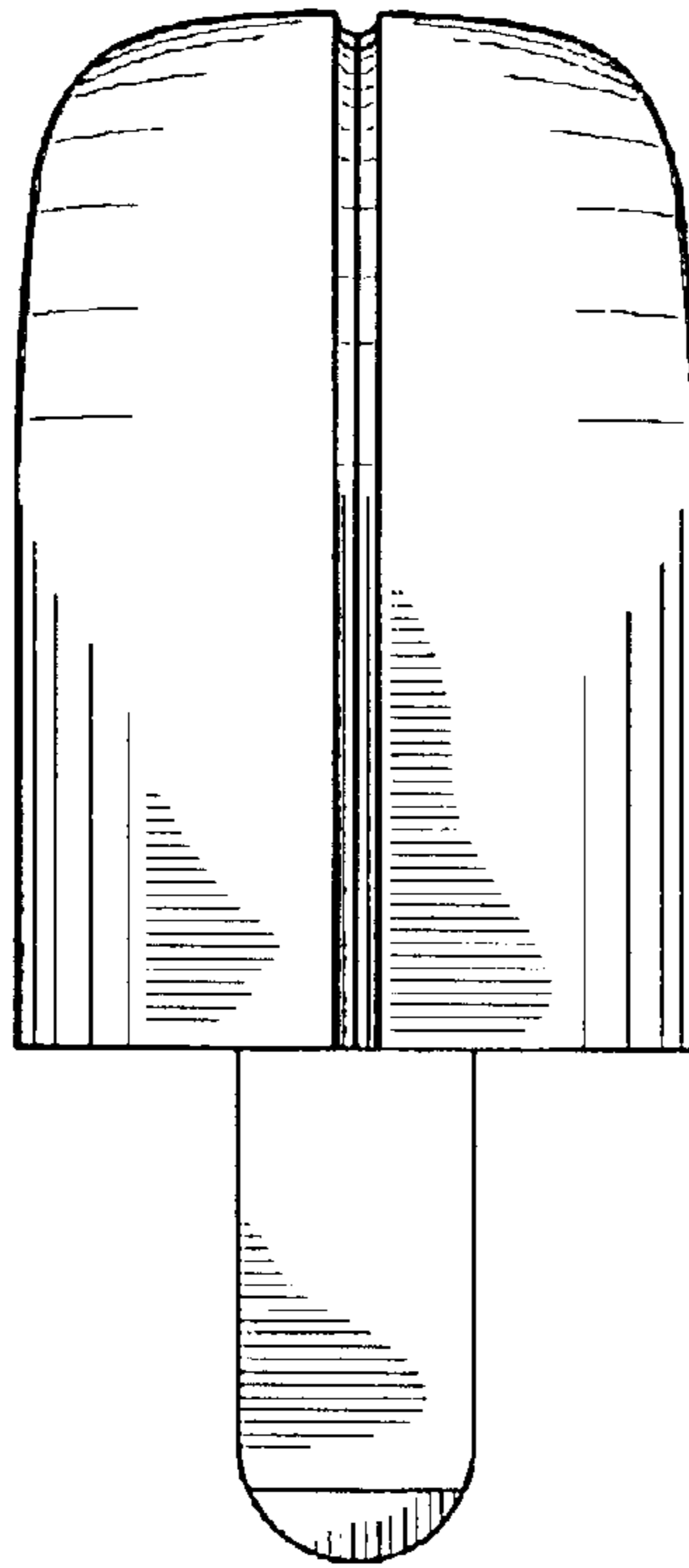


FIG. 6

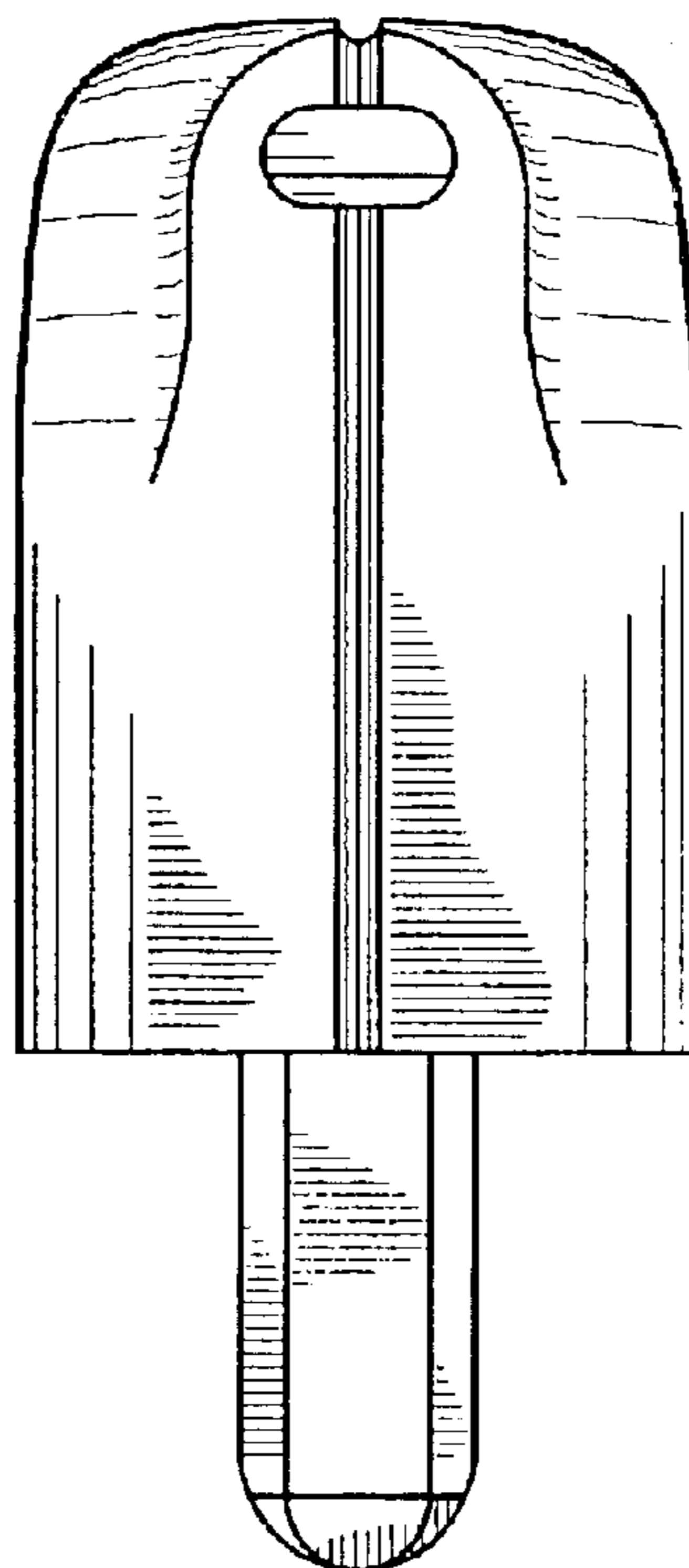


FIG. 7