

US00D494137S1

(12) **United States Design Patent**  
**Fang**

(10) **Patent No.:** **US D494,137 S**

(45) **Date of Patent:** **\*\* Aug. 10, 2004**

(54) **ELECTRICAL CONNECTOR**

(75) **Inventor:** **Hesheng Fang, Kunsan (CN)**

(73) **Assignee:** **Hon Hai Precision Ind. Co., Ltd.,  
Taipei Hsien (TW)**

(\*\*) **Term:** **14 Years**

(21) **Appl. No.:** **29/172,869**

(22) **Filed:** **Dec. 17, 2002**

(30) **Foreign Application Priority Data**

Dec. 10, 2002 (TW) ..... 91307194

(51) **LOC (7) Cl. .... 13-03**

(52) **U.S. Cl. .... D13/133**

(58) **Field of Search** ..... D13/133; 439/188,  
439/668, 669, 939, 607

(56) **References Cited**

**U.S. PATENT DOCUMENTS**

- 4,611,878 A \* 9/1986 Hall et al. .... 439/610
- 4,995,819 A \* 2/1991 Ohl ..... 439/79
- 5,192,228 A \* 3/1993 Collins et al. .... 439/607 X
- 5,281,169 A \* 1/1994 Kiat et al. .... 439/607

- 5,288,248 A \* 2/1994 Chen ..... 439/607 X
- D416,862 S \* 11/1999 Chiou ..... D13/146
- 6,007,379 A \* 12/1999 Michaelis et al. .... 439/607
- 6,287,147 B1 \* 9/2001 Lin ..... 439/607

\* cited by examiner

*Primary Examiner*—Joel Sincavage

(74) *Attorney, Agent, or Firm*—Wei Te Chung

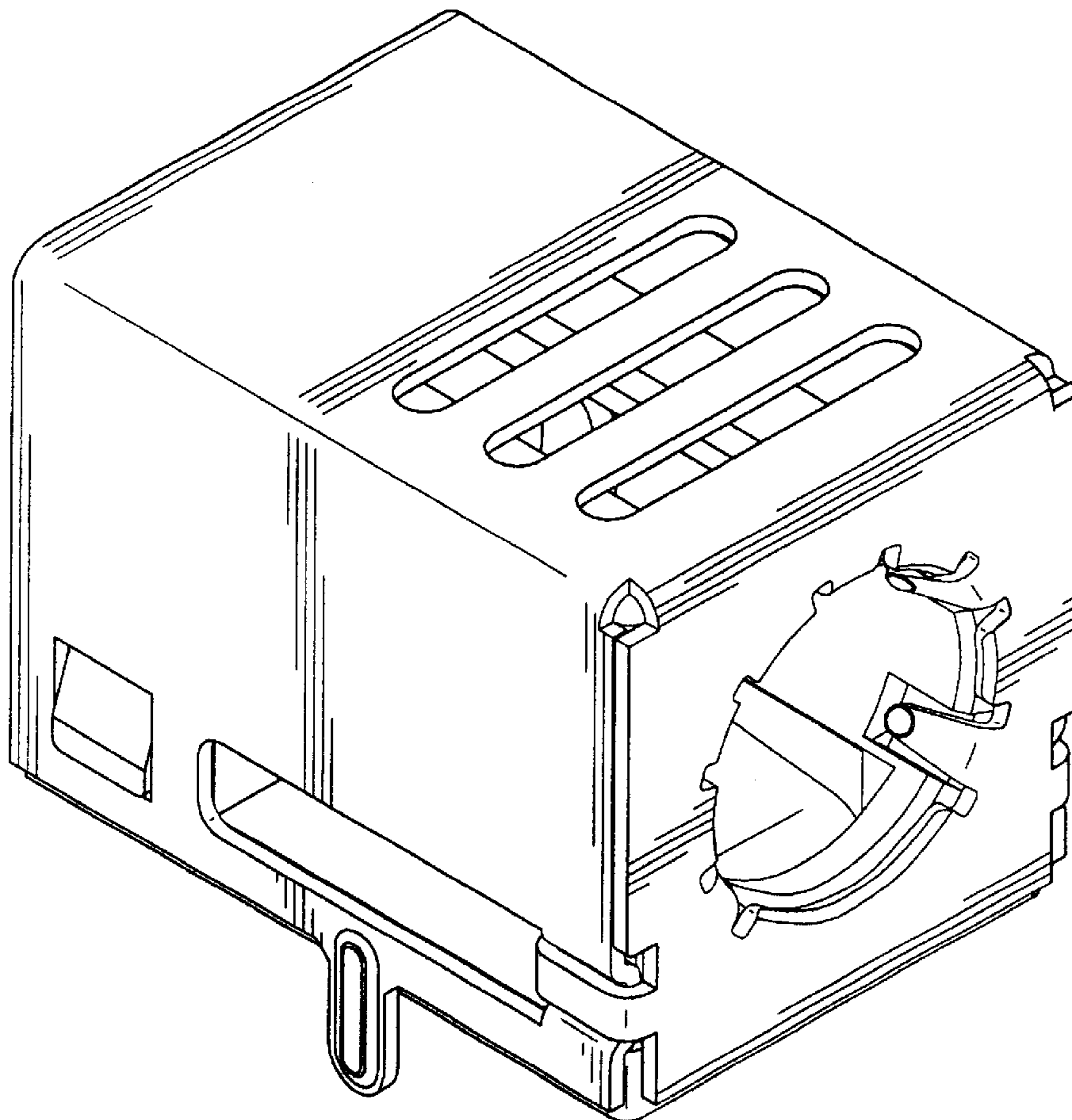
(57) **CLAIM**

The ornamental design for an electrical connector, as shown and described.

**DESCRIPTION**

FIG. 1 is a front, top and left side perspective view of an electrical connector showing my new design; FIG. 2 is a front elevational view of FIG. 1; FIG. 3 is a rear elevational view of FIG. 1; FIG. 4 is a left side elevational view of FIG. 1; FIG. 5 is a right side elevational view of FIG. 1; FIG. 6 is a top plan view of FIG. 1; and, FIG. 7 is a bottom plan view of FIG. 1. The broken lines in FIGS. 2, 3 and 7 are included for the purpose of illustrating portions of the connector that form no part of the claimed design.

**1 Claim, 7 Drawing Sheets**



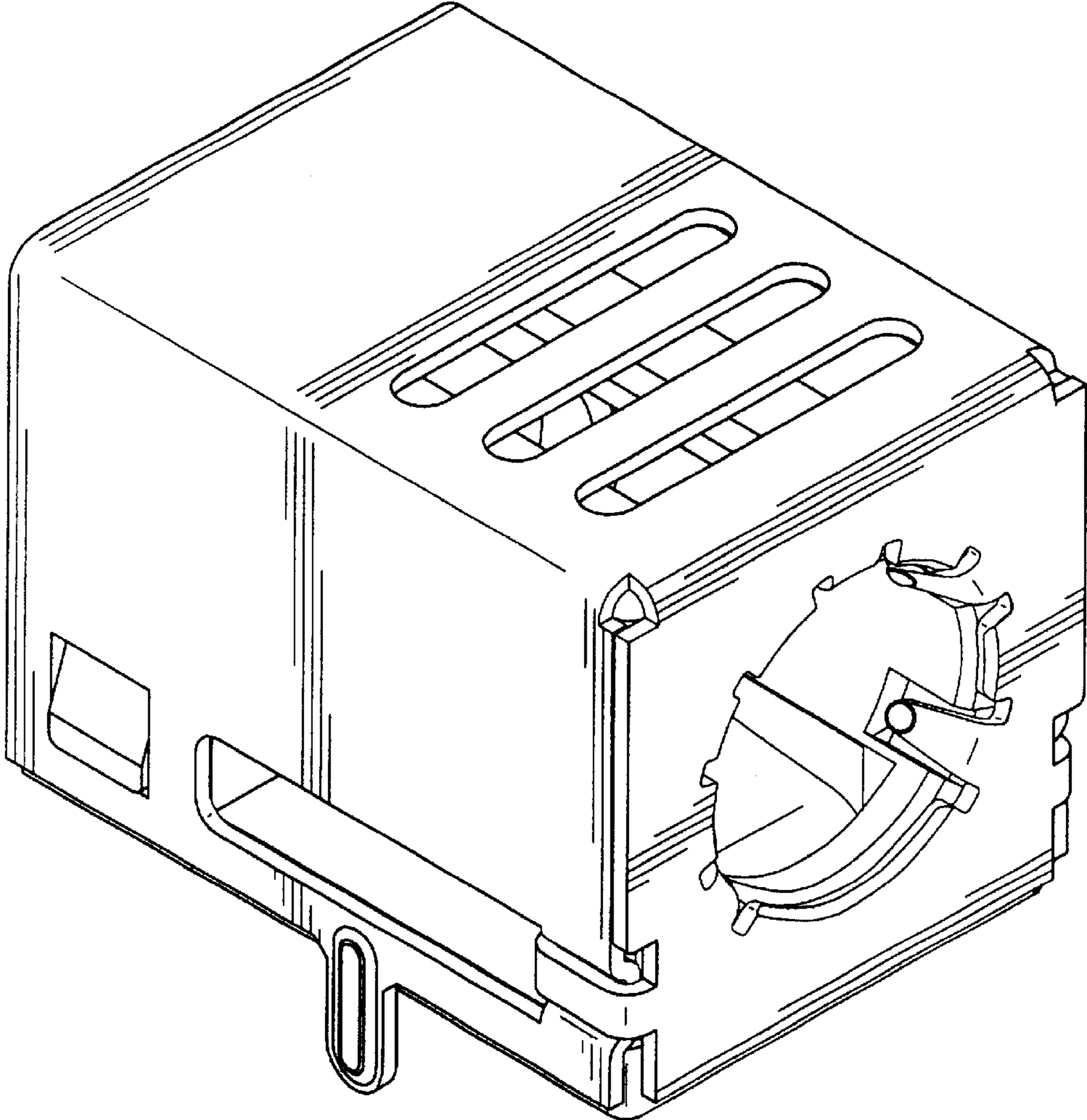


FIG. 1

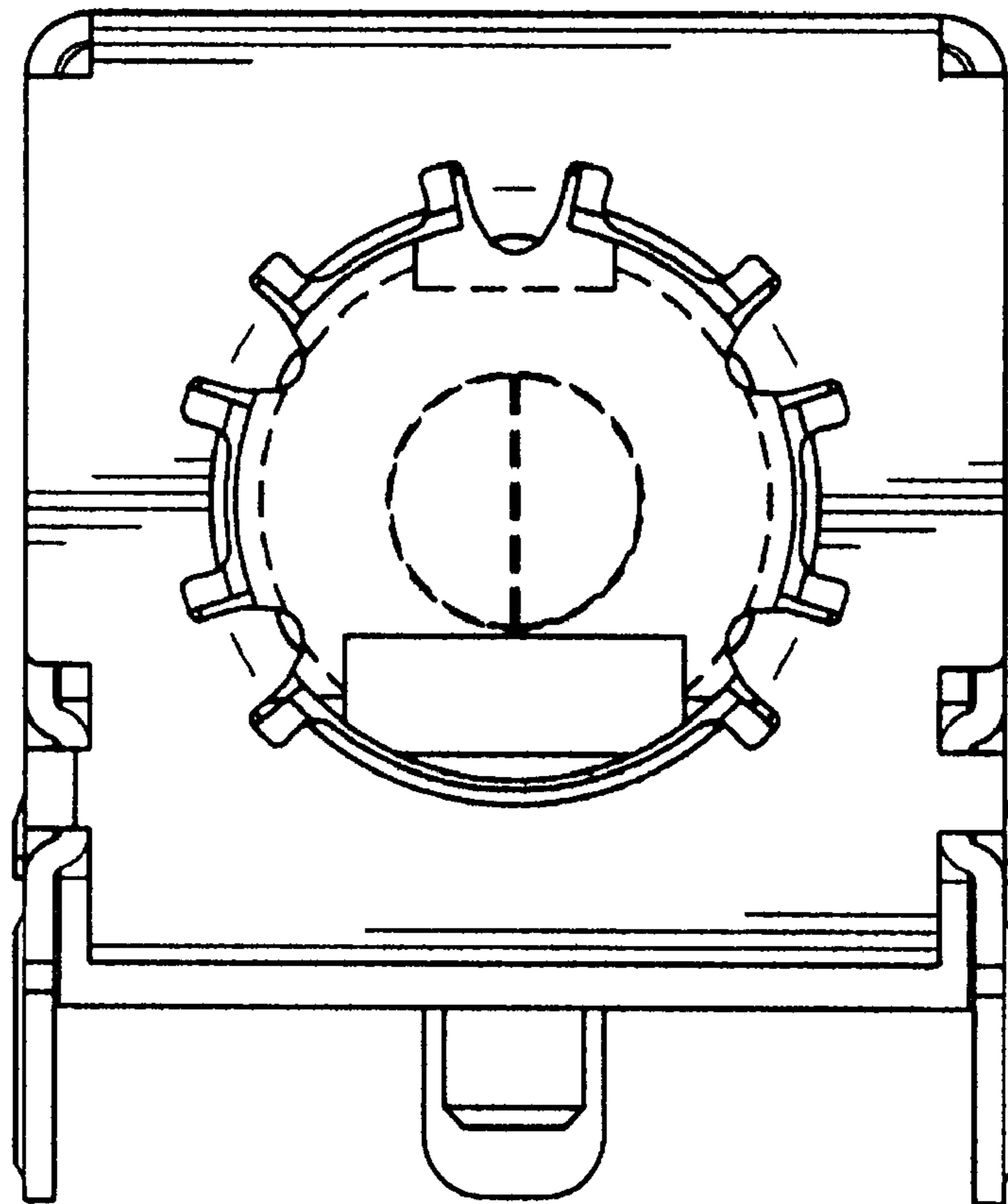


FIG. 2

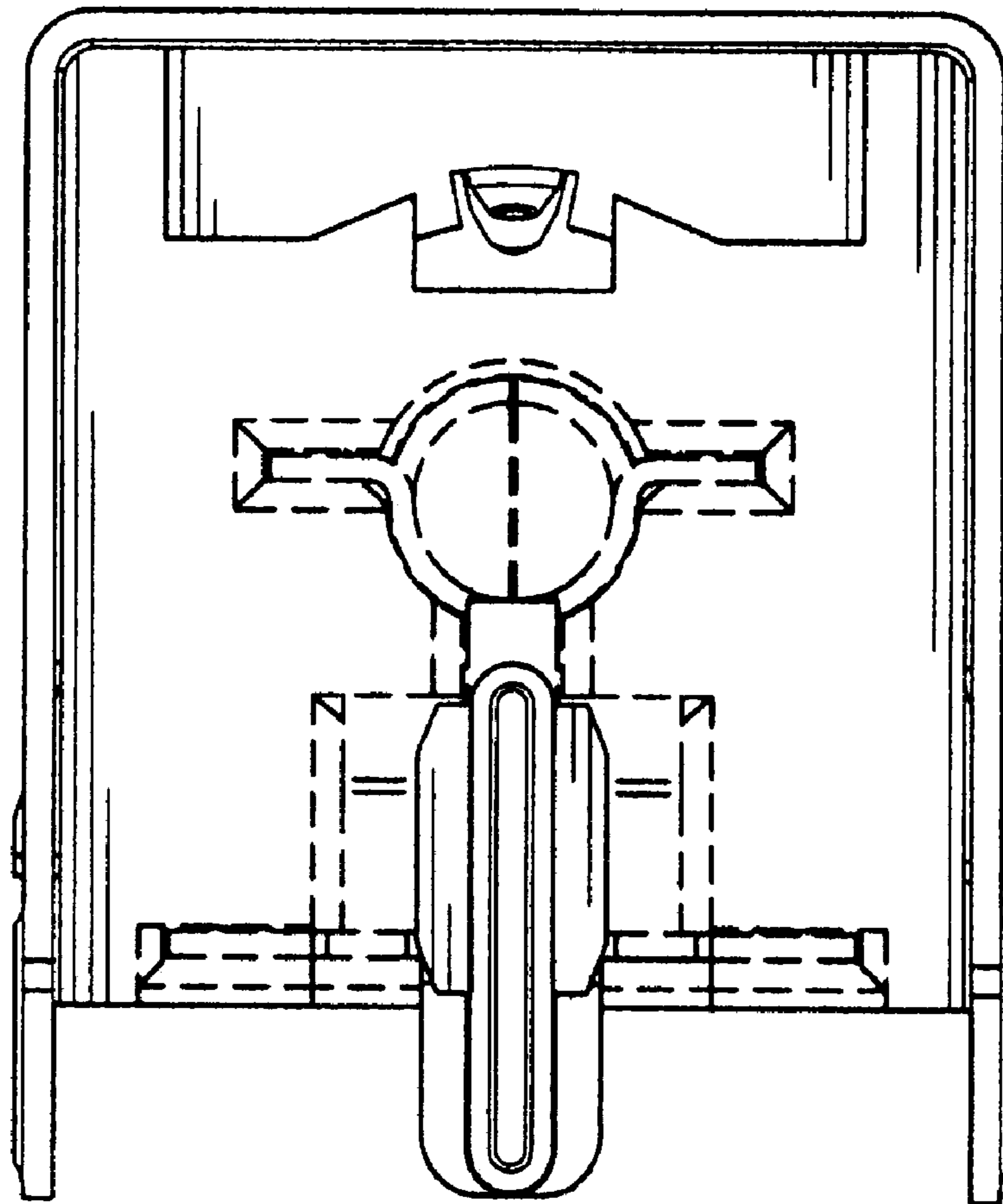


FIG. 3

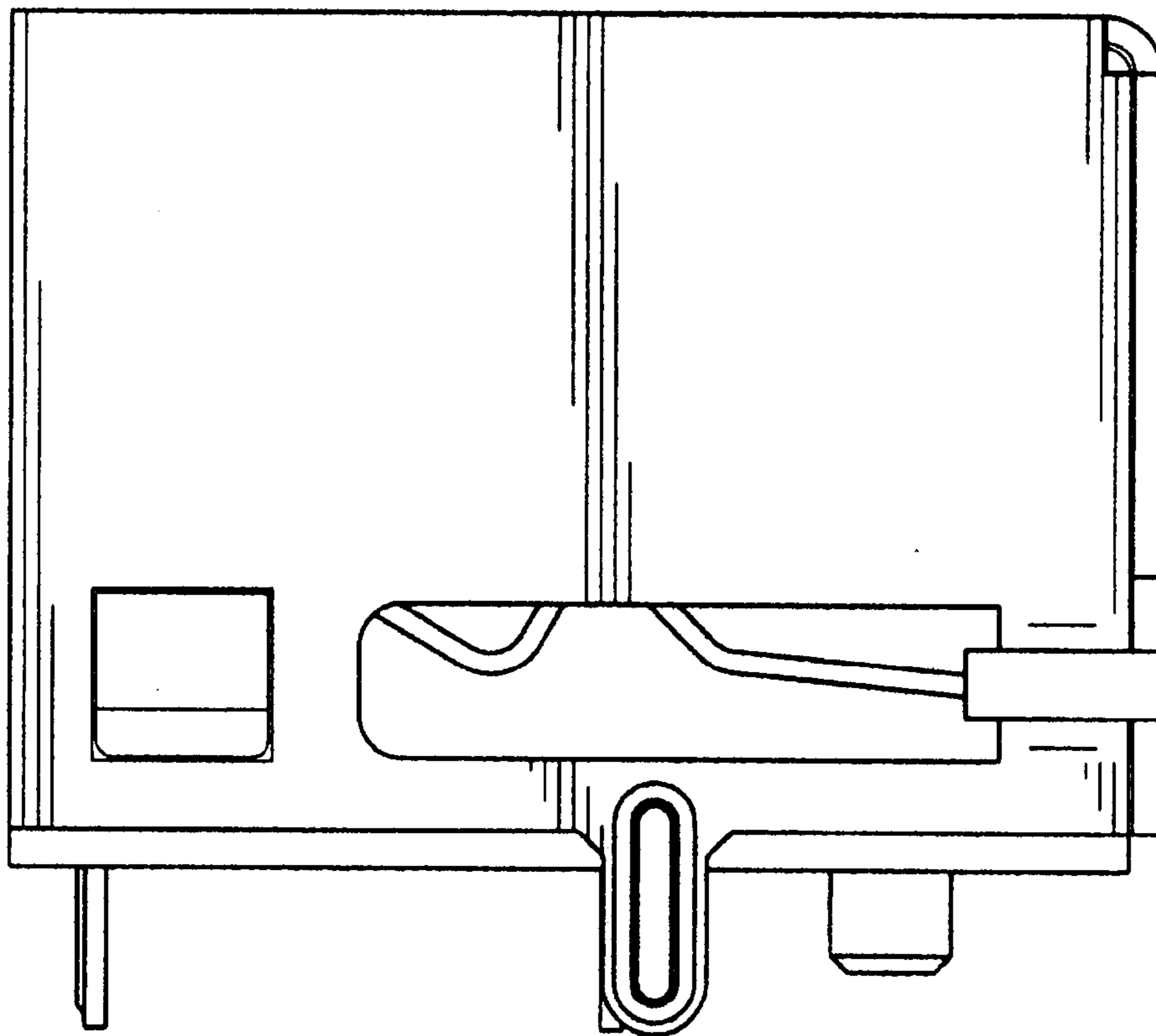


FIG. 4

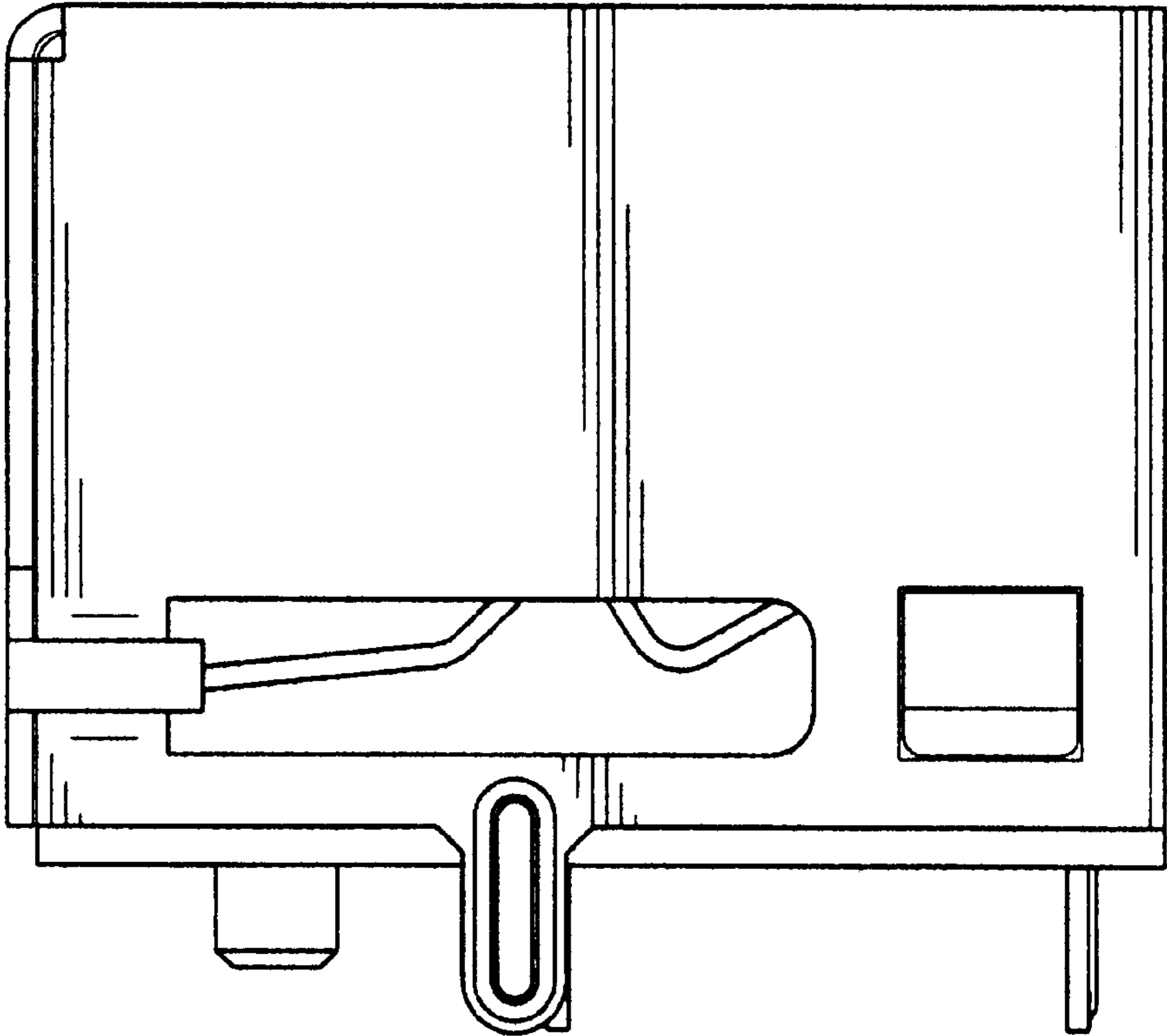


FIG. 5

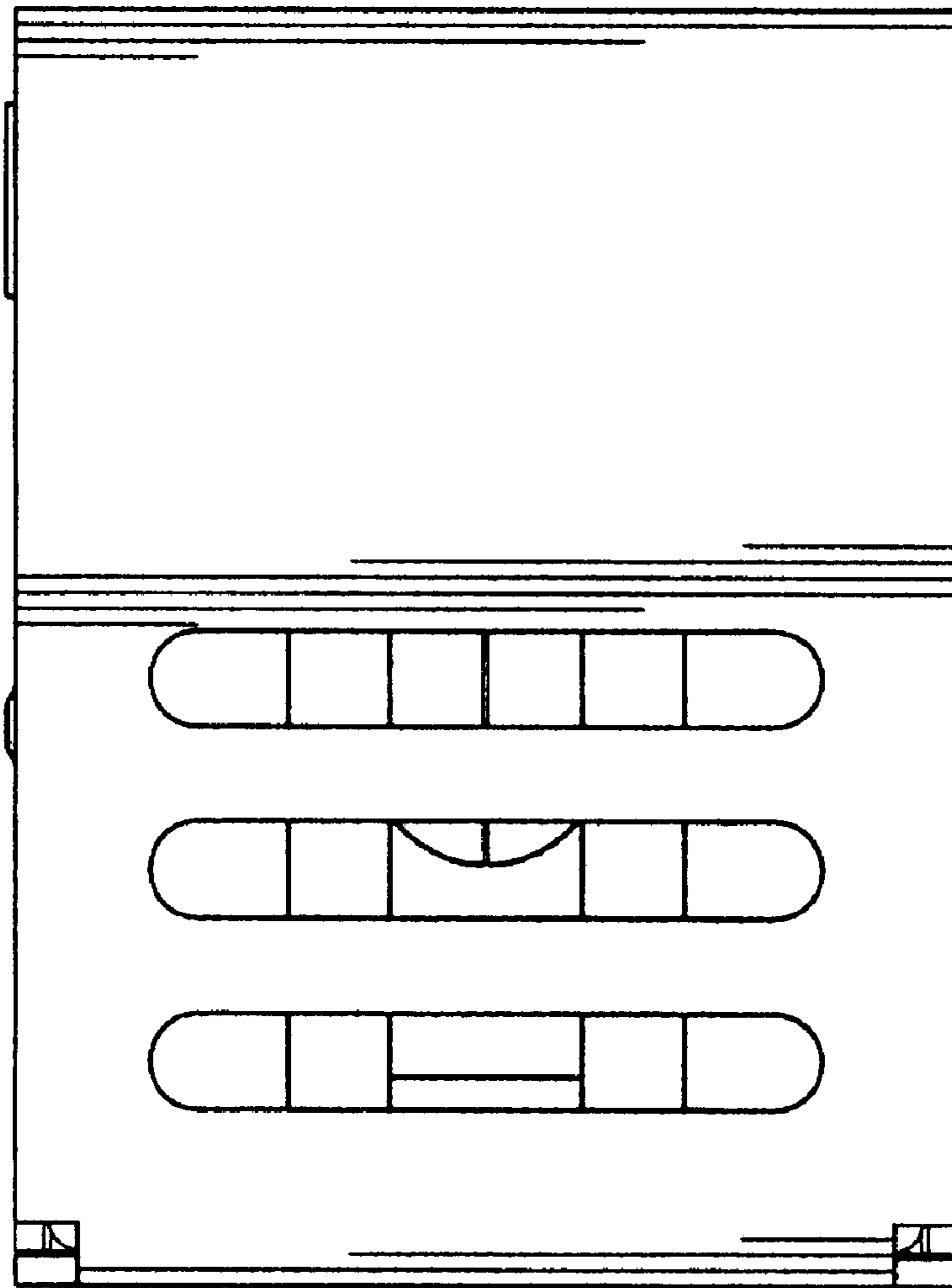


FIG. 6



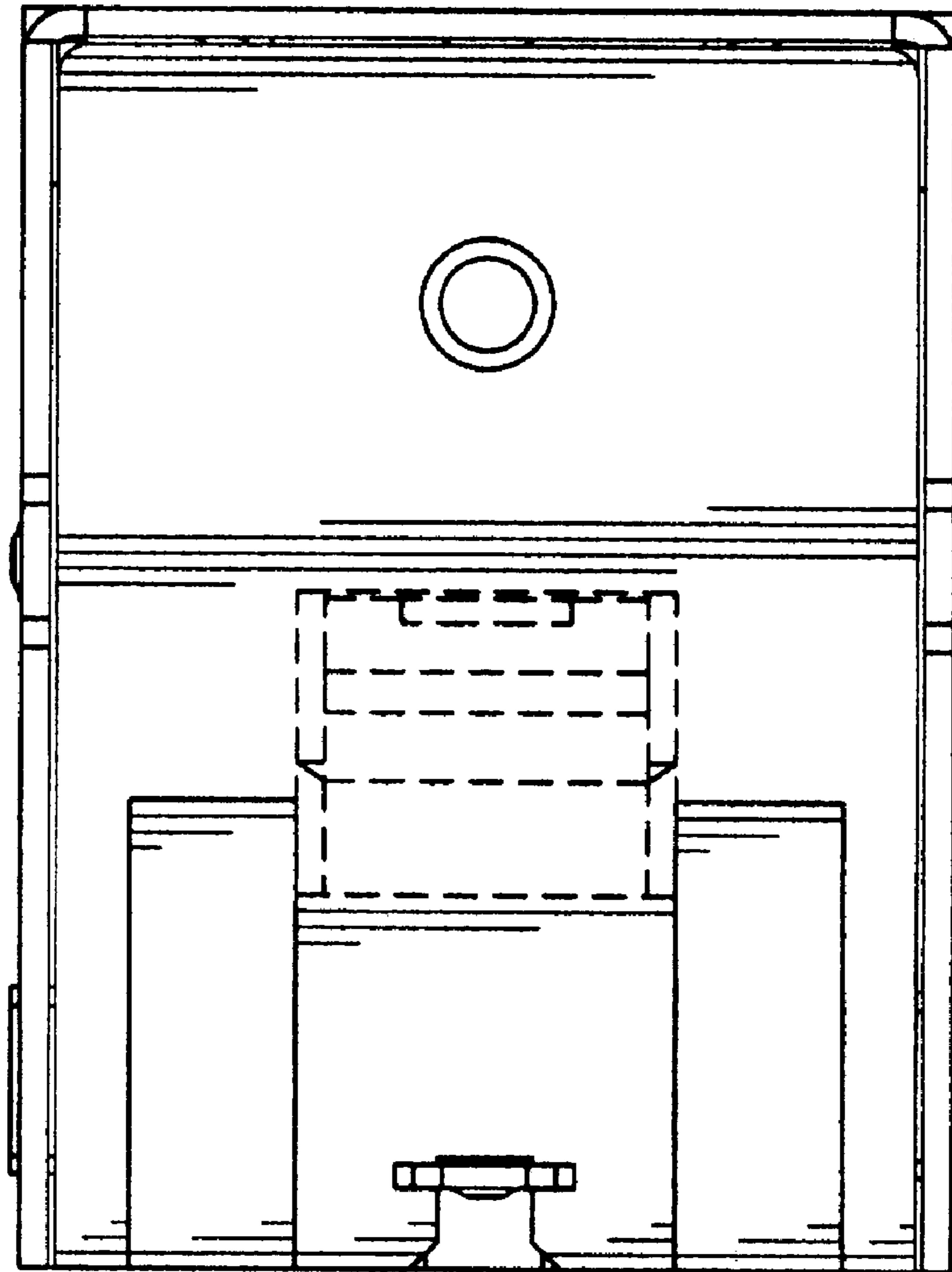


FIG. 7