

US00D494136S1

(12) **United States Design Patent**
Vesecky

(10) **Patent No.: US D494,136 S**

(45) **Date of Patent: ** Aug. 10, 2004**

(54) **SPARK PLUG**

(76) **Inventor: Justin P. Vesecky, 4610 Reka Dr. #A-9, Anchorage, AK (US) 99508**

(**) **Term: 14 Years**

(21) **Appl. No.: 29/186,509**

(22) **Filed: Jul. 17, 2003**

(51) **LOC (7) Cl. 13-03**

(52) **U.S. Cl. D13/123**

(58) **Field of Search D13/123; 313/118, 313/141, 142, 143, 144, 122, 123, 128**

(56) **References Cited**

U.S. PATENT DOCUMENTS

D99,869 S	*	6/1936	Jackson	D13/127
D141,138 S	*	5/1945	Bowes et al.	D13/127
D180,302 S	*	5/1957	Thomas et al.	D13/127
3,079,453 A	*	2/1963	Clark	123/169 V
3,236,344 A		2/1966	Wawrzynick et al.		
3,239,710 A	*	3/1966	Toporzysek	313/143
D238,678 S	*	2/1976	Hornsby	D13/127
4,210,103 A		7/1980	Dimitroff et al.		
4,427,914 A	*	1/1984	Mizuno et al.	313/130
4,659,960 A		4/1987	Toya et al.		
5,113,806 A	*	5/1992	Rodart	123/25 P

5,189,333 A	2/1993	Kagawa et al.	313/140
5,215,051 A	6/1993	Smith		
5,527,198 A	6/1996	Chiu et al.	445/7
5,731,655 A	3/1998	Corrado	313/138
5,898,257 A	*	4/1999	Sequerra et al. 313/141
6,097,136 A	*	8/2000	Oh 313/141
6,215,233 B1	*	4/2001	Matsubara 313/118
6,320,317 B1	*	11/2001	Keller et al. 315/46
6,455,988 B1	*	9/2002	Weber et al. 313/141

* cited by examiner

Primary Examiner—Philip S. Hyder

(74) *Attorney, Agent, or Firm*—Donald R. Schoonover

(57) **CLAIM**

I claim the ornamental design for a spark plug, as shown and described.

DESCRIPTION

FIG. 1 is a perspective view of a spark plug showing my new design;

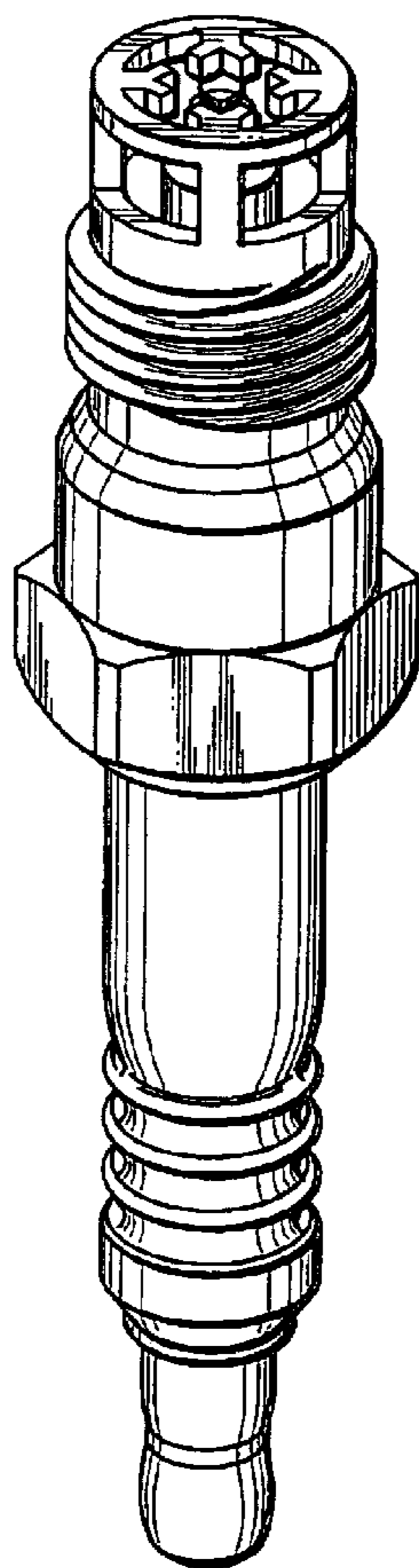
FIG. 2 is a front elevational view thereof; the rear, right side and left side elevational views being identical thereto;

FIG. 3 is a side elevational view intermediate to the views of FIG. 2;

FIG. 4 is a top plan view thereof; and,

FIG. 5 is a bottom plan view thereof.

1 Claim, 2 Drawing Sheets



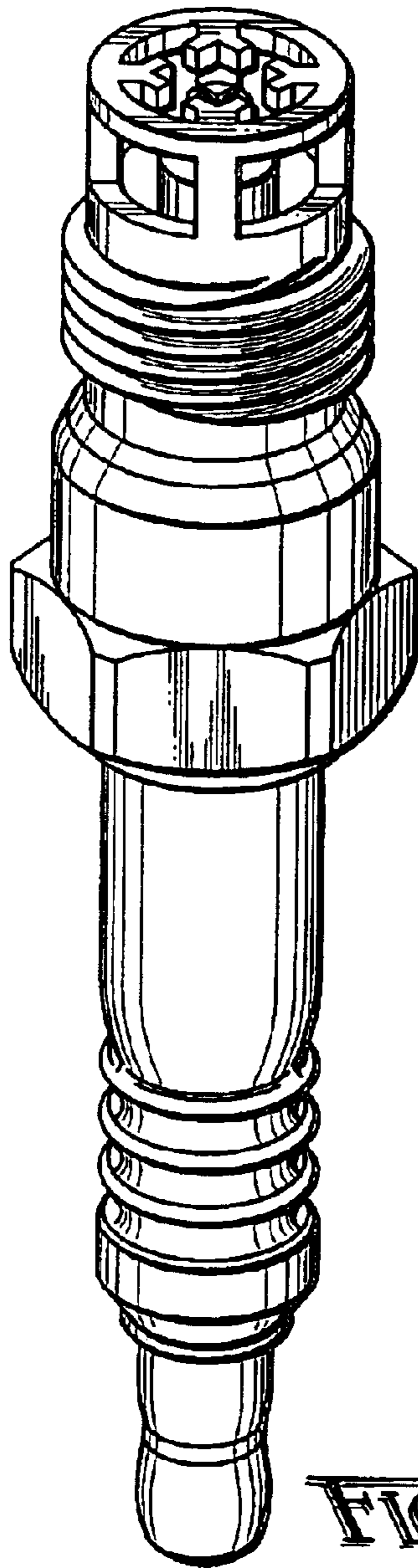


FIG. 1

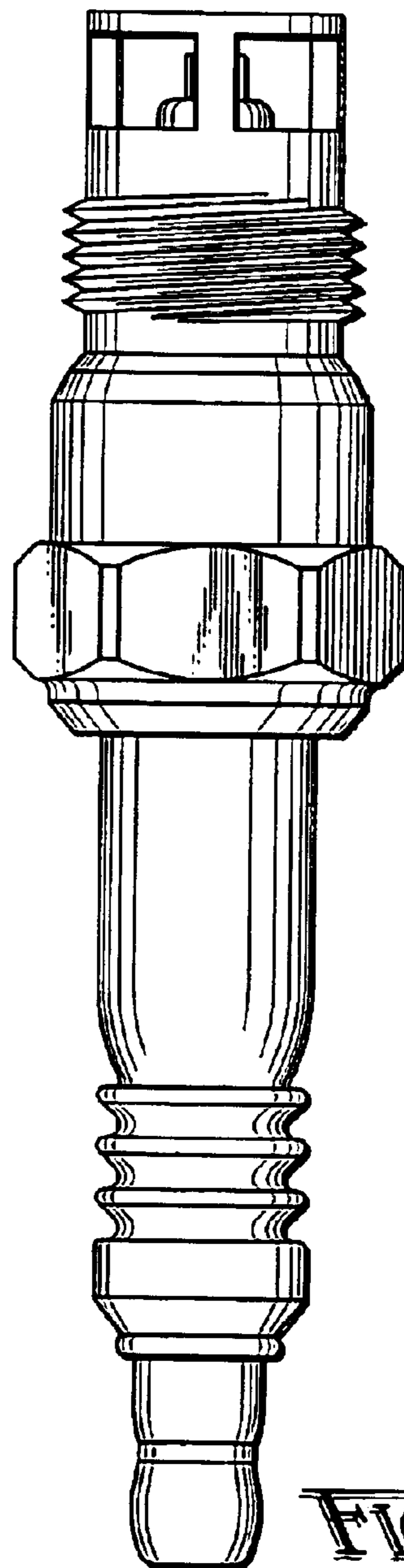


FIG. 2

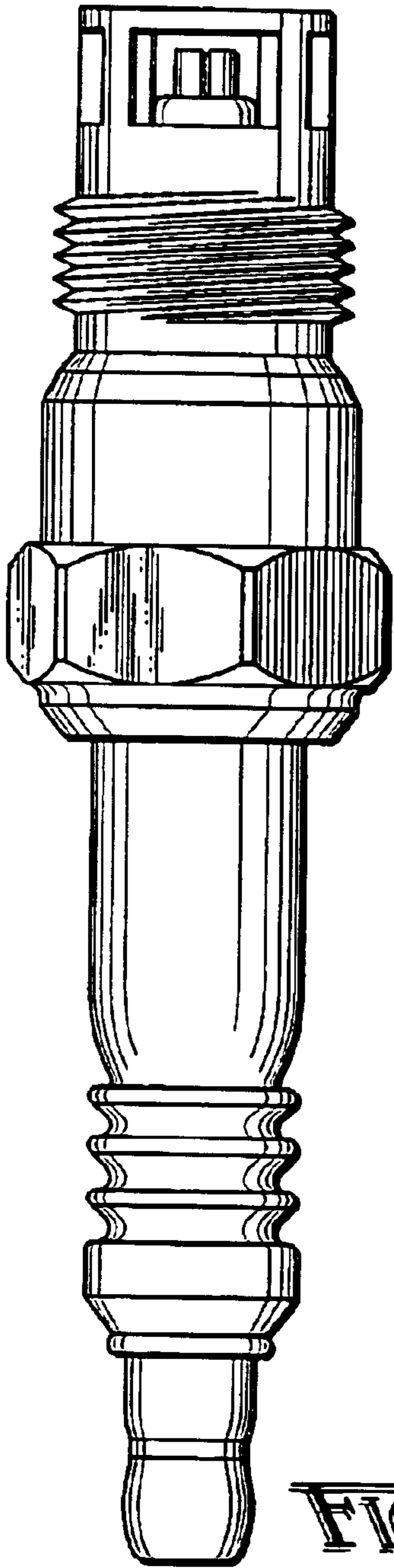


FIG. 3

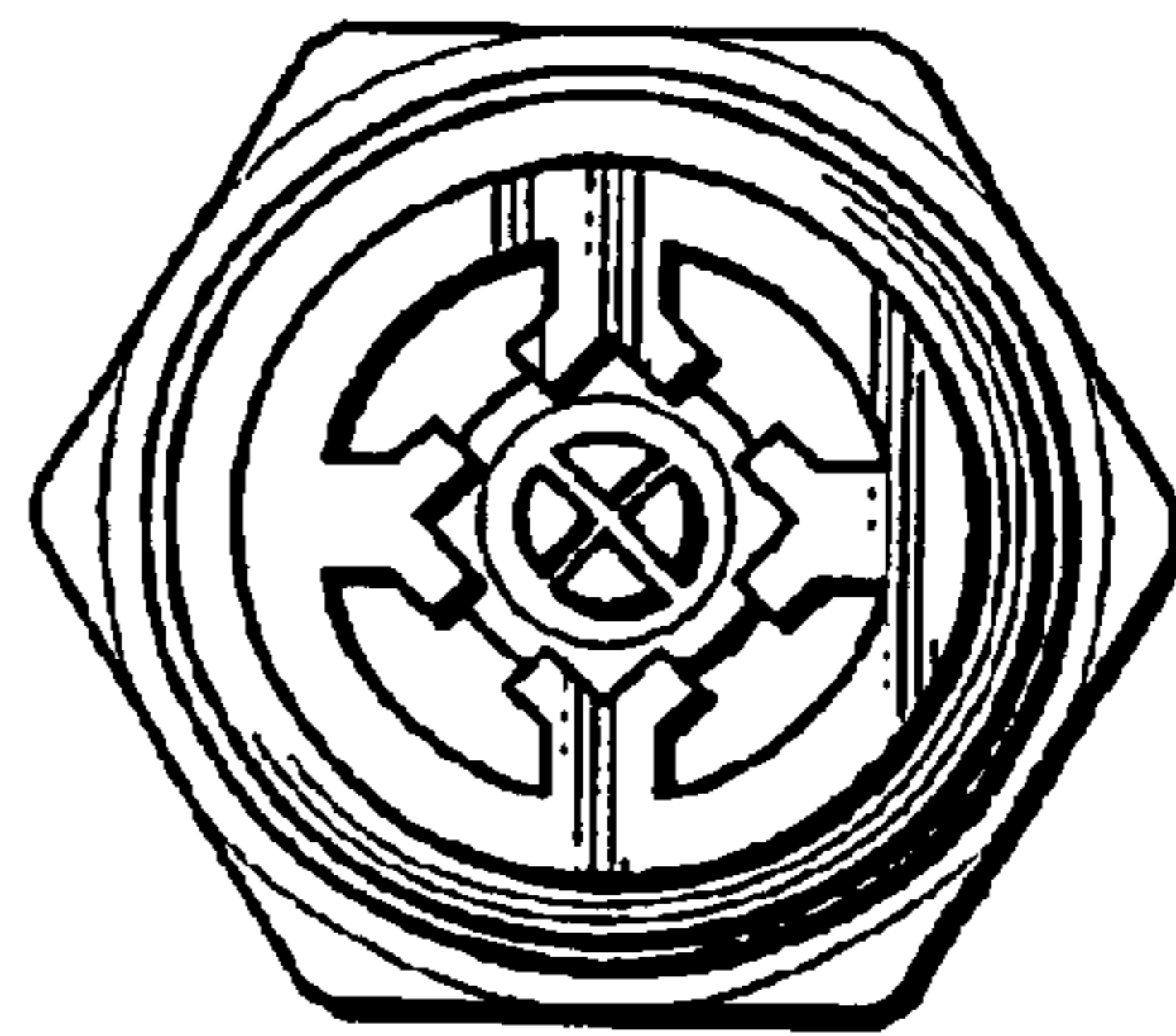


FIG. 4

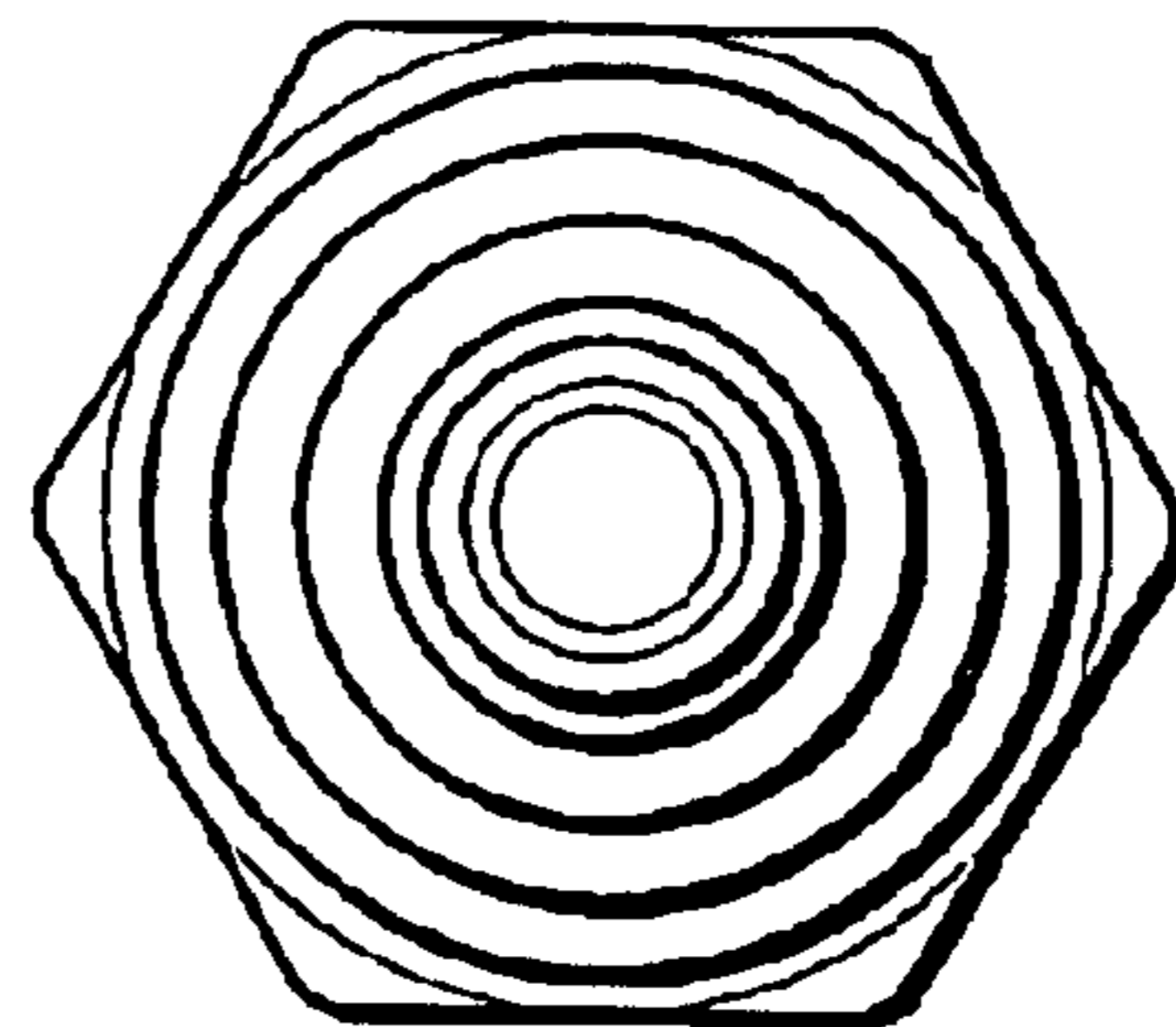


FIG. 5