

US00D494133S1

(12) **United States Design Patent**  
**Song**

(10) **Patent No.:** **US D494,133 S**

(45) **Date of Patent:** **\*\* Aug. 10, 2004**

(54) **INVERTER**

(75) Inventor: **Hyun Sung Song**, Goyang-shi (KR)

(73) Assignee: **LG Industrial Systems, Co., Ltd.**,  
Seoul (KR)

(\*\*) Term: **14 Years**

(21) Appl. No.: **29/180,031**

(22) Filed: **Apr. 18, 2003**

(30) **Foreign Application Priority Data**

Dec. 3, 2002 (KR) ..... 30-2002-0034580

(51) **LOC (7) Cl.** ..... **13-02**

(52) **U.S. Cl.** ..... **D13/110**

(58) **Field of Search** ..... D13/110, 123,  
D13/162, 164; 307/64, 150, 151; 361/600,  
679, 692, 715, 728, 729

(56) **References Cited**

**U.S. PATENT DOCUMENTS**

D298,824 S \* 12/1988 Kondo et al. .... D13/110  
D449,817 S \* 10/2001 Takeuchi et al. .... D13/110

D454,838 S \* 3/2002 Takeuchi et al. .... D13/110  
D455,399 S \* 4/2002 Imamura et al. .... D13/110  
D455,714 S \* 4/2002 Kim ..... D13/110

\* cited by examiner

*Primary Examiner*—Philip S. Hyder

*Assistant Examiner*—Daniel Bui

(74) *Attorney, Agent, or Firm*—Birch, Stewart, Kolasch &  
Birch, LLP

(57) **CLAIM**

The ornamental design for an inverter, as shown and described.

**DESCRIPTION**

FIG. 1 is a perspective view of an inverter showing the new design:

FIG. 2 is a front view thereof;

FIG. 3 is a rear view thereof;

FIG. 4 is a left-side view thereof;

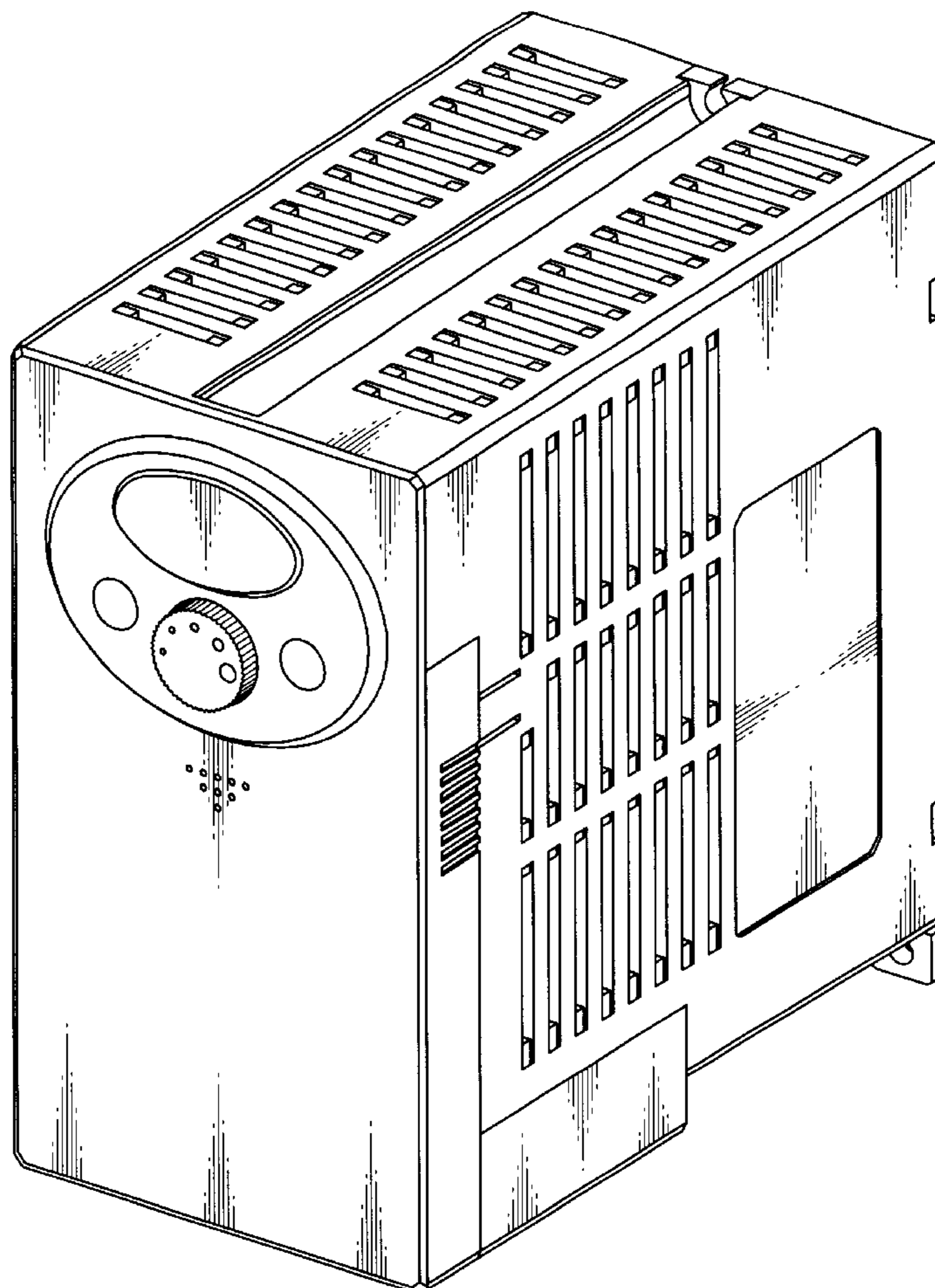
FIG. 5 is a right-side view thereof;

FIG. 6 is a top plan view thereof;

FIG. 7 is a bottom plan view thereof; and,

FIG. 8 is another perspective view thereof.

**1 Claim, 8 Drawing Sheets**



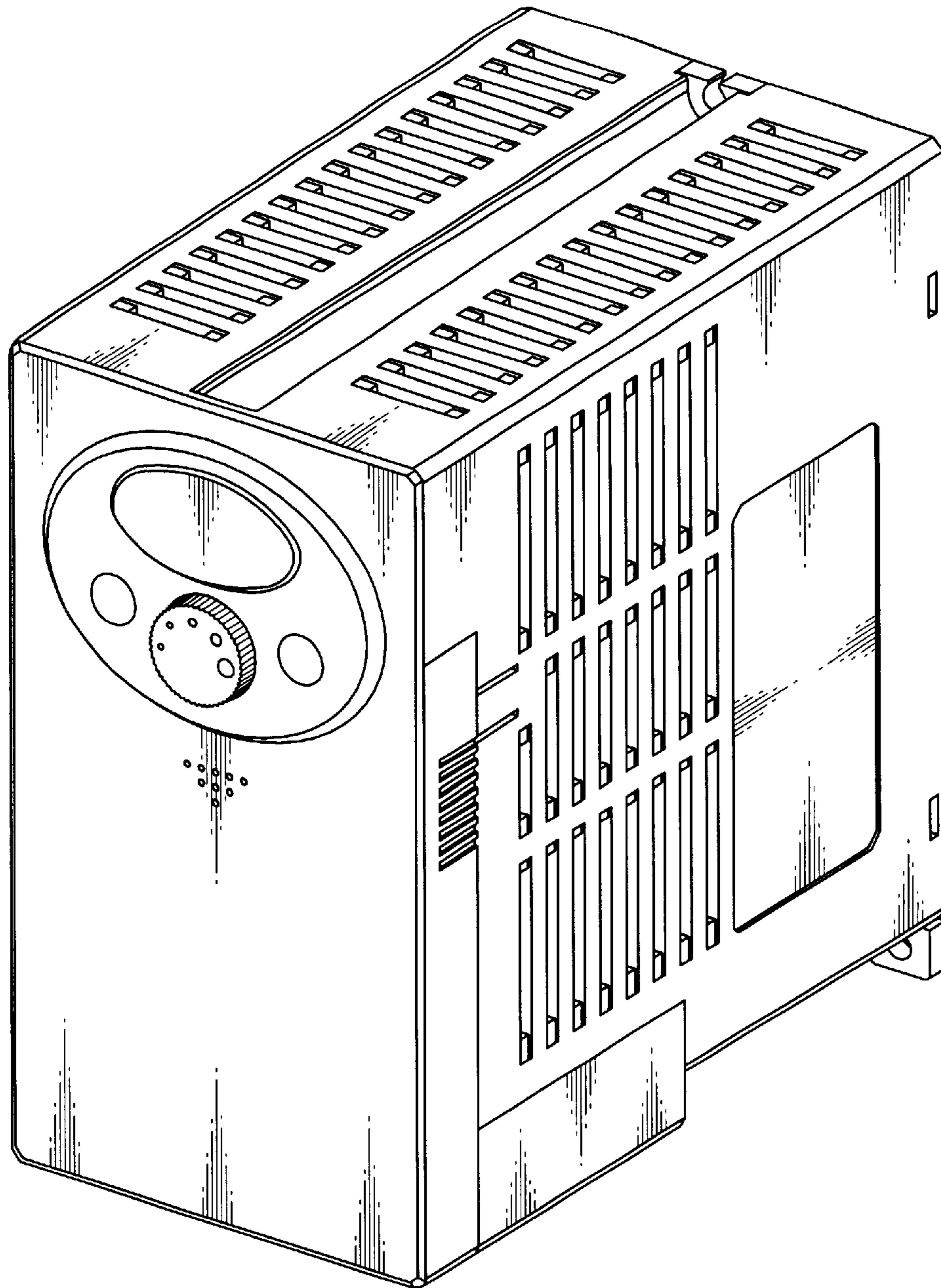


FIG.1

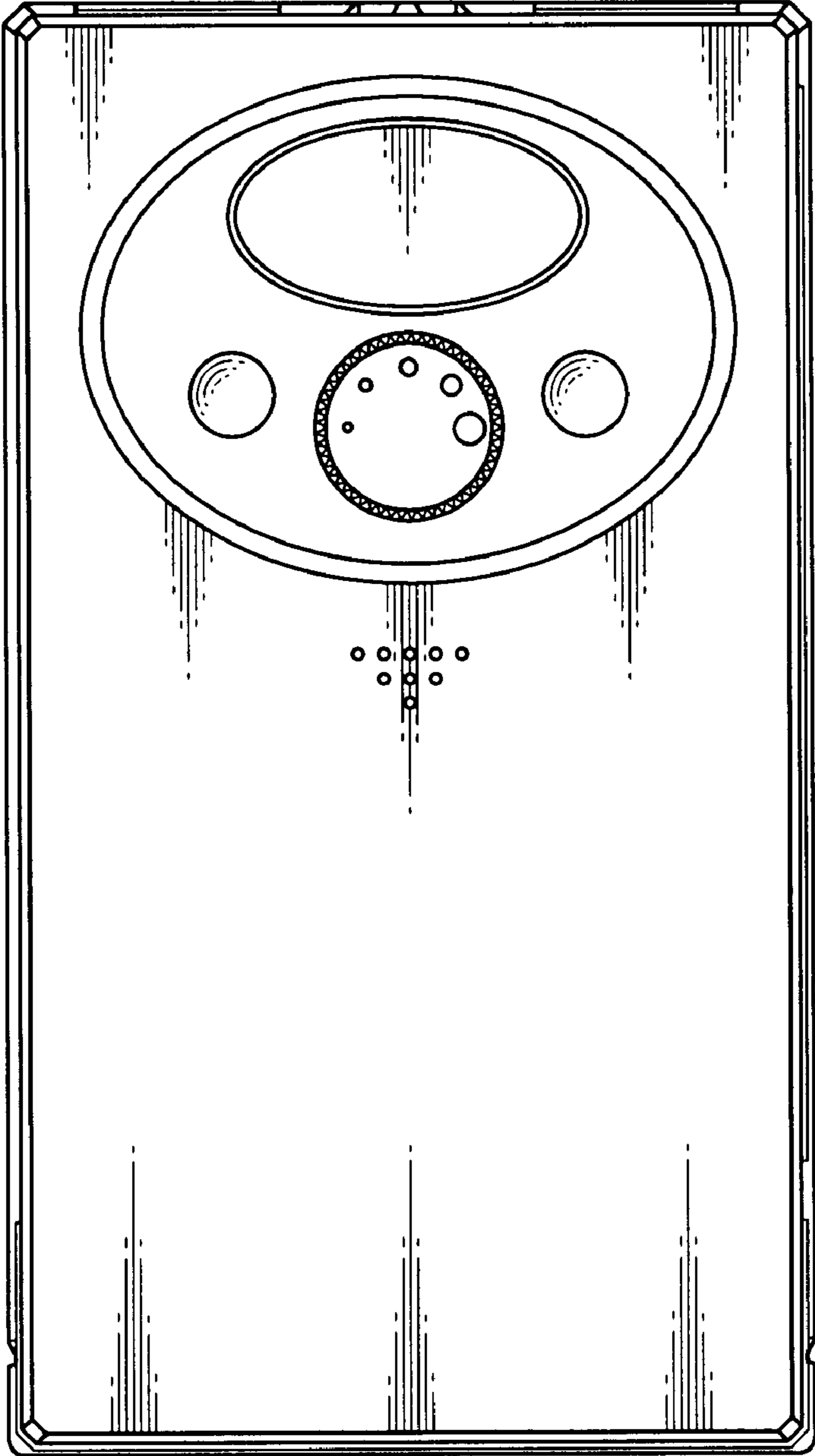


FIG.2

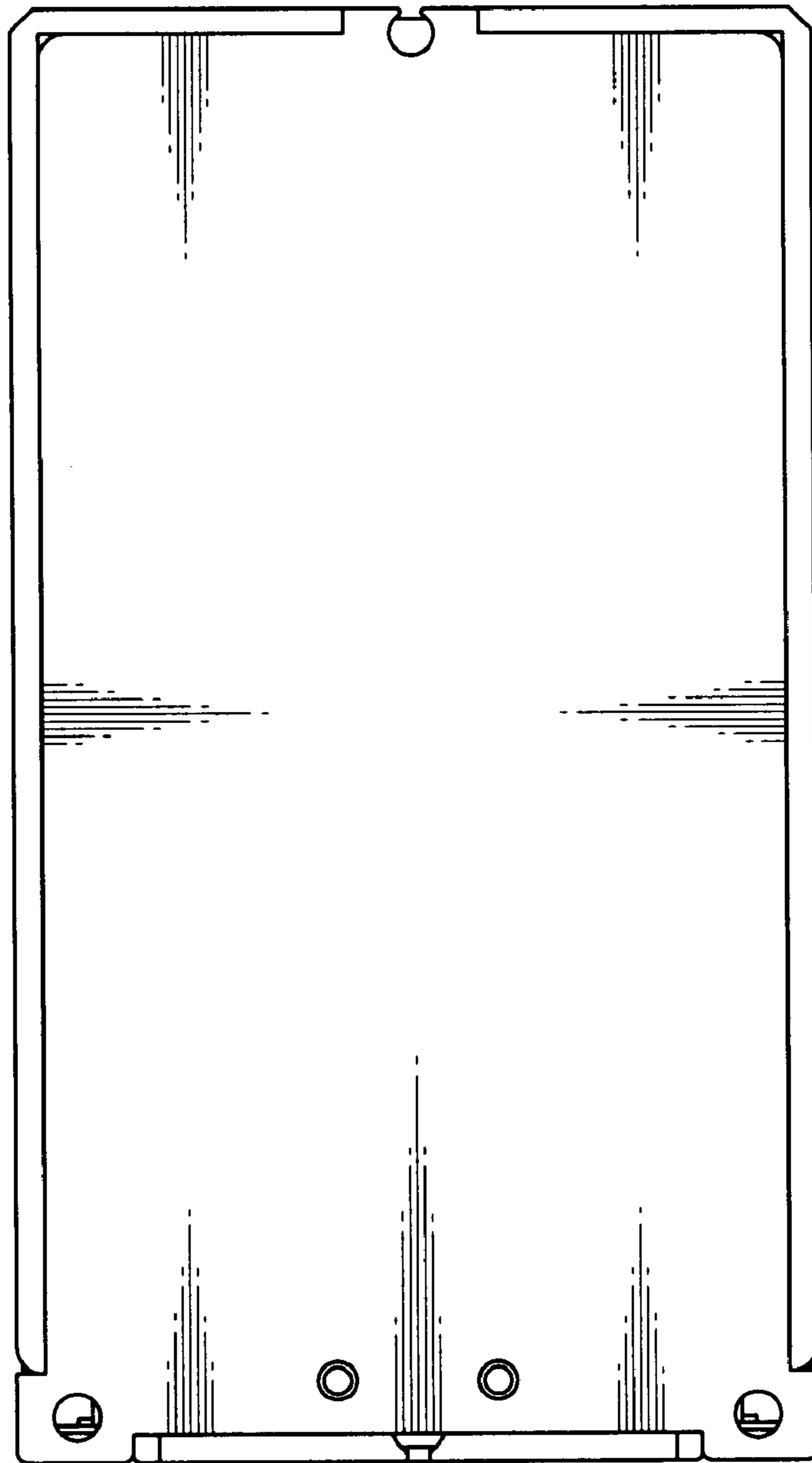


FIG.3

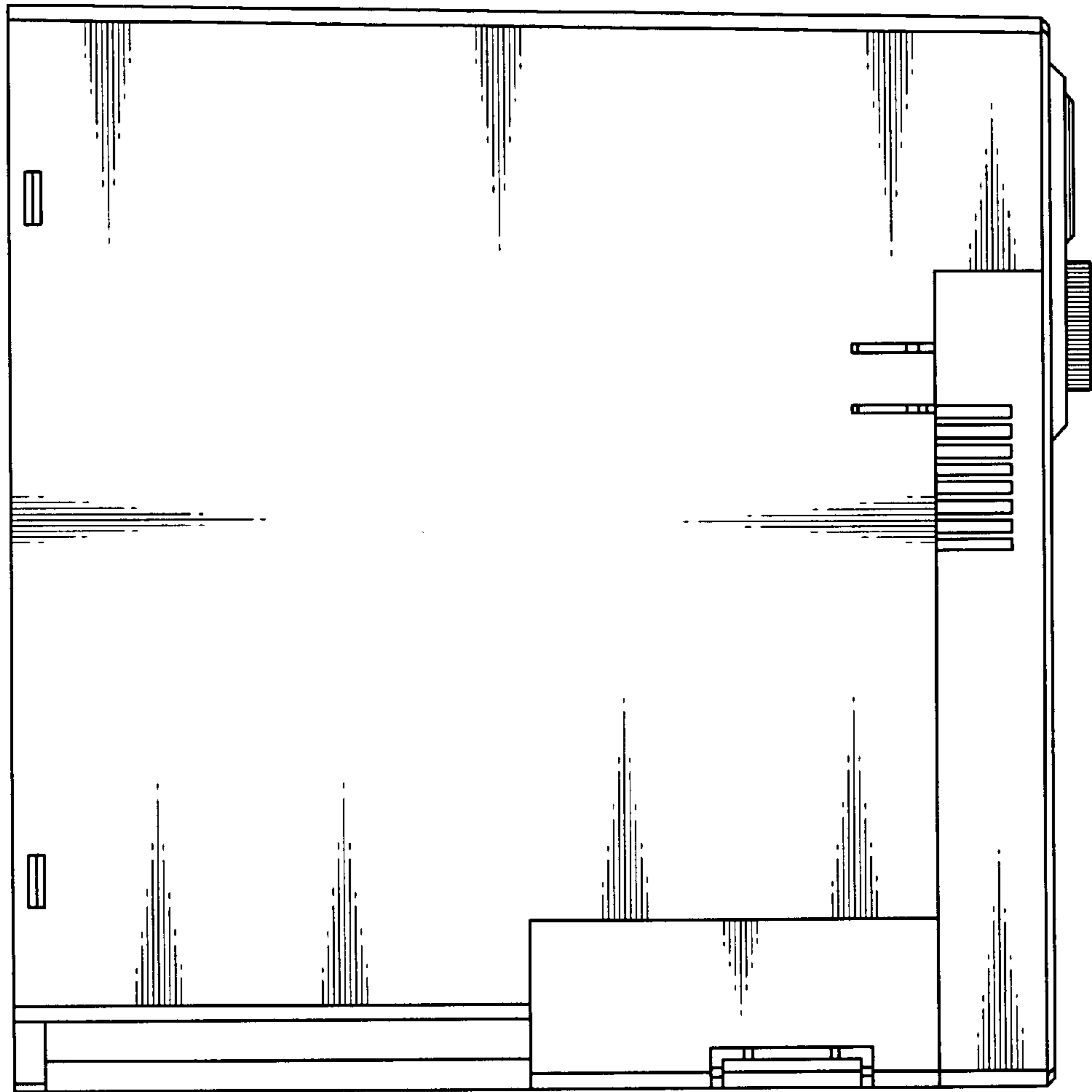


FIG.4

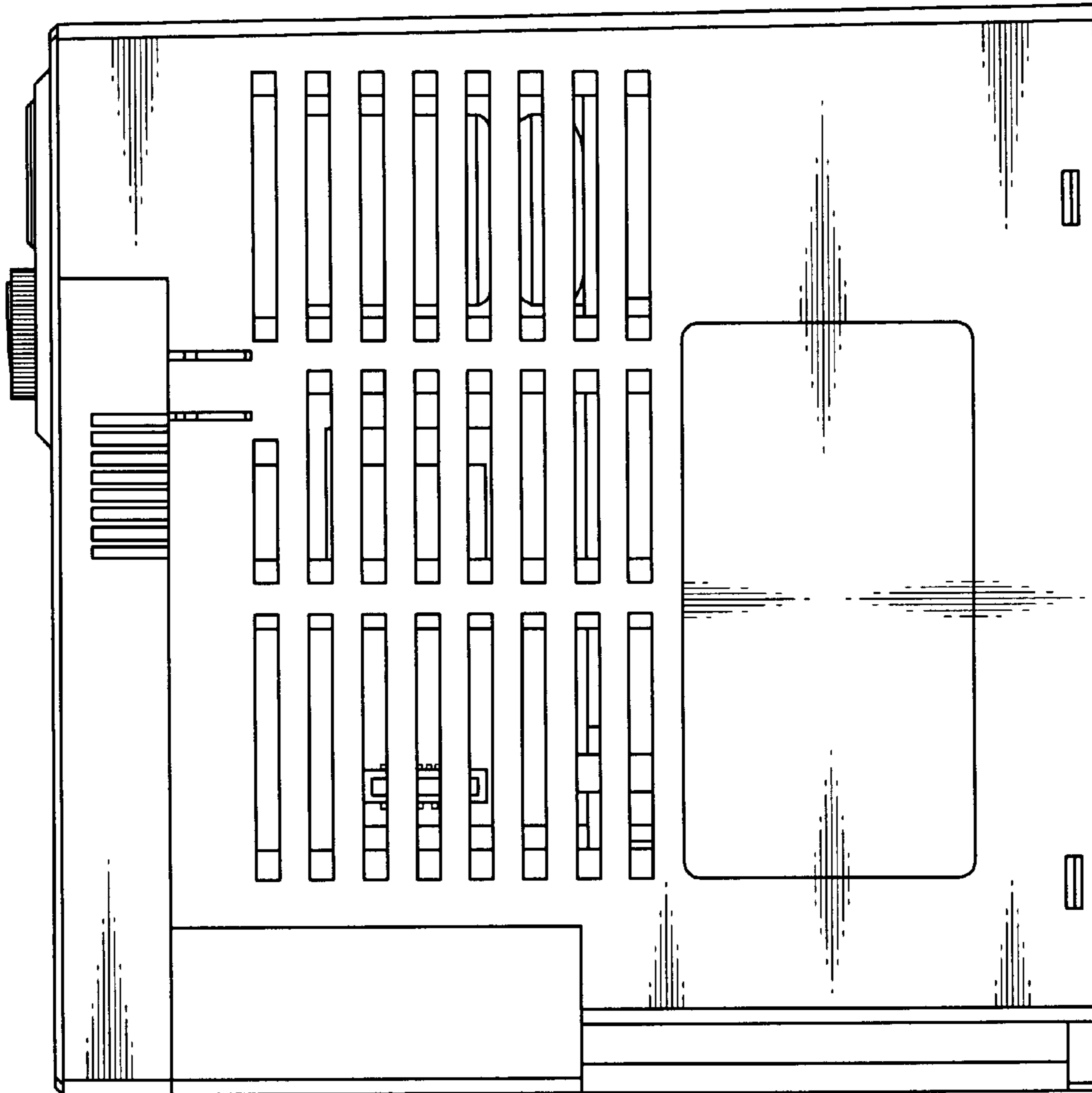


FIG. 5

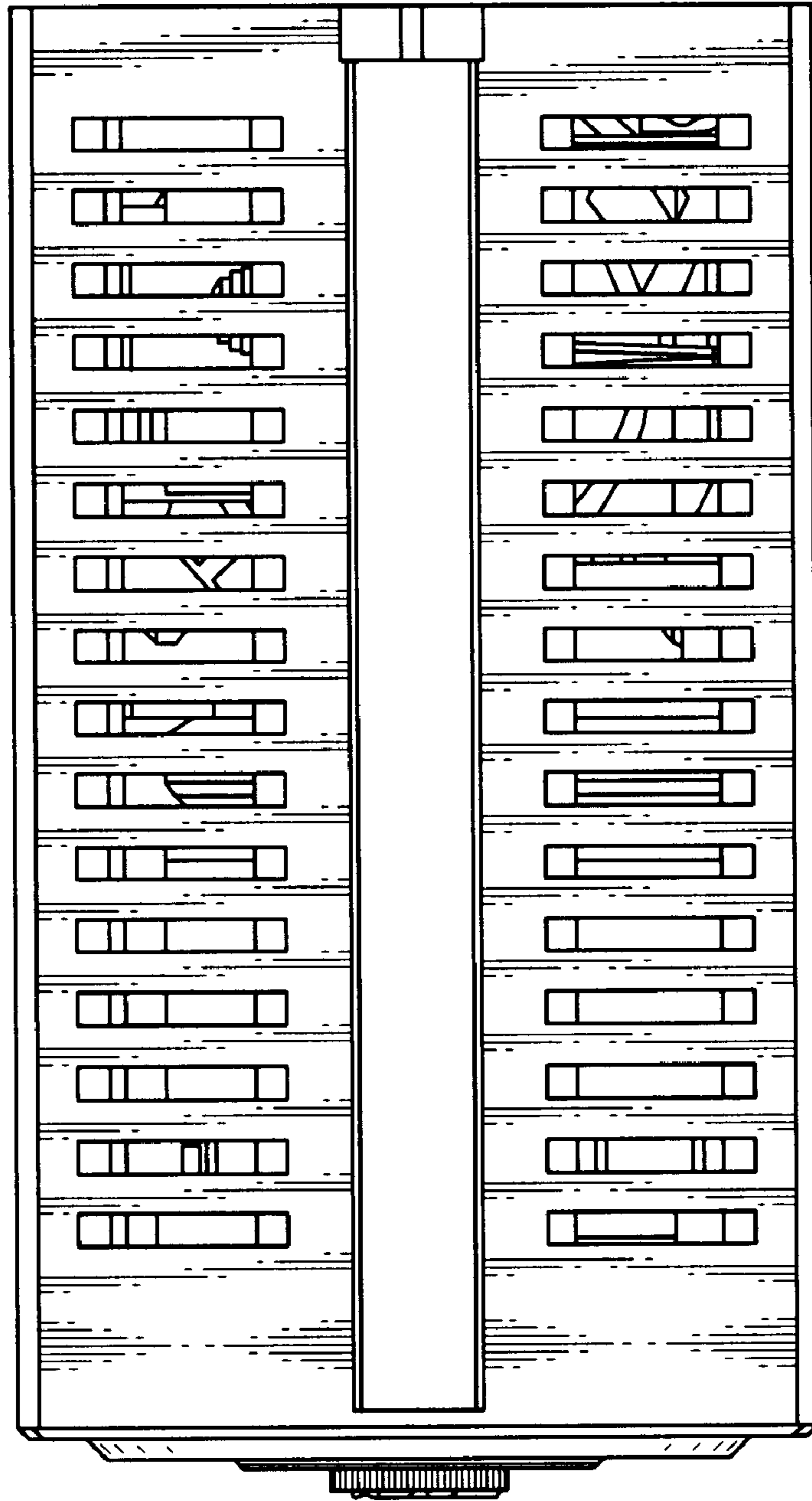


FIG. 6

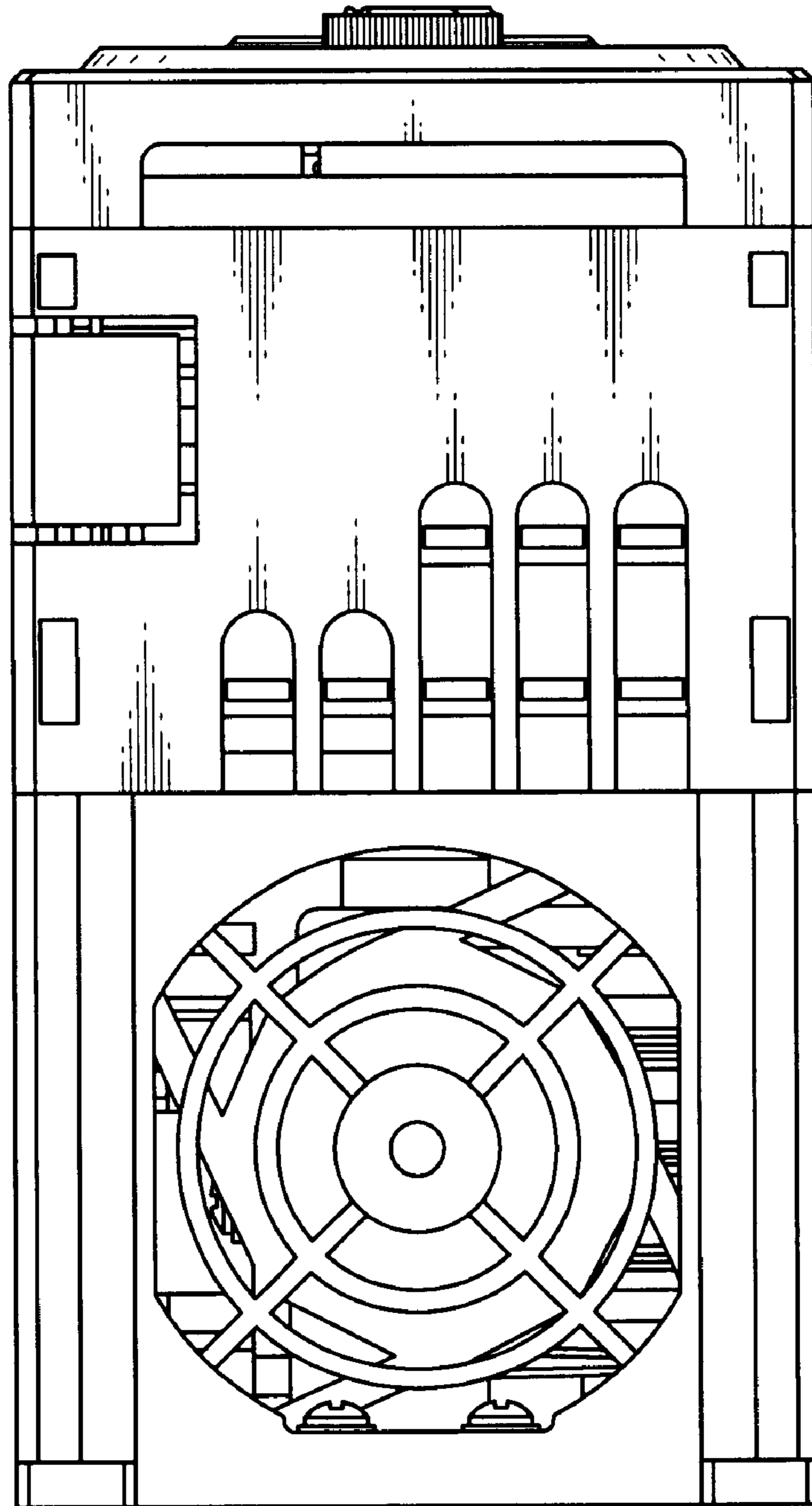


FIG. 7



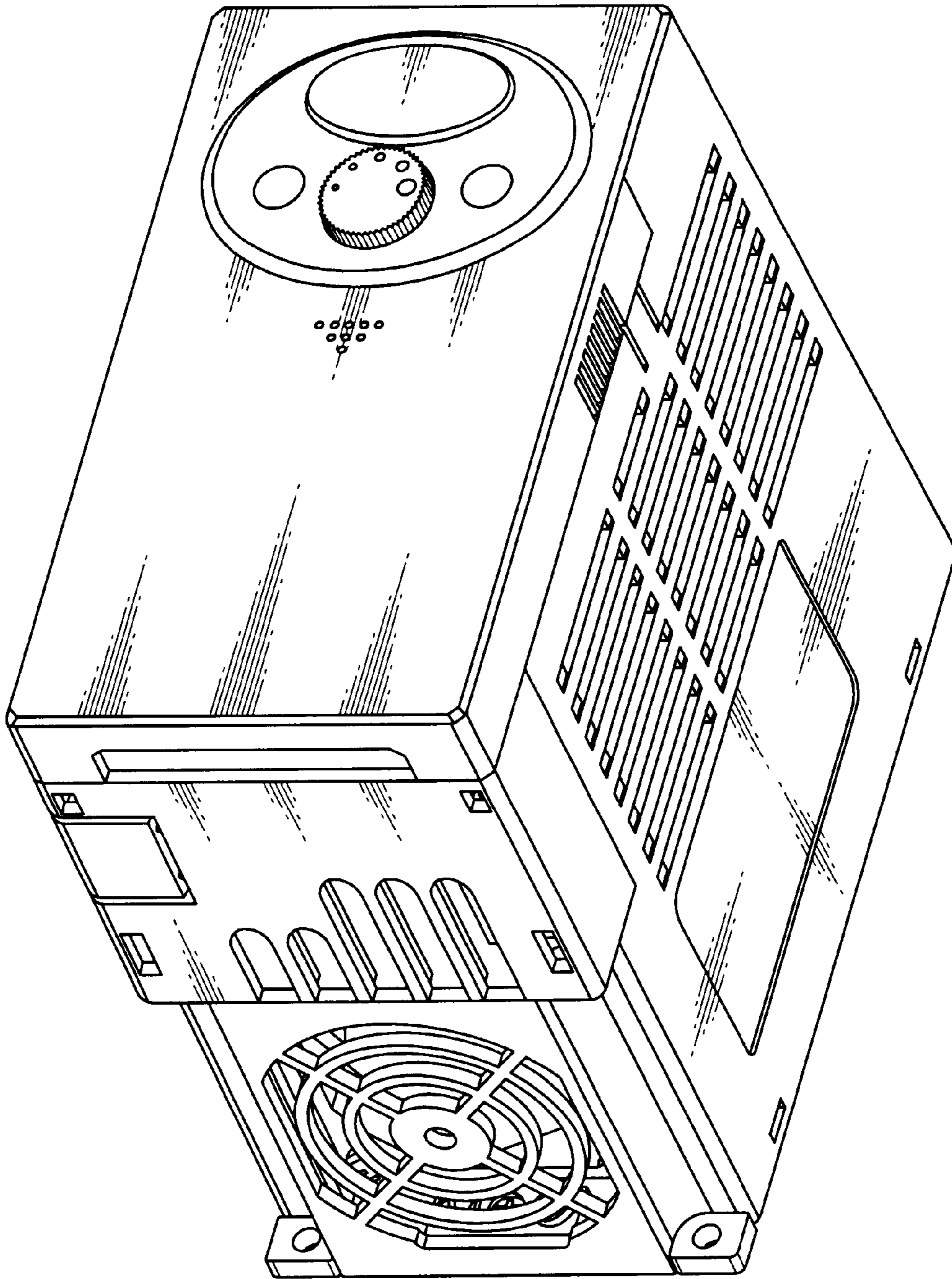


FIG.8