

US00D494123S1

(12) **United States Design Patent**
Albert

(10) **Patent No.:** **US D494,123 S**

(45) **Date of Patent:** **** Aug. 10, 2004**

(54) **VEHICLE WHEEL**

(76) **Inventor:** **Abdallah Joe Albert**, 4914 San Bernardo, Laredo, TX (US) 78041

(**) **Term:** **14 Years**

(21) **Appl. No.:** **29/197,804**

(22) **Filed:** **Jan. 22, 2004**

(51) **LOC (7) Cl.** **12-16**

(52) **U.S. Cl.** **D12/209**

(58) **Field of Search** **D12/204-213;**
301/37.101, 64.101, 65

(56) **References Cited**

U.S. PATENT DOCUMENTS

D49,521 S	8/1916	Kunst	
D210,397 S	3/1968	Edwards	
D393,240 S	4/1998	Escobedo	
D397,663 S	* 9/1998	Chrysanto D12/209
D399,812 S	* 10/1998	Weld D12/209
D419,515 S	* 1/2000	Brown D12/209
D425,848 S	* 5/2000	Hu D12/209
D445,389 S	* 7/2001	Stach D12/209

D447,105 S	8/2001	Meza	
D468,677 S	1/2003	Eldred, II	
D472,508 S	* 4/2003	Yang D12/209

* cited by examiner

Primary Examiner—Stacia Cadmus

(74) *Attorney, Agent, or Firm*—Stephen R. Greiner

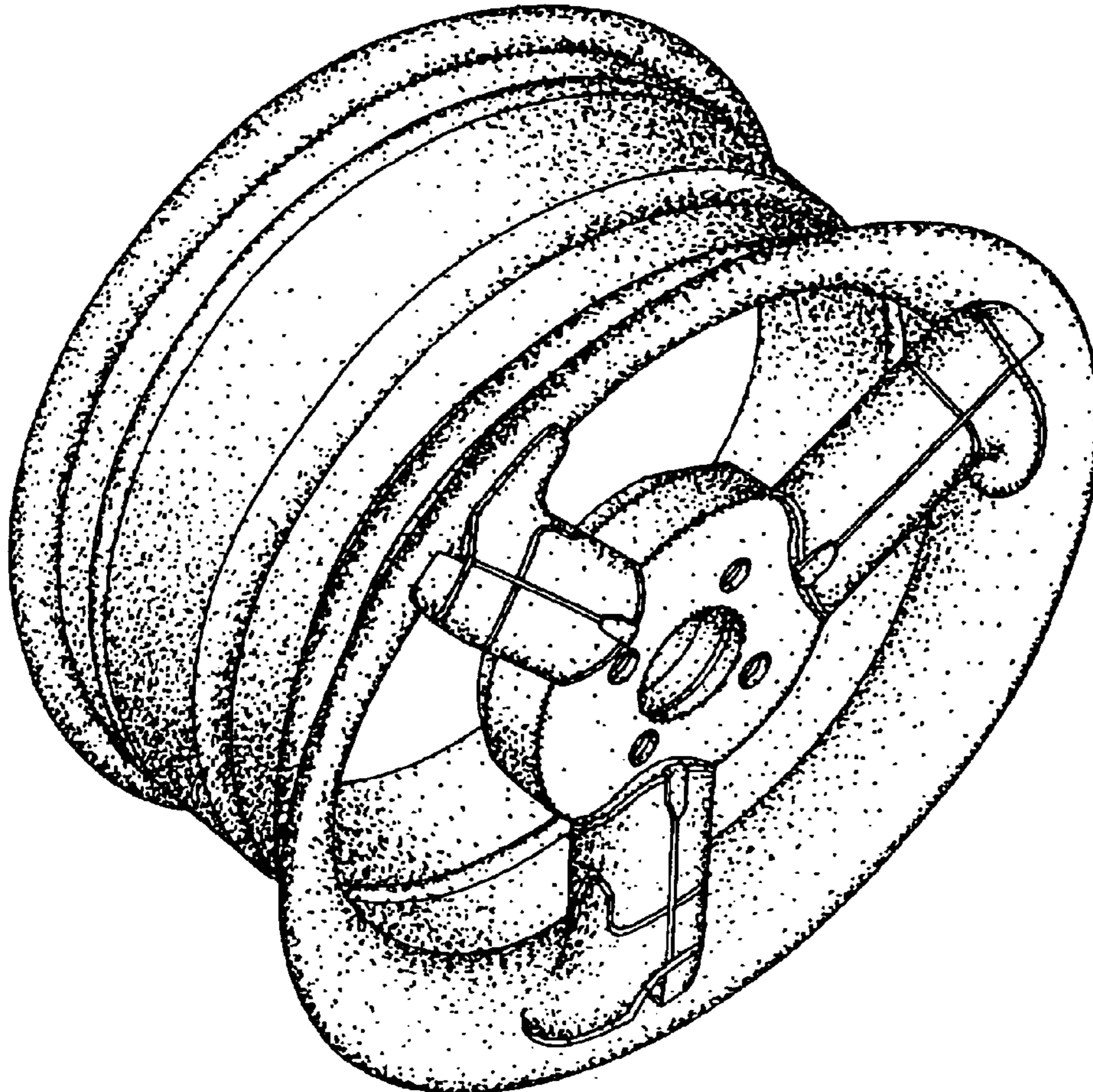
(57) **CLAIM**

The ornamental design for a vehicle wheel, as shown and described.

DESCRIPTION

FIG. 1 is a perspective view of a vehicle wheel showing my new design;
 FIG. 2 is a front elevational view thereof;
 FIG. 3 is a rear elevational view thereof;
 FIG. 4 is a right side elevational view with the left side elevational view, top plan view and bottom plan view being the same thereas; and,
 FIG. 5 is a cross-sectional view taken on line 5—5 of FIG. 2.

1 Claim, 2 Drawing Sheets



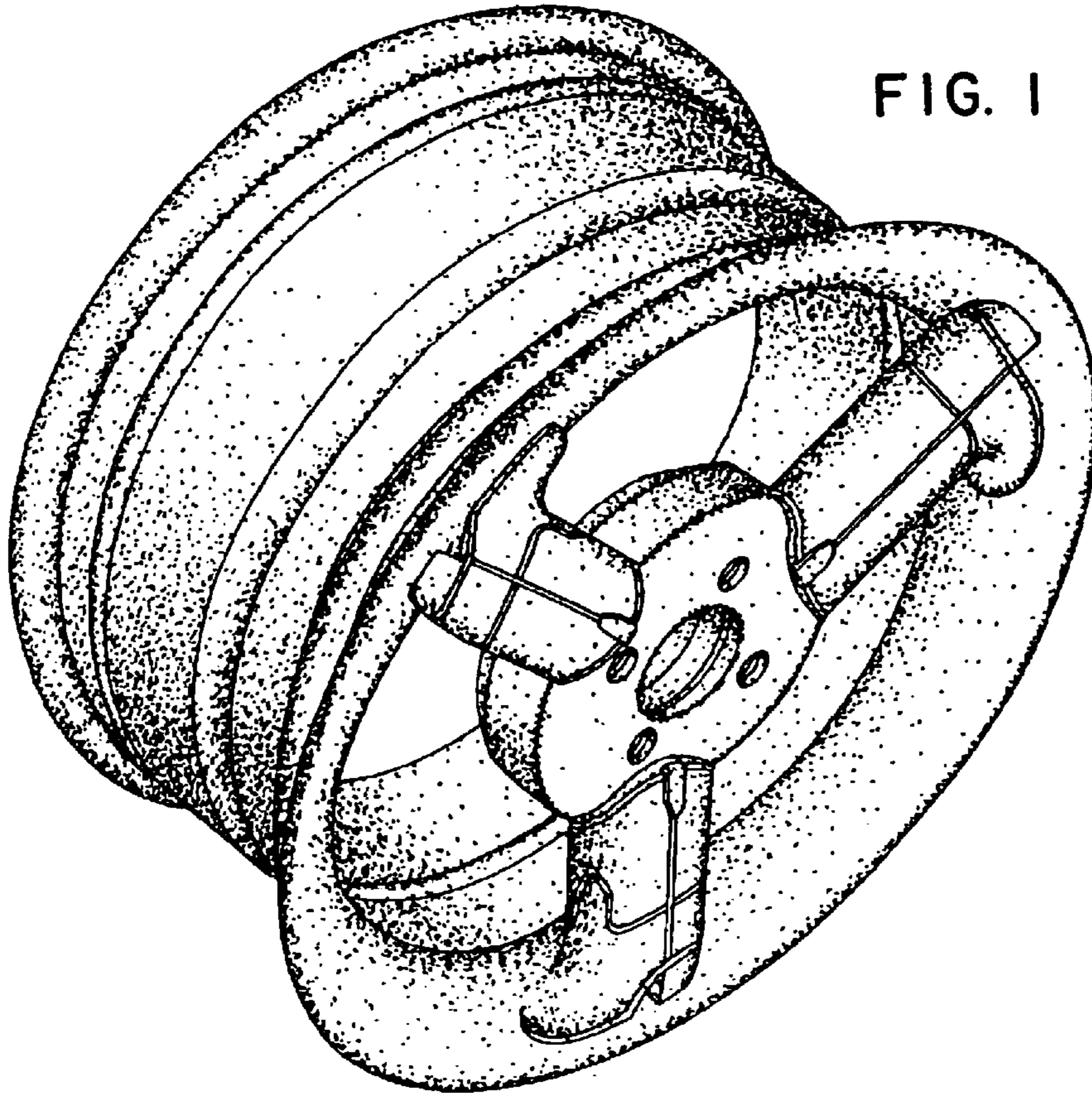


FIG. 1

5 ←

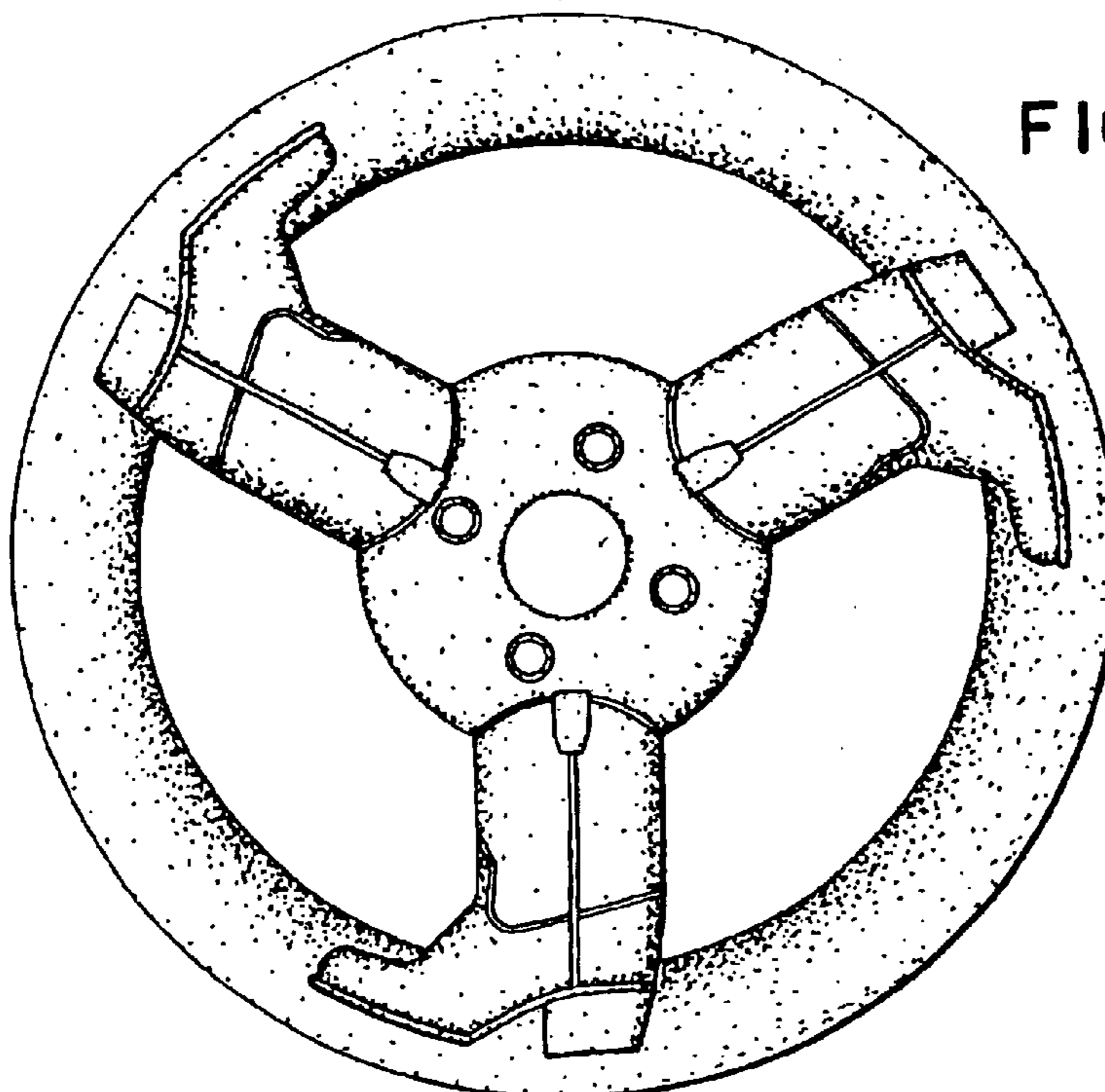


FIG. 2

5 ←

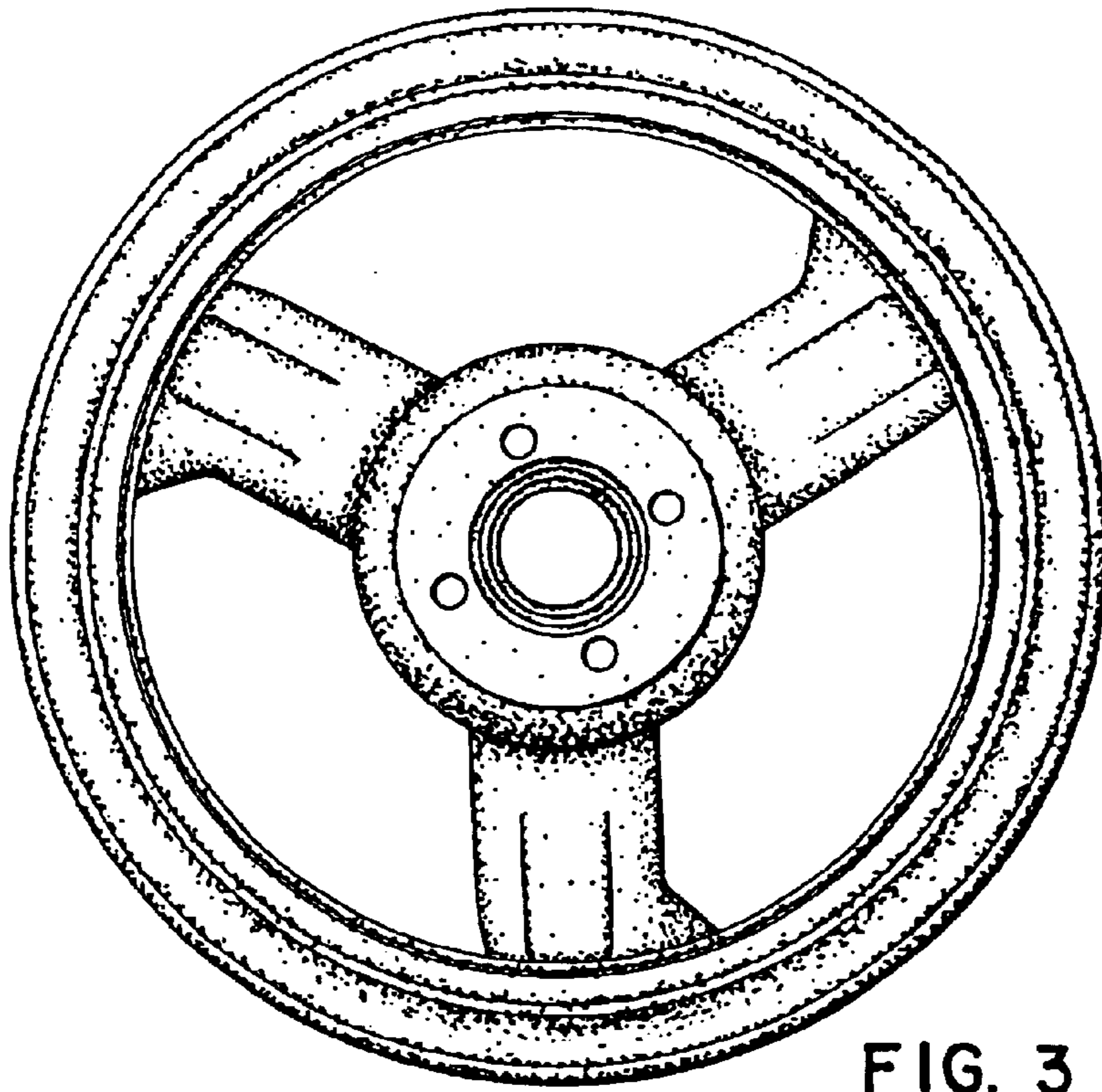


FIG. 3

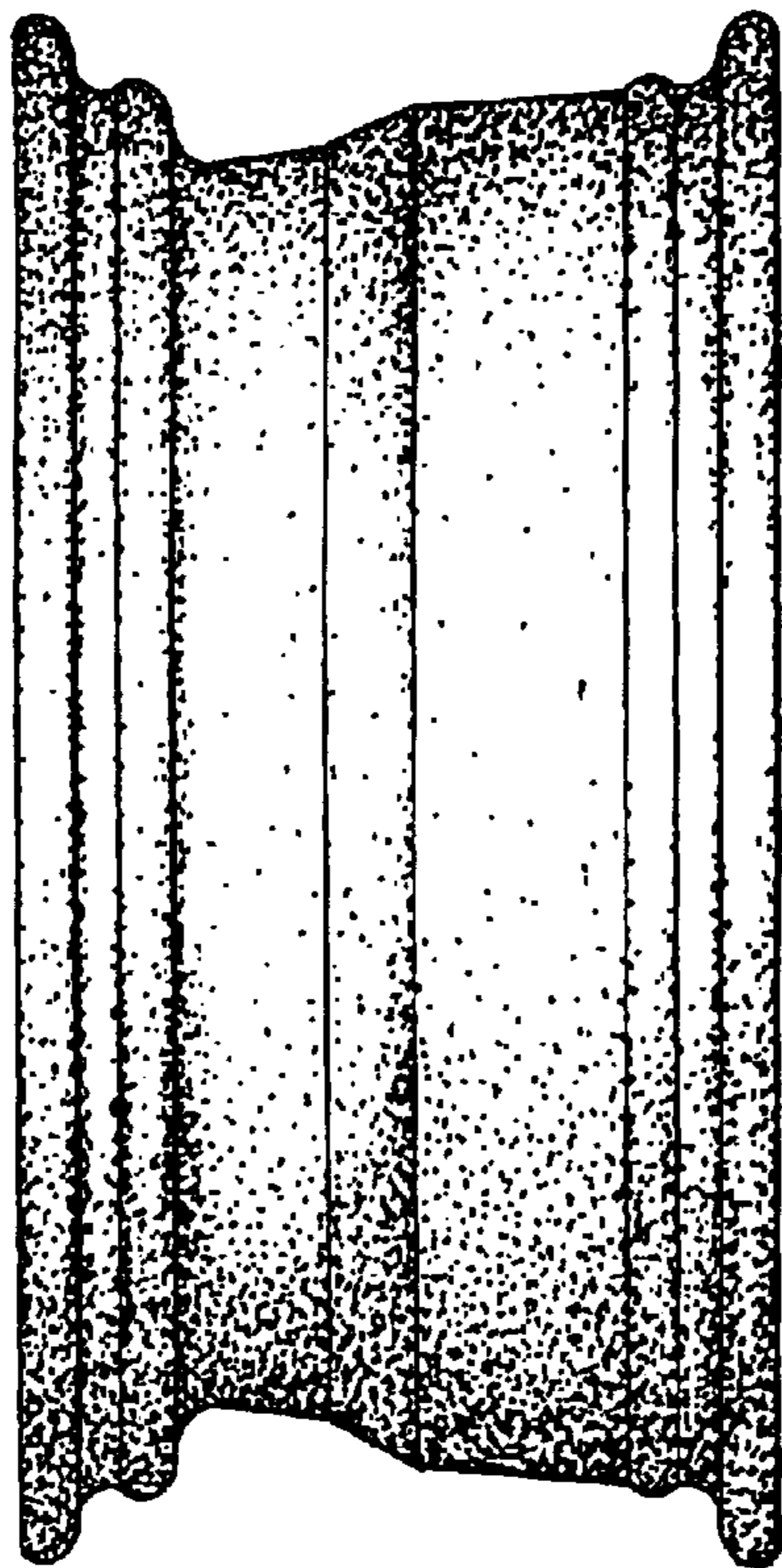


FIG. 4

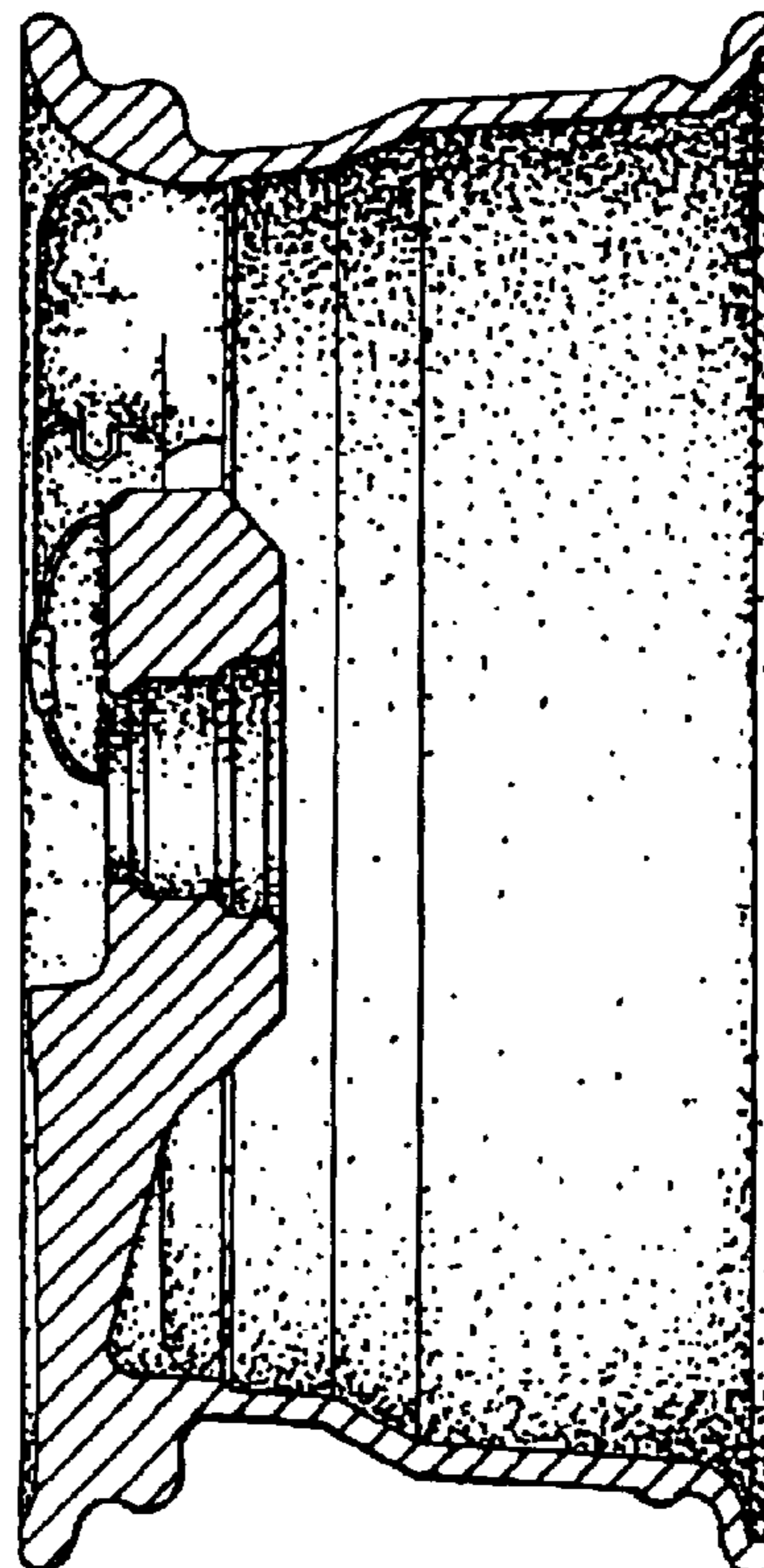


FIG. 5