



US00D494122S1

(12) **United States Design Patent**
Sands

(10) **Patent No.:** **US D494,122 S**

(45) **Date of Patent:** **** Aug. 10, 2004**

(54) **WHEEL WITH FIVE SPOKES**

(75) **Inventor:** **Perry Sands, La Palma, CA (US)**

(73) **Assignee:** **Performance Machine Inc., La Palma, CA (US)**

(**) **Term:** **14 Years**

(21) **Appl. No.:** **29/195,915**

(22) **Filed:** **Dec. 17, 2003**

(51) **LOC (7) Cl.** **12-16**

(52) **U.S. Cl.** **D12/209**

(58) **Field of Search** **D12/204-213;**
301/37.101, 64.101, 65

D460,037 S * 7/2002 Takechi D12/211
D467,855 S * 12/2002 Laengerer D12/209
D477,262 S * 7/2003 Koch D12/209
D482,308 S * 11/2003 Lee D12/211

* cited by examiner

Primary Examiner—Stacia Cadmus

(74) *Attorney, Agent, or Firm*—David Pressman

(57) **CLAIM**

The ornamental design for a wheel with five spokes, as shown and described.

DESCRIPTION

FIG. 1 is a front perspective view of a wheel with five spokes according to my invention. The rear side of the wheel is identical to the front side. The outer ends of all spokes are identical; and,

FIG. 2 is a cross-sectional view taken as indicated by the line 2—2 of FIG. 1.

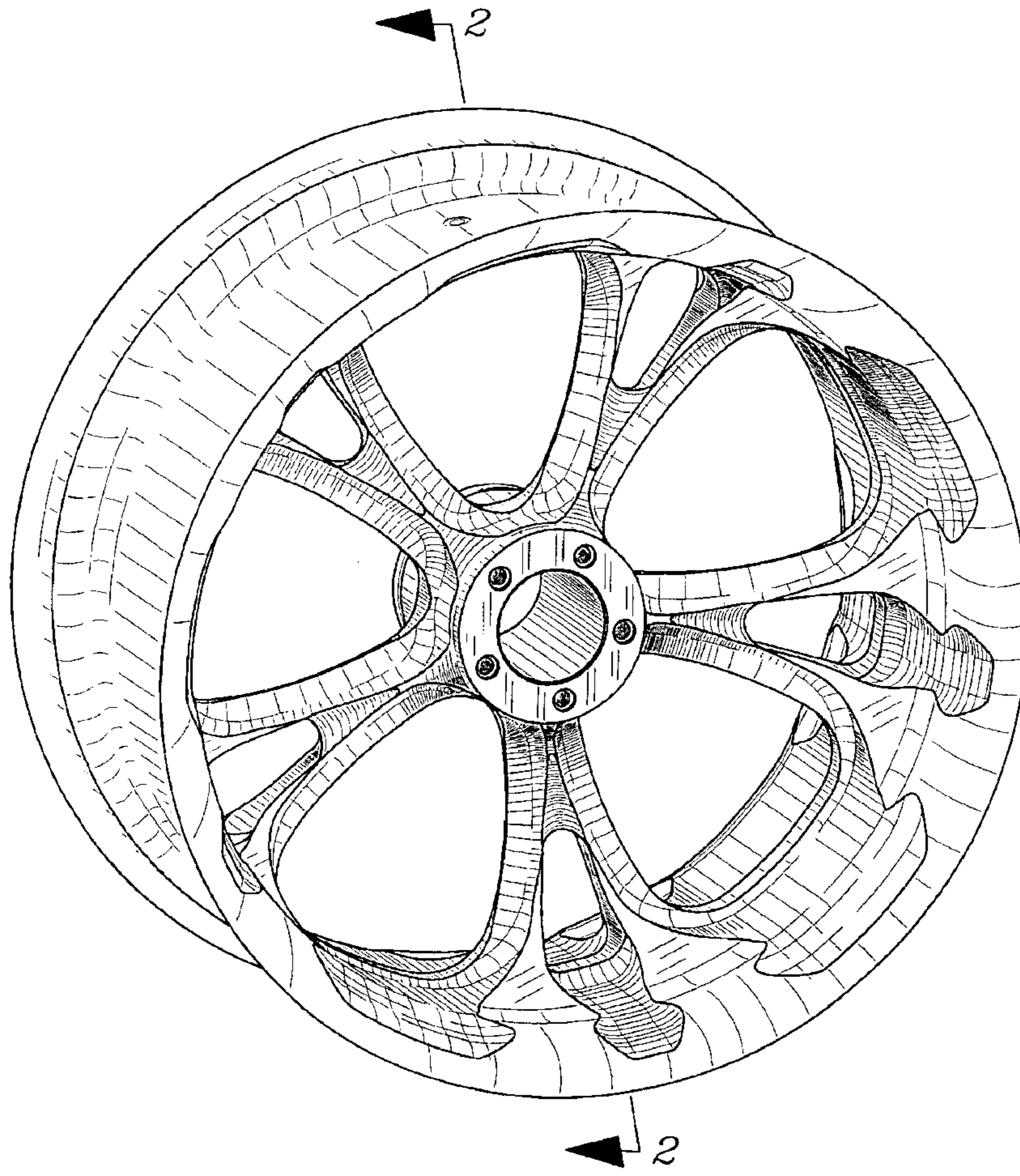
The invention is a vehicle wheel that is has five spokes that each flare out from the hub of the wheel and are split into two arms at their rim ends and have a scuptled, flaring appearance.

1 Claim, 2 Drawing Sheets

(56) **References Cited**

U.S. PATENT DOCUMENTS

D403,289 S * 12/1998 Watanabe D12/209
D413,851 S * 9/1999 Donikoglu D12/209
D422,258 S * 4/2000 Hale, Jr. D12/211
D432,973 S * 10/2000 Fitzgerald D12/209
D451,461 S * 12/2001 Arellano D12/209
D458,571 S * 6/2002 Maifrini D12/209
D458,572 S * 6/2002 Fitzgerald D12/209



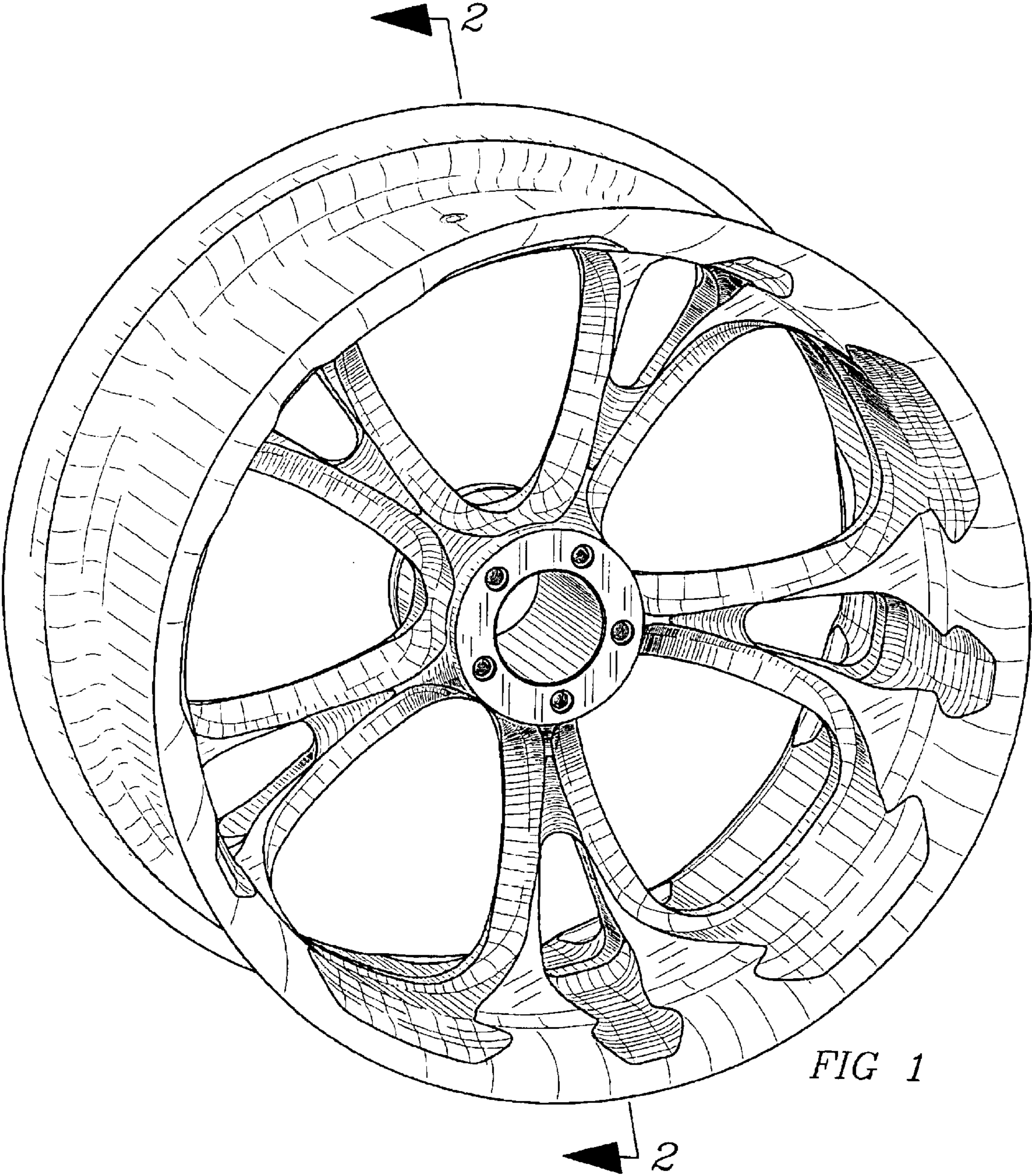


FIG 1

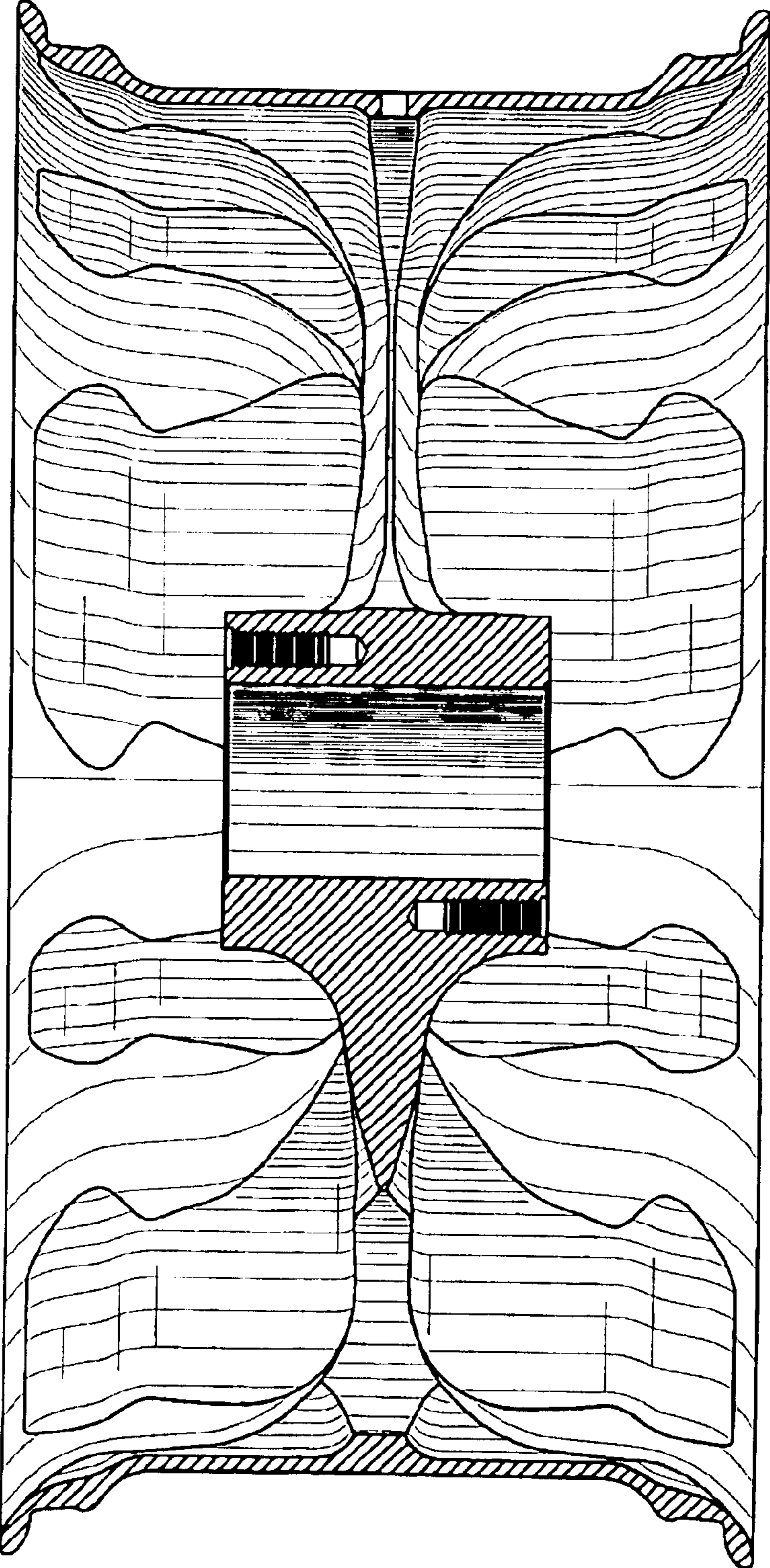


FIG 2