

US00D494121S1

(12) **United States Design Patent**  
**Sulahian**

(10) **Patent No.:** **US D494,121 S**

(45) **Date of Patent:** **\*\* Aug. 10, 2004**

(54) **FRONT FACE OF A VEHICLE WHEEL**

(76) **Inventor:** **Diko Sulahian**, 12717 Ann St., Santa Fe Springs, CA (US) 90670

(\*\*) **Term:** **14 Years**

(21) **Appl. No.:** **29/192,237**

(22) **Filed:** **Oct. 22, 2003**

(51) **LOC (7) Cl.** ..... **12-16**

(52) **U.S. Cl.** ..... **D12/209**

(58) **Field of Search** ..... **D12/204-213;**  
**301/37.101, 64.101, 65**

(56) **References Cited**

**U.S. PATENT DOCUMENTS**

D396,681 S	*	8/1998	Boyer	.....	D12/209
D407,055 S	*	3/1999	Kelley	.....	D12/209
D420,967 S	*	2/2000	Sacco et al.	.....	D12/209
D444,756 S	*	7/2001	Brintouch	.....	D12/209
D451,462 S	*	12/2001	Donikoglu	.....	D12/209
D451,872 S	*	12/2001	Arellano	.....	D12/209
D455,697 S	*	4/2002	Chung	.....	D12/209
D464,010 S	*	10/2002	Chung	.....	D12/211
D464,308 S	*	10/2002	Chung	.....	D12/209
D465,186 S	*	11/2002	Chung	.....	D12/211
D469,727 S	*	2/2003	Lenz	.....	D12/209
D472,864 S	*	4/2003	Kataoka	.....	D12/209
D474,439 S	*	5/2003	McMath	.....	D12/209

D478,305 S	*	8/2003	Kern	.....	D12/209
D479,174 S	*	9/2003	McMath	.....	D12/209

\* cited by examiner

*Primary Examiner*—Stacia Cadmus

(74) *Attorney, Agent, or Firm*—Nixon & Vanderhye P.C.

(57) **CLAIM**

The ornamental design for a front face of a vehicle wheel, as shown and described.

**DESCRIPTION**

FIG. 1 is a front view of a front face of a vehicle wheel showing my new design;

FIG. 2 is a front and left side perspective view of the front face of a vehicle wheel shown in FIG. 1;

FIG. 3 is a different side and front perspective view of the front face of a vehicle wheel shown in FIG. 1;

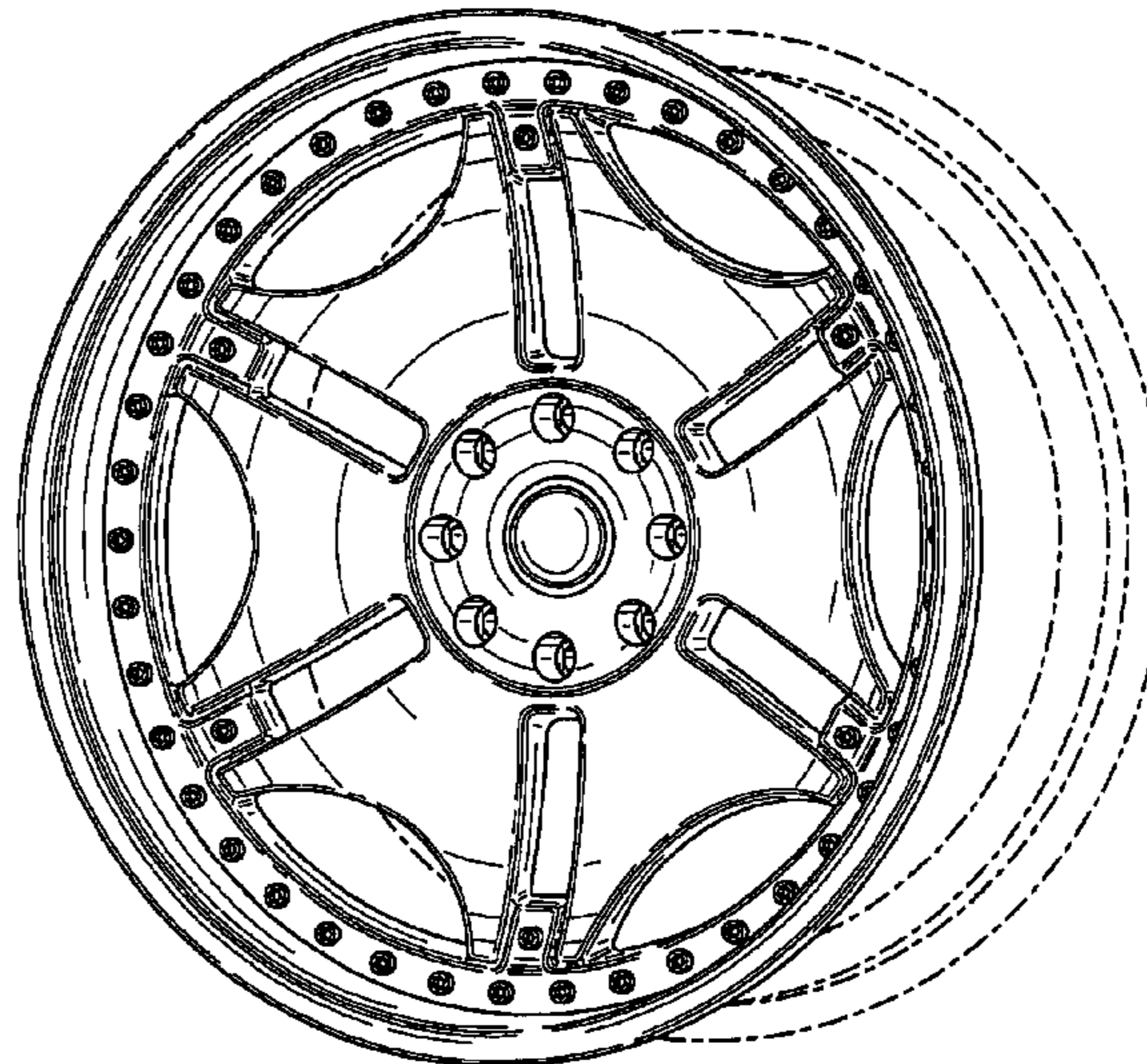
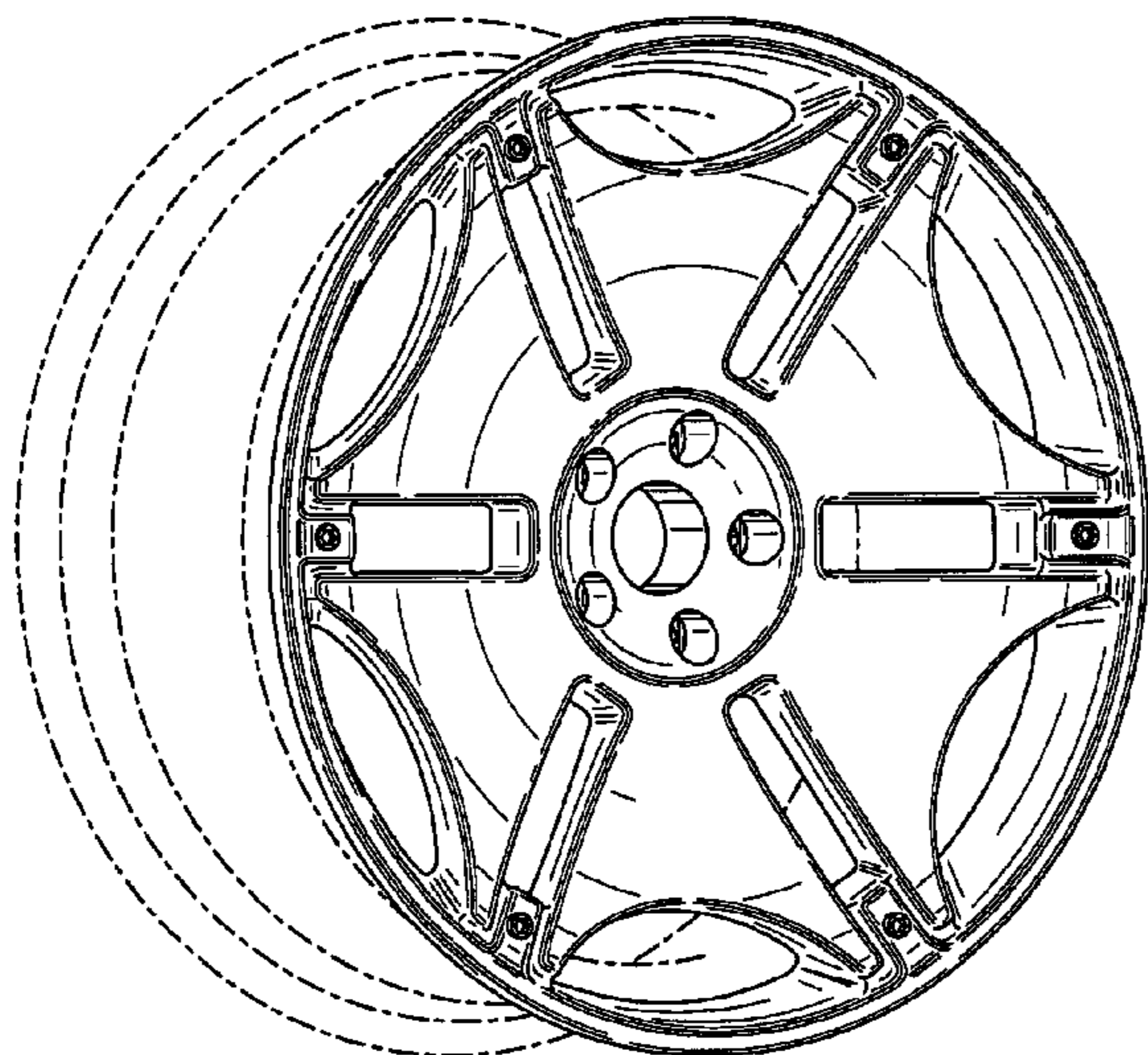
FIG. 4 is a front view of a front face of a vehicle wheel showing a second embodiment of my new design;

FIG. 5 is a front and side perspective view of the front face of a vehicle wheel shown in FIG. 4; and,

FIG. 6 is a different front and side perspective view of the front face of a vehicle wheel shown in FIG. 4.

Where included, broken lines showing environment or structure are for illustrative purposes only and form no part of the claimed design.

**1 Claim, 6 Drawing Sheets**



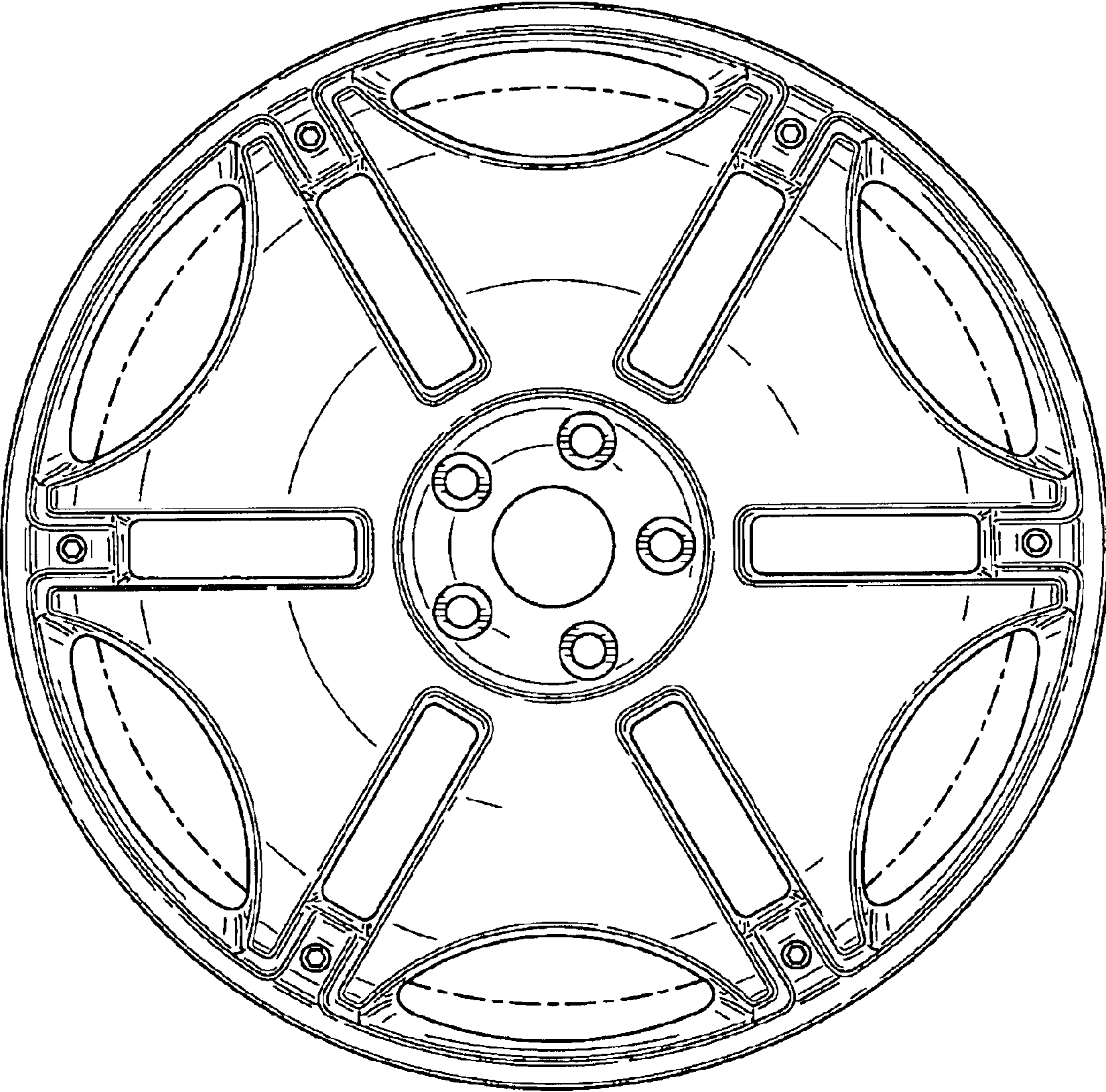


FIG. 1

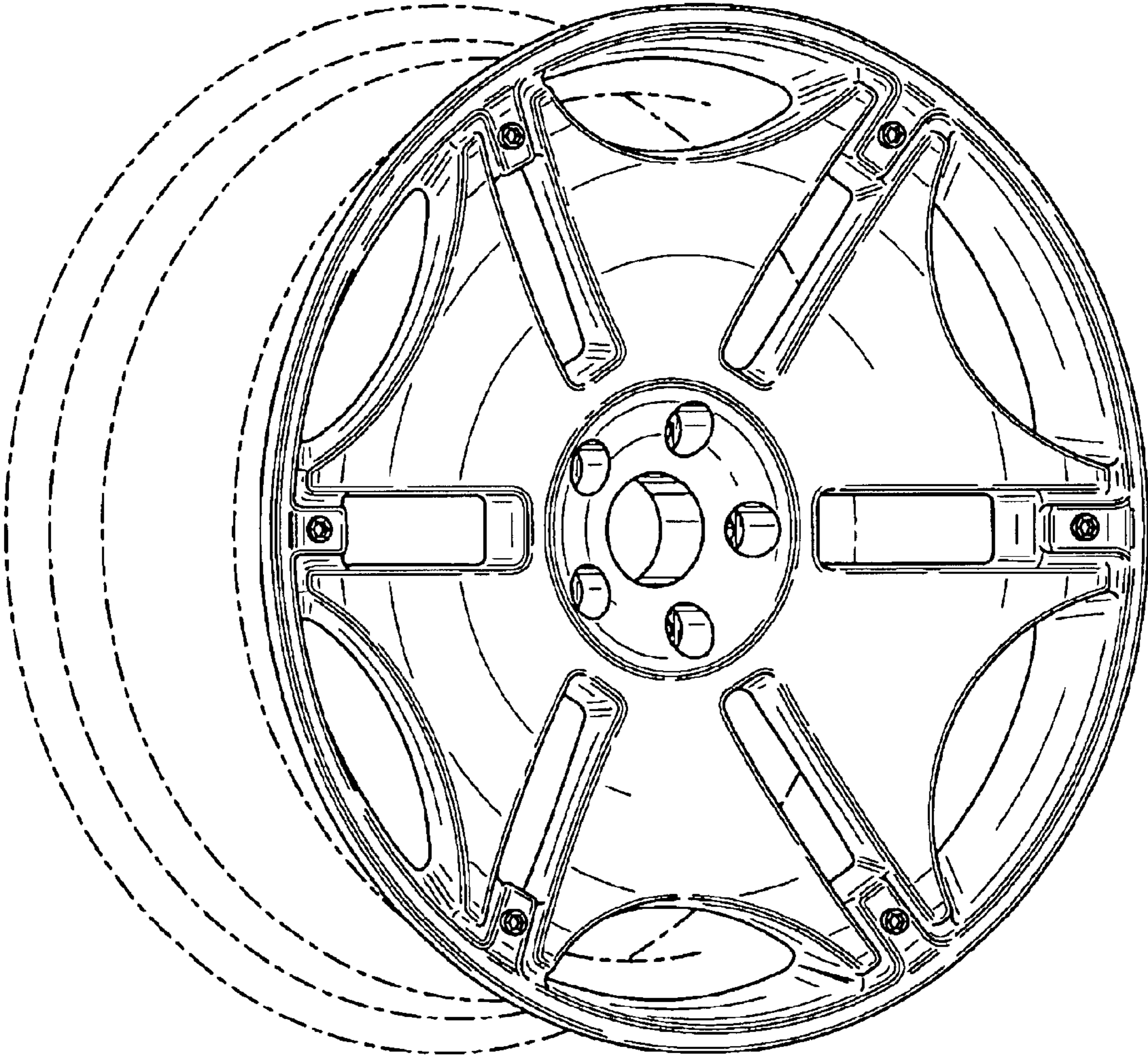


FIG. 2

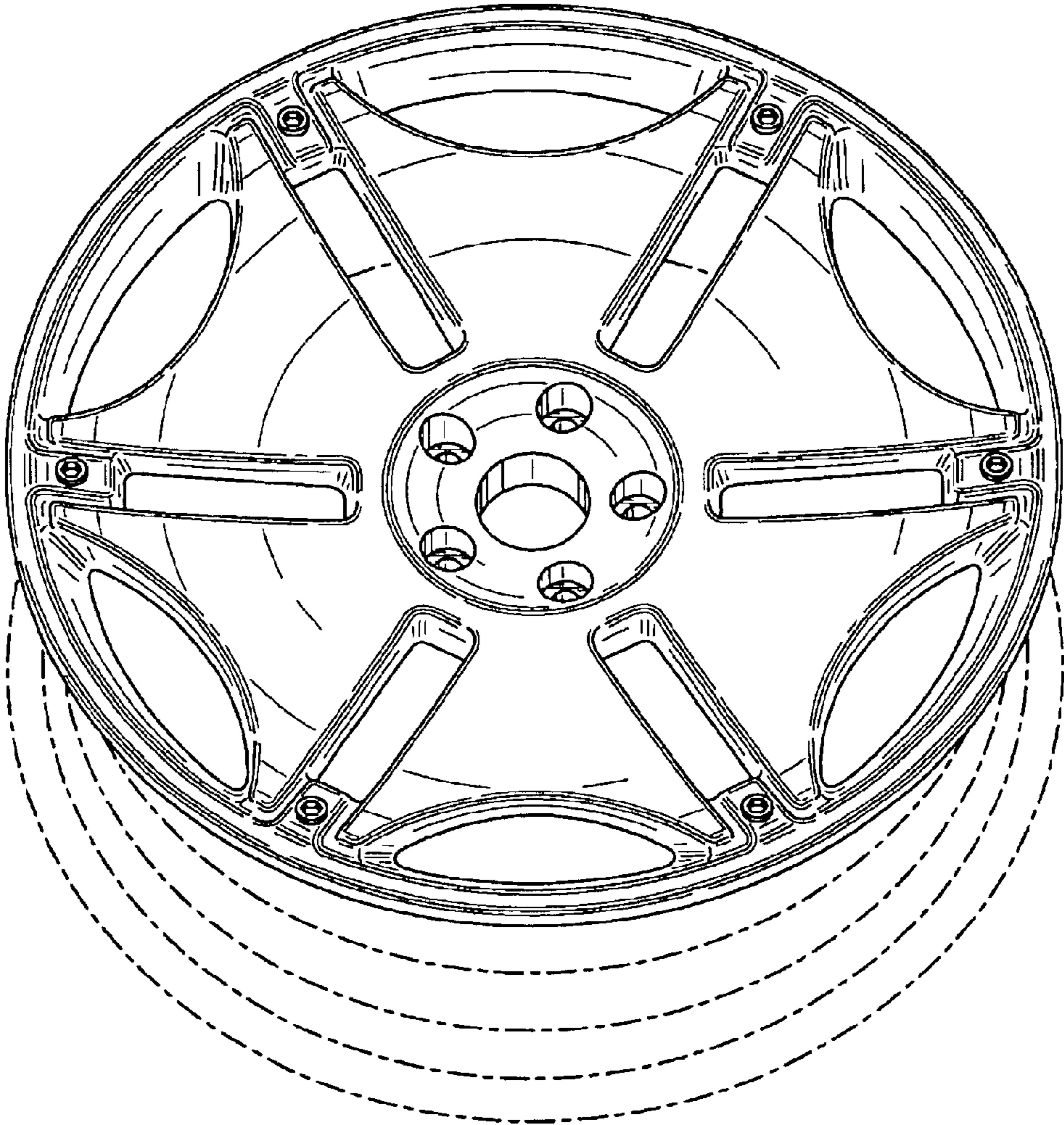


FIG. 3

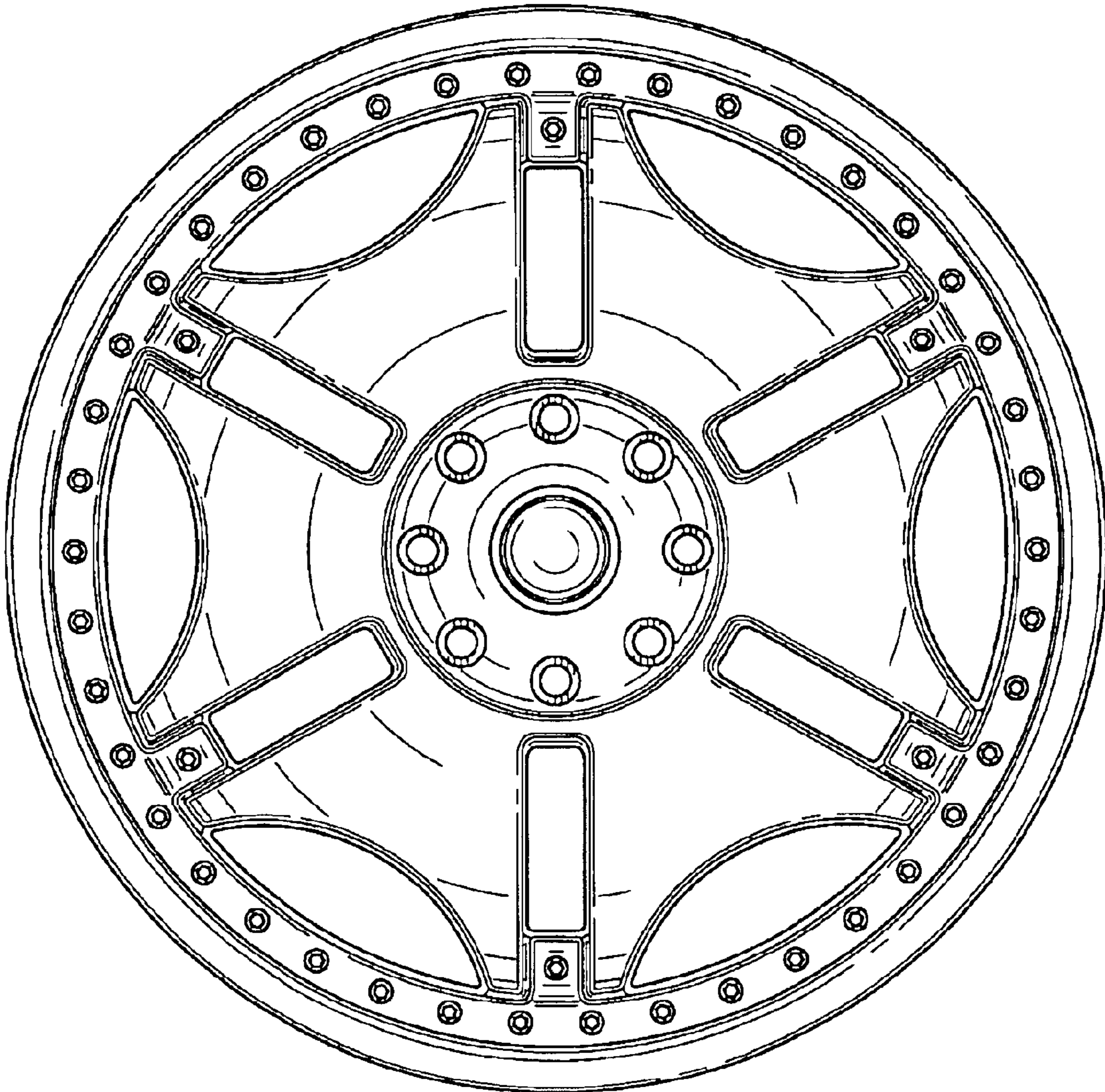


FIG. 4

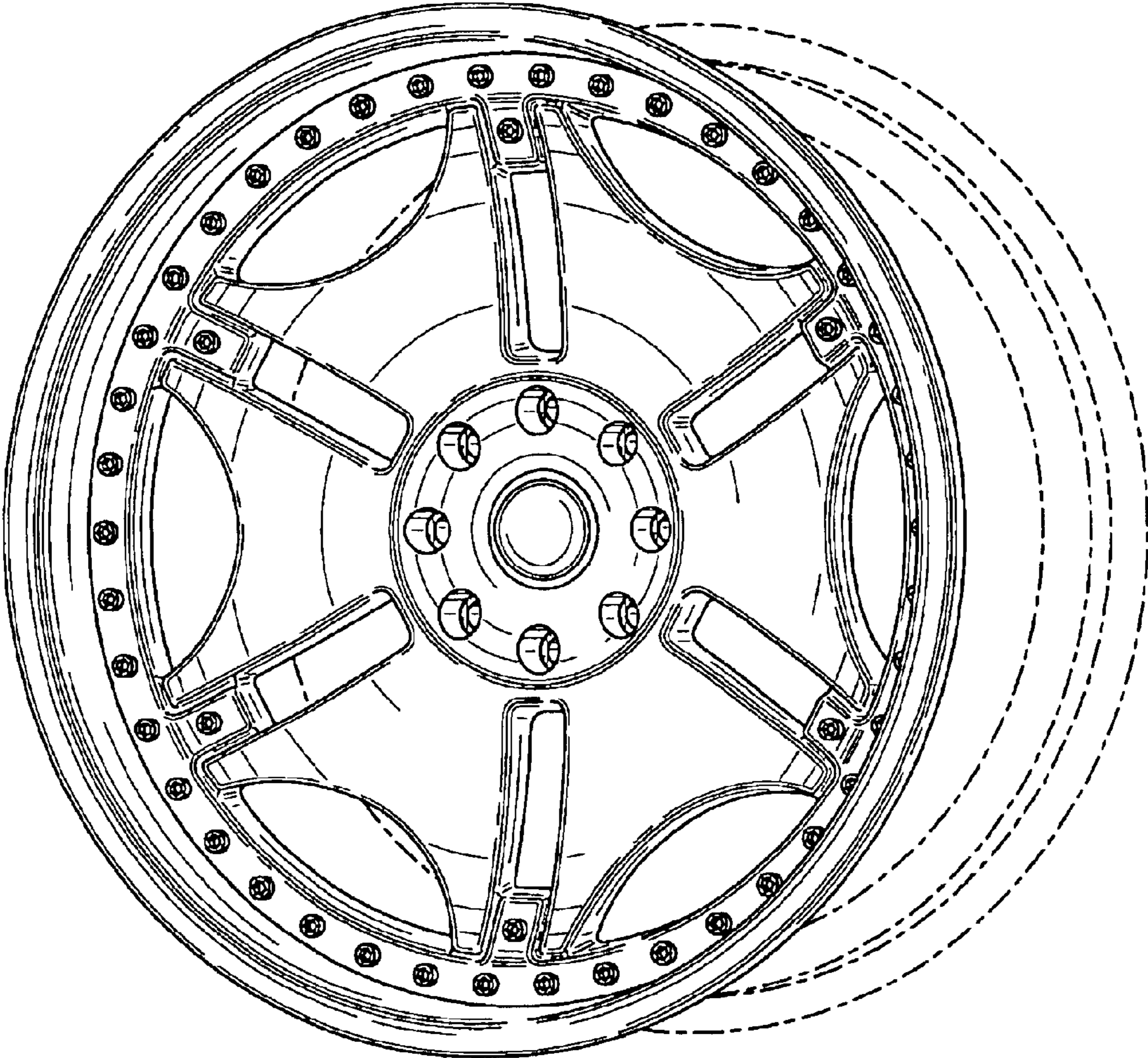


FIG. 5

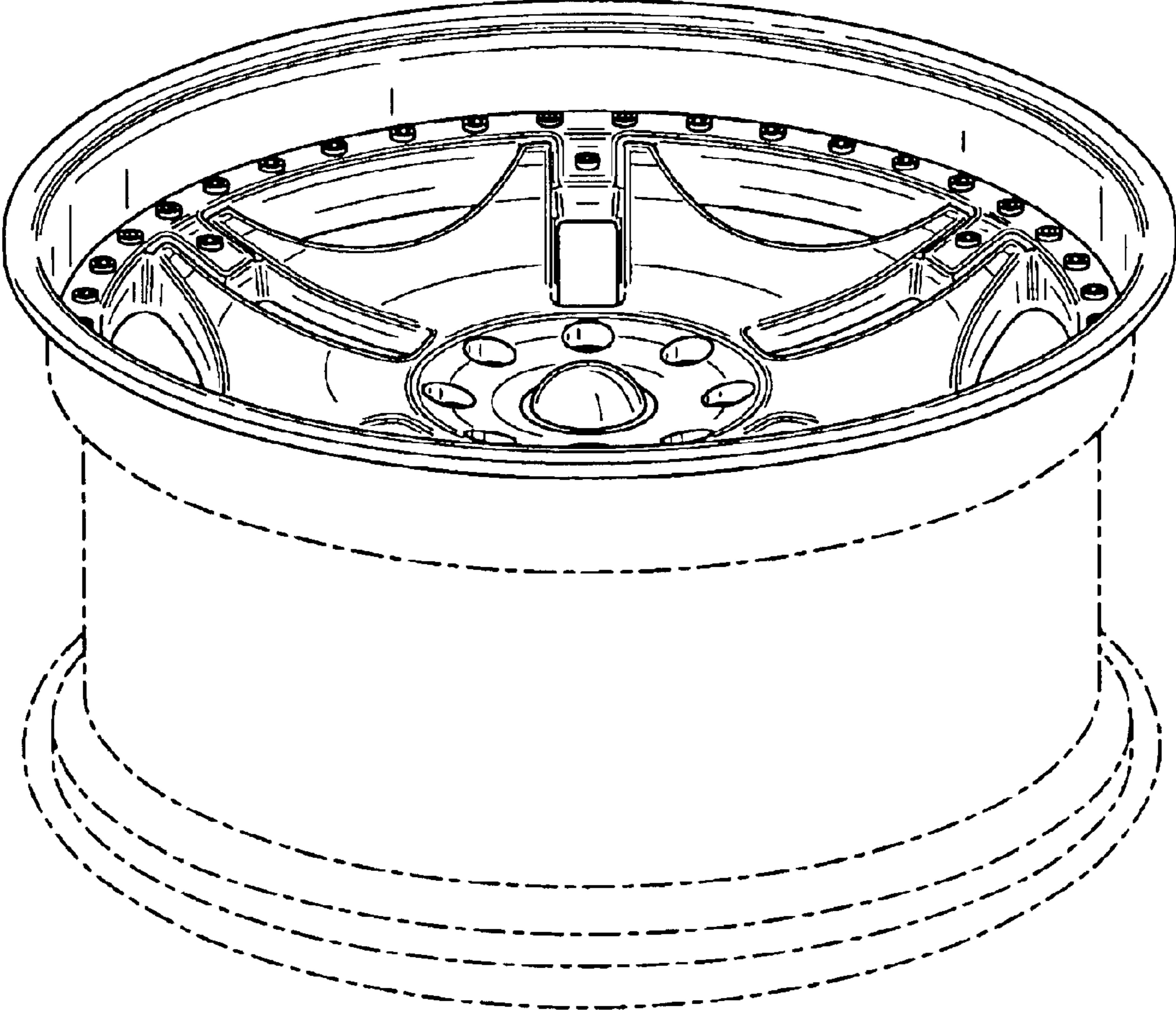


FIG. 6