

US00D494120S1

(12) **United States Design Patent**
Pfeiffer

(10) **Patent No.:** **US D494,120 S**

(45) **Date of Patent:** **** Aug. 10, 2004**

(54) **FRONT FACE OF A VEHICLE WHEEL**

(75) **Inventor:** **Peter Pfeiffer**, Boeblingen (DE)

(73) **Assignee:** **DaimlerChrysler AG**, Stuttgart (DE)

(**) **Term:** **14 Years**

(21) **Appl. No.:** **29/190,718**

(22) **Filed:** **Sep. 26, 2003**

(30) **Foreign Application Priority Data**

Mar. 26, 2003 (DE) 403 02 464

(51) **LOC (7) Cl.** **12-16**

(52) **U.S. Cl.** **D12/209**

(58) **Field of Search** D12/204-213;
301/37.101, 64.101, 65

(56) **References Cited**

U.S. PATENT DOCUMENTS

D84,319 S	*	6/1931	Beutke et al.	D12/209
D407,681 S	*	4/1999	Sacco et al.	D12/209
D451,066 S	*	11/2001	Pfeiffer et al.	D12/211
D454,531 S	*	3/2002	Amatino	D12/211
D460,032 S	*	7/2002	Mattin	D12/209

D461,155 S	*	8/2002	Takechi	D12/209
D471,144 S	*	3/2003	Pfeiffer	D12/209
D475,669 S	*	6/2003	Boyer	D12/209
D475,961 S	*	6/2003	Pfeiffer et al.	D12/211
D476,284 S	*	6/2003	Pfeiffer et al.	D12/211
D480,675 S	*	10/2003	Pfeiffer et al.	D12/211
D482,647 S	*	11/2003	Lecher et al.	D12/211
D484,446 S	*	12/2003	Pfeiffer et al.	D12/211

* cited by examiner

Primary Examiner—Stacia Cadmus

(74) *Attorney, Agent, or Firm*—Crowell & Moring LLP

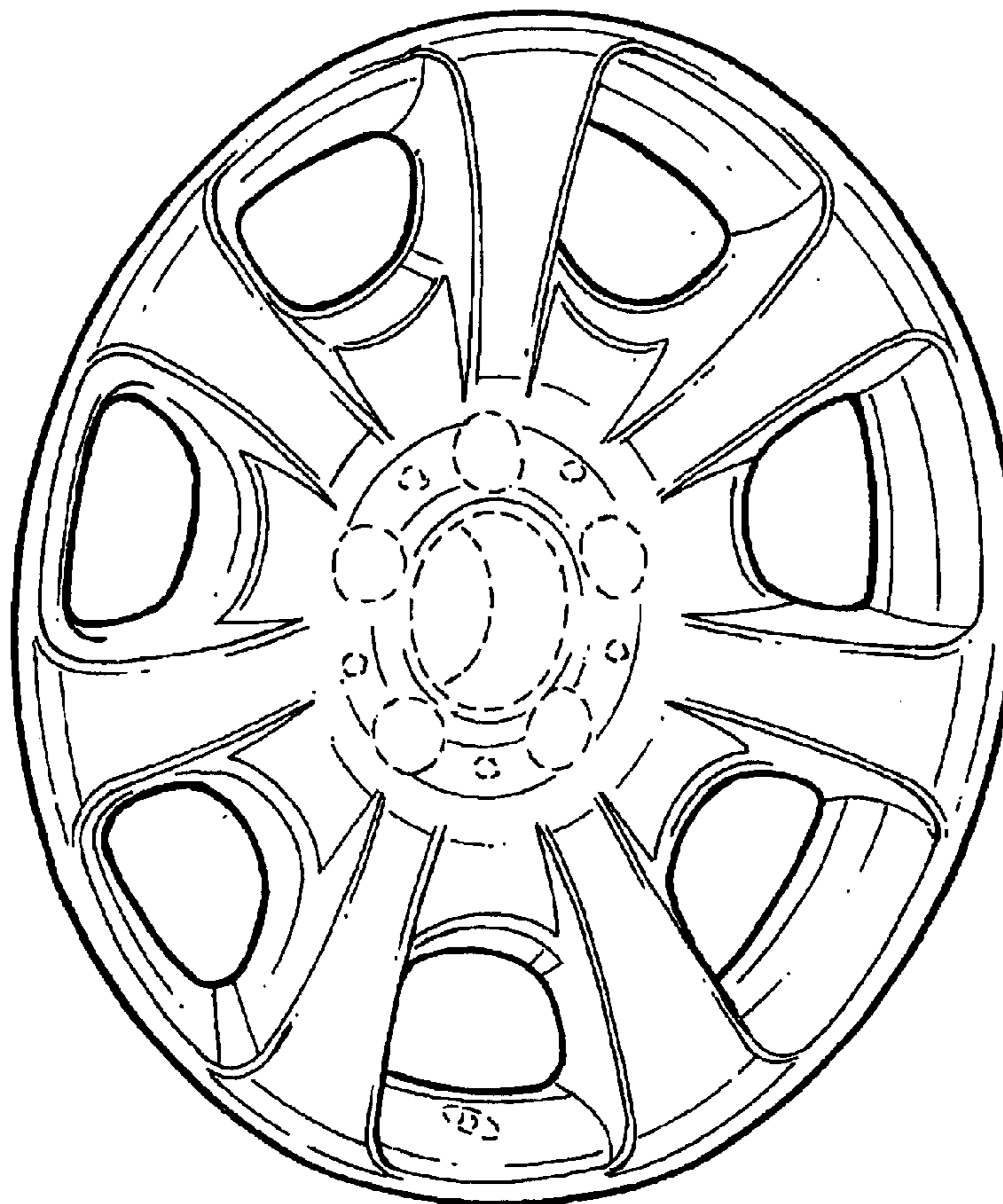
(57) **CLAIM**

The ornamental design for a front face of a vehicle wheel, as shown and described.

DESCRIPTION

FIG. 1 is a front view of a front face of a vehicle wheel according to my novel design; and, FIG. 2 is a perspective view of the front face of a vehicle wheel according to my novel design. The broken lines are for illustrative purposes only and form no part of the claimed design.

1 Claim, 1 Drawing Sheet



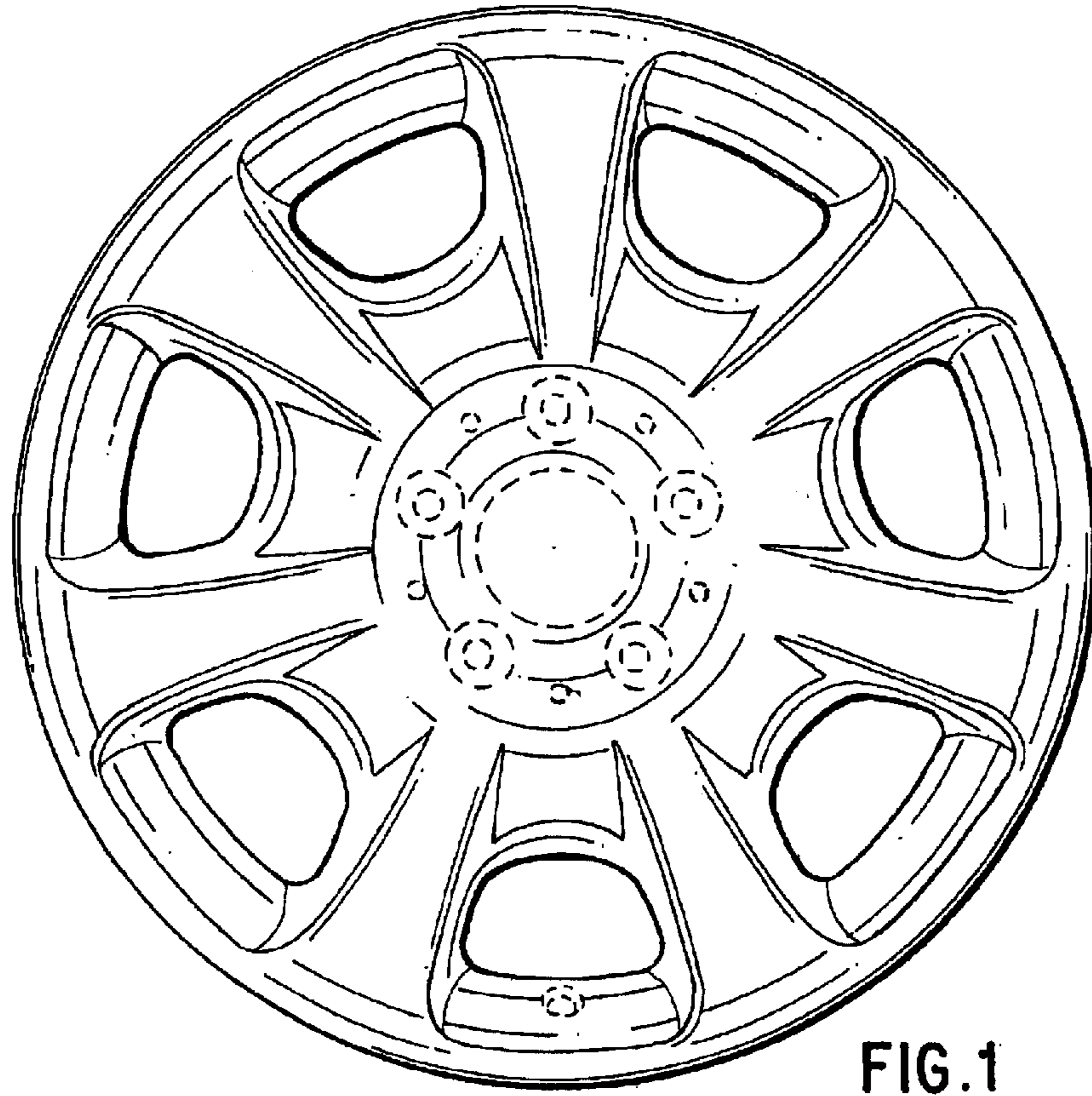


FIG. 1

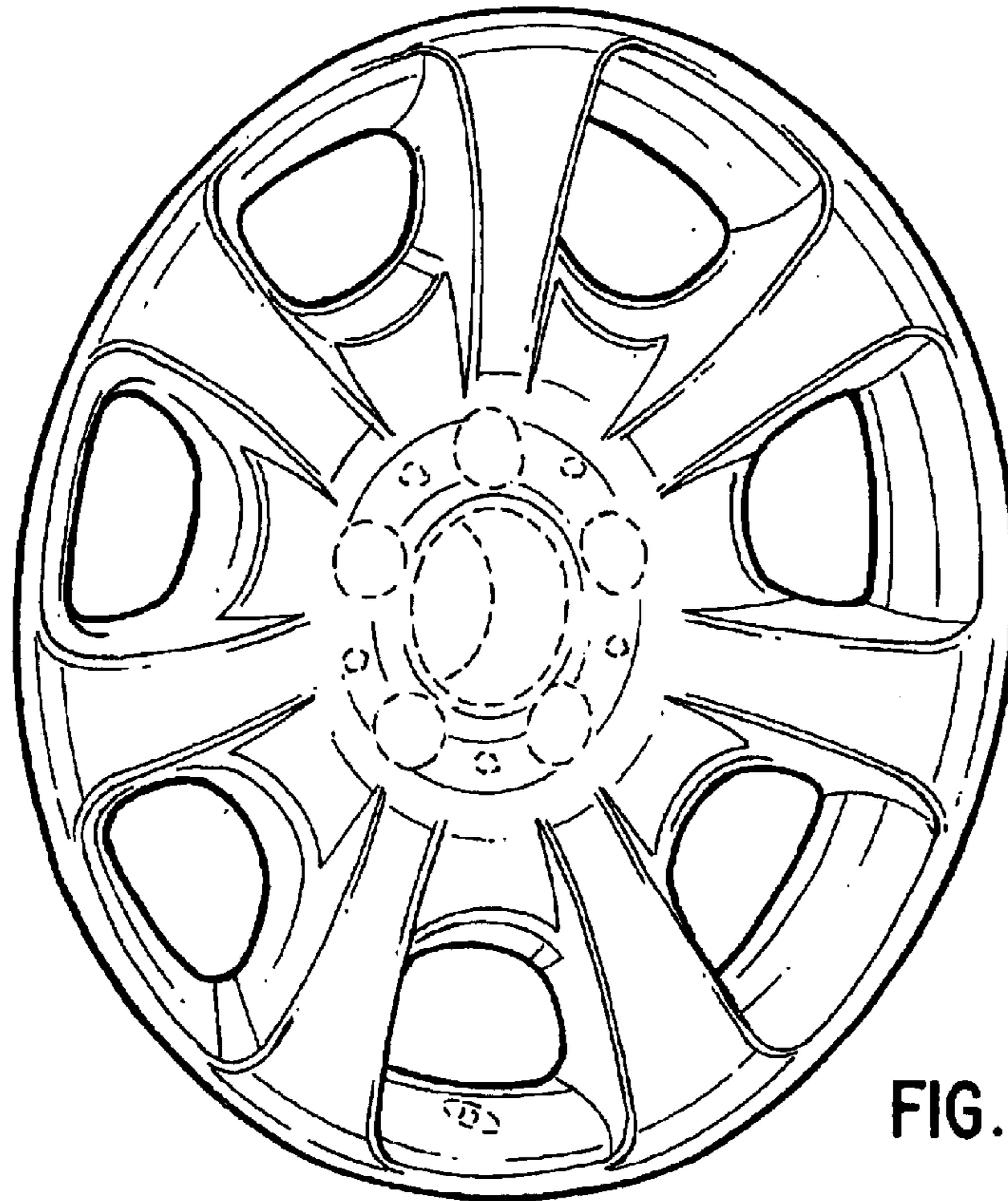


FIG. 2