

US00D494117S1

(12) **United States Design Patent**
Ruffin

(10) **Patent No.:** **US D494,117 S**
(45) **Date of Patent:** **** Aug. 10, 2004**

- (54) **TRUCK SIDE STEP**
- (76) **Inventor:** **Thomas Jerry Ruffin**, 450 Hwy. 49
South, Richland, MS (US) 39218
- (**) **Term:** **14 Years**
- (21) **Appl. No.:** **29/191,153**
- (22) **Filed:** **Oct. 3, 2003**
- (51) **LOC (7) Cl.** **12-16**
- (52) **U.S. Cl.** **D12/203**
- (58) **Field of Search** D12/203; 280/163-164.1,
280/166, 169, 153.5, 848; 182/90-92; D25/68-69,
62; 428/81-82; 238/14

- D324,019 S 2/1992 Bailey
- 5,139,295 A * 8/1992 Escobedo 293/117
- 5,513,866 A * 5/1996 Sisson 280/166
- D370,452 S * 6/1996 Beasley D12/203
- D381,948 S 8/1997 Schult
- D394,628 S 5/1998 Wentzel
- 6,082,752 A 7/2000 Sumrall
- 6,170,843 B1 * 1/2001 Maxwell et al. 280/166
- D444,754 S 7/2001 Storer
- D445,076 S * 7/2001 Weinerman D12/203
- D449,264 S 10/2001 Weinerman
- D463,345 S * 9/2002 Cipolla D12/203
- D474,728 S * 5/2003 Ruffin D12/203
- D477,555 S * 7/2003 Ruffin D12/203

* cited by examiner

Primary Examiner—Stacia Cadmus
(74) *Attorney, Agent, or Firm*—Jacobson Holman PLLC

(56) **References Cited**

U.S. PATENT DOCUMENTS

- D21,780 S * 8/1892 Wilson D12/203
- D22,404 S 5/1893 Pope
- 724,155 A 3/1903 Besse
- 753,334 A 3/1904 Vaughan
- 810,199 A 1/1906 Erret
- 3,266,594 A 8/1966 Antosh et al.
- 3,329,443 A 7/1967 Lowder et al.
- 3,572,753 A 3/1971 Claassen
- 3,758,134 A 9/1973 Stewart
- 3,762,742 A 10/1973 Bucklen
- D239,378 S 3/1976 Stecker, Sr.
- 4,017,093 A * 4/1977 Stecker, Sr. 280/163
- T977,005 I4 12/1978 Sidles, Jr. et al.
- 4,605,098 A 8/1986 Leuty
- D293,667 S 1/1988 Weiler
- D296,431 S * 6/1988 Yont D12/203
- D296,887 S 7/1988 Walling et al.
- D315,134 S * 3/1991 Springer D12/203
- D316,394 S * 4/1991 Carr D12/203
- 5,007,654 A 4/1991 Sauber

(57) **CLAIM**

The ornamental design for a truck side step, as shown and described.

DESCRIPTION

FIG. 1 is a perspective view showing my new design for a truck side step;
FIG. 2 is a top view thereof;
FIG. 3 is a bottom view thereof;
FIG. 4 is a right side view thereof;
FIG. 5 is a left side view thereof;
FIG. 6 is a front view thereof;
FIG. 7 is a rear view thereof; and,
FIG. 8 is a perspective view, the portion shown in dotted lines forming no part of my design, being for illustrative purposes only.

1 Claim, 5 Drawing Sheets

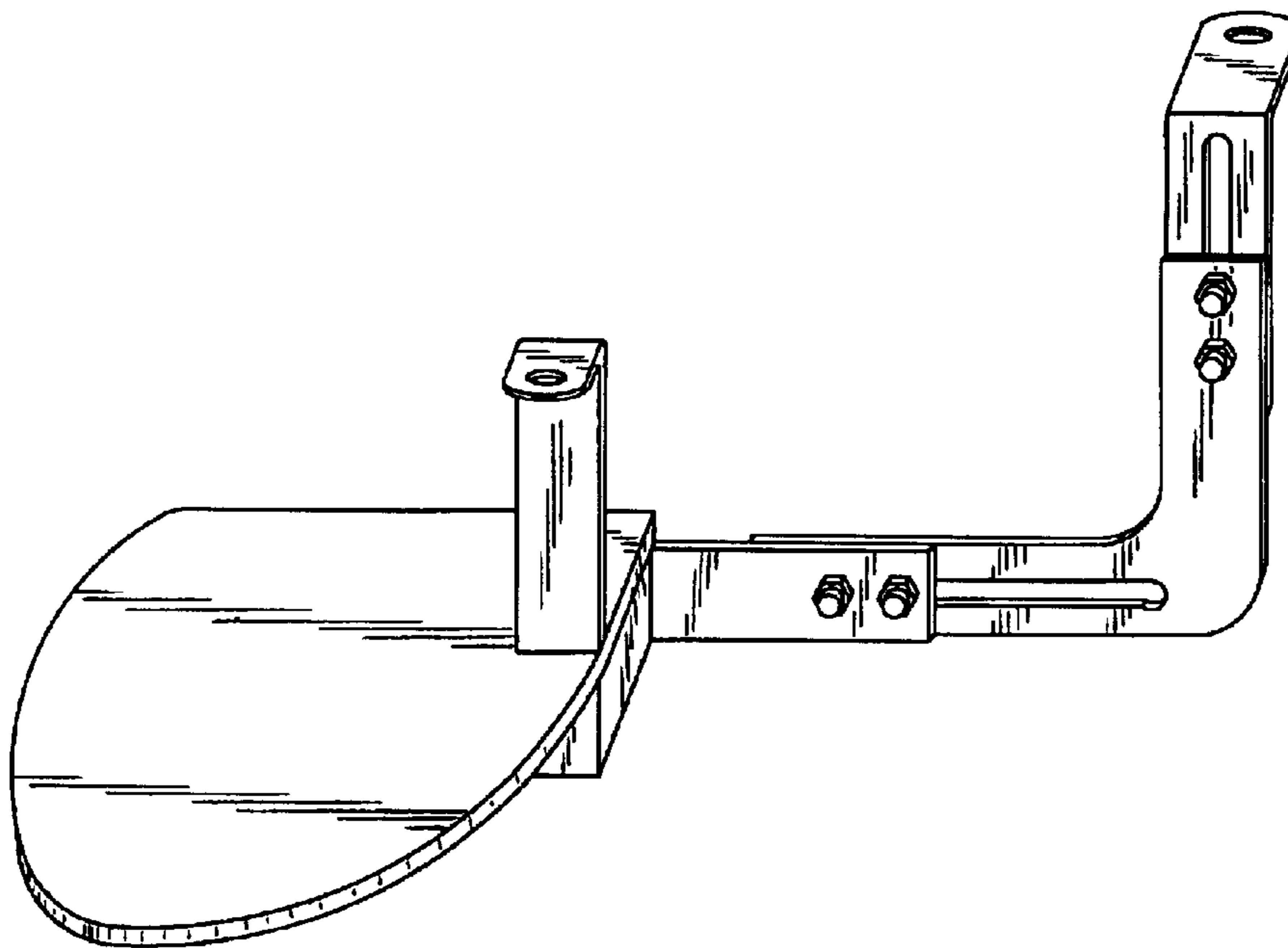


FIG. 1

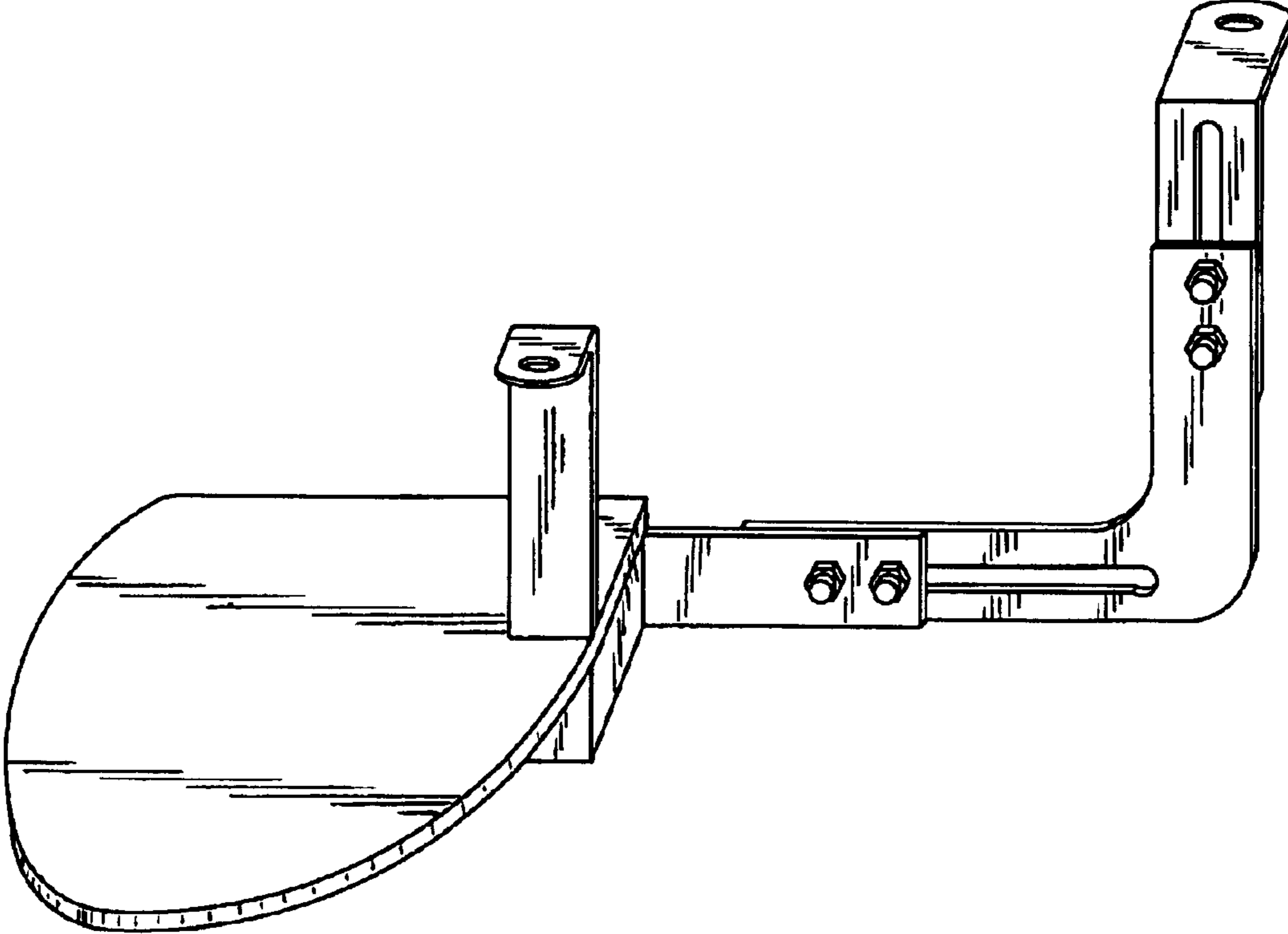


FIG. 2

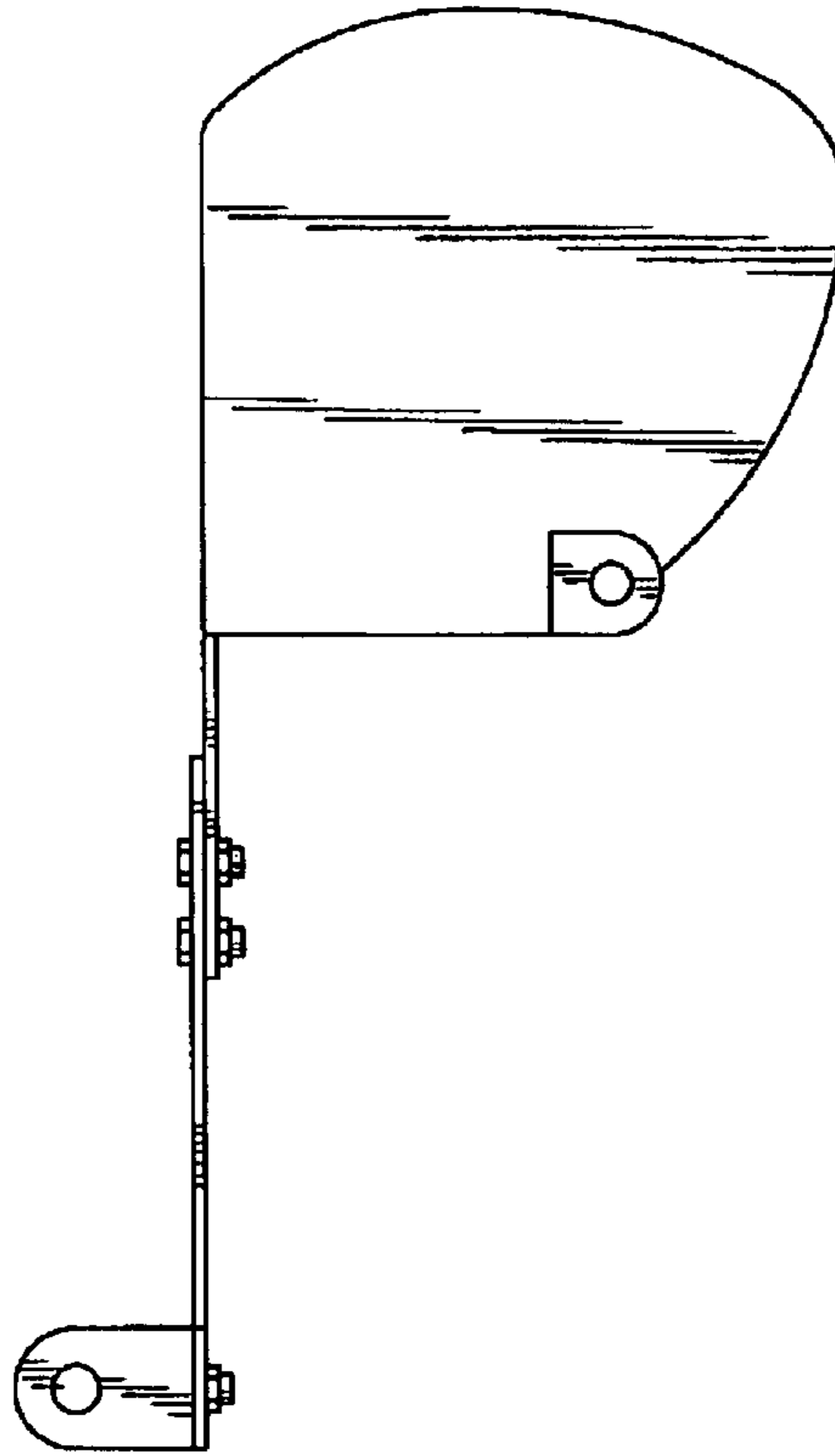


FIG. 3

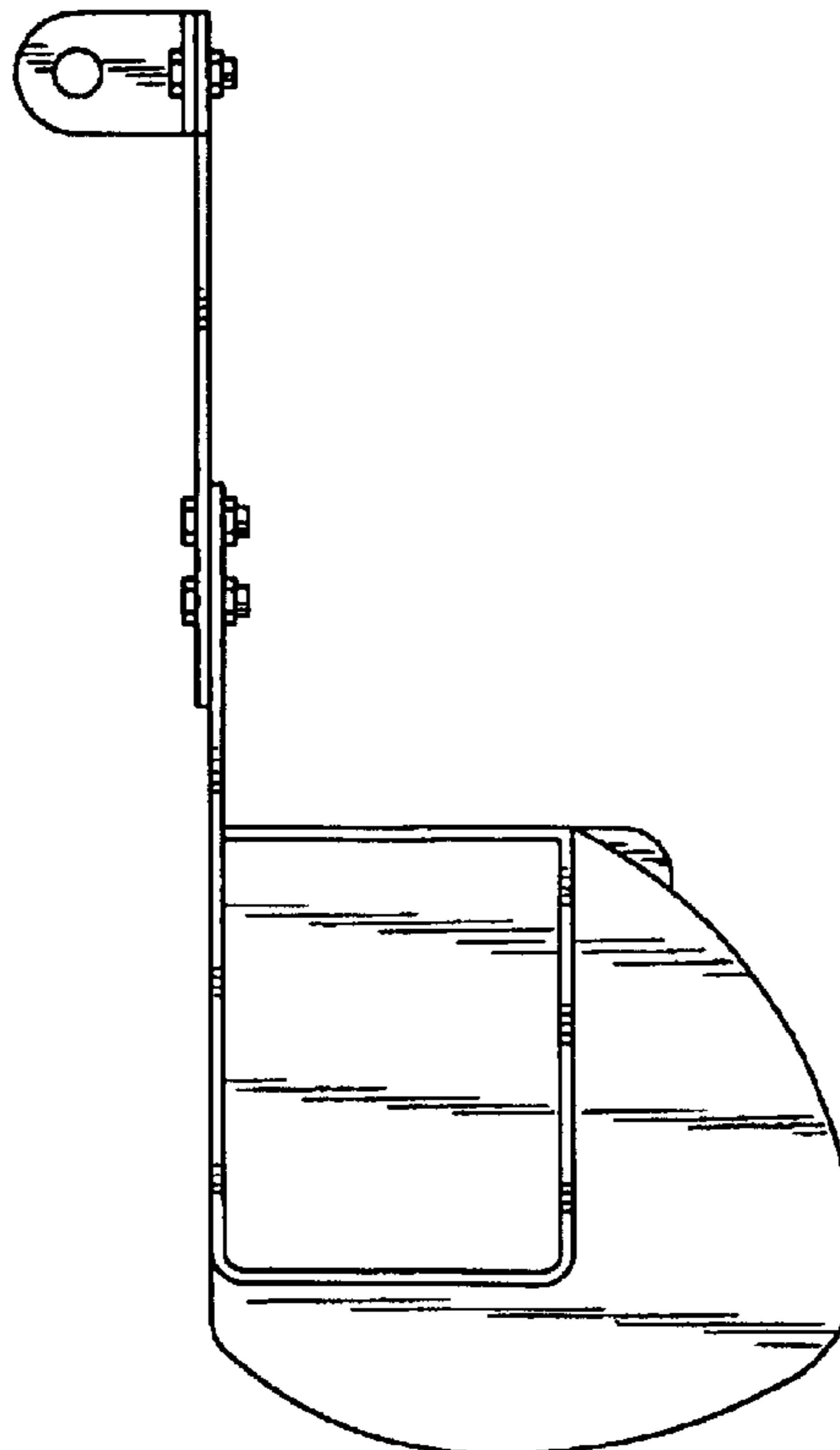


FIG. 4

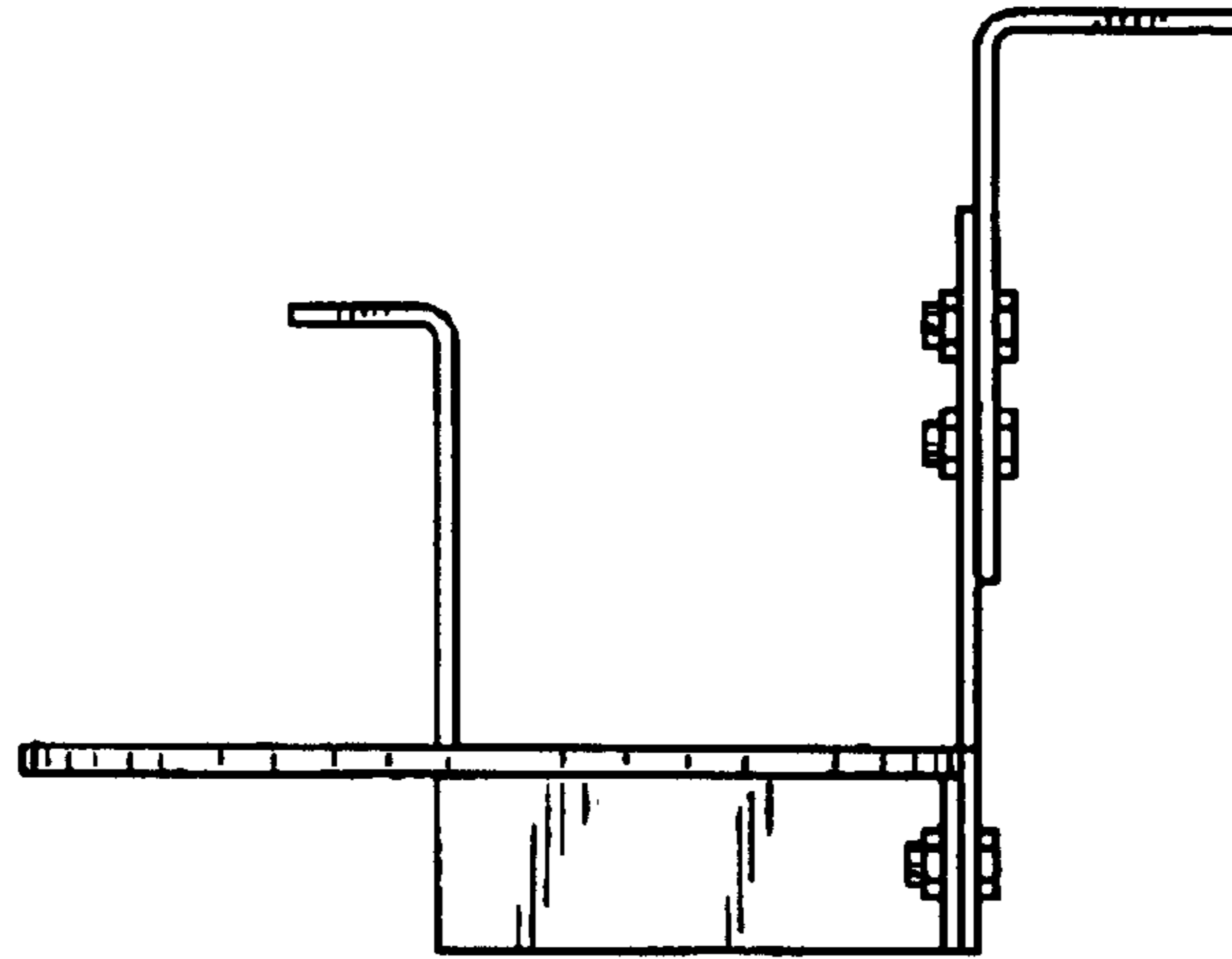


FIG. 5

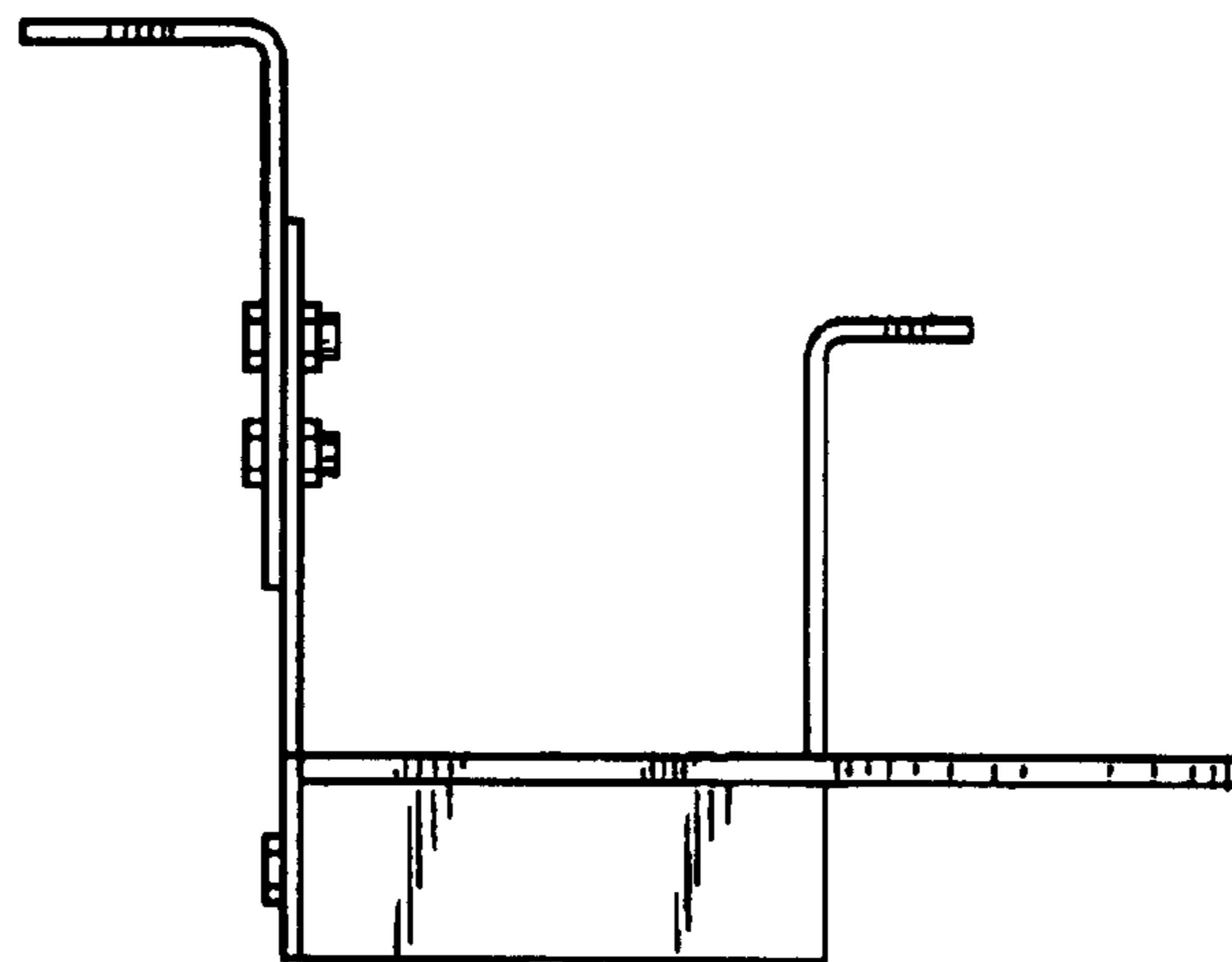


FIG. 6

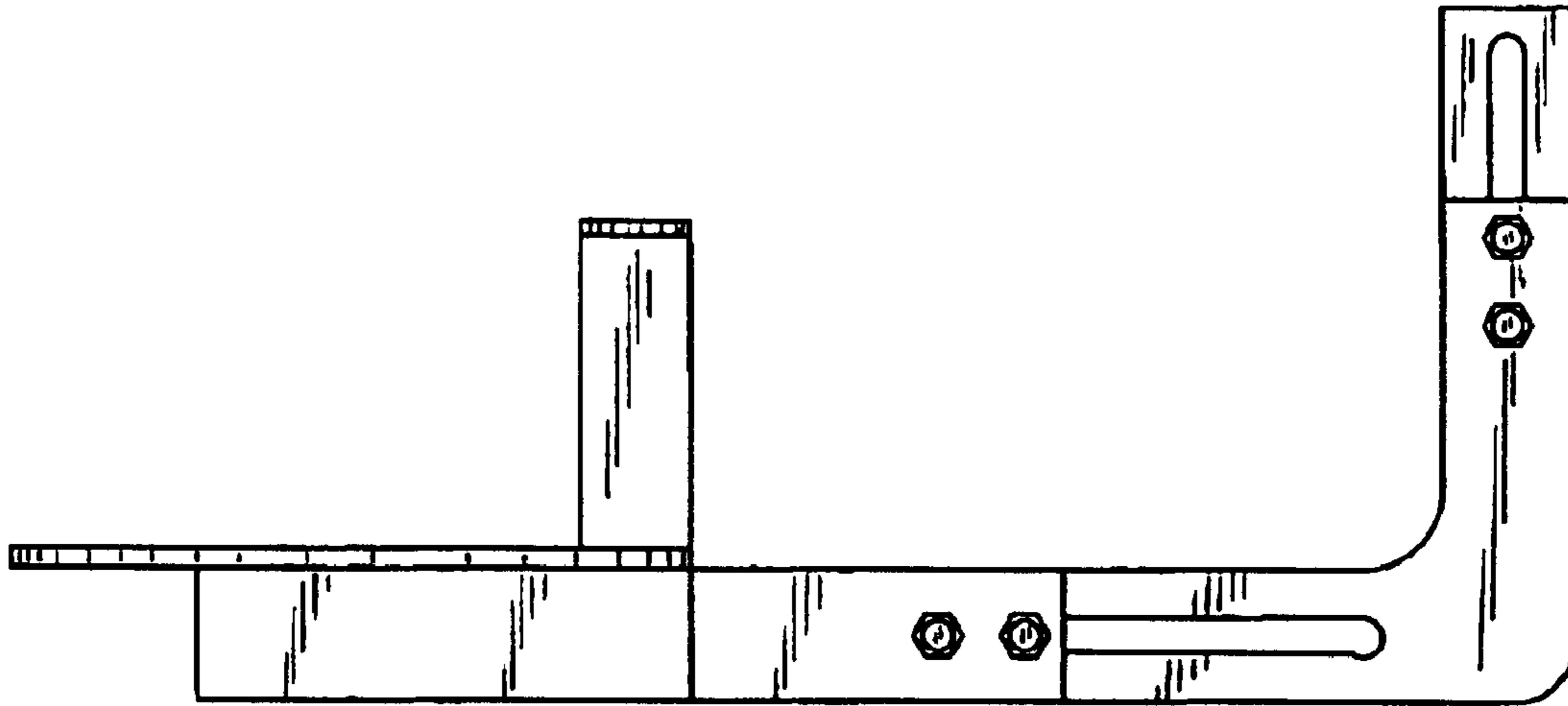


FIG. 7

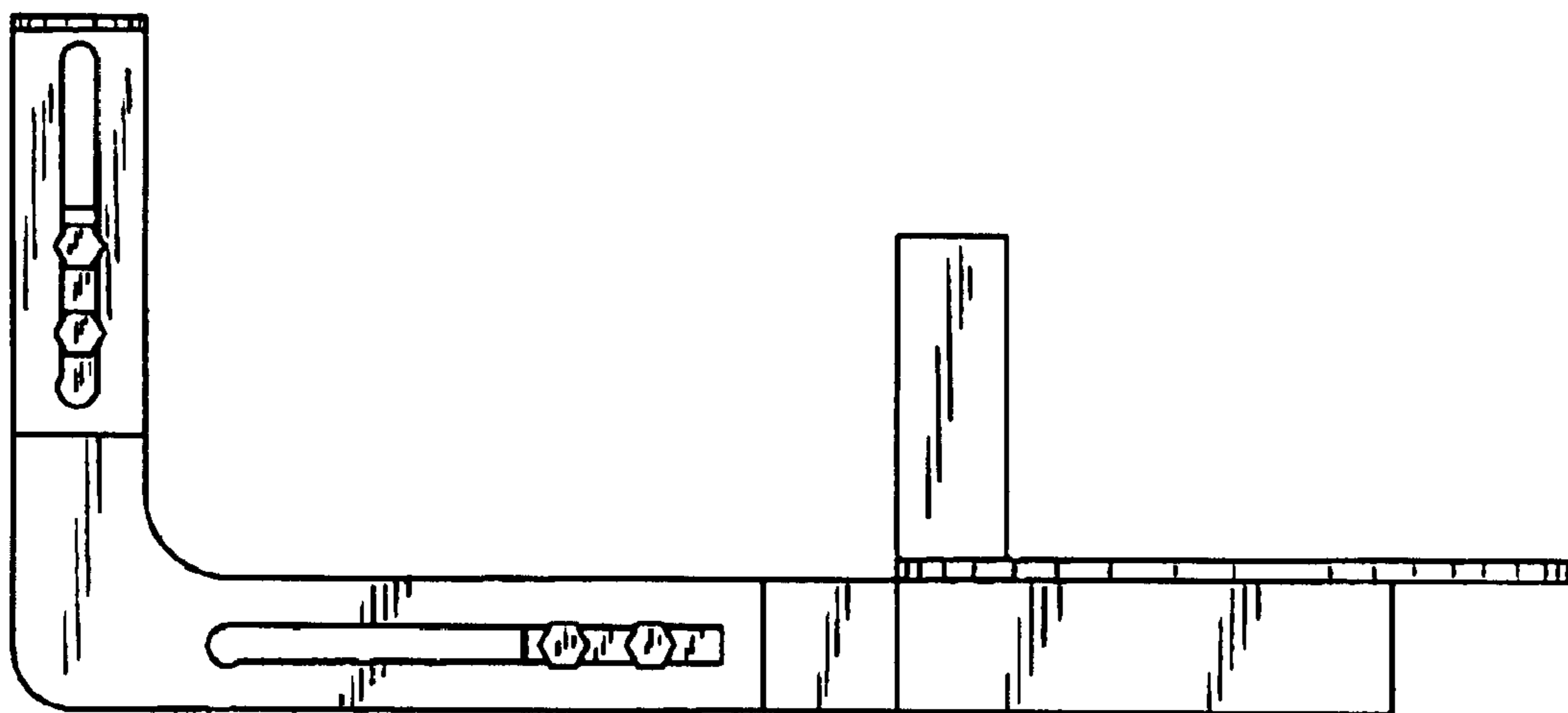


FIG. 8

