

US00D494113S1

(12) **United States Design Patent**
Hall et al.

(10) **Patent No.:** **US D494,113 S**

(45) **Date of Patent:** **** Aug. 10, 2004**

(54) **VEHICLE GRILLE**

D474,428 S * 5/2003 Hill et al. D12/163
D476,604 S * 7/2003 Longfellow D12/163
D480,997 S * 10/2003 DeBerti D12/163

(75) Inventors: **Jarad William Hall**, Manhattan Beach, CA (US); **Joshua Targownik**, Los Angeles, CA (US); **Don Lariviere**, Whitter, CA (US); **Aimee Renee Sadle**, Pasadena, CA (US); **Don Herner**, Anahiem Hills, CA (US); **Thomas Hahn Kim**, Reseda, CA (US)

* cited by examiner

Primary Examiner—Melody N. Brown
(74) *Attorney, Agent, or Firm*—Plumsea Law Group, LLC

(73) Assignee: **Honda Giken Kogyo Kabushiki Kaisha**, Tokyo (JP)

(57) **CLAIM**

The ornamental design for a vehicle grille, as shown and described.

(**) Term: **14 Years**

DESCRIPTION

(21) Appl. No.: **29/190,101**

FIG. 1 is a perspective view of a vehicle grille showing our new design;

(22) Filed: **Sep. 16, 2003**

FIG. 2 is a side elevational view thereof, the opposite side elevational view being a mirror image;

(51) **LOC (7) Cl.** **12-16**

(52) **U.S. Cl.** **D12/163**

FIG. 3 is a top plan view thereof; and,

(58) **Field of Search** D12/163, 173,

D12/90-92, 196, 169; 296/194; 180/68.1, 68.6, 69.1, 69.2, 69.21, 69.22

FIG. 4 is a front elevational view thereof.

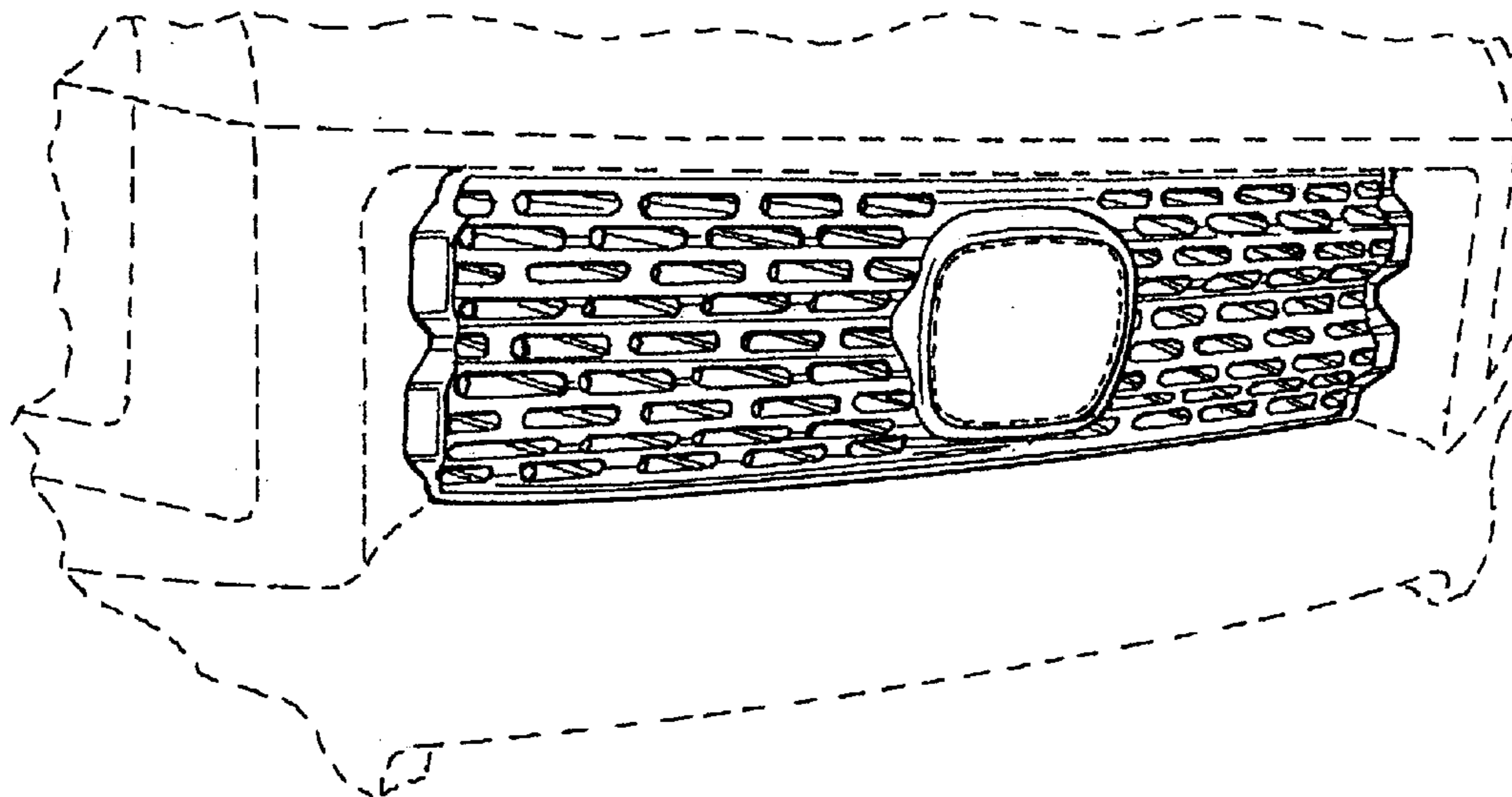
The broken line showings of the center marquee and the remainder of the vehicle front end are for illustrative purposes only and form no part of the claimed invention.

(56) **References Cited**

U.S. PATENT DOCUMENTS

D472,854 S * 4/2003 Weber et al. D12/163

1 Claim, 2 Drawing Sheets



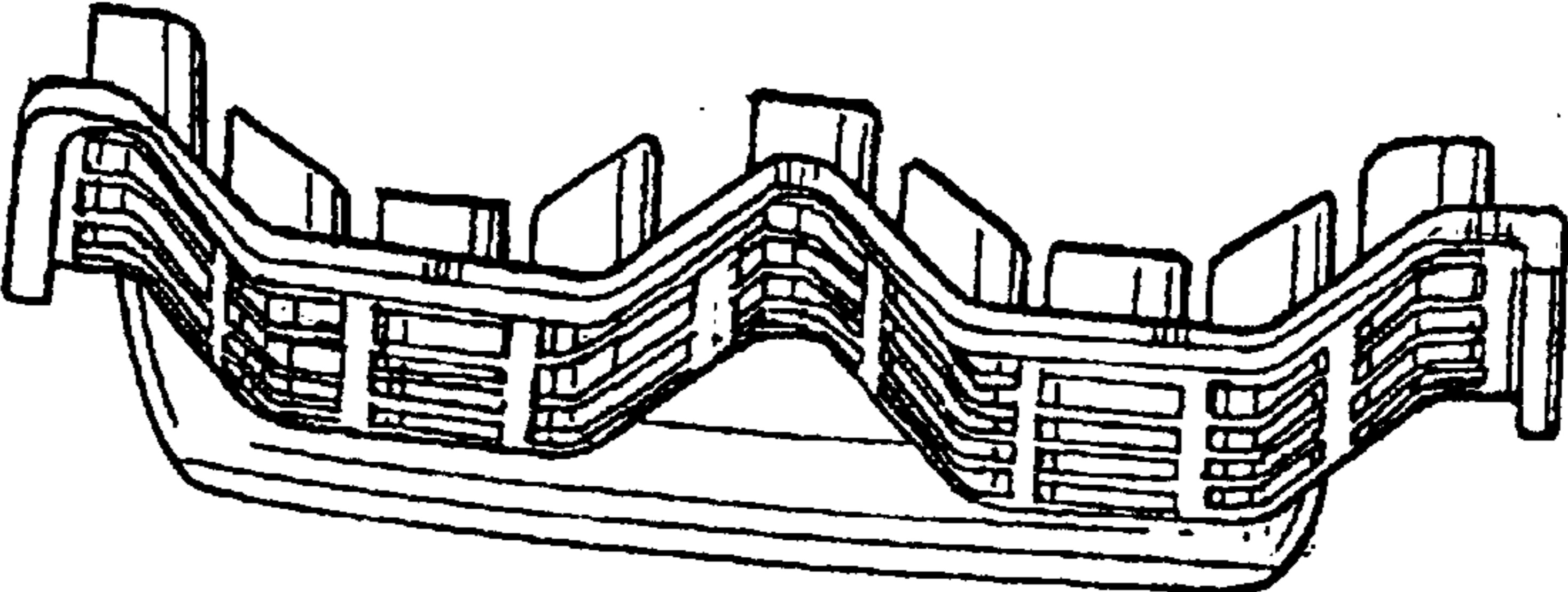


FIG. 2

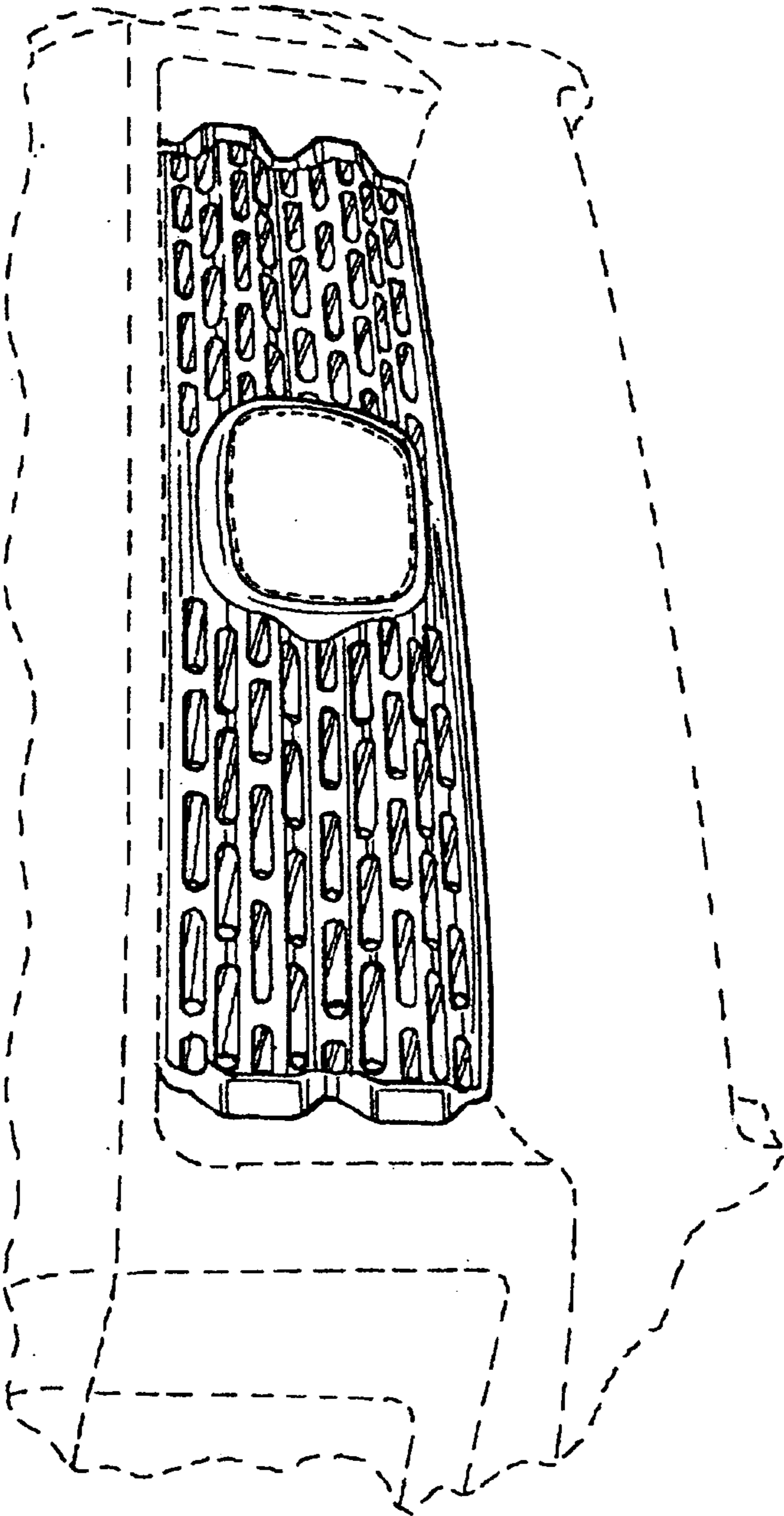


FIG. 1

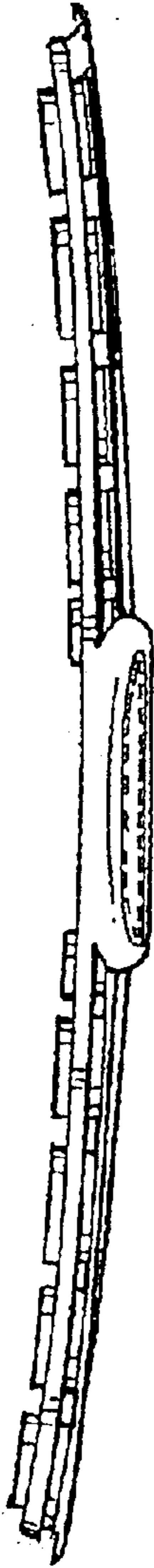


FIG. 3

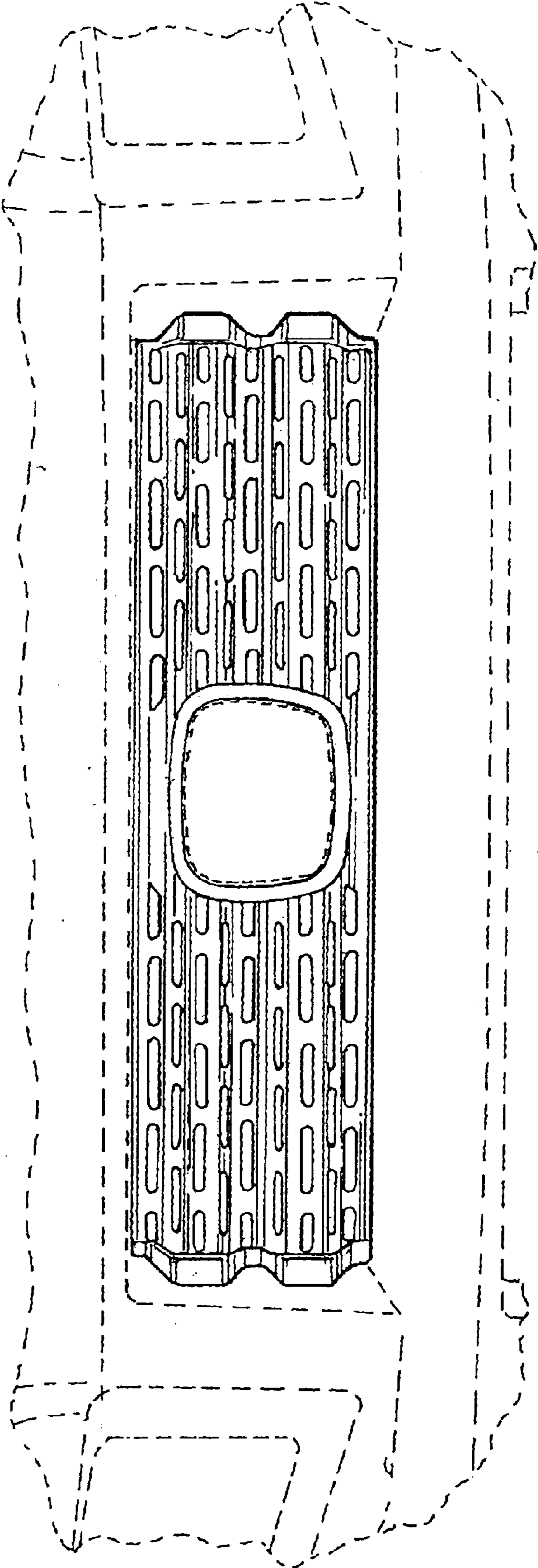


FIG. 4