

US00D494107S1

(12) **United States Design Patent**
Lin

(10) **Patent No.:** **US D494,107 S**

(45) **Date of Patent:** **** Aug. 10, 2004**

(54) **MOTORCYCLE FRAME**

(76) **Inventor:** **Hsi-Ho Lin**, No. 6, Lane 226,
Chung-Hua Rd., Wu-Jih Hsiang,
Taichung Hsien (TW)

(**) **Term:** **14 Years**

(21) **Appl. No.:** **29/189,215**

(22) **Filed:** **Aug. 29, 2003**

(51) **LOC (7) Cl.** **12-11**

(52) **U.S. Cl.** **D12/110**

(58) **Field of Search** D12/110, 117;
280/274, 281.1, 283-288, 288.1, 288.3;
180/219, 311

(56) **References Cited**

U.S. PATENT DOCUMENTS

- D56,551 S * 11/1920 Campling D12/110
- D212,404 S * 10/1968 Bauer et al. D12/110
- 5,480,001 A * 1/1996 Hara 180/311 X

* cited by examiner

Primary Examiner—Alan P. Douglas

Assistant Examiner—Linda Brooks

(74) *Attorney, Agent, or Firm*—MacPherson Kwok Chen &
Heid LLP

(57) **CLAIM**

The ornamental design for a motorcycle frame, as shown
and described.

DESCRIPTION

FIG. 1 is a perspective view of motorcycle frame showing
my new design;

FIG. 2 is a front elevational view thereof;

FIG. 3 is a rear elevational view thereof;

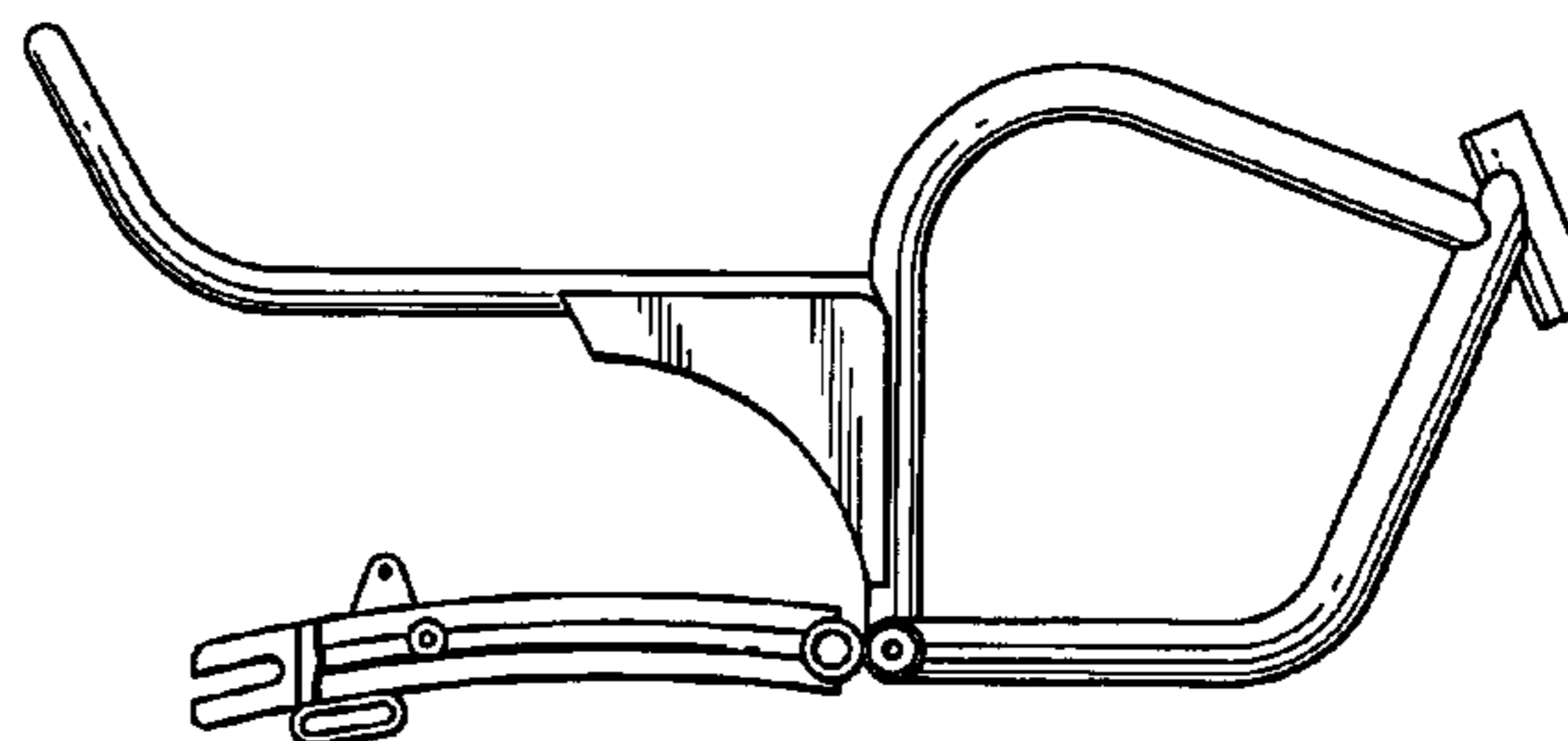
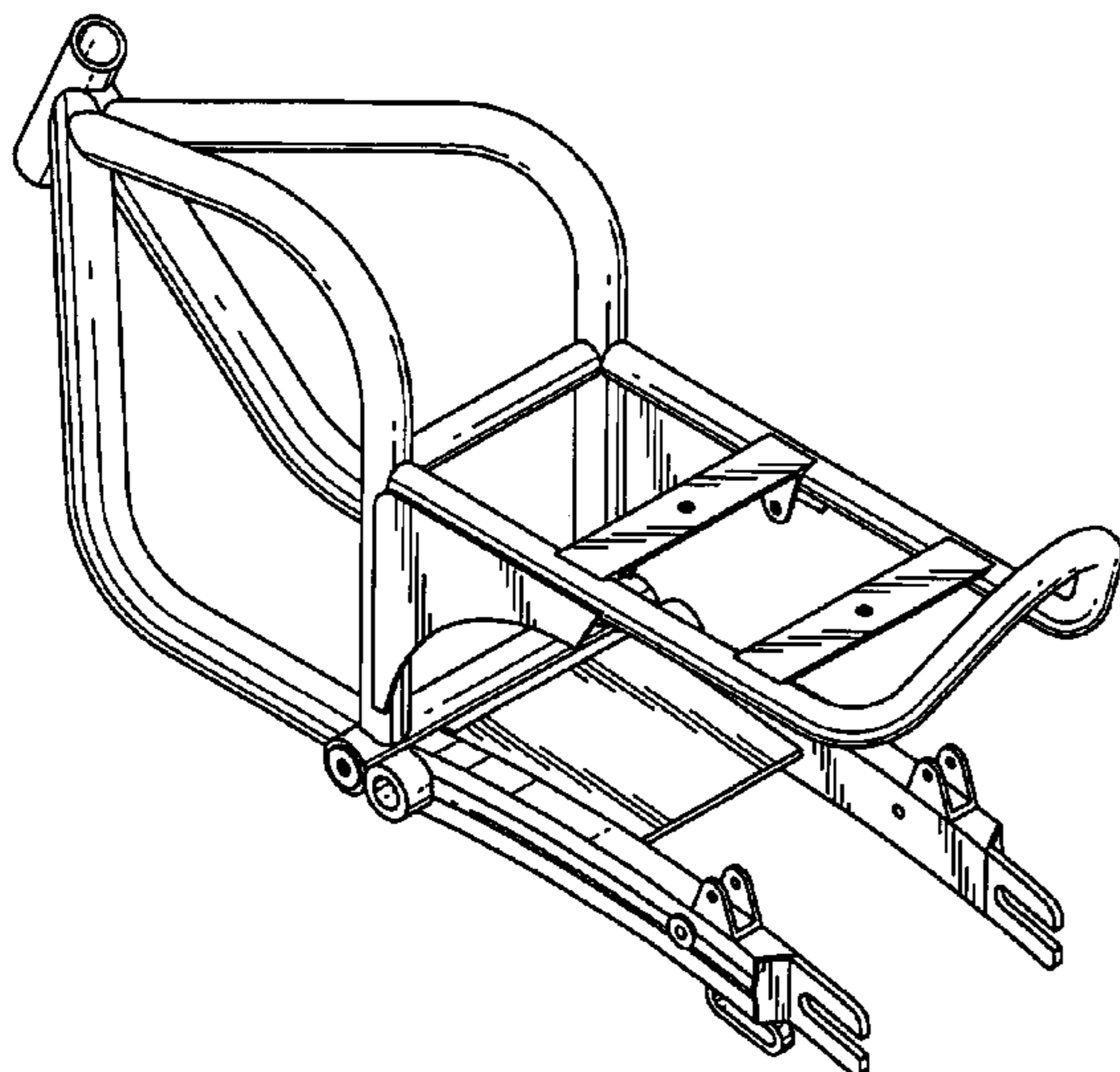
FIG. 4 is a left side elevational view thereof;

FIG. 5 is a right side elevational view thereof;

FIG. 6 is a top plan view thereof; and,

FIG. 7 is a bottom plan view thereof.

1 Claim, 4 Drawing Sheets



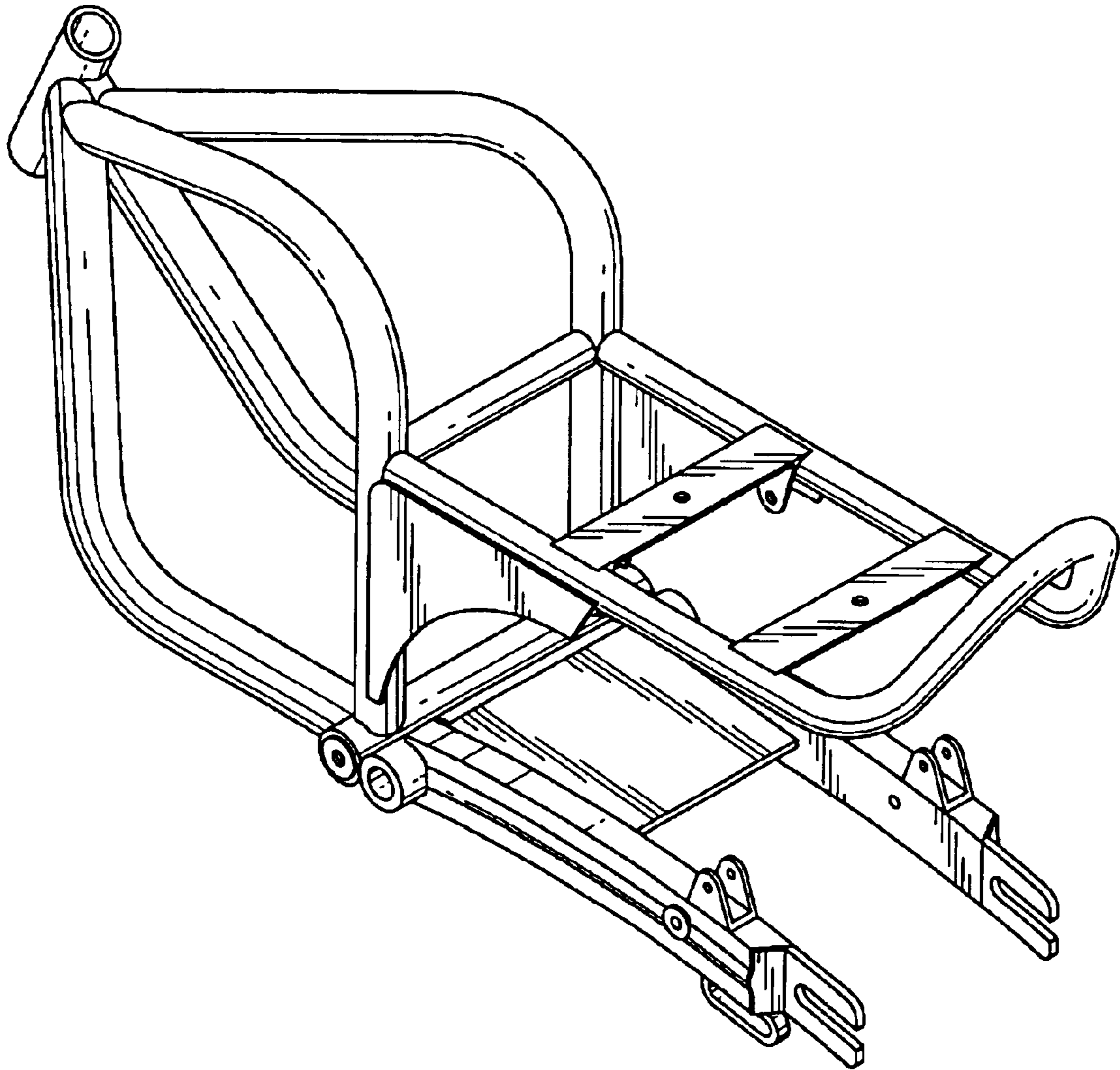


FIG. 1

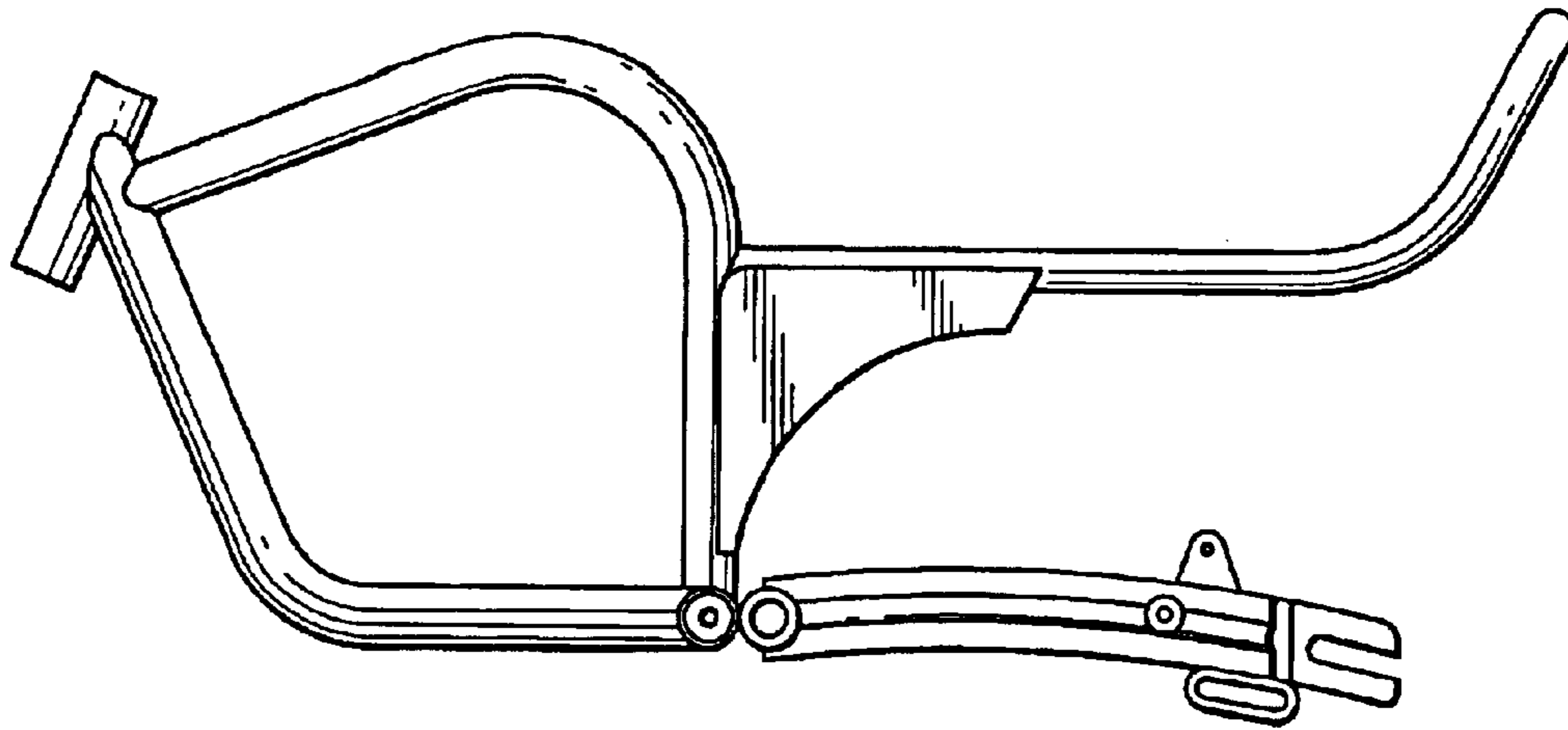


FIG. 2

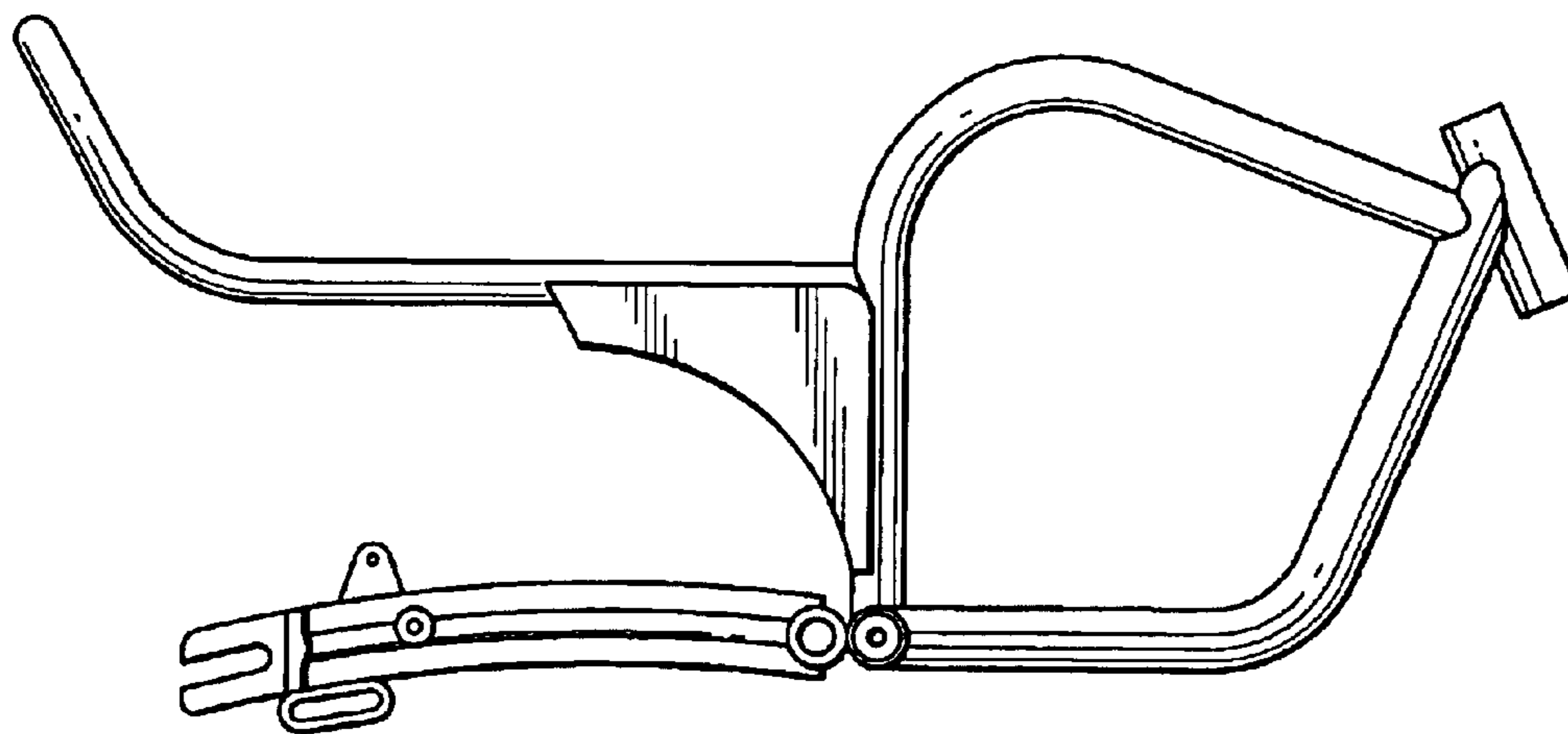


FIG. 3

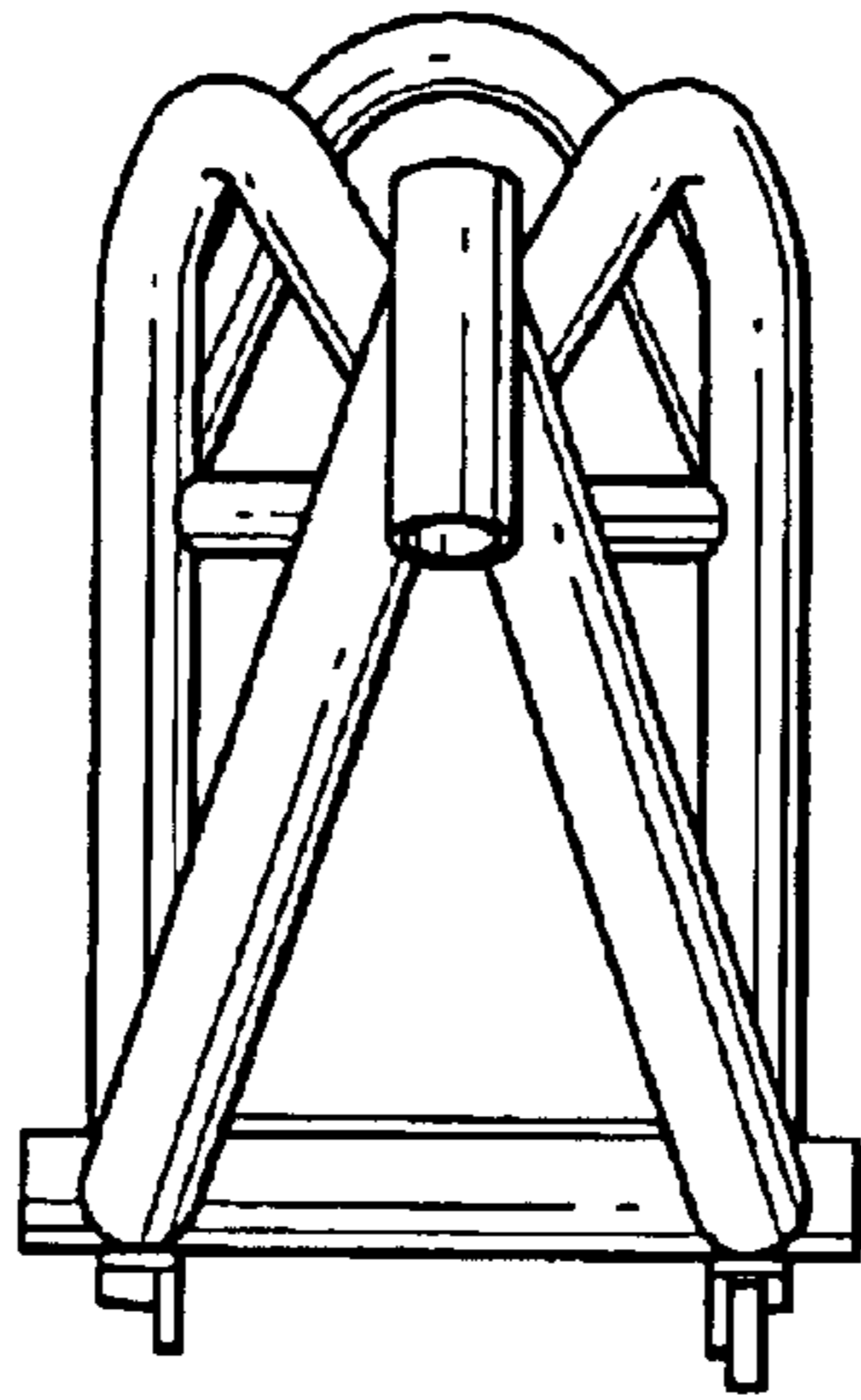


FIG. 4

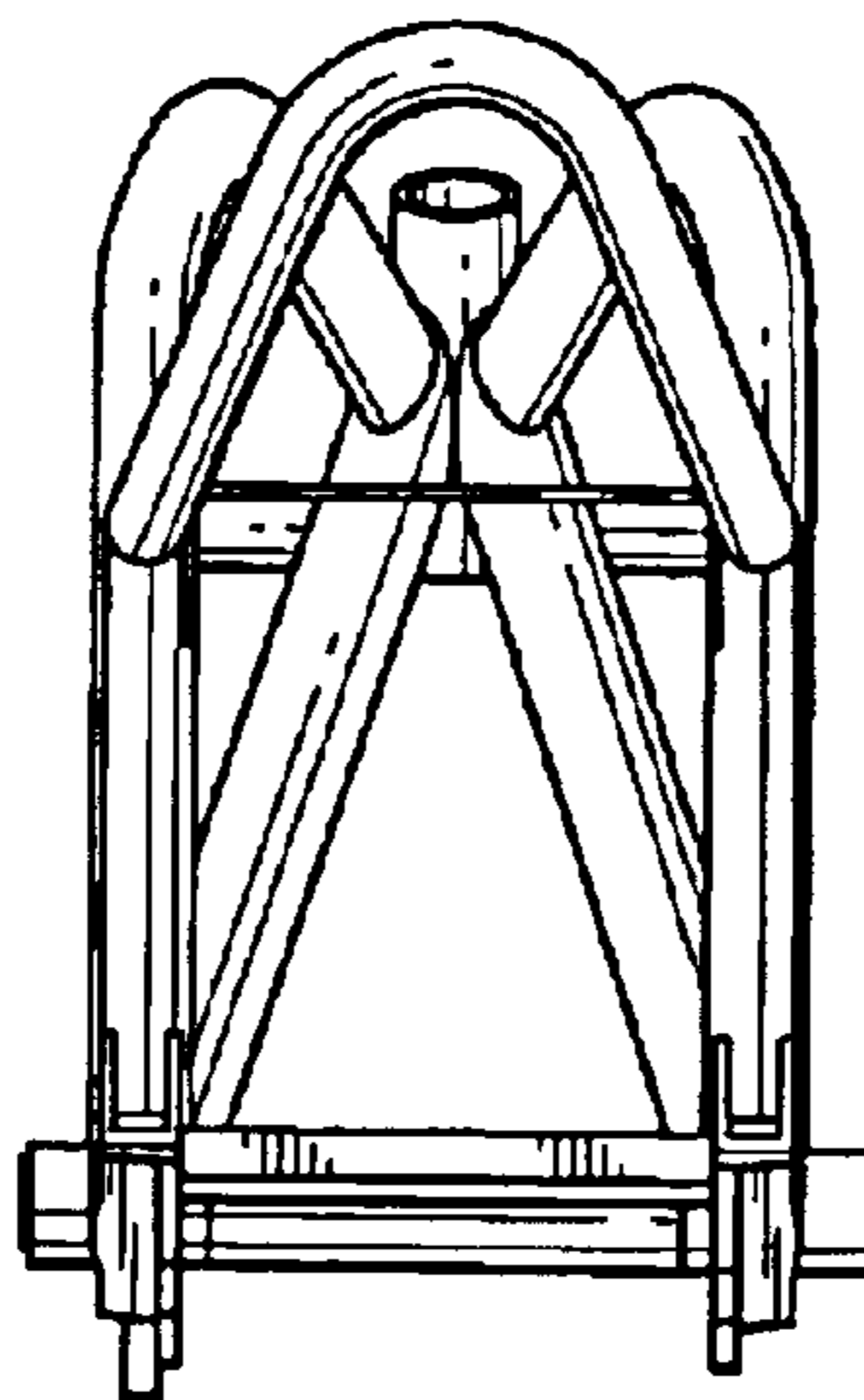


FIG. 5

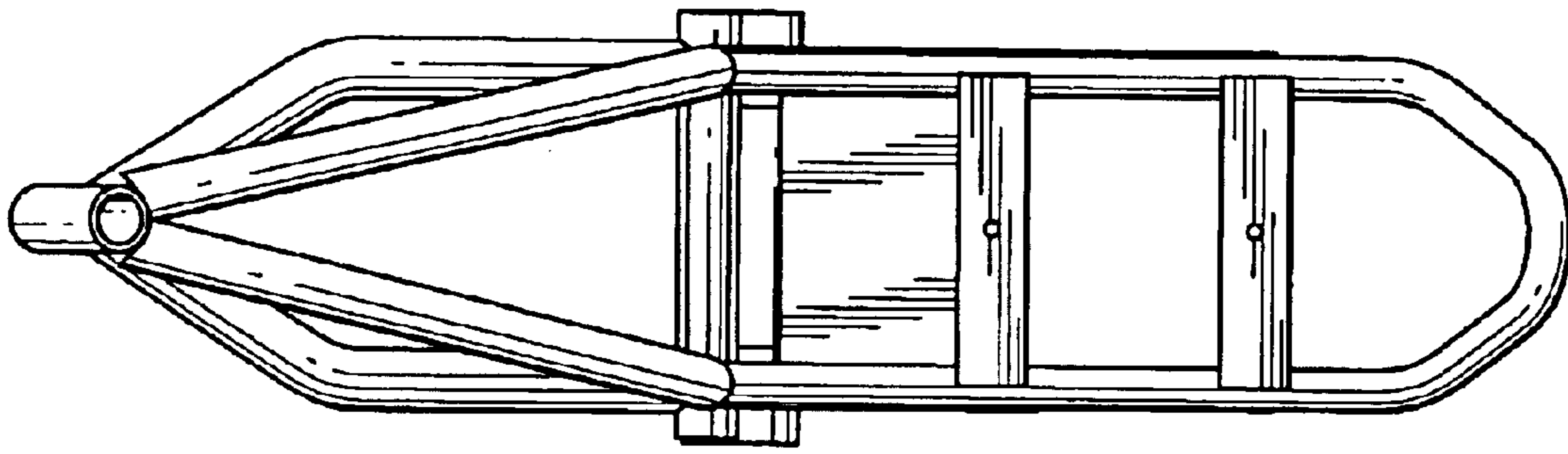


FIG. 6

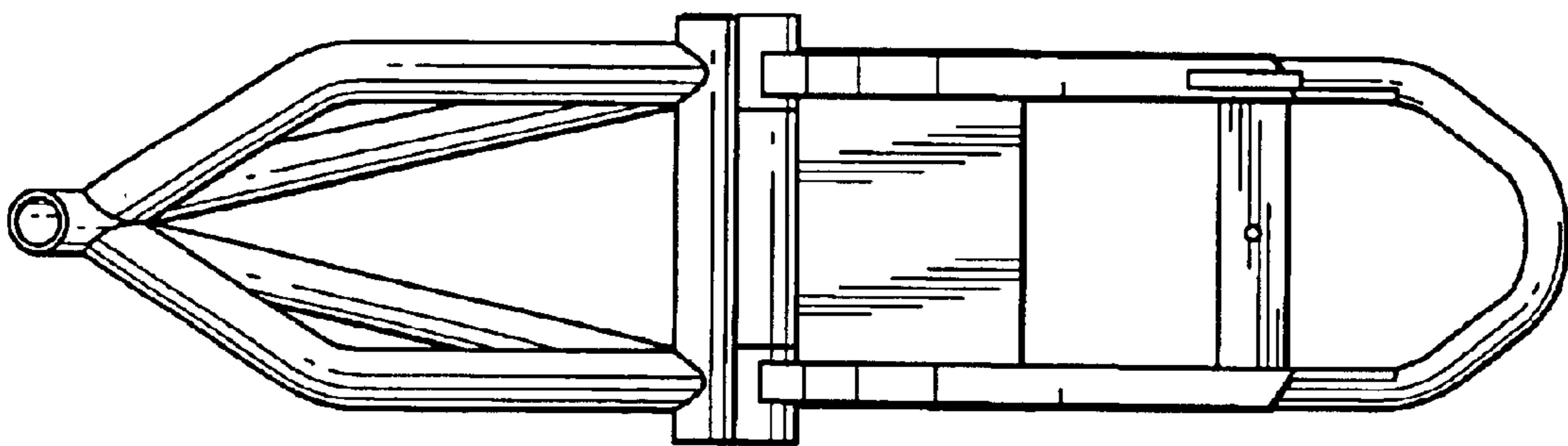


FIG. 7