

US00D494104S1

(12) **United States Design Patent**
Okonkwo

(10) **Patent No.:** **US D494,104 S**

(45) **Date of Patent:** **** Aug. 10, 2004**

(54) **CROSSOVER VEHICLE BODY**

Primary Examiner—Melody N Brown

(75) Inventor: **Chidi Okonkwo**, 670 McGill Pl.,
Atlanta, GA (US) 30312

(57) **CLAIM**

The ornamental design for a crossover vehicle body, as shown and described.

(73) Assignee: **Chidi Okonkwo**, Atlanta, GA (US)

(**) Term: **14 Years**

DESCRIPTION

(21) Appl. No.: **29/188,105**

FIG. 1 is a front perspective view of the crossover vehicle body, showing my new design;

(22) Filed: **Aug. 14, 2003**

FIG. 2 is a rear perspective view thereof, showing the two sections of the rear windshield and the turn signal mounted in place of the porter window;

(51) **LOC (7) Cl.** **12-08**

(52) **U.S. Cl.** **D12/92**

(58) **Field of Search** D12/90-92, 86;
D21/424, 433; 296/185

FIG. 3 is a side view thereof, showing the turn signal mounted in place of the porter window and the turn signal that runs from the front of the vehicle, around the hood and ends at the base of the front passenger window;

(56) **References Cited**

U.S. PATENT DOCUMENTS

D456,310 S	*	4/2002	Okonkwo	D12/86
D466,054 S	*	11/2002	Hsu	D12/92
D467,524 S	*	12/2002	Desmond	D12/92
D469,038 S	*	1/2003	Mattin et al.	D12/91
D484,440 S	*	12/2003	Okonkwo	D12/92

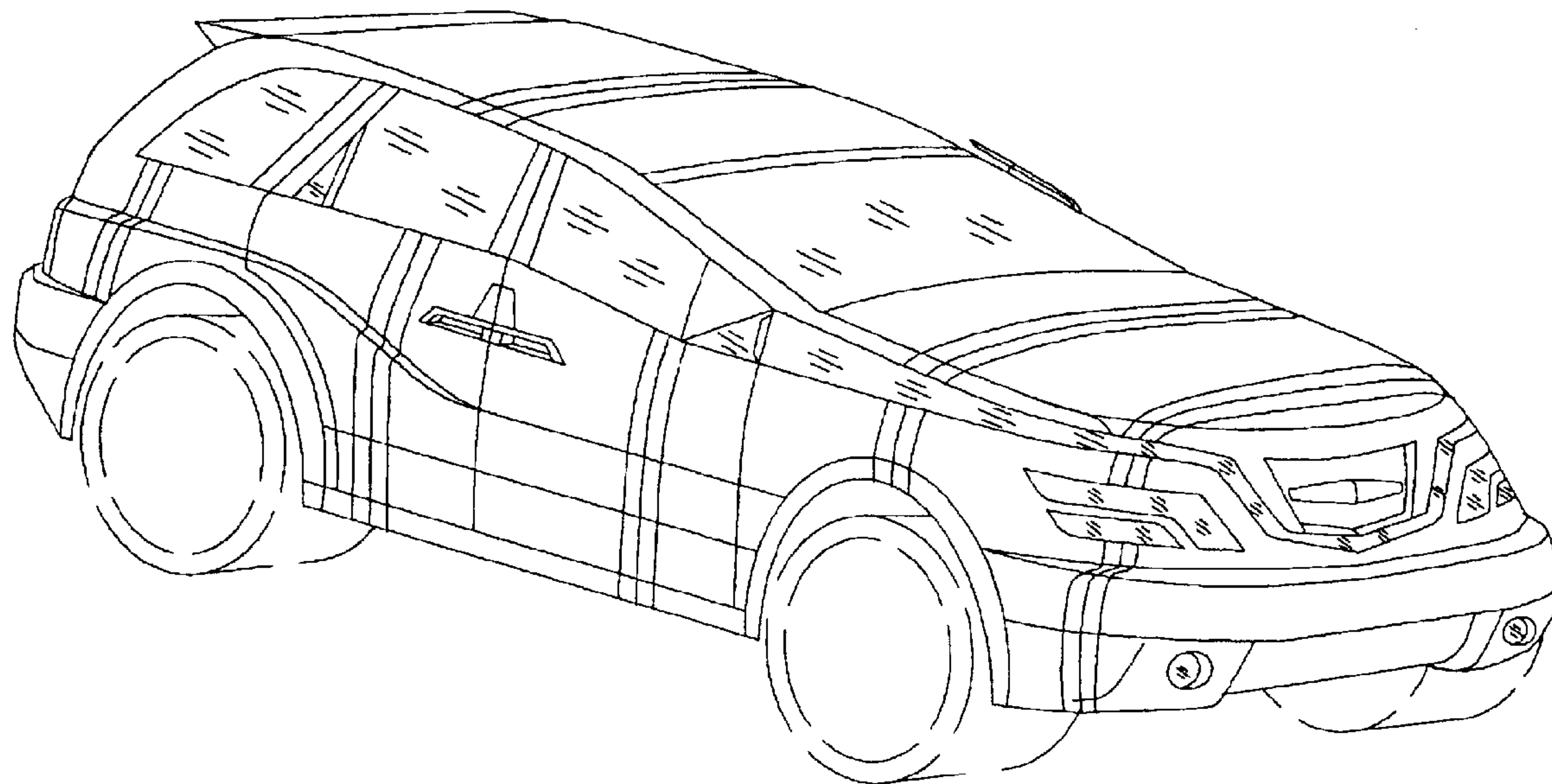
FIG. 4 is a front view thereof showing the sleek headlights, which have two sections each;

FIG. 5 is a rear view thereof showing the four circular, indented rear turn signals; and,

FIG. 6 is a rear perspective view thereof, showing the two parts of the rear windshield opened outwards and the four circular, indented rear turn signal lights.

* cited by examiner

1 Claim, 5 Drawing Sheets



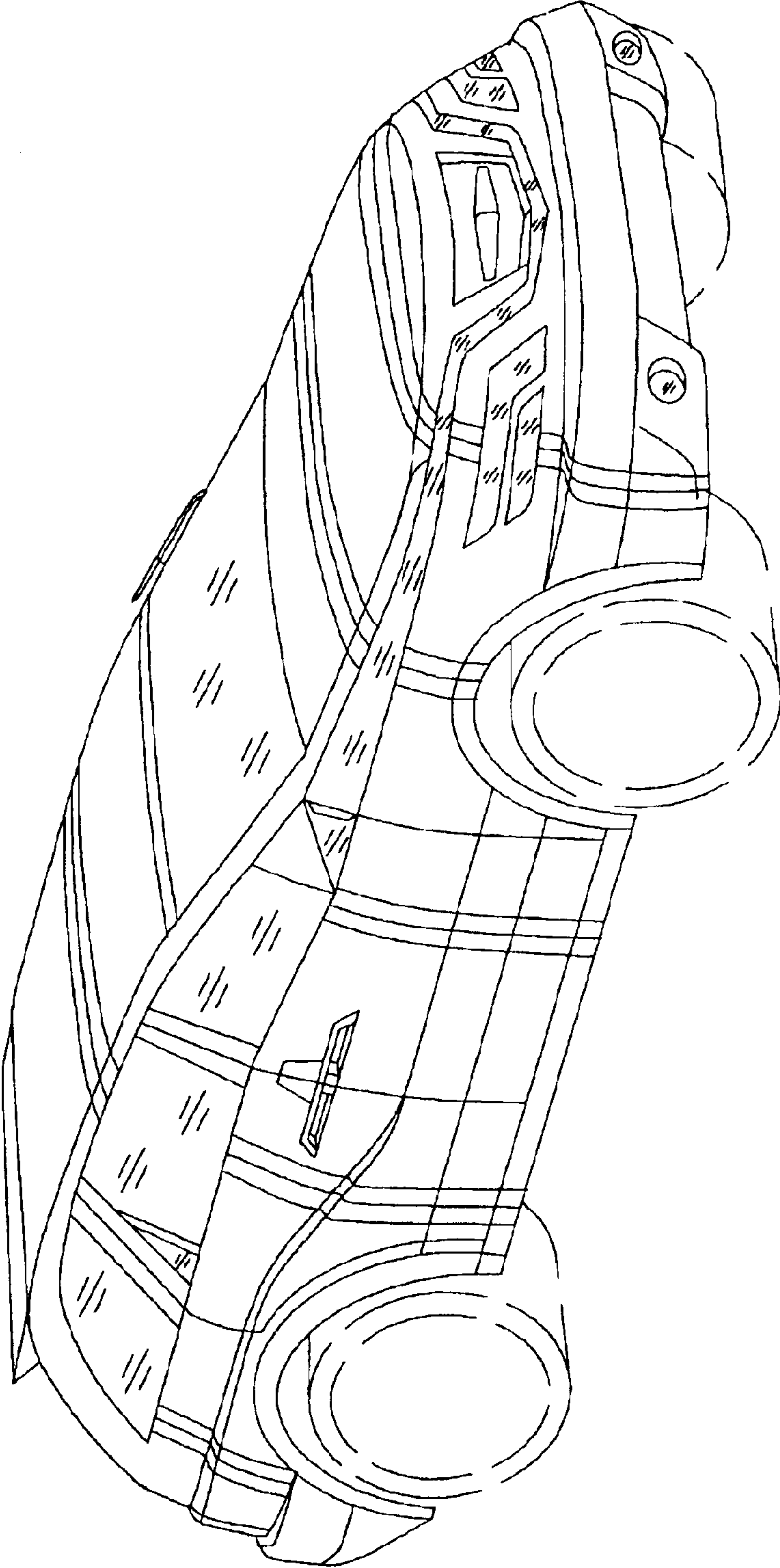


FIG. 1

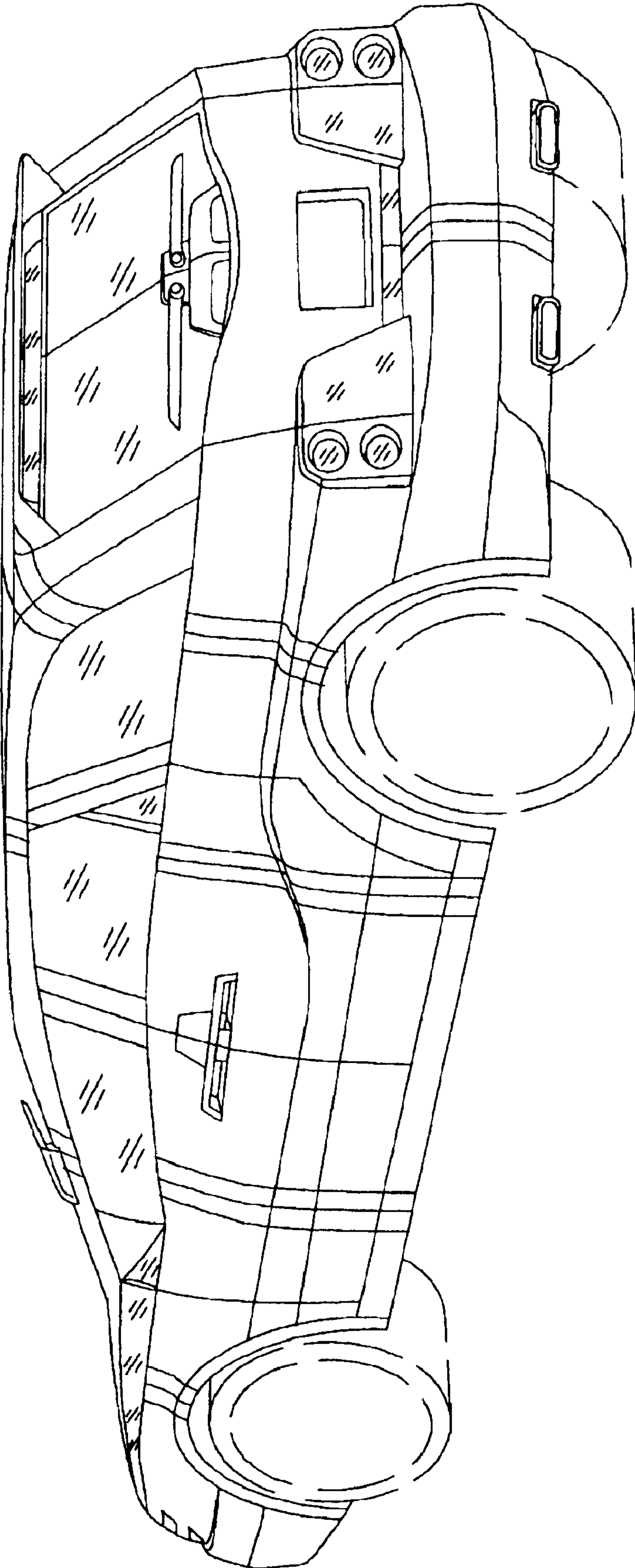


FIG. 2

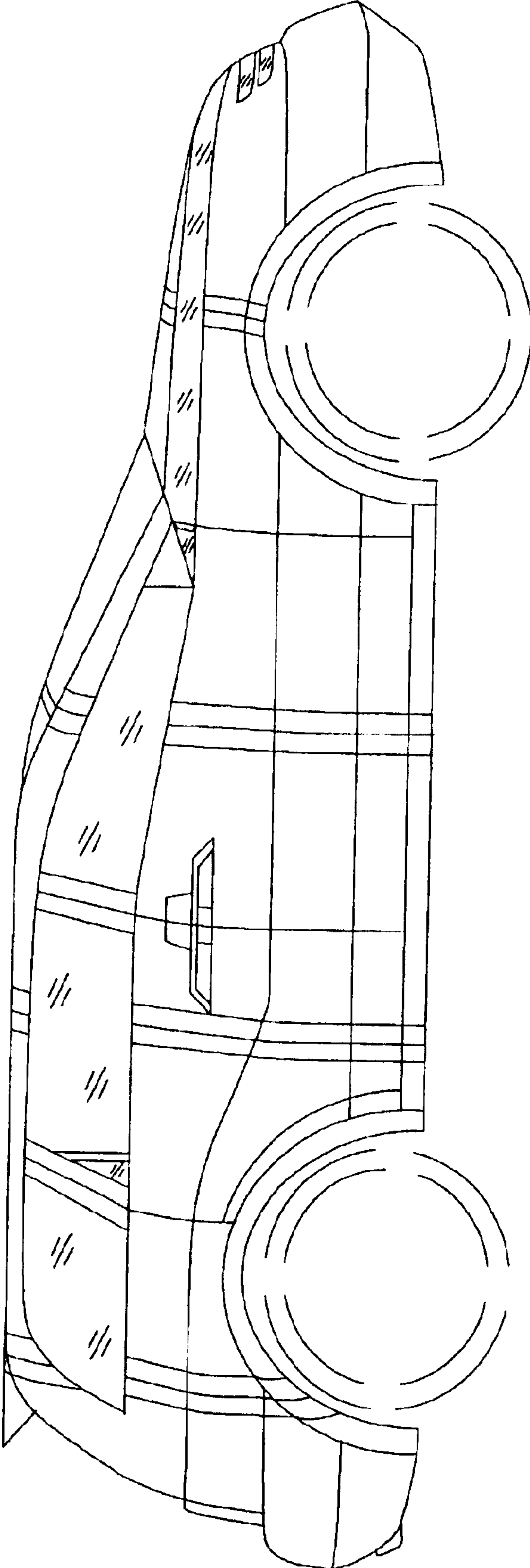


FIG. 3

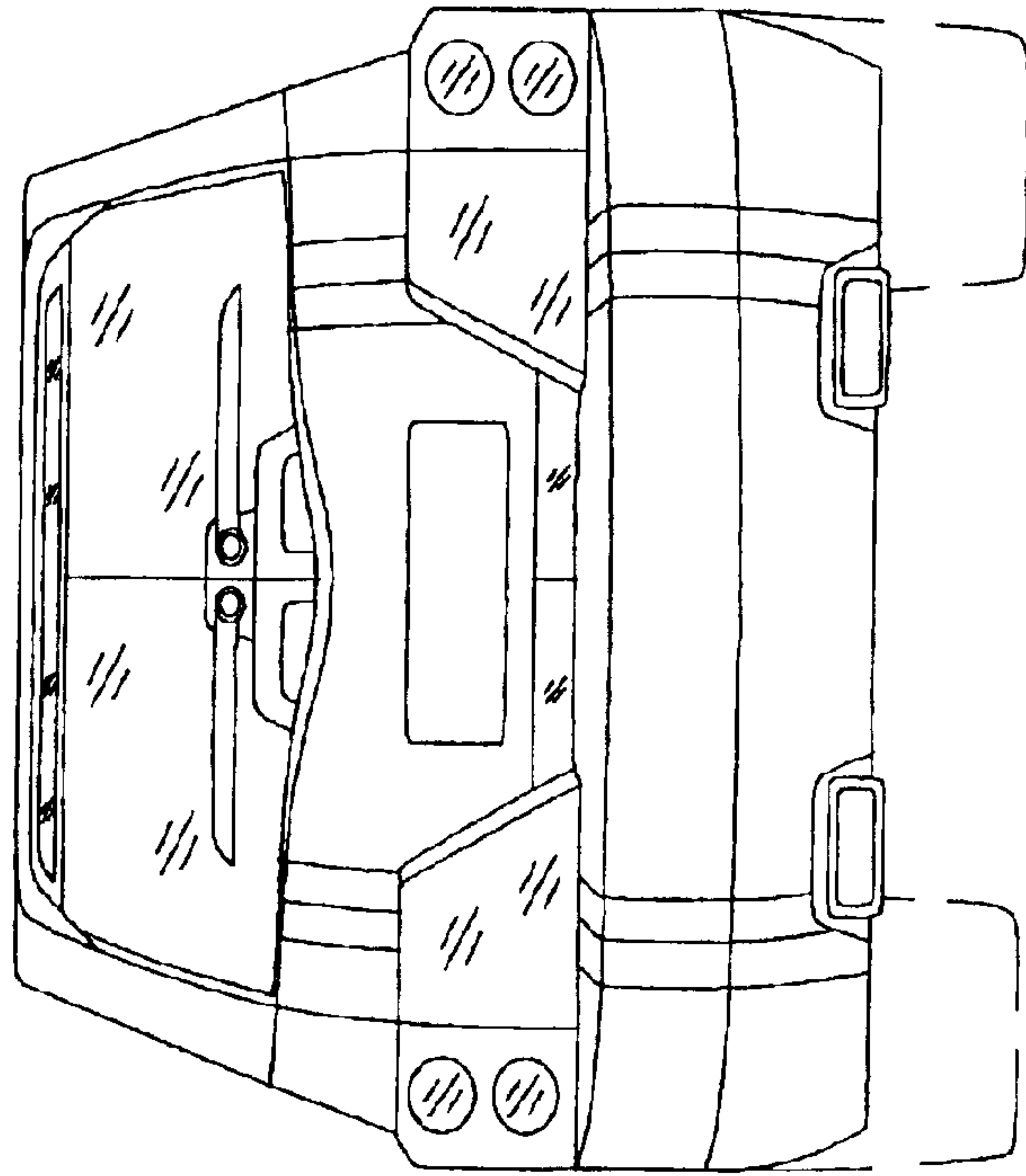


FIG. 5

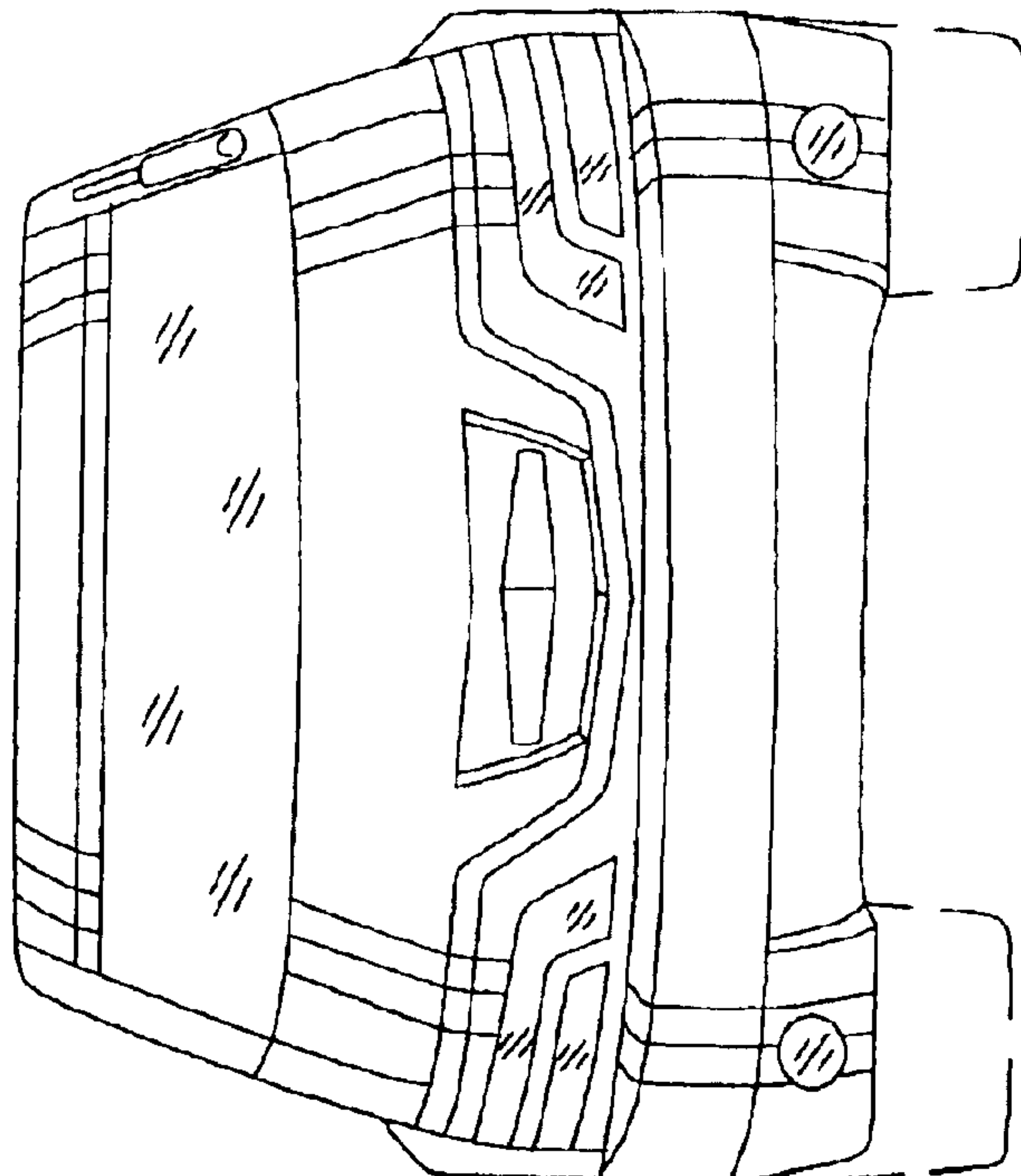


FIG. 4

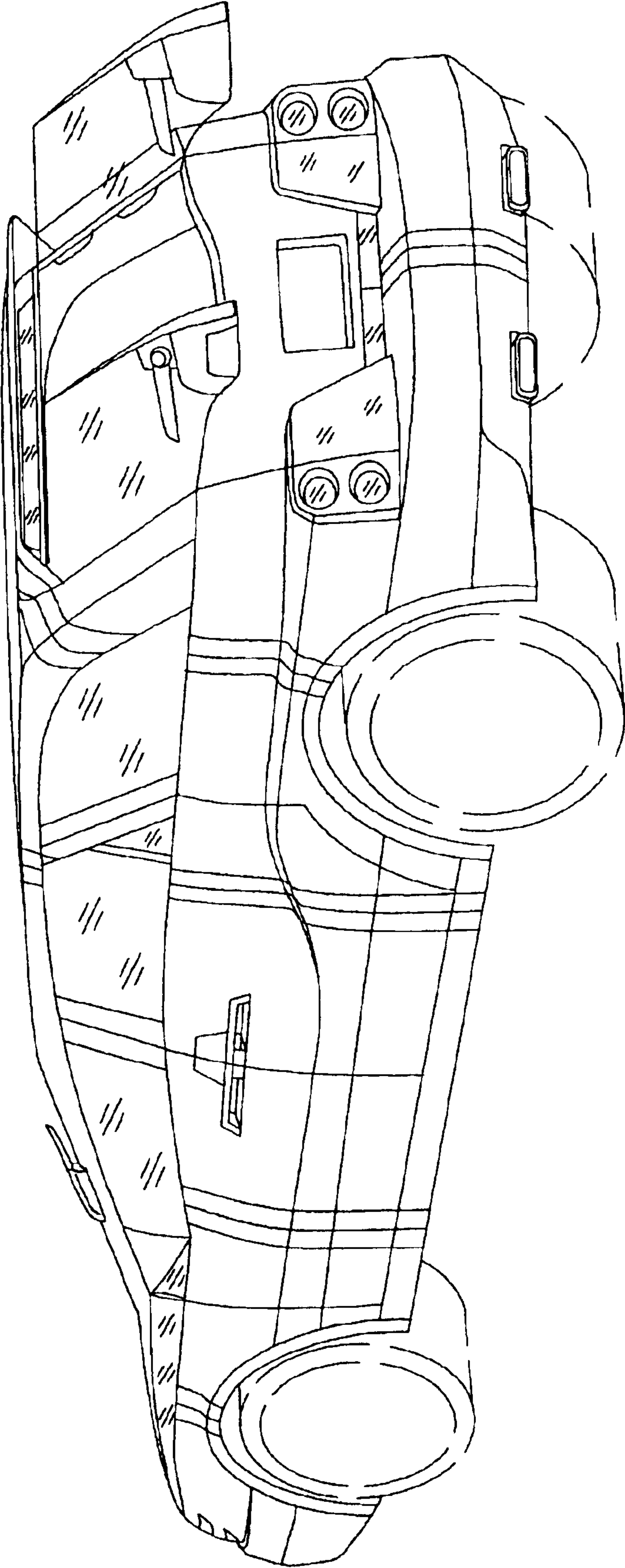


FIG. 6