

US00D494098S1

(12) **United States Design Patent**  
**Cohen**

(10) **Patent No.:** **US D494,098 S**

(45) **Date of Patent:** **\*\* Aug. 10, 2004**

(54) **BUCKLE FOR WRISTWATCH**

(75) **Inventor:** **Raphäel M. Cohen, Coligny (CH)**

(73) **Assignee:** **Time Max S.A., Geneva (CH)**

(\*\*) **Term:** **14 Years**

(21) **Appl. No.:** **29/174,811**

(22) **Filed:** **Jan. 27, 2003**

(30) **Foreign Application Priority Data**

Jul. 26, 2002 (WO) ..... DMA/005 869

(51) **LOC (7) Cl.** ..... **02-07**

(52) **U.S. Cl.** ..... **D11/235**

(58) **Field of Search** ..... D11/200, 230-235,  
D11/93, 94; D2/627; D10/32, 30; 24/196,  
316, 326, 616, 644, 188

(56) **References Cited**

**U.S. PATENT DOCUMENTS**

D25,794 S \* 7/1896 Wheatfield ..... D11/235

1,512,087 A \* 10/1924 Fish ..... 24/188  
D223,080 S \* 3/1972 Roy ..... D11/232  
D473,818 S \* 4/2003 Salvisberg ..... D11/93  
D480,989 S \* 10/2003 Modolo ..... D11/234

\* cited by examiner

*Primary Examiner*—Catherine R. Oliver

(74) *Attorney, Agent, or Firm*—Sughrue Mion, PLLC

(57) **CLAIM**

The ornamental design for a buckle for wristwatch, as shown.

**DESCRIPTION**

FIG. 1 is a perspective view of the top, front and right side of a buckle for wristwatch showing my new design; FIG. 2 is a front elevational view thereof; FIG. 3 is a right side elevational view thereof; FIG. 4 is a left side elevational view thereof; FIG. 5 is a rear elevational view thereof; FIG. 6 is a top plan view thereof; and, FIG. 7 is a bottom plan view thereof.

**1 Claim, 2 Drawing Sheets**

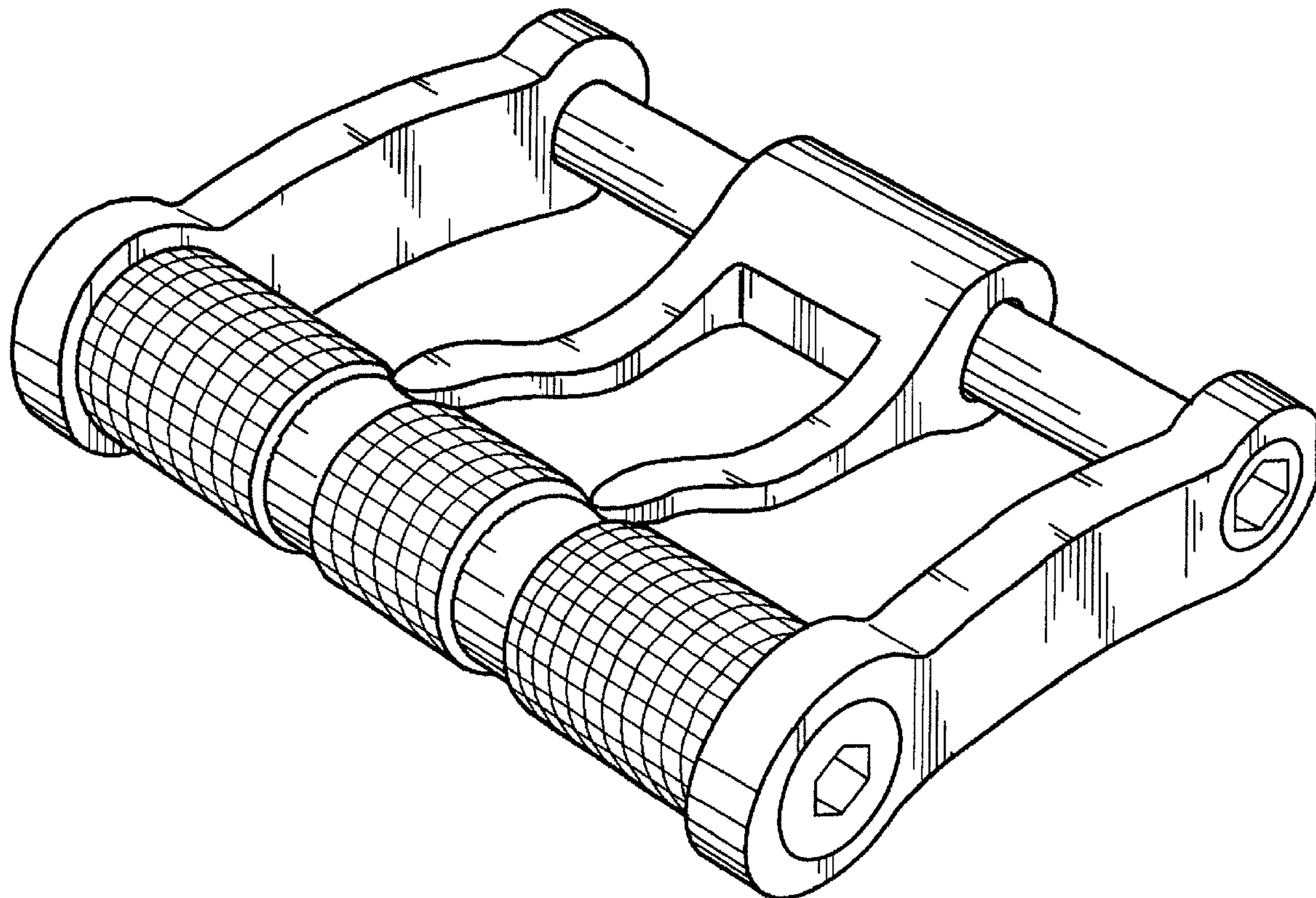


Fig. 1

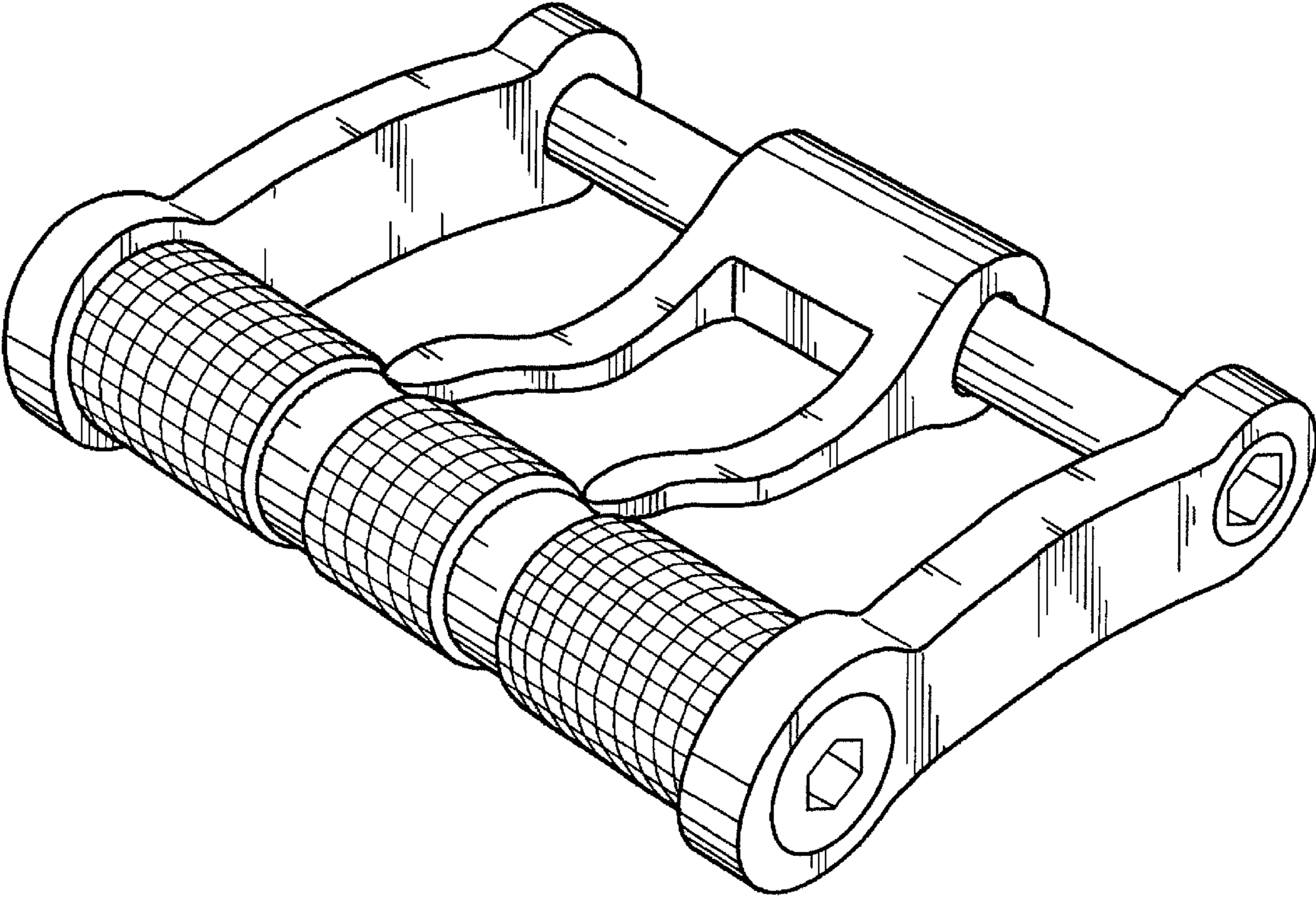


Fig. 7

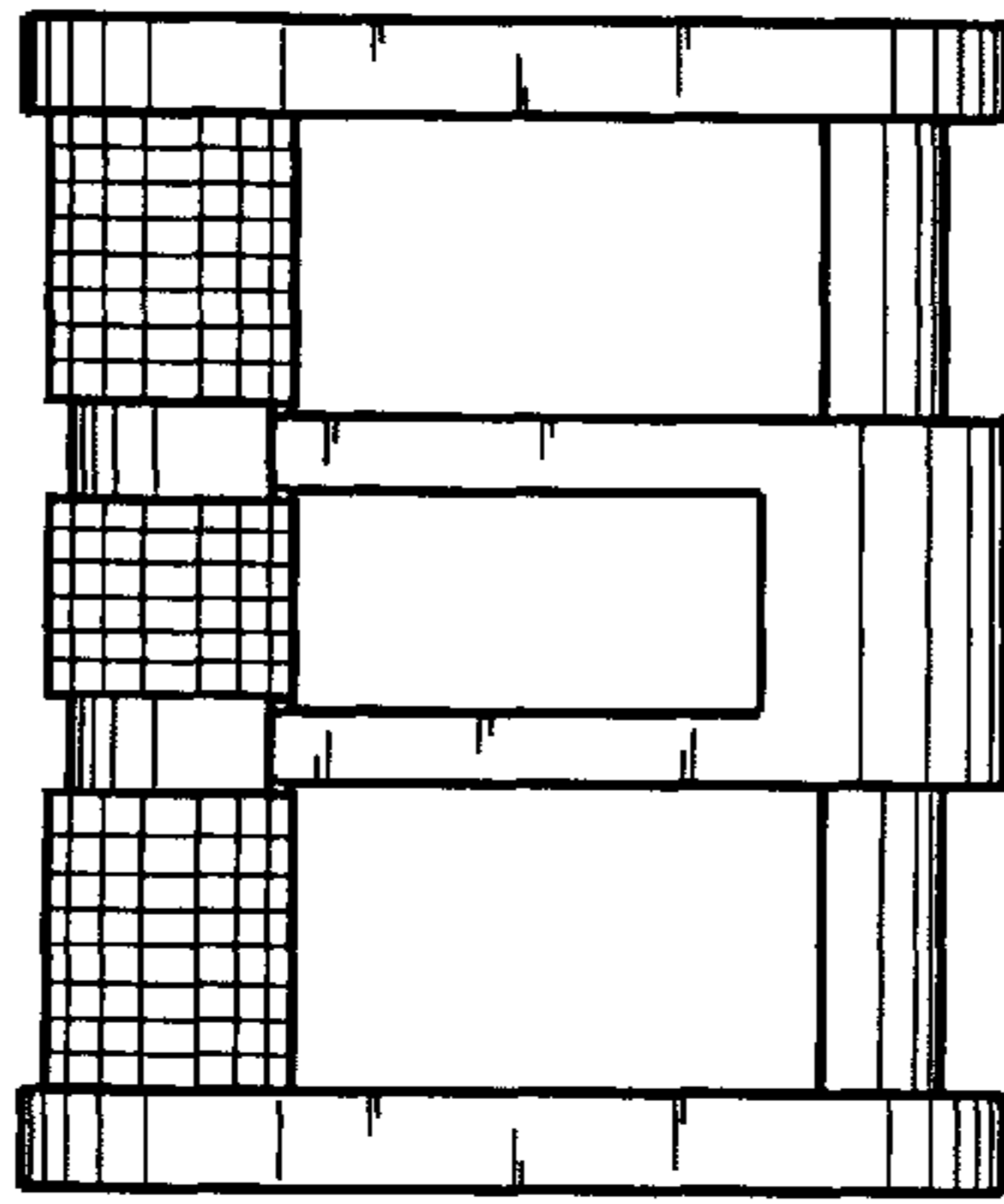


Fig. 3

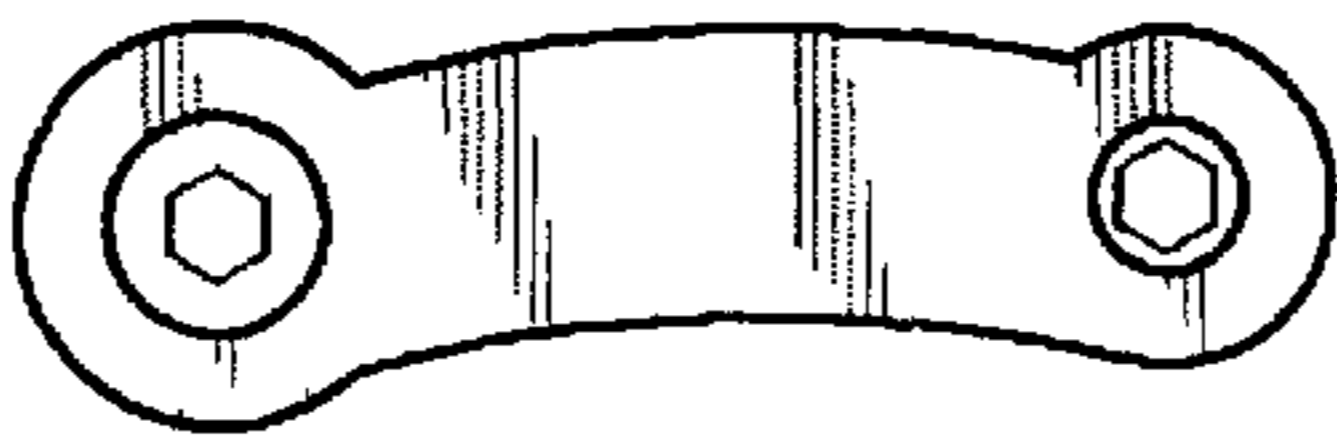


Fig. 5

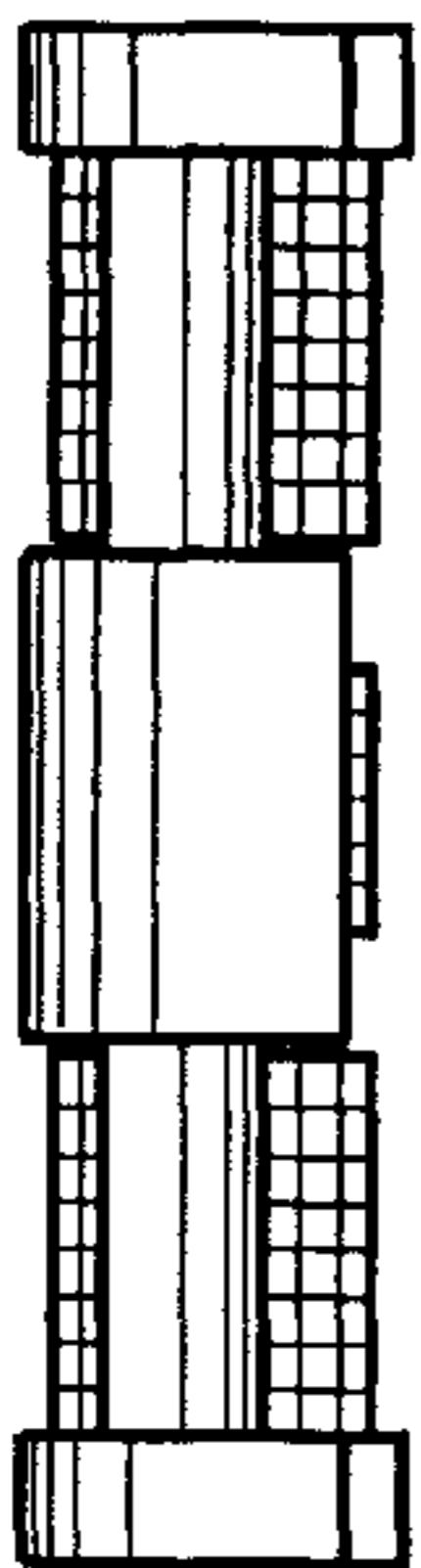


Fig. 6

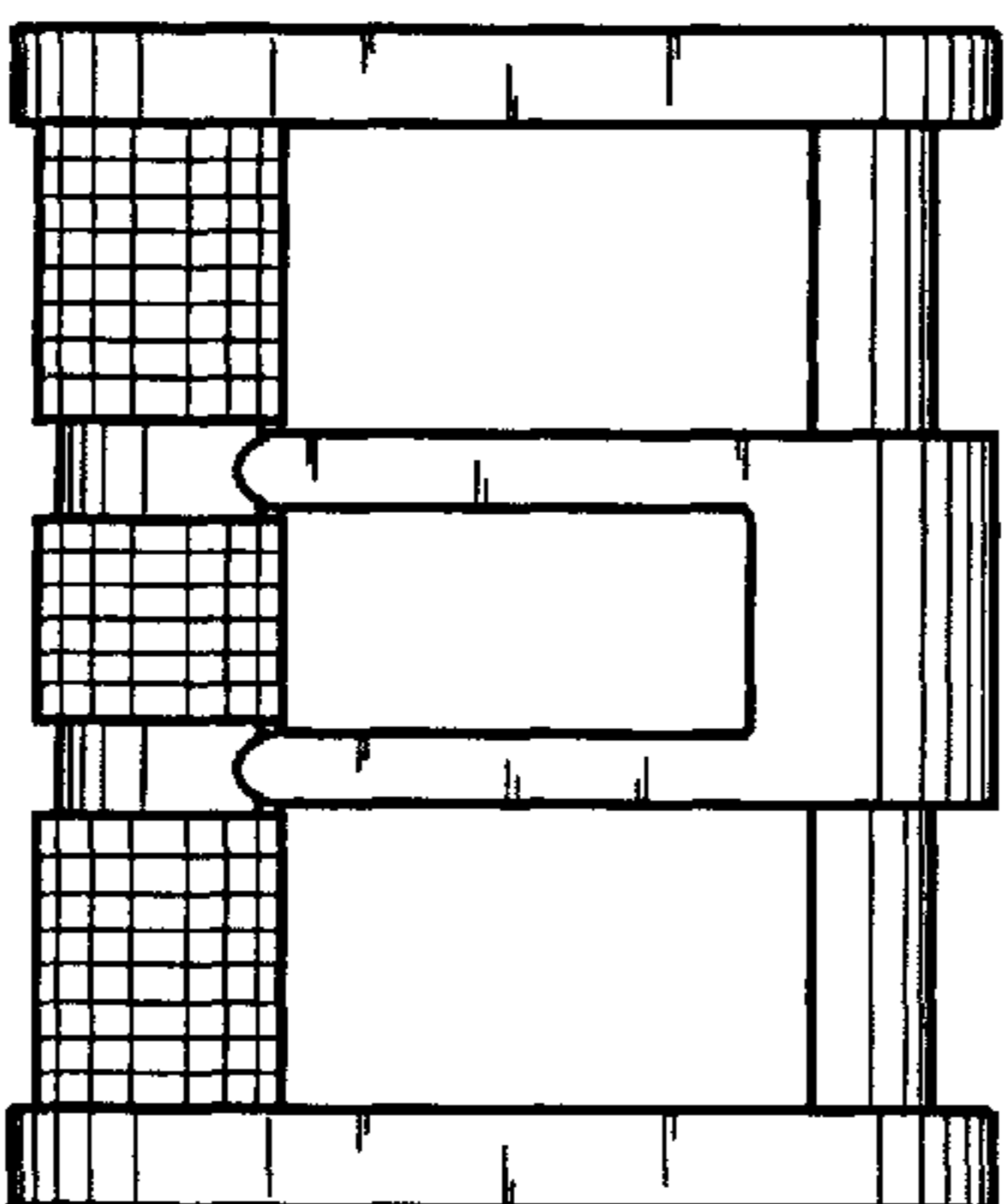


Fig. 2

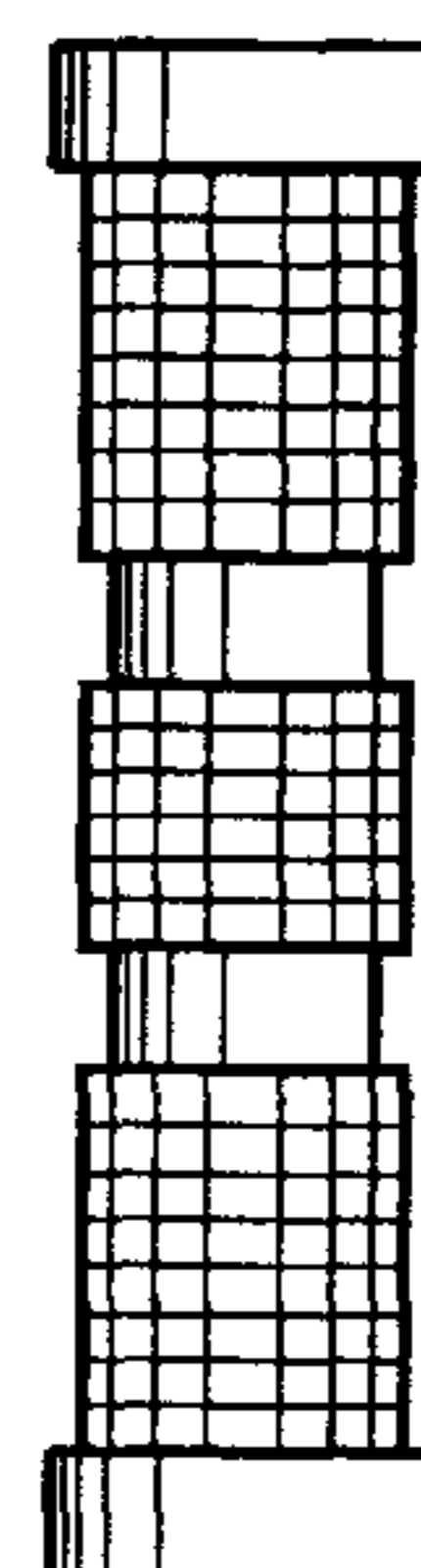


Fig. 4

