

US00D494082S1

(12) **United States Design Patent**
Hardy

(10) **Patent No.:** **US D494,082 S**
(45) **Date of Patent:** **** Aug. 10, 2004**

(54) **RING**

(75) Inventor: **Pierre Hardy**, Paris (FR)

(73) Assignee: **Hermes Sellier**, Paris (FR)

(**) Term: **14 Years**

(21) Appl. No.: **29/169,973**

(22) Filed: **Oct. 29, 2002**

(30) **Foreign Application Priority Data**

Jul. 8, 2002 (WO) DM/061 205

(51) **LOC (7) Cl.** **11-01**

(52) **U.S. Cl.** **D11/26**

(58) **Field of Search** D11/26-40; 63/15,
63/15.1, 15.2, 15.3, 15.4, 15.45, 15.5, 15.6,
15.65, 15.7, 15.8, 15.9

(56) **References Cited**

U.S. PATENT DOCUMENTS

D215,613 S * 10/1969 Lawson D11/34
D309,277 S * 7/1990 Mejias D11/27
D462,028 S * 8/2002 Roure D11/26

* cited by examiner

Primary Examiner—Catherine R. Oliver

(74) *Attorney, Agent, or Firm*—Darby & Darby

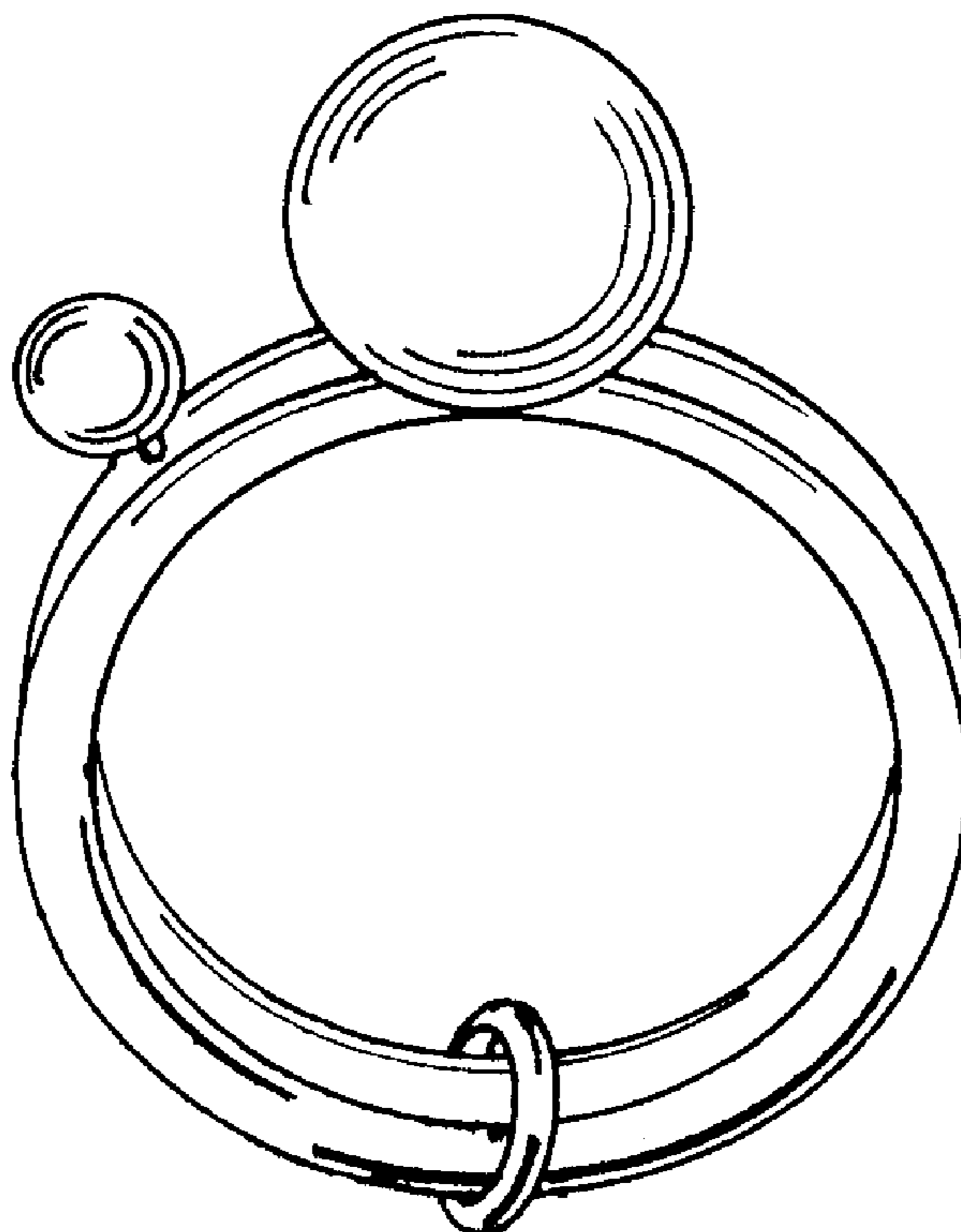
(57) **CLAIM**

The ornamental design for a ring, as shown and described.

DESCRIPTION

FIG. 1 is a front and side perspective view of a ring according to a first embodiment showing my new design; FIG. 2 is a front perspective view thereof; FIG. 3 is a front elevational view thereof with the ring being in a closed position; FIG. 4 is a first side elevational view thereof; FIG. 5 is a second side elevational view with the second side being opposite the first side of FIG. 4; FIG. 6 is a front elevational view thereof with the ring being in an open position; FIG. 7 is a front and side perspective view of a ring according to a second embodiment showing my new design thereof; FIG. 8 is a front perspective view thereof; FIG. 9 is a front elevational view thereof with the ring being in a closed position; FIG. 10 is a first side elevational view thereof; FIG. 11 is a second side elevational view with the second side being opposite the first side of FIG. 10; and, FIG. 12 is a front elevational view thereof with the ring being in an open position. The broken line showing of the setting and stone in FIGS. 9-12 and the hand in FIGS. 1 and 7 is for illustrative purposes only and forms no part of the claimed design.

1 Claim, 2 Drawing Sheets



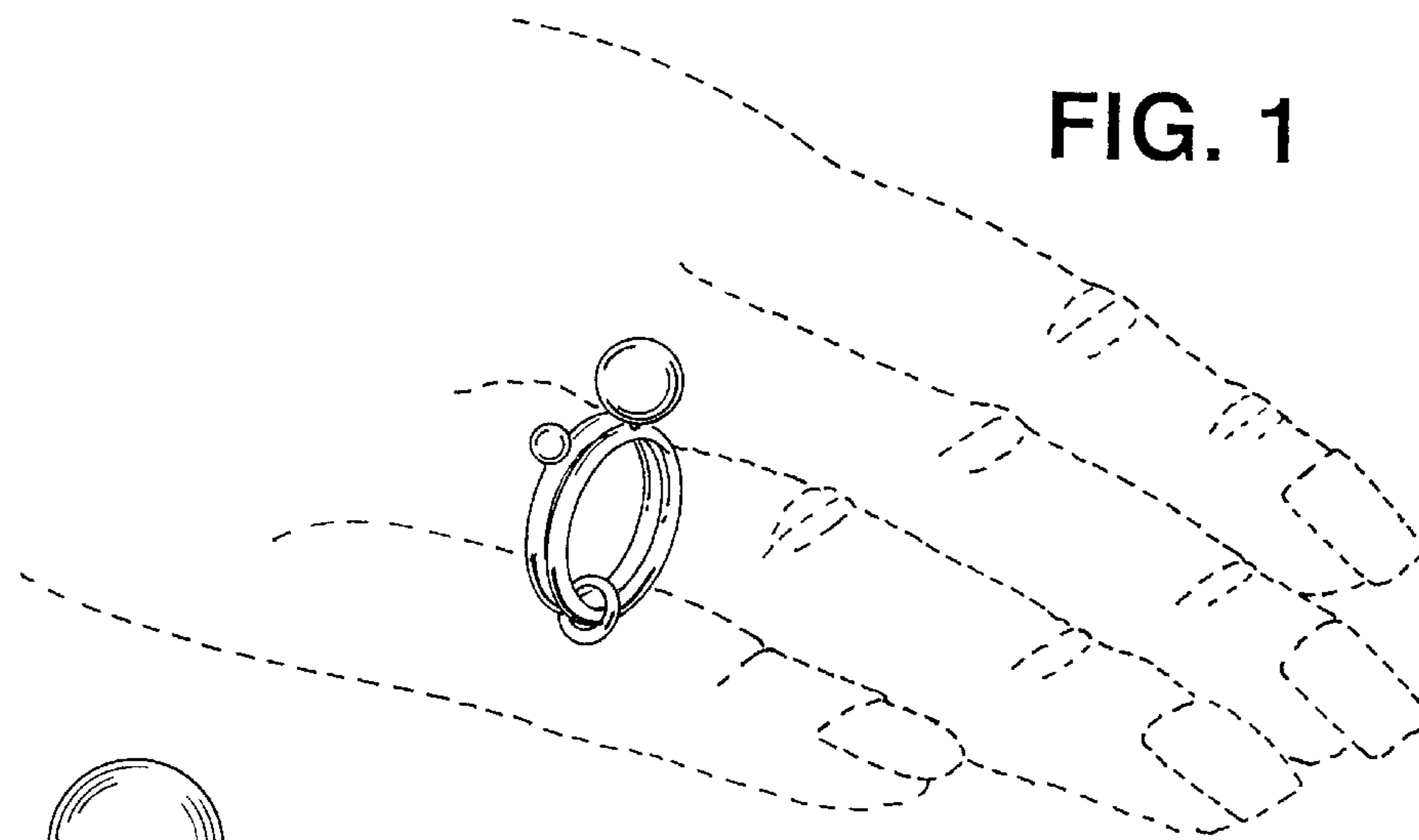


FIG. 1

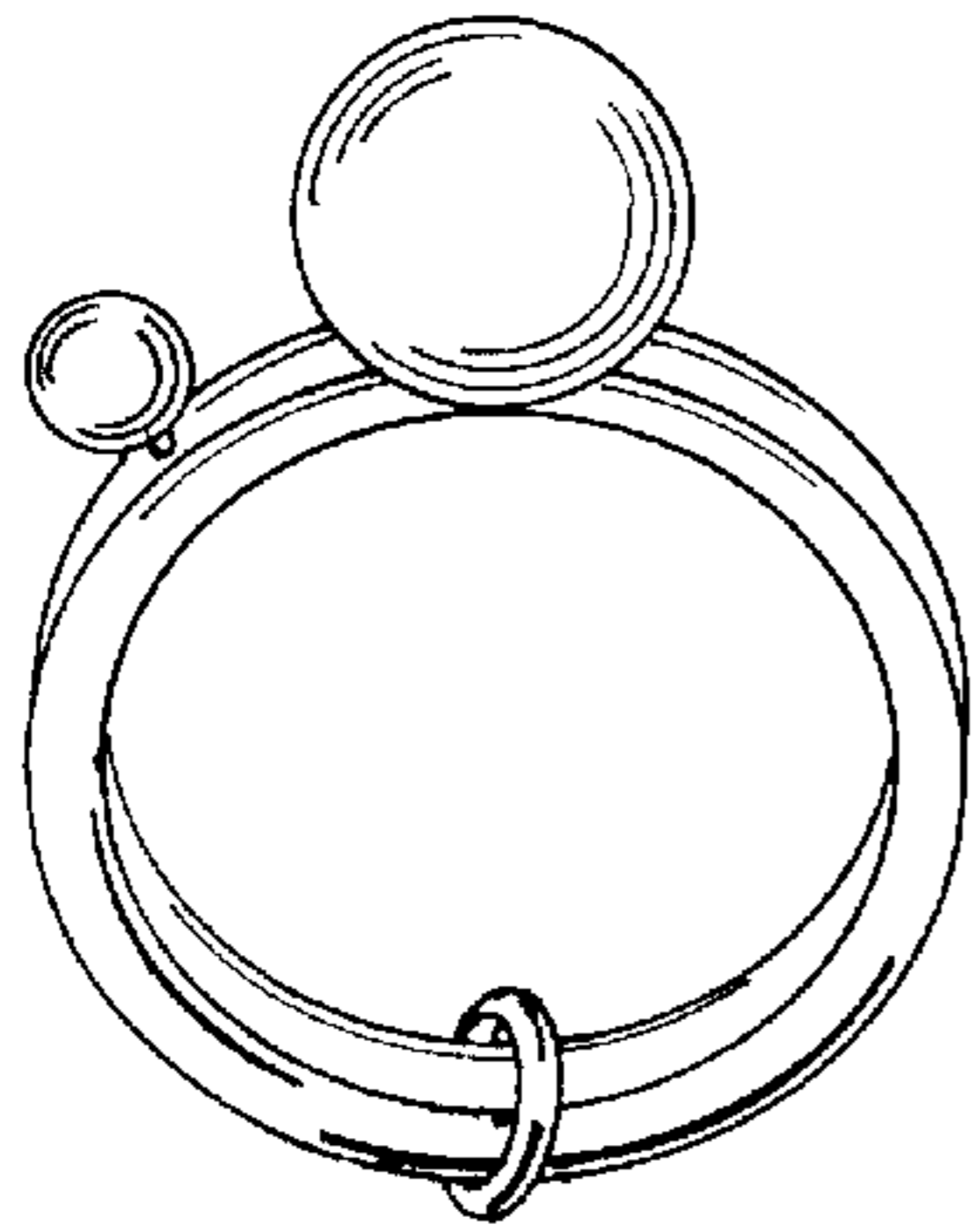


FIG. 2

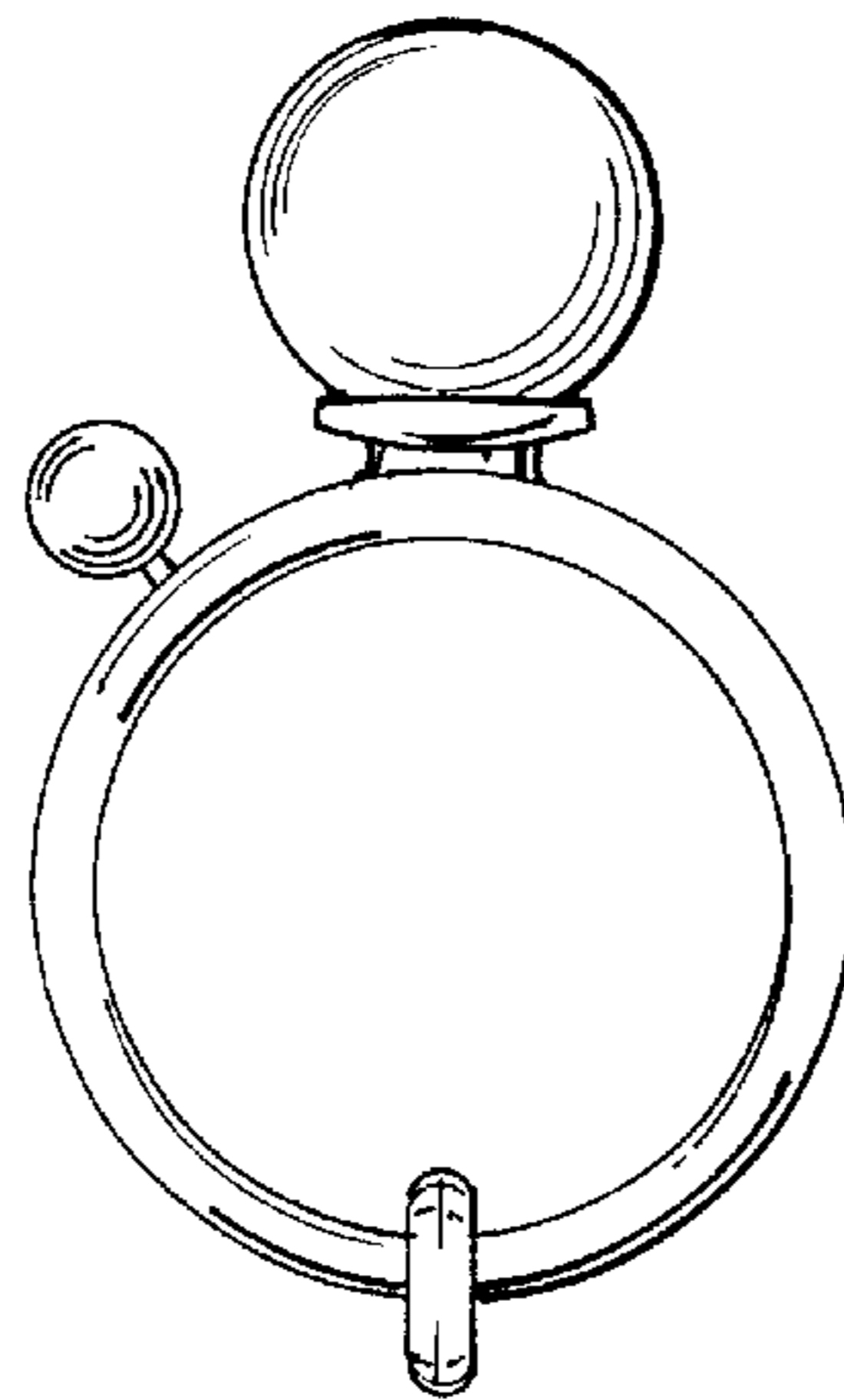


FIG. 3

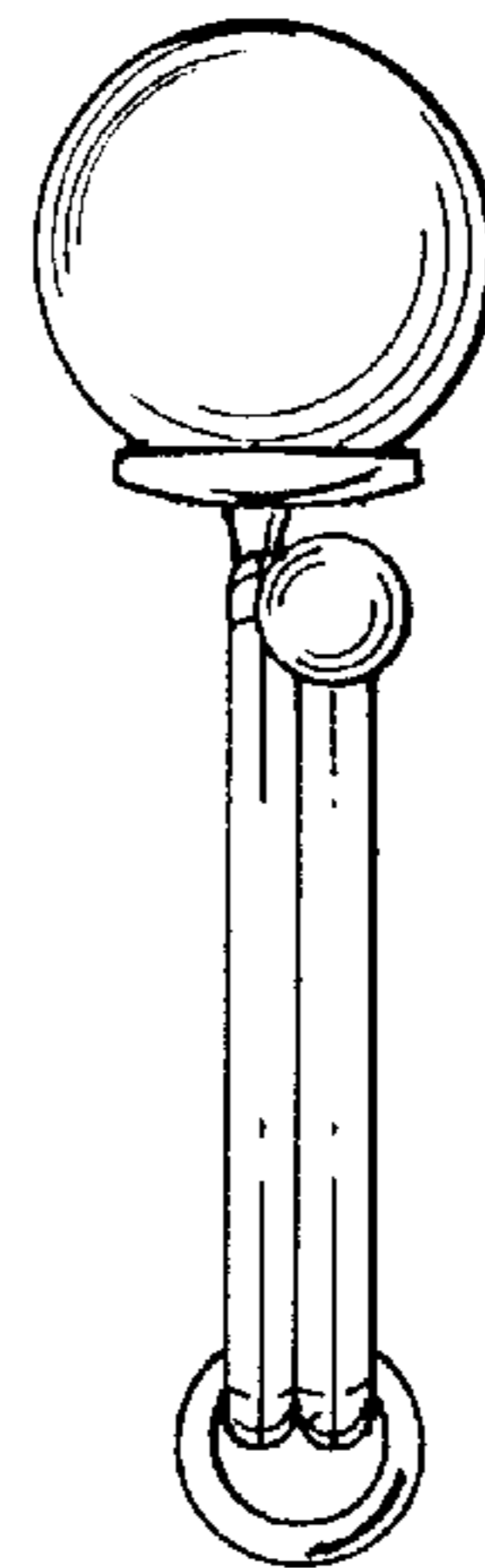


FIG. 4

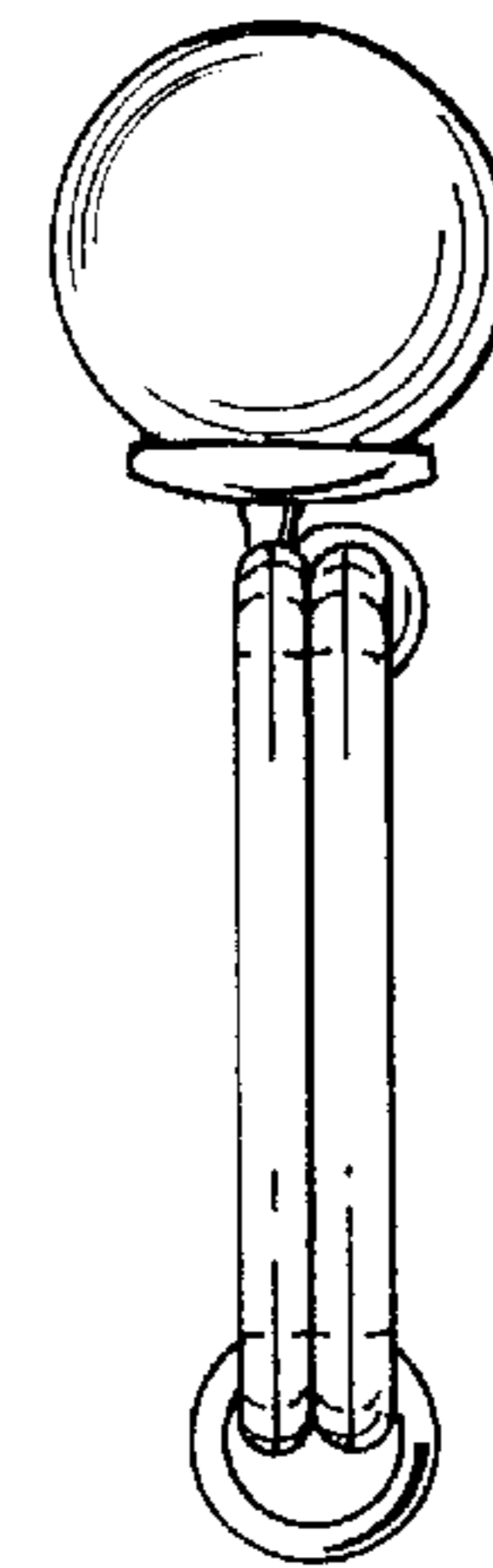


FIG. 5

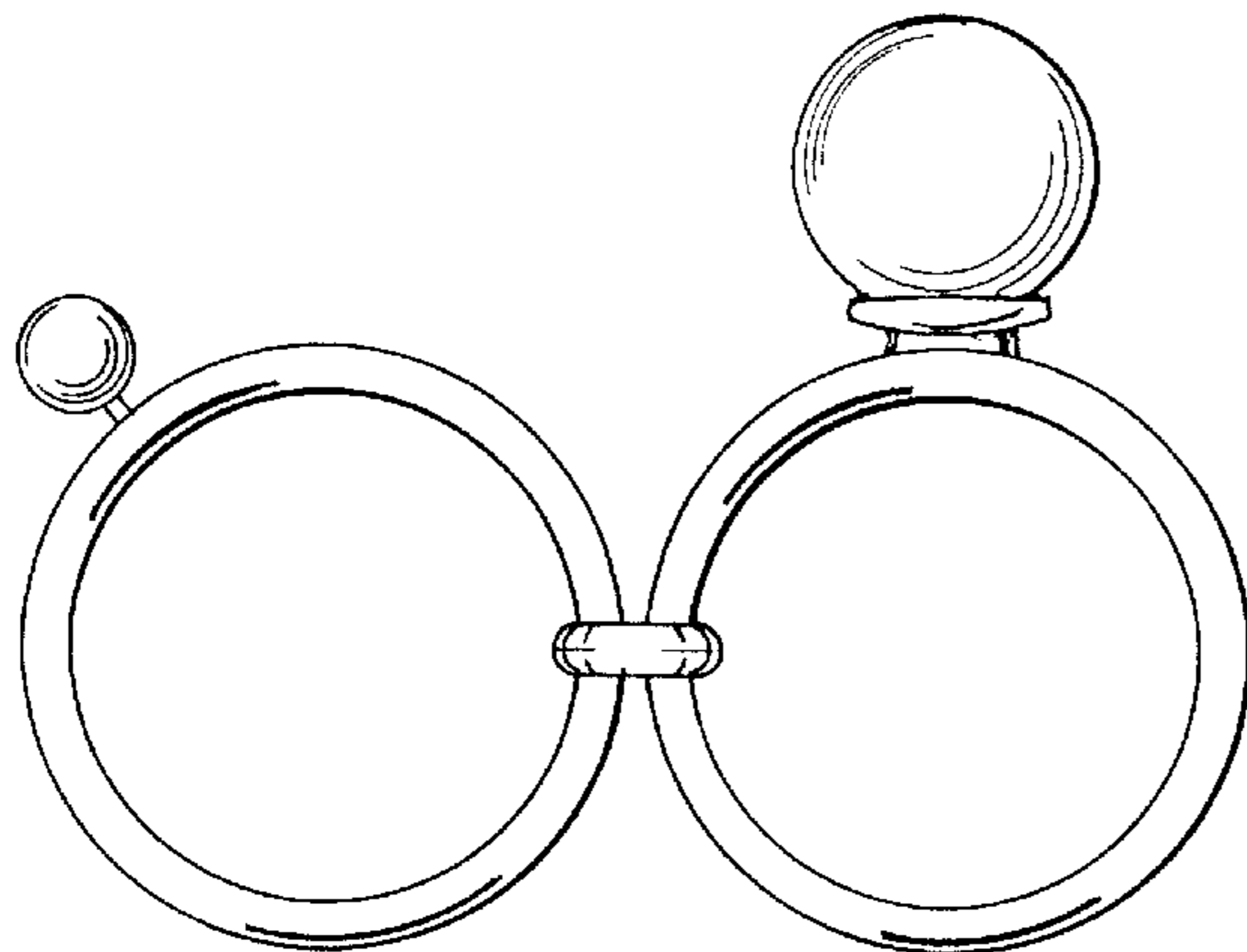


FIG. 6

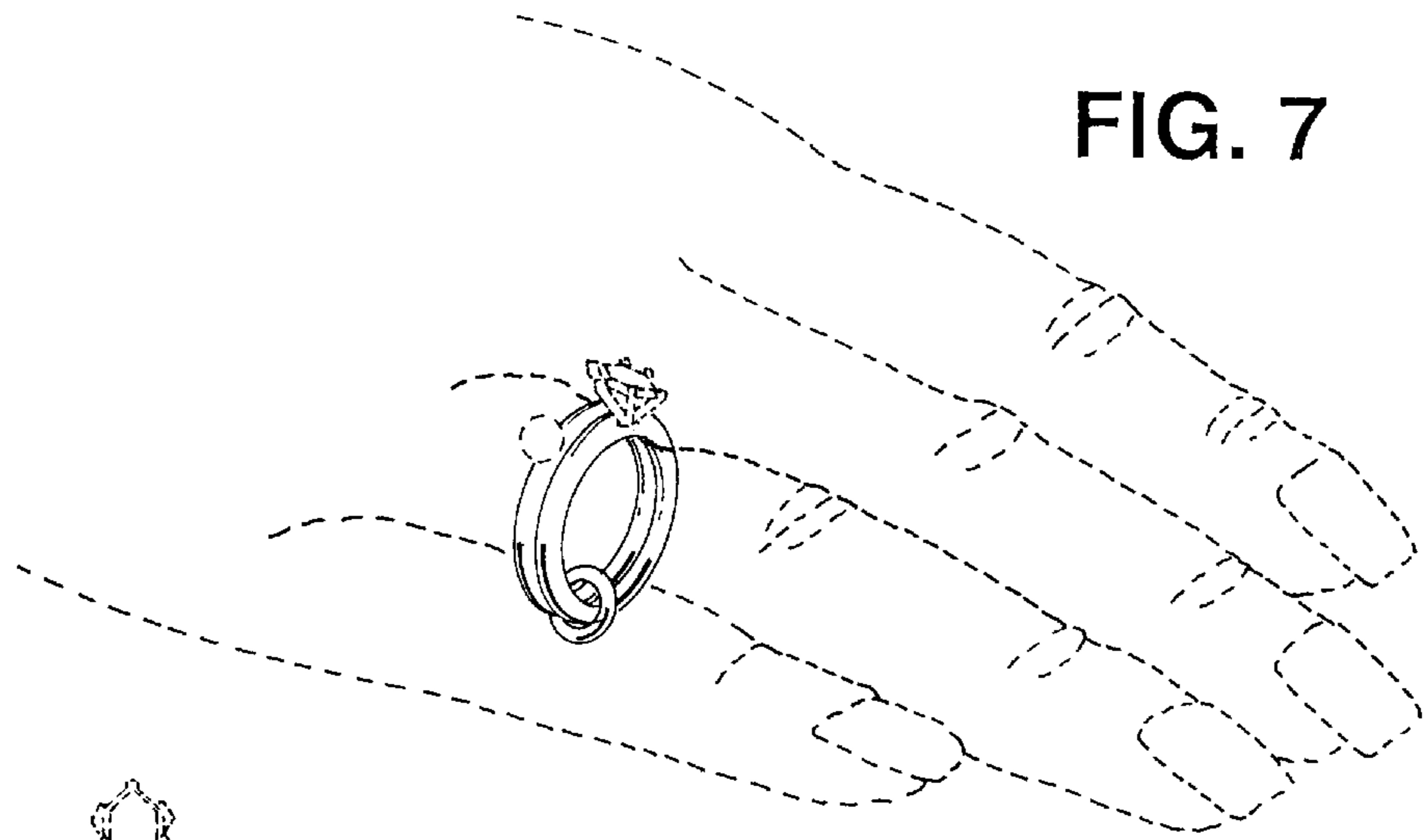


FIG. 7

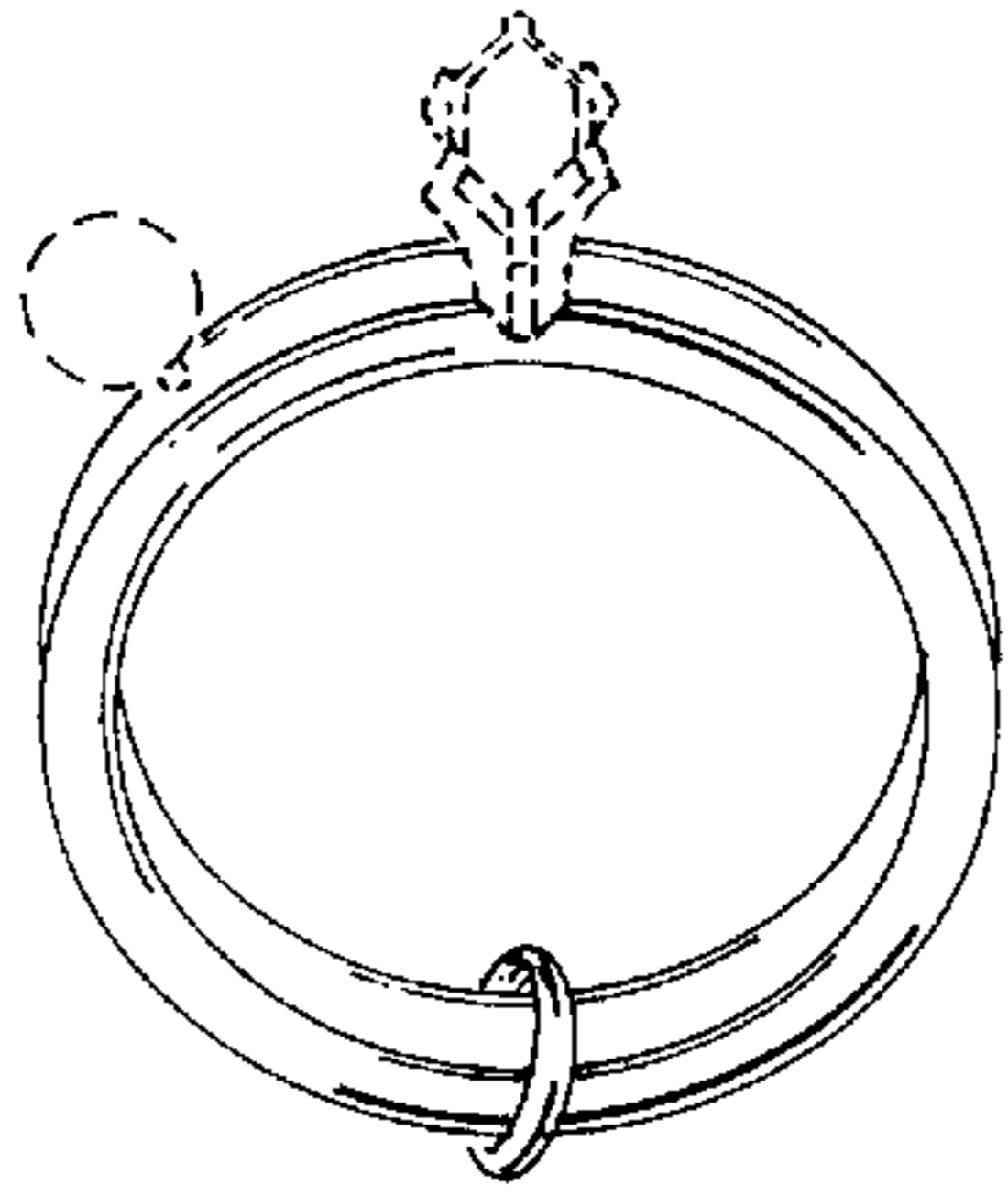


FIG. 8

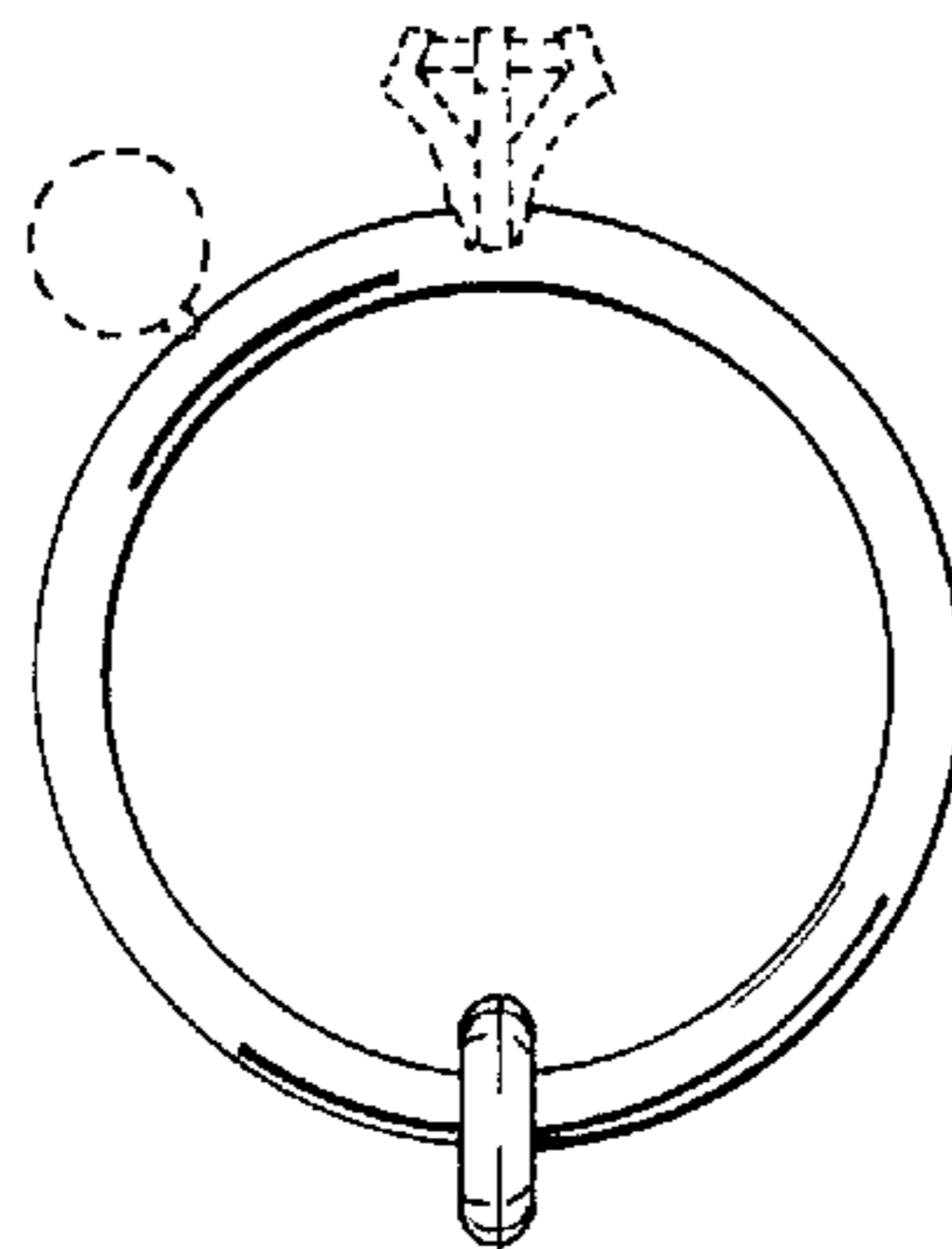


FIG. 9

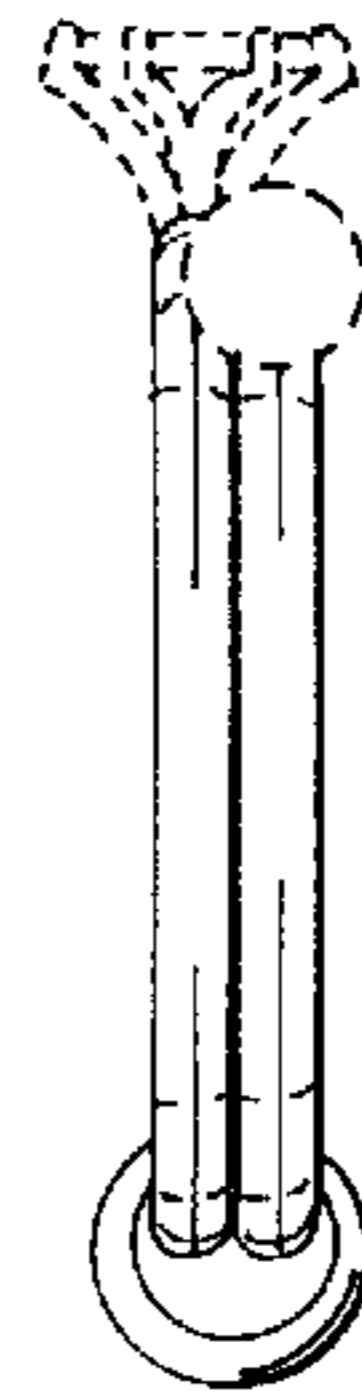


FIG. 10



FIG. 11

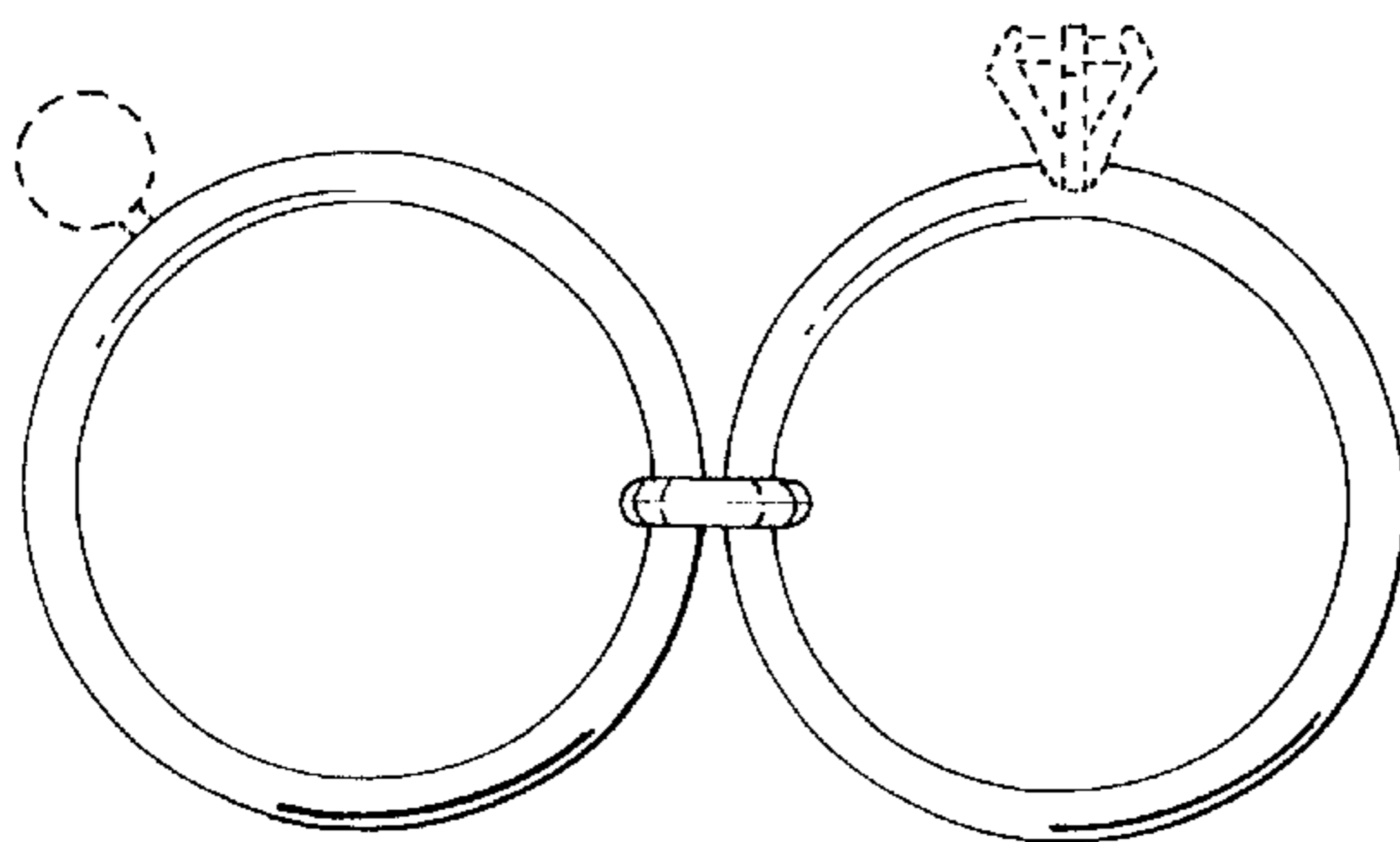


FIG. 12