

US00D494076S1

(12) **United States Design Patent**
Concari

(10) **Patent No.:** **US D494,076 S**

(45) **Date of Patent:** **** Aug. 10, 2004**

(54) **OPTICAL INSTRUMENT**

6,614,537 B1 * 9/2003 Yahashi 356/602

(75) Inventor: **Gabriel E. Concari**, Eldersburg, MD
(US)

* cited by examiner

(73) Assignee: **Black & Decker Inc.**, Newark, DE
(US)

Primary Examiner—Antoine D. Davis

(74) *Attorney, Agent, or Firm*—Adan Ayala

(**) Term: **14 Years**

(57) **CLAIM**

The ornamental design for an optical instrument, as shown and described.

(21) Appl. No.: **29/182,810**

(22) Filed: **Jun. 2, 2003**

DESCRIPTION

(51) **LOC (7) Cl.** **10-04**

(52) **U.S. Cl.** **D10/70**

(58) **Field of Search** D10/70; 33/261,
33/285, 286; 356/138, 139, 141.3, 345,
375, 142, 5.12, 5.07, 4.05, 5.15, 28.5, 5.09;
385/134–139, 83, 97–99; 264/1.24, 1.25;
702/150, 158

FIG. 1 is a perspective view from the left side of an embodiment of an optical instrument according to the invention.

FIG. 2 is left side elevational view of the embodiment.

FIG. 3 is a right side elevational view of the embodiment.

FIG. 4 is a front elevational view of the embodiment.

FIG. 5 is a rear elevational view of the embodiment.

FIG. 6 is a top plan view of the embodiment; and,

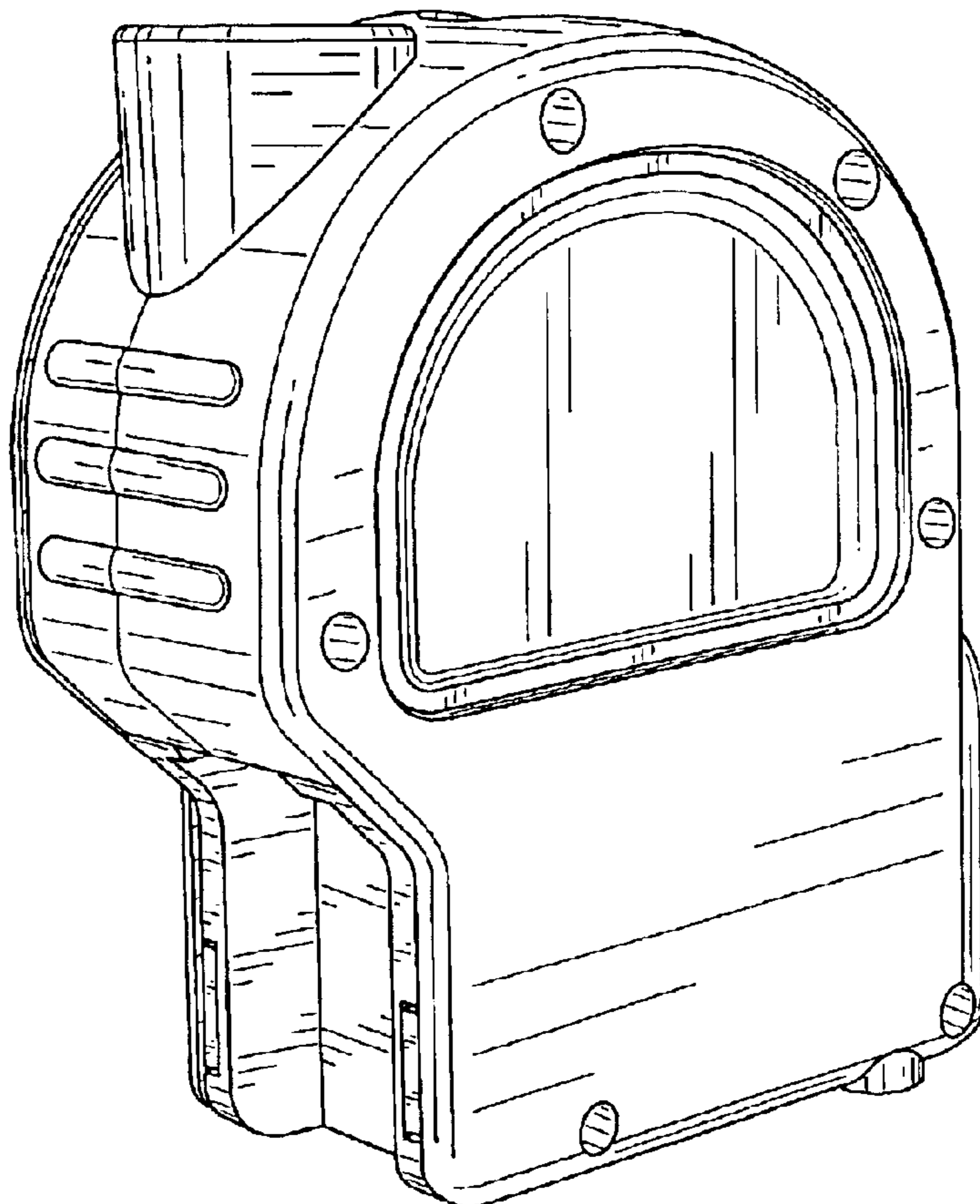
FIG. 7 is a bottom plan view of the embodiment.

(56) **References Cited**

U.S. PATENT DOCUMENTS

D448,315 S * 9/2001 Ito D10/70

1 Claim, 7 Drawing Sheets



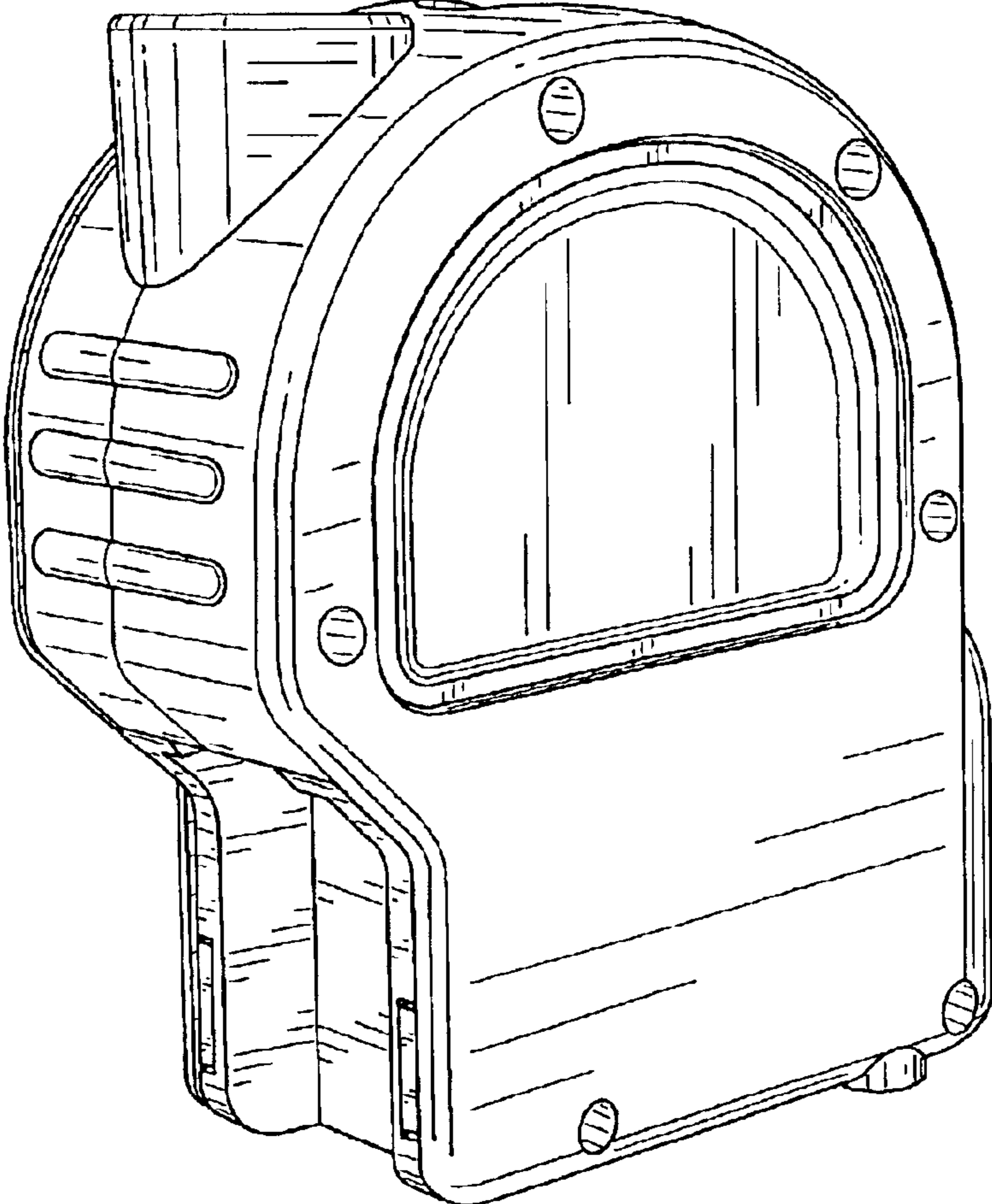


FIG. 1

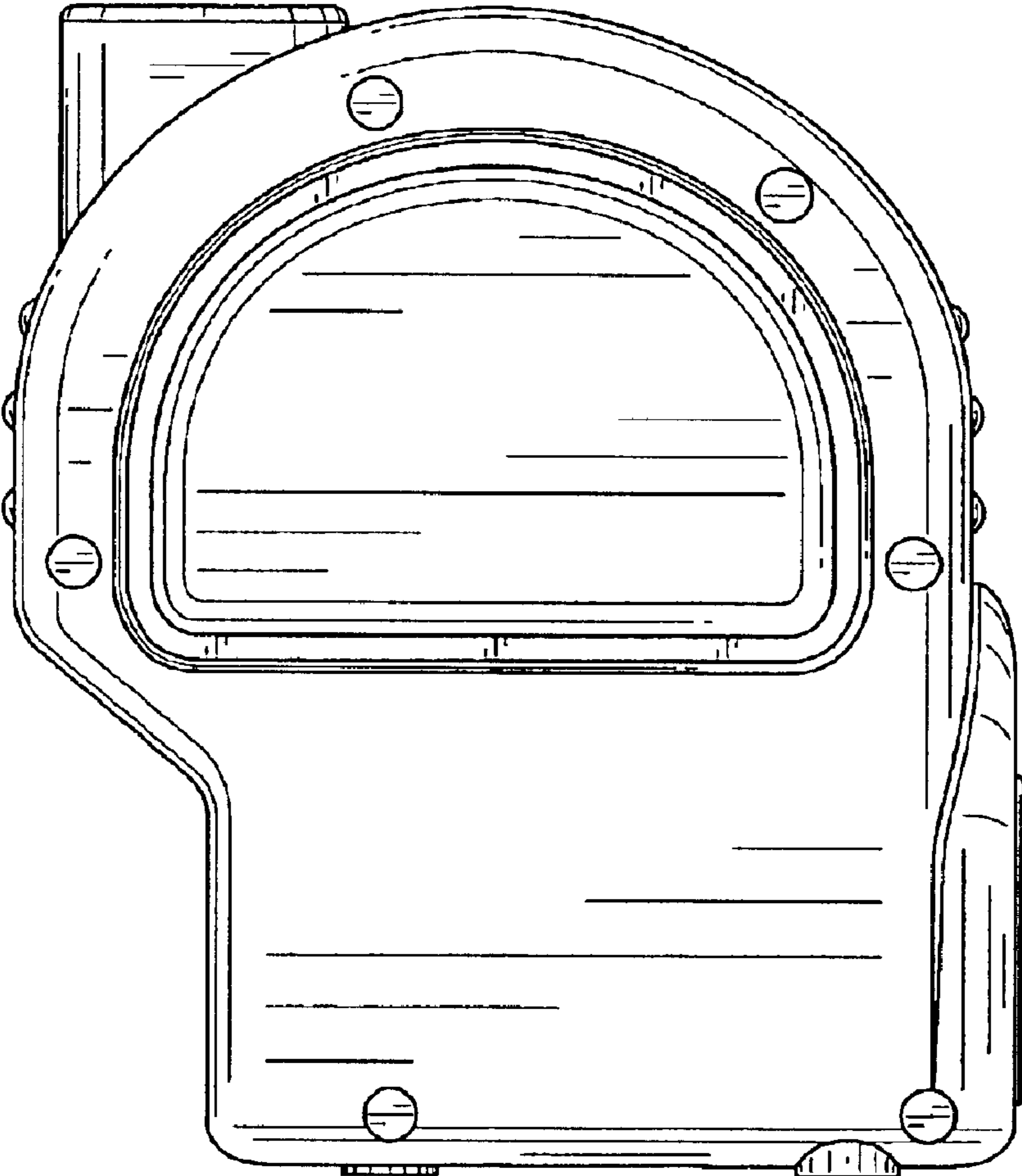


FIG. 2

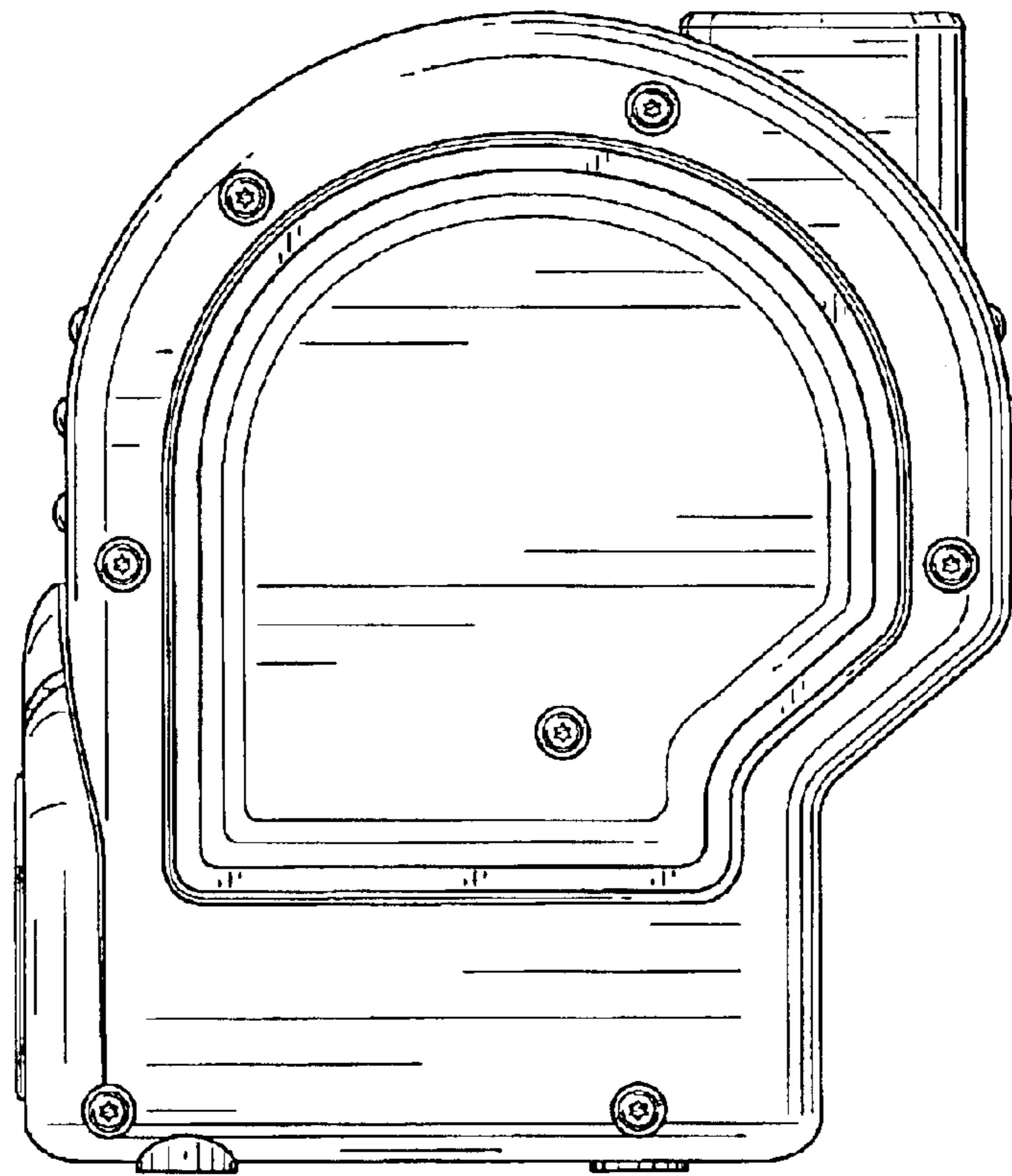


FIG. 3

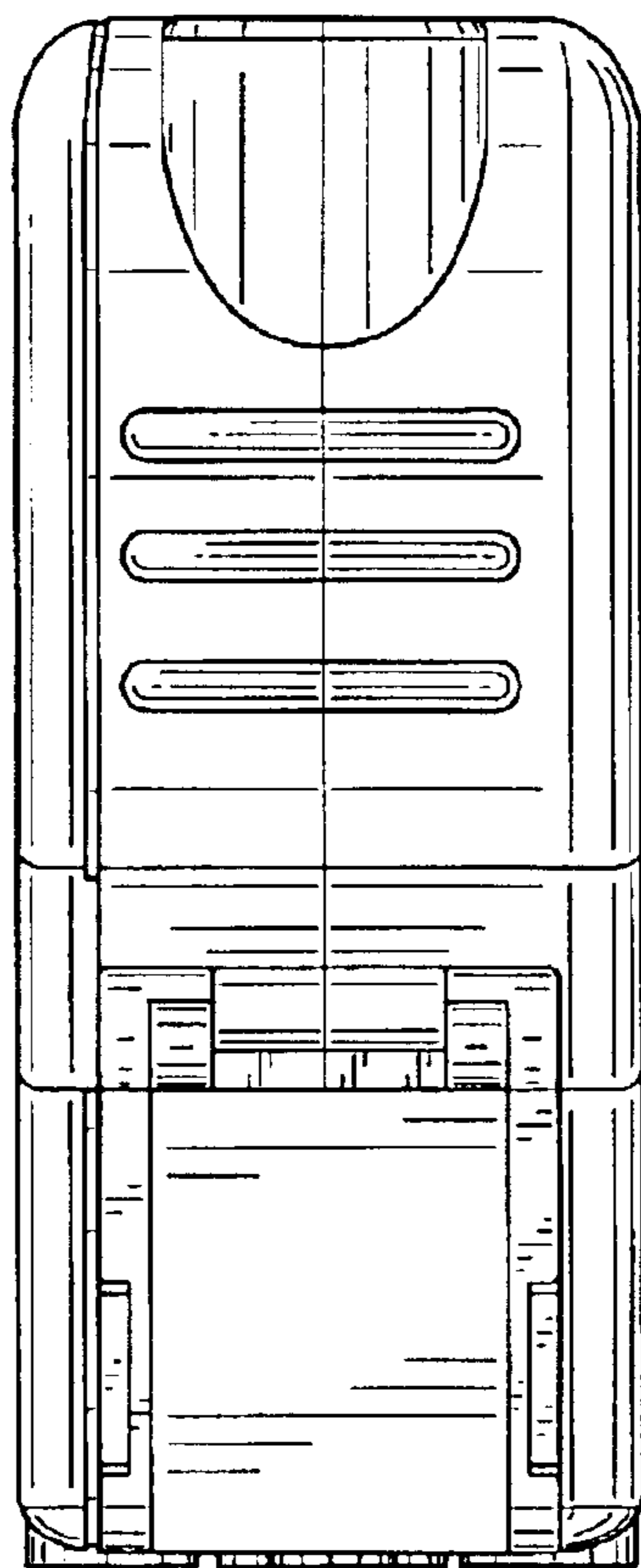


FIG. 4

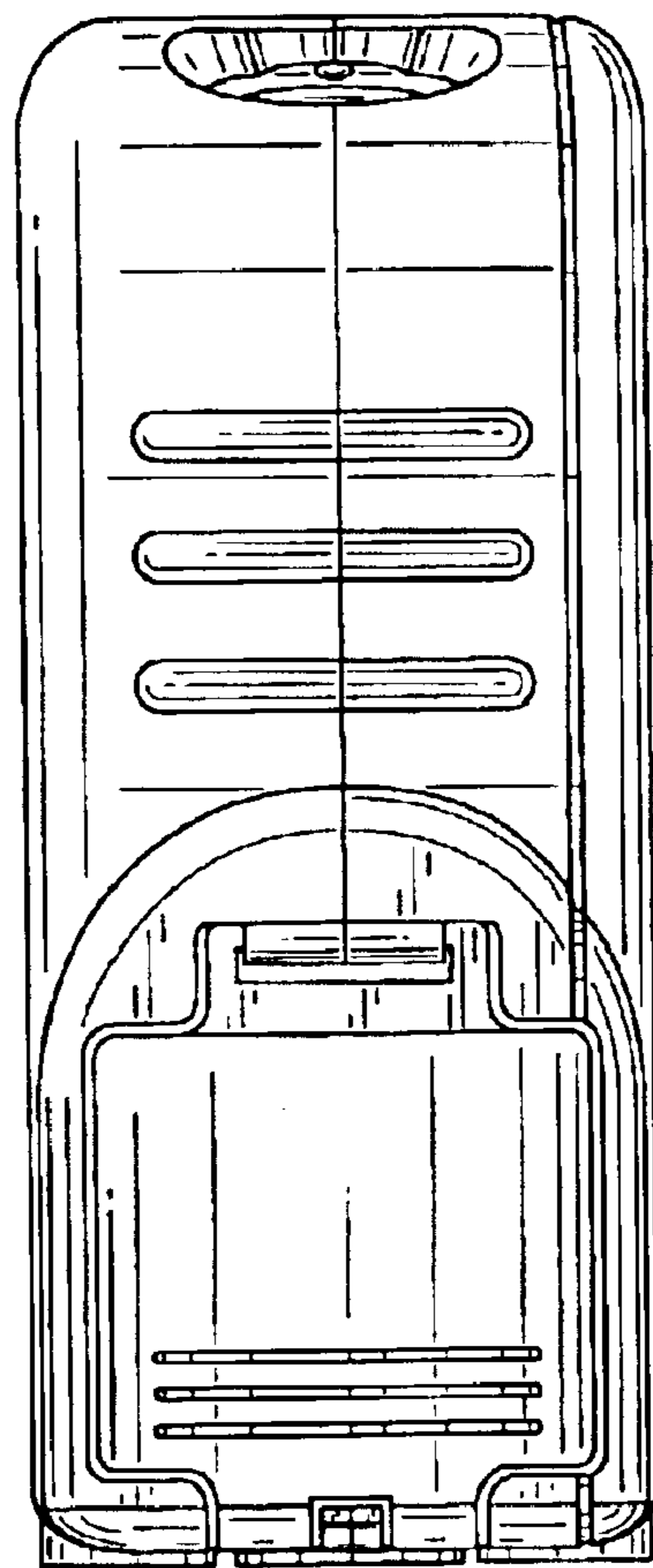


FIG. 5

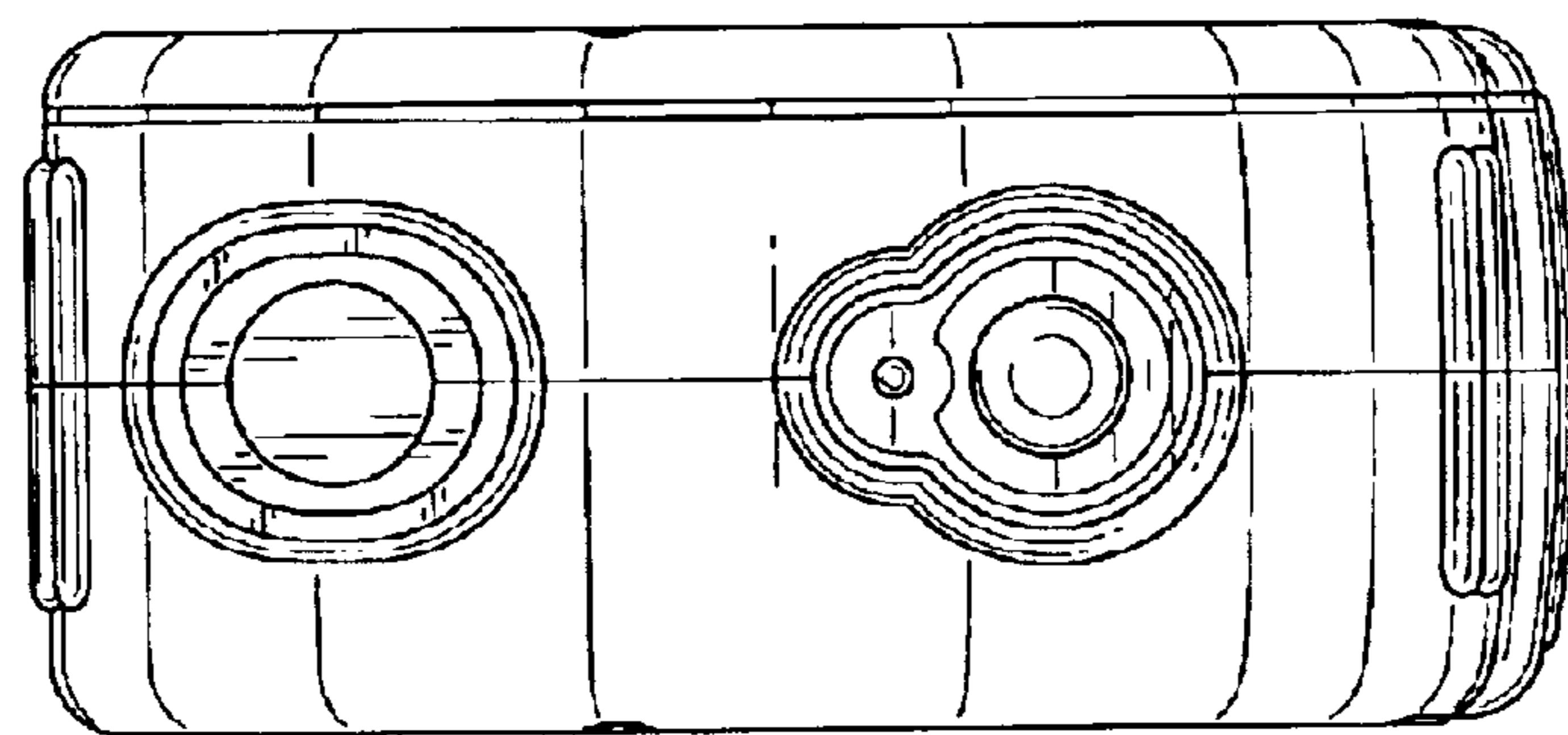


FIG. 6

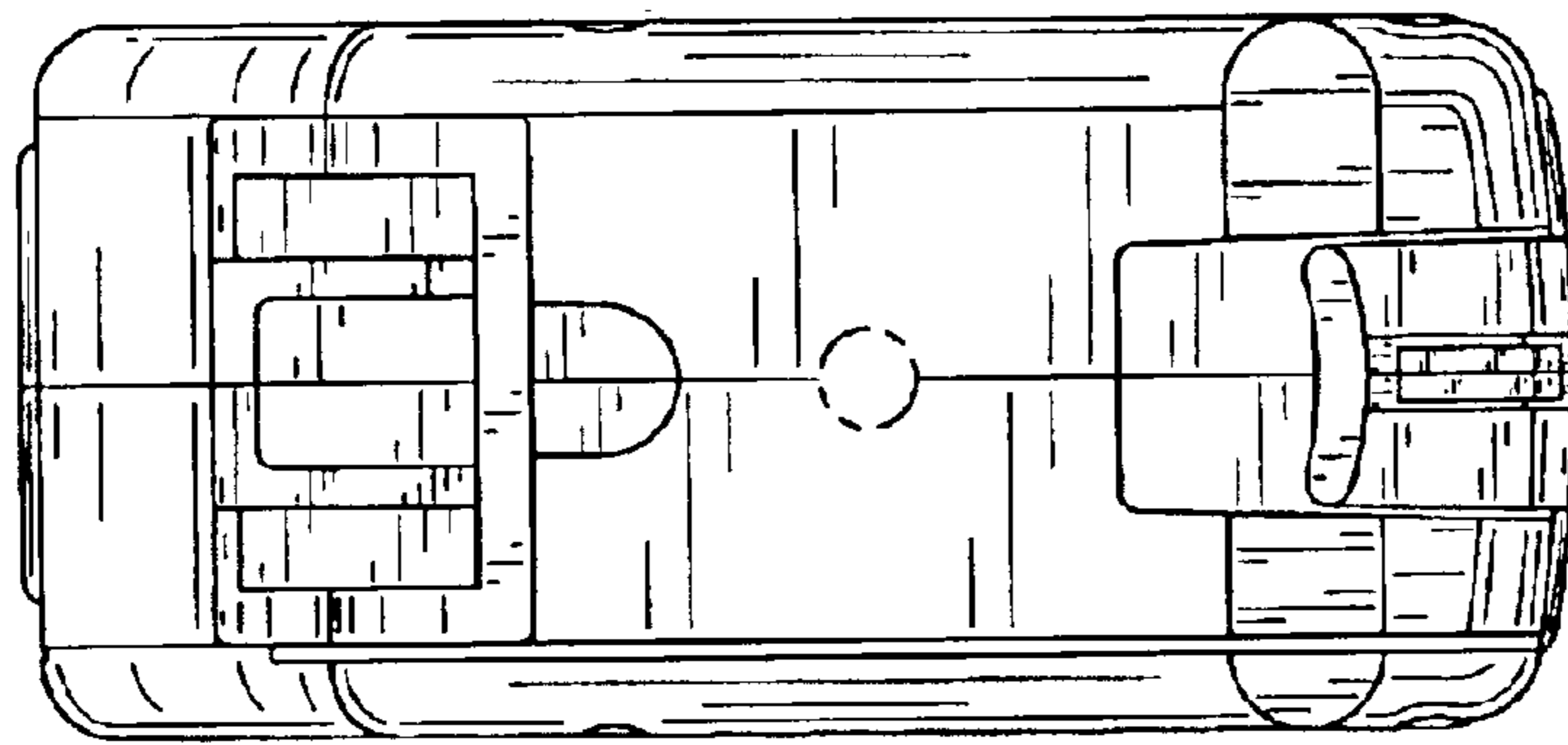


FIG. 7