

US00D494075S1

(12) **United States Design Patent**
Chen

(10) **Patent No.:** **US D494,075 S**

(45) **Date of Patent:** **** Aug. 10, 2004**

(54) **LASER PICTURE HANGER**

(75) **Inventor:** **Sean Chen, Taipei (TW)**

(73) **Assignee:** **Sean & Stephen Corp., Taipei (TW)**

(**) **Term:** **14 Years**

(21) **Appl. No.:** **29/190,042**

(22) **Filed:** **Sep. 16, 2003**

(51) **LOC (7) Cl. 10-04**

(52) **U.S. Cl. D10/69**

(58) **Field of Search** D10/69, 65, 74;
33/285, 286, 290, 291, 292, 348, 348.2,
379-383; 356/247, 248, 249, 250, 138

(56) **References Cited**

U.S. PATENT DOCUMENTS

1,822,740	A	*	9/1931	Gallasch et al.	33/348
5,182,863	A	*	2/1993	Rando	33/227
5,287,627	A	*	2/1994	Rando	33/227
5,594,993	A	*	1/1997	Tager et al.	33/227
6,012,229	A	*	1/2000	Shiao	33/365
6,065,217	A	*	5/2000	Dong	33/290
D457,446	S	*	5/2002	Kallabis	D10/69
6,577,388	B2	*	6/2003	Kallabis	356/139.1

OTHER PUBLICATIONS

Cole Parmer Industrial Advantage Catalog, 2001/2002, p. 546, laser levels.*

Northern Tool & Equipment, Summer 2002, p. 177, pocket type rotary laser level, [retrieved on Apr. 7, 2004]. Retrieved from internet using Google Advanced Catalog search, <URL:www.notherntool.com>.*

* cited by examiner

Primary Examiner—Lucy Lieberman

(74) *Attorney, Agent, or Firm*—Rosenberg, Klein & Lee

(57) **CLAIM**

The ornamental design for a laser picture hanger, as shown and described.

DESCRIPTION

FIG. 1 is a perspective view of a laser picture hanger showing my new design;

FIG. 2 is a front elevational view thereof;

FIG. 3 is a rear elevational view thereof;

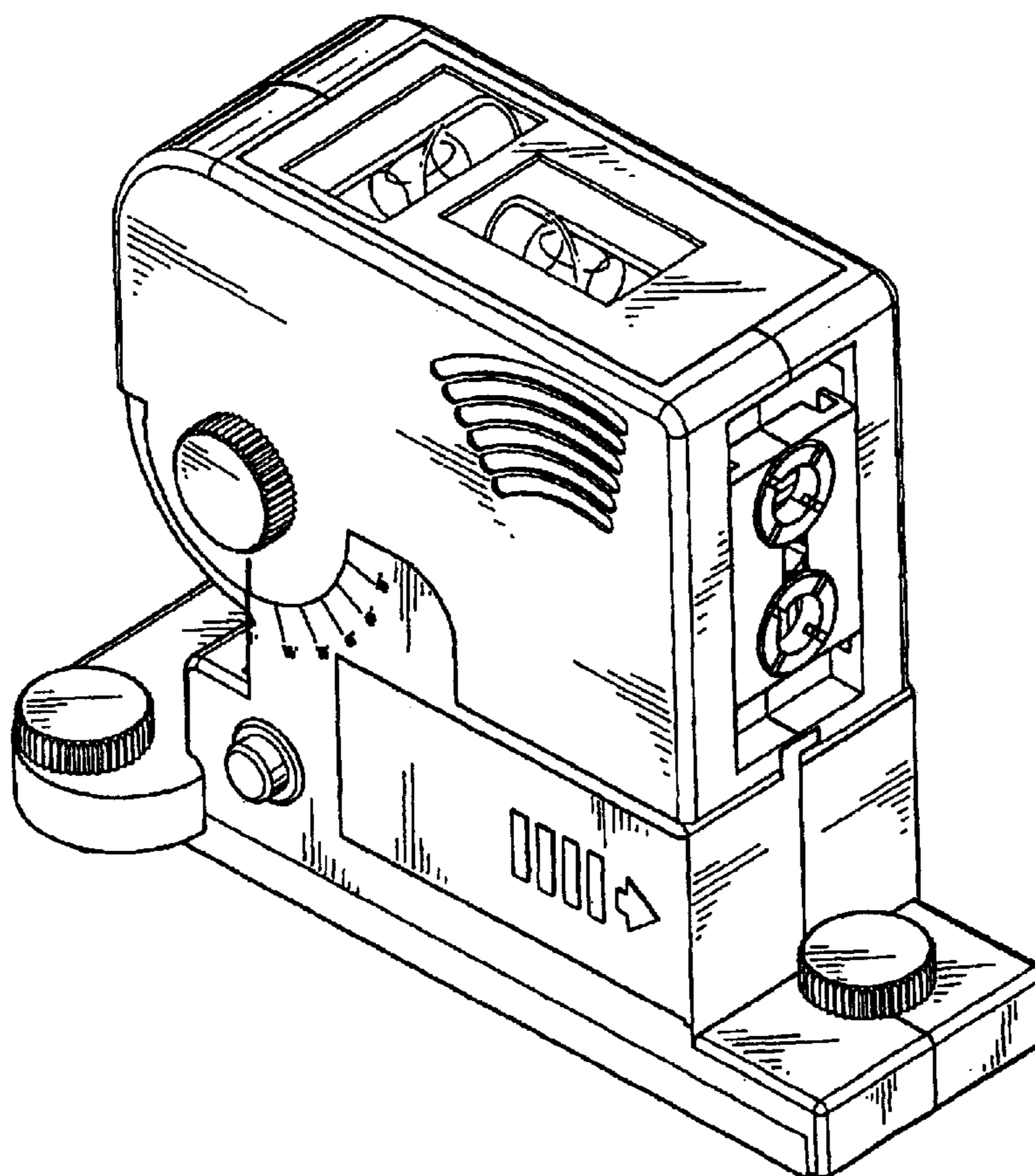
FIG. 4 is a left side elevational view thereof;

FIG. 5 is a right side elevational view thereof;

FIG. 6 is a top plan view thereof; and,

FIG. 7 is a bottom plan view thereof.

1 Claim, 5 Drawing Sheets



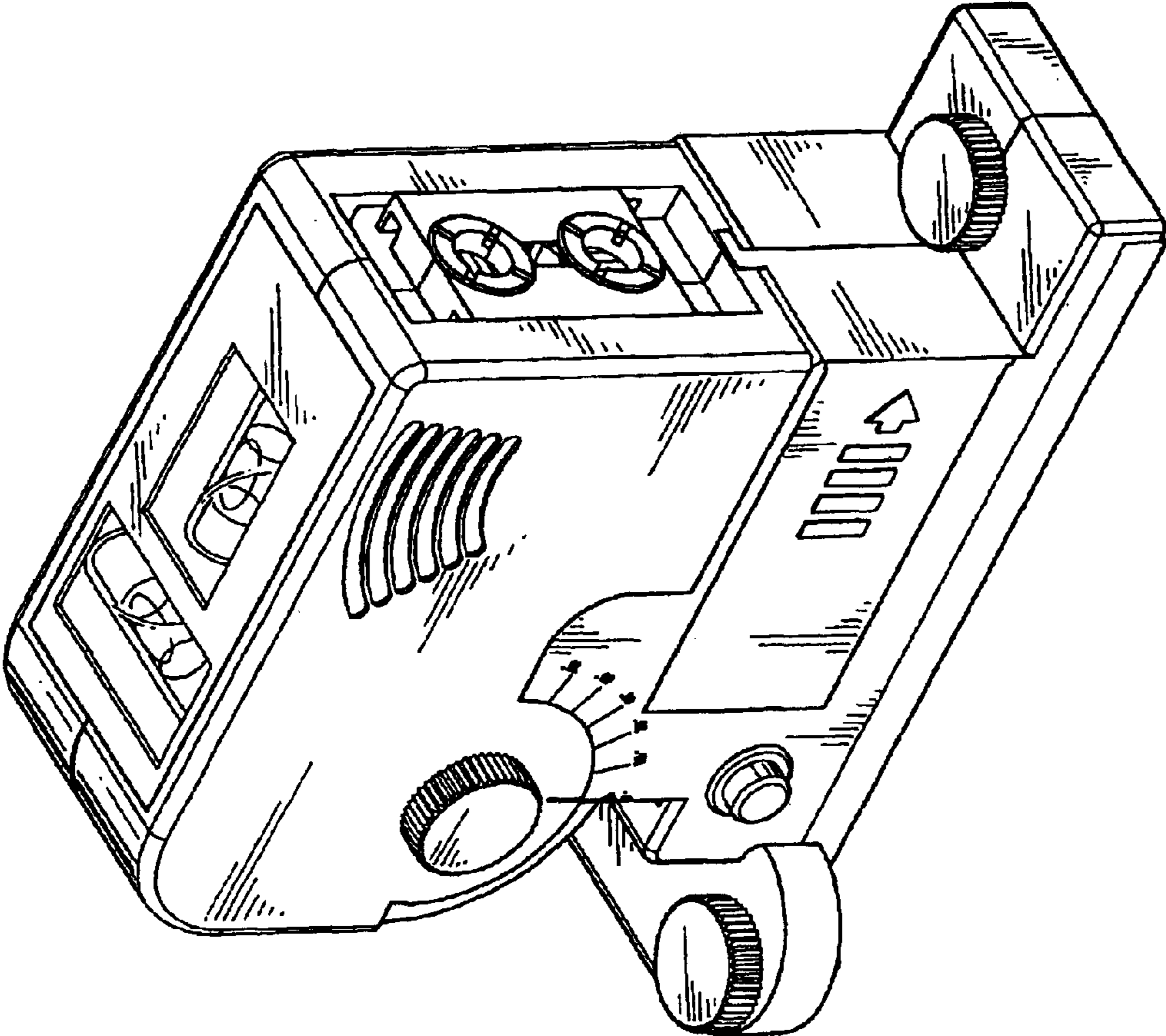


FIG. 1

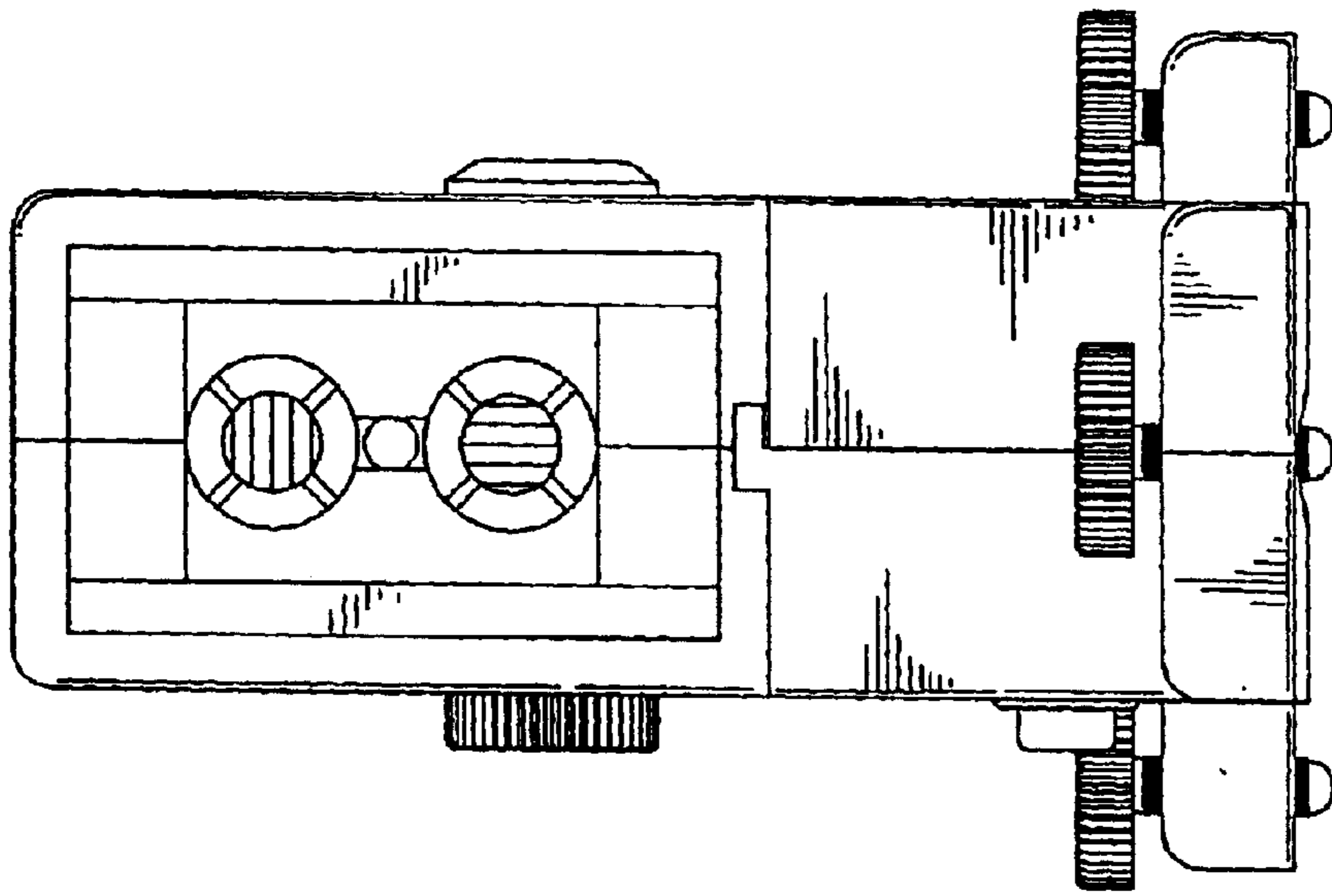


FIG. 2

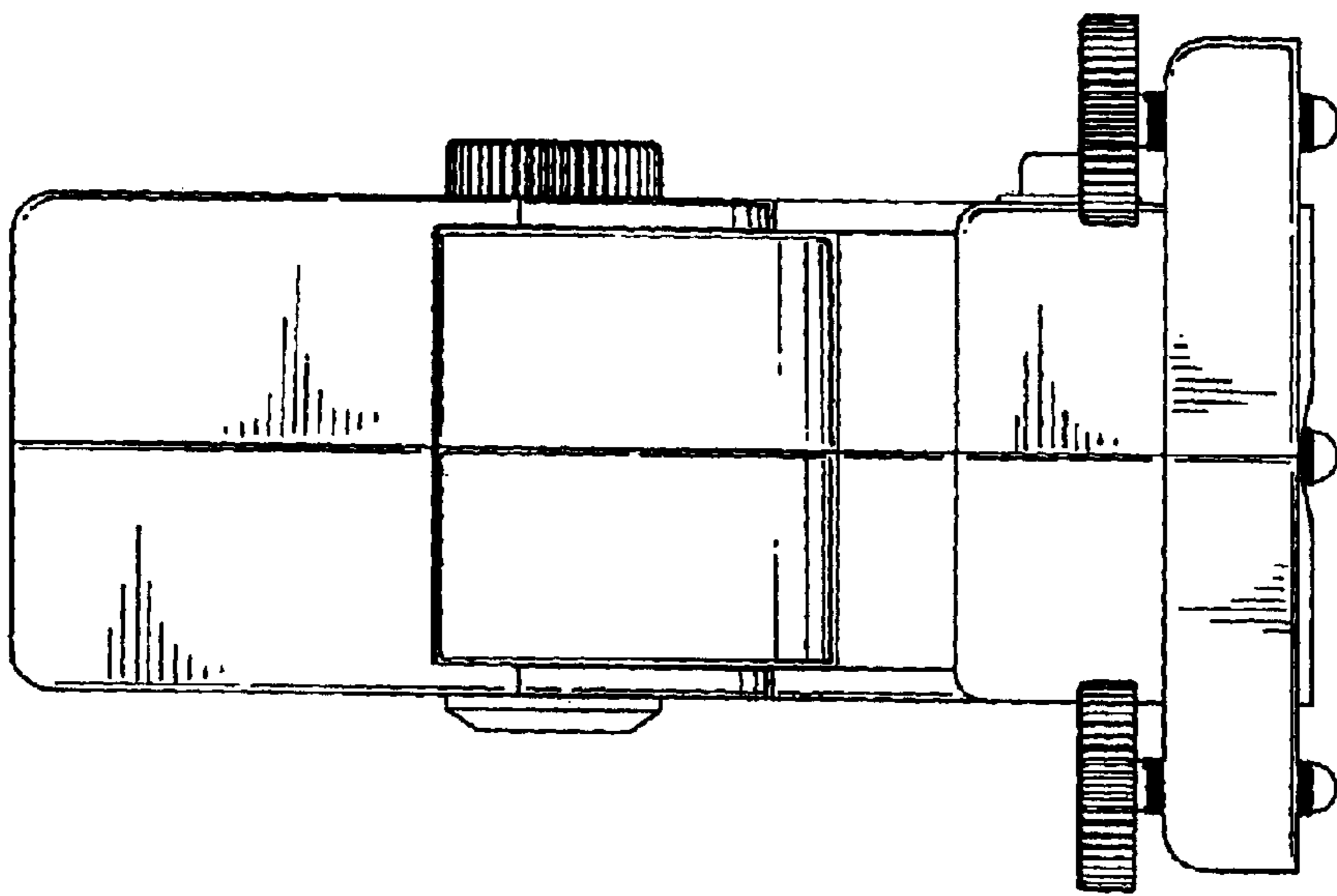


FIG. 3

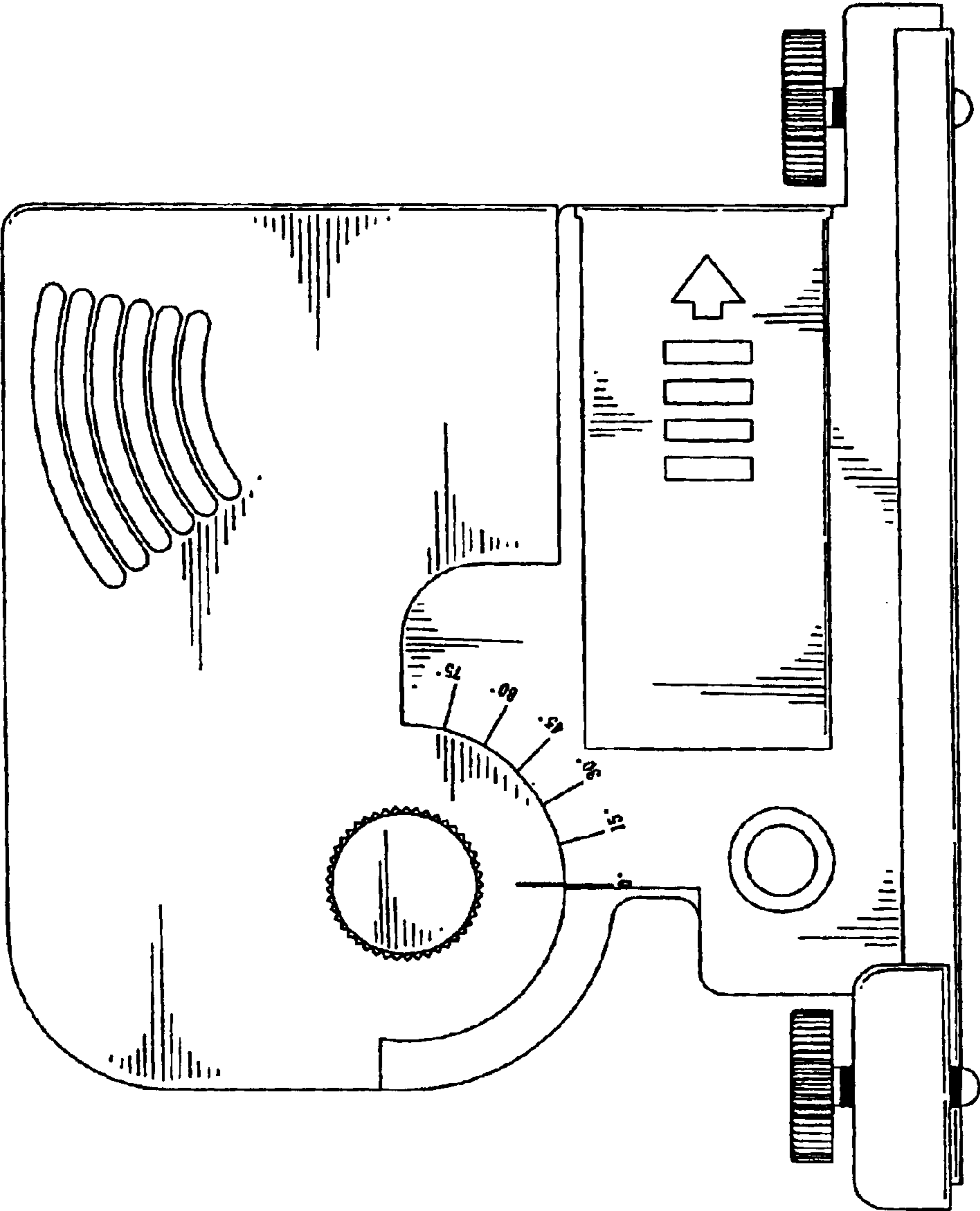


FIG. 4

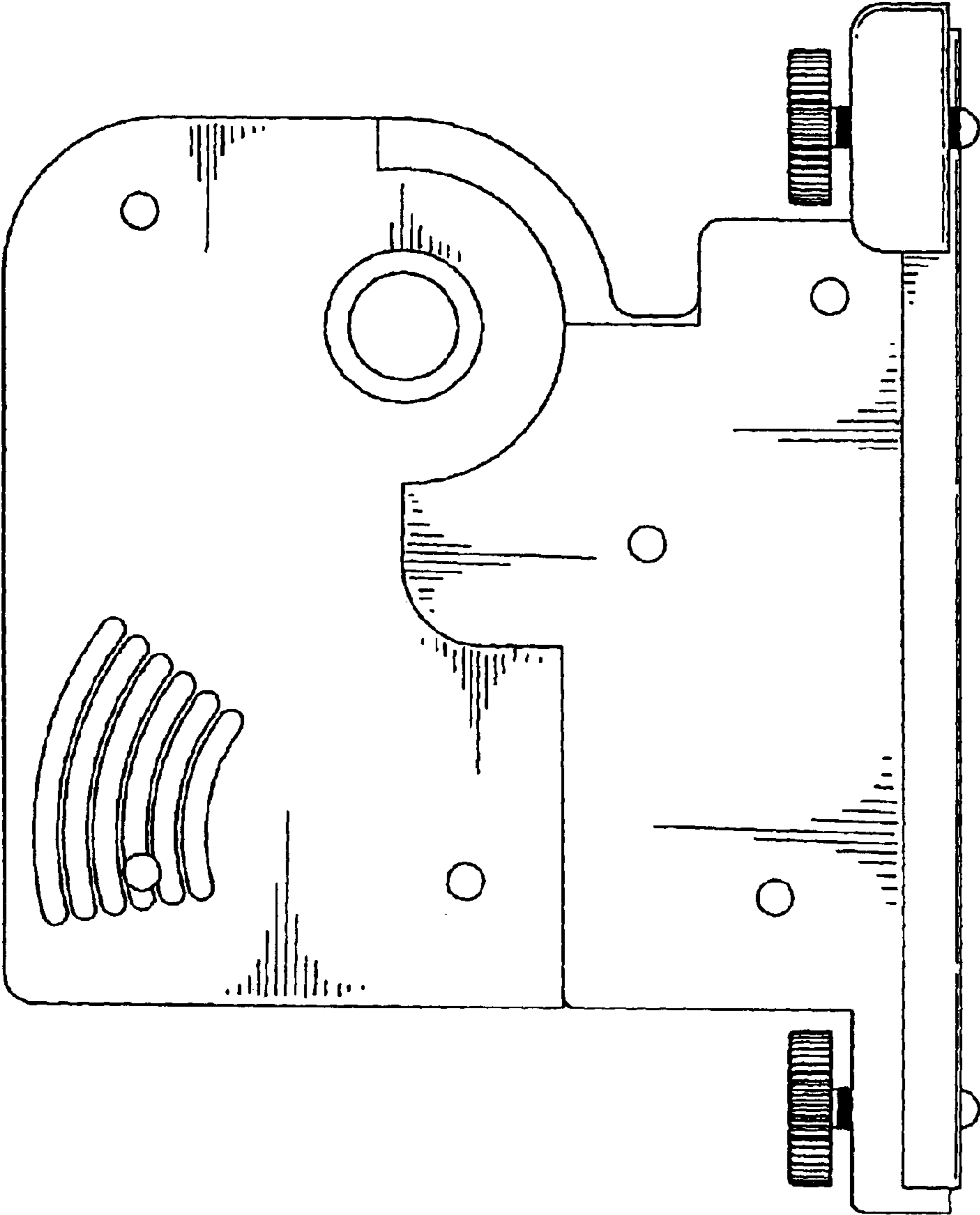


FIG. 5

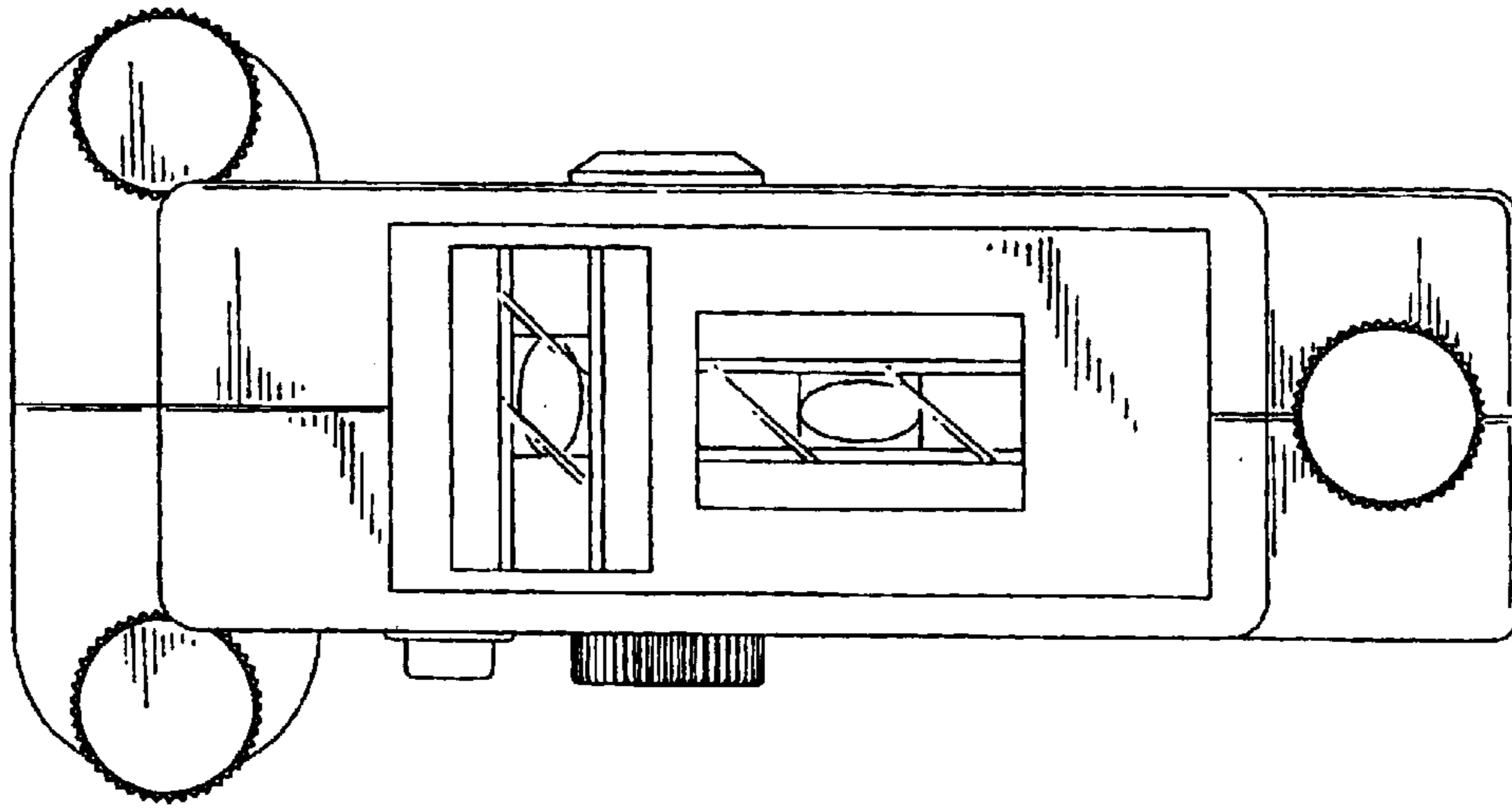


FIG. 6

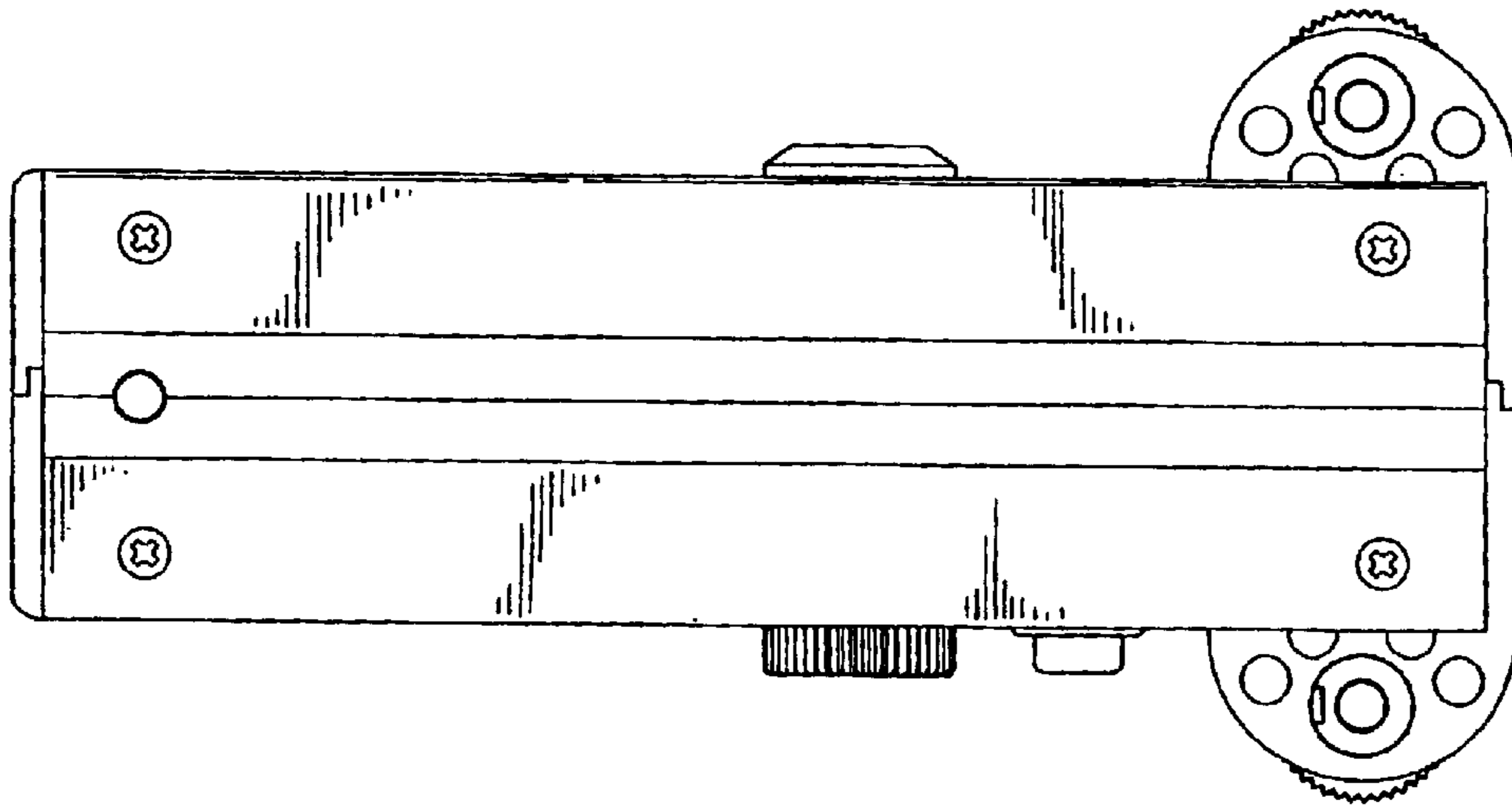


FIG. 7