



US00D494074S1

(12) **United States Design Patent**
Ishii

(10) **Patent No.:** **US D494,074 S**

(45) **Date of Patent:** **** Aug. 10, 2004**

(54) **OPTICAL MEASURING THEODOLITE**

D427,087 S * 6/2000 Kaneko et al. D10/66
6,119,355 A * 9/2000 Raby 33/291
D450,254 S 11/2001 Ishii

(75) **Inventor:** **Mitsuo Ishii, Itabashi-ku (JP)**

* cited by examiner

(73) **Assignee:** **Kabushiki Kaisha Topcon, Tokyo (JP)**

Primary Examiner—Paula A. Greene

(**) **Term:** **14 Years**

(74) *Attorney, Agent, or Firm*—Jacobson Holman PLLC

(21) **Appl. No.:** **29/194,459**

(57) **CLAIM**

(22) **Filed:** **Nov. 26, 2003**

The ornamental design for an optical measuring theodolite, as shown and described.

(30) **Foreign Application Priority Data**

Sep. 12, 2003 (JP) 2003-026797

DESCRIPTION

(51) **LOC (7) Cl.** **10-04**

FIG. 1 is a front view of the present optical measuring theodolite,

(52) **U.S. Cl.** **D10/66; D16/130; D10/50**

FIG. 2 is a rear view thereof,

(58) **Field of Search** D10/66, 50; 356/138–155;
33/281, 285–286, 290–299; D16/130

FIG. 3 is a left side view thereof,

FIG. 4 is a right side view thereof,

FIG. 5 is a plan view thereof,

FIG. 6 is a bottom view thereof,

FIG. 7 is a perspective view thereof taken in an left upper direction; and,

FIG. 8 is an enlarged view thereof taken along lines a—a and b—b.

The broken lines are for illustrative purposes only and forms no part of the claimed design.

(56) **References Cited**

U.S. PATENT DOCUMENTS

4,752,126 A * 6/1988 Fujii 356/140
D364,573 S 11/1995 Pearsall
D367,233 S * 2/1996 Hoshino D10/66
D375,464 S 11/1996 Hoshino
D389,418 S * 1/1998 Takayama et al. D10/66
D409,507 S * 5/1999 Ishii D10/66
D416,856 S 11/1999 Onose

1 Claim, 8 Drawing Sheets

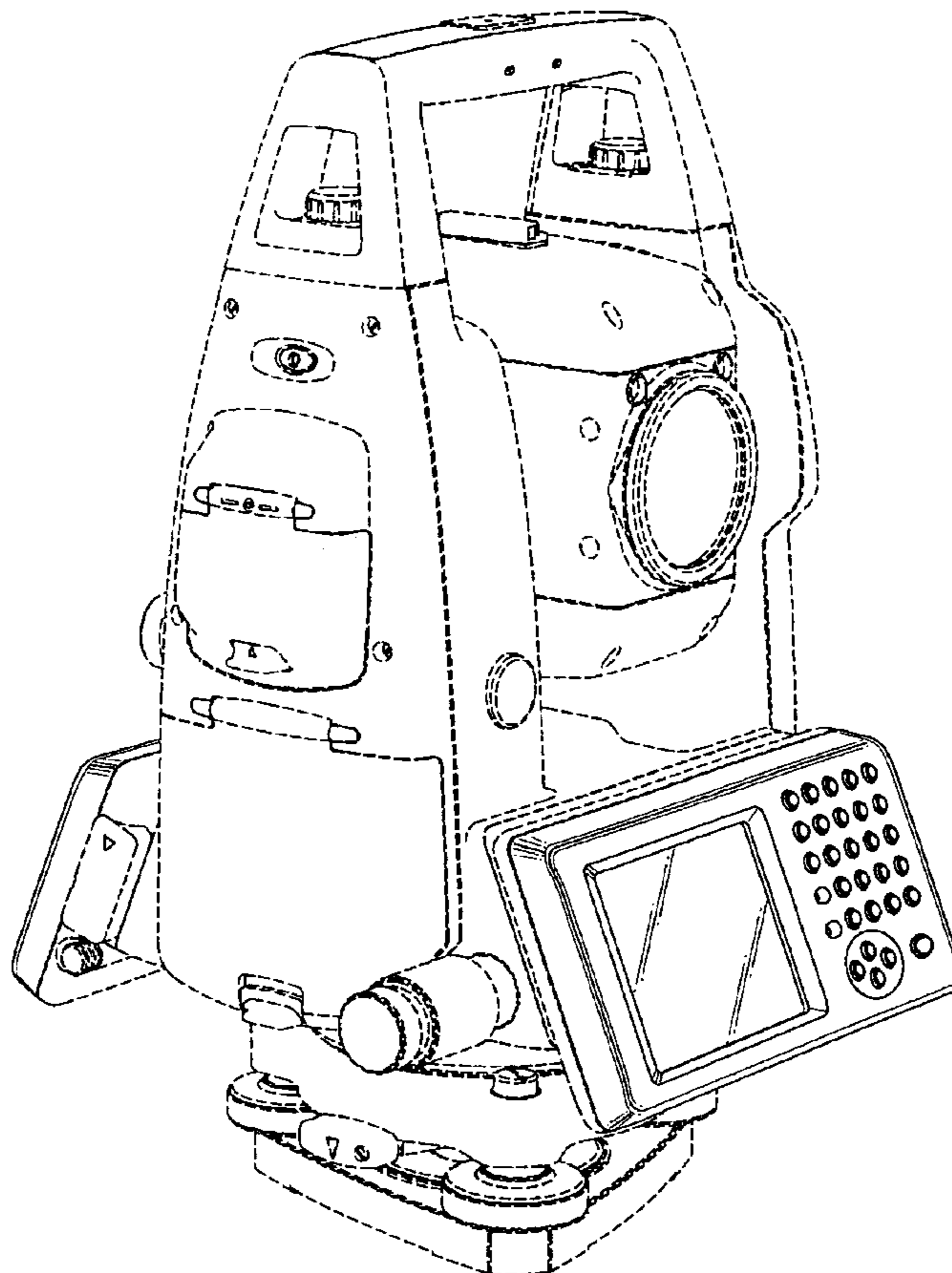


FIG.1

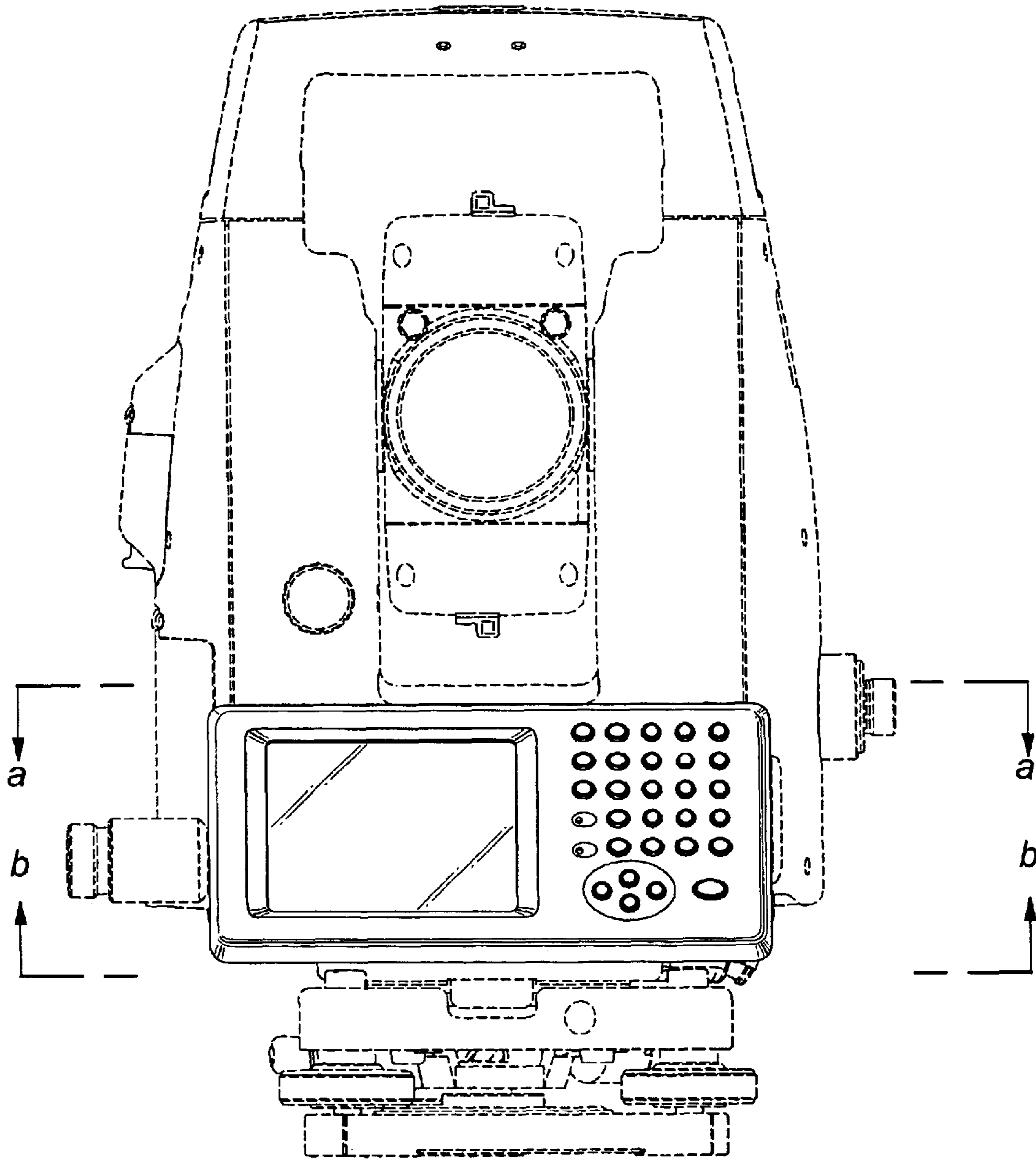


FIG.2

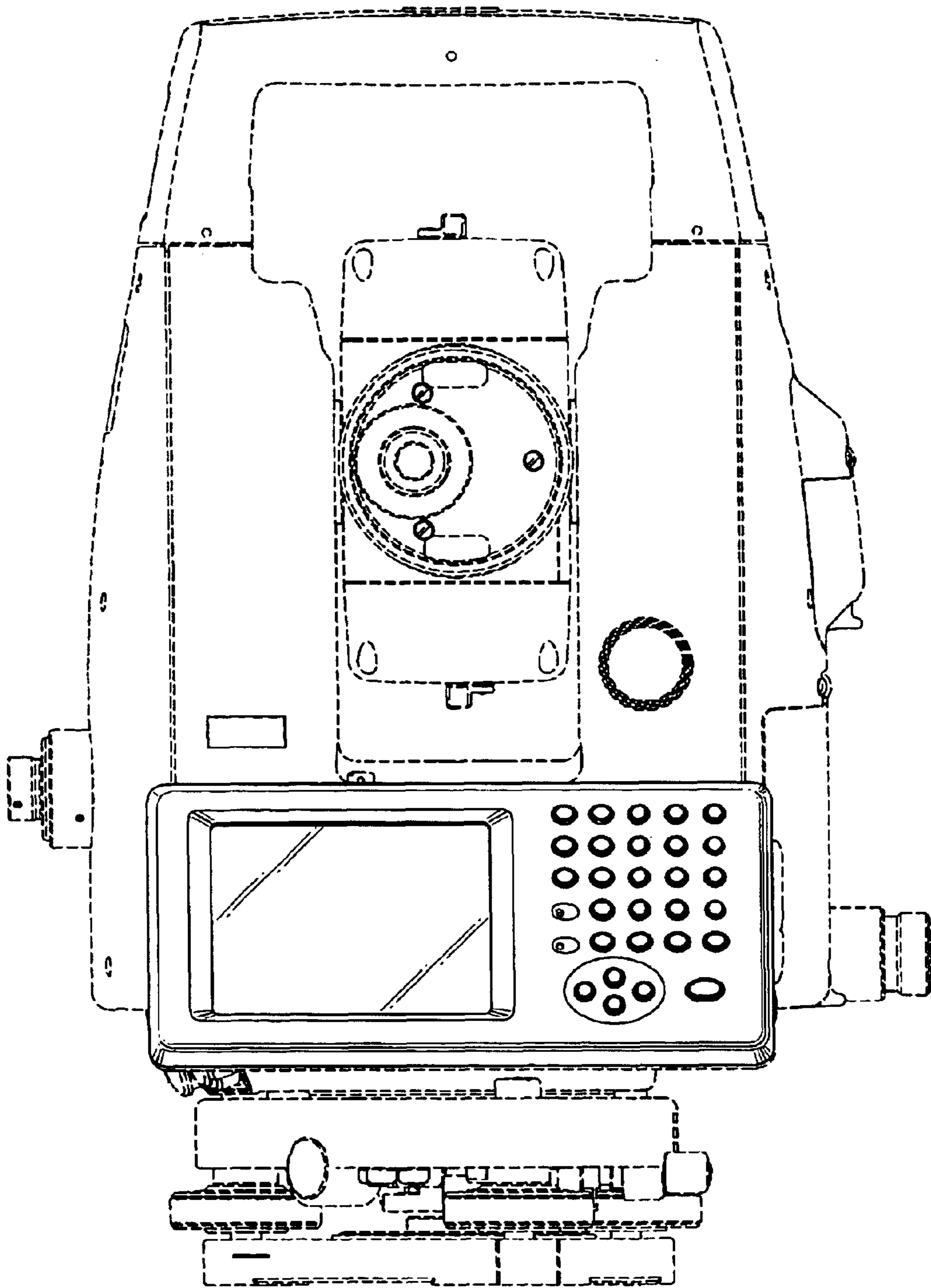


FIG.3

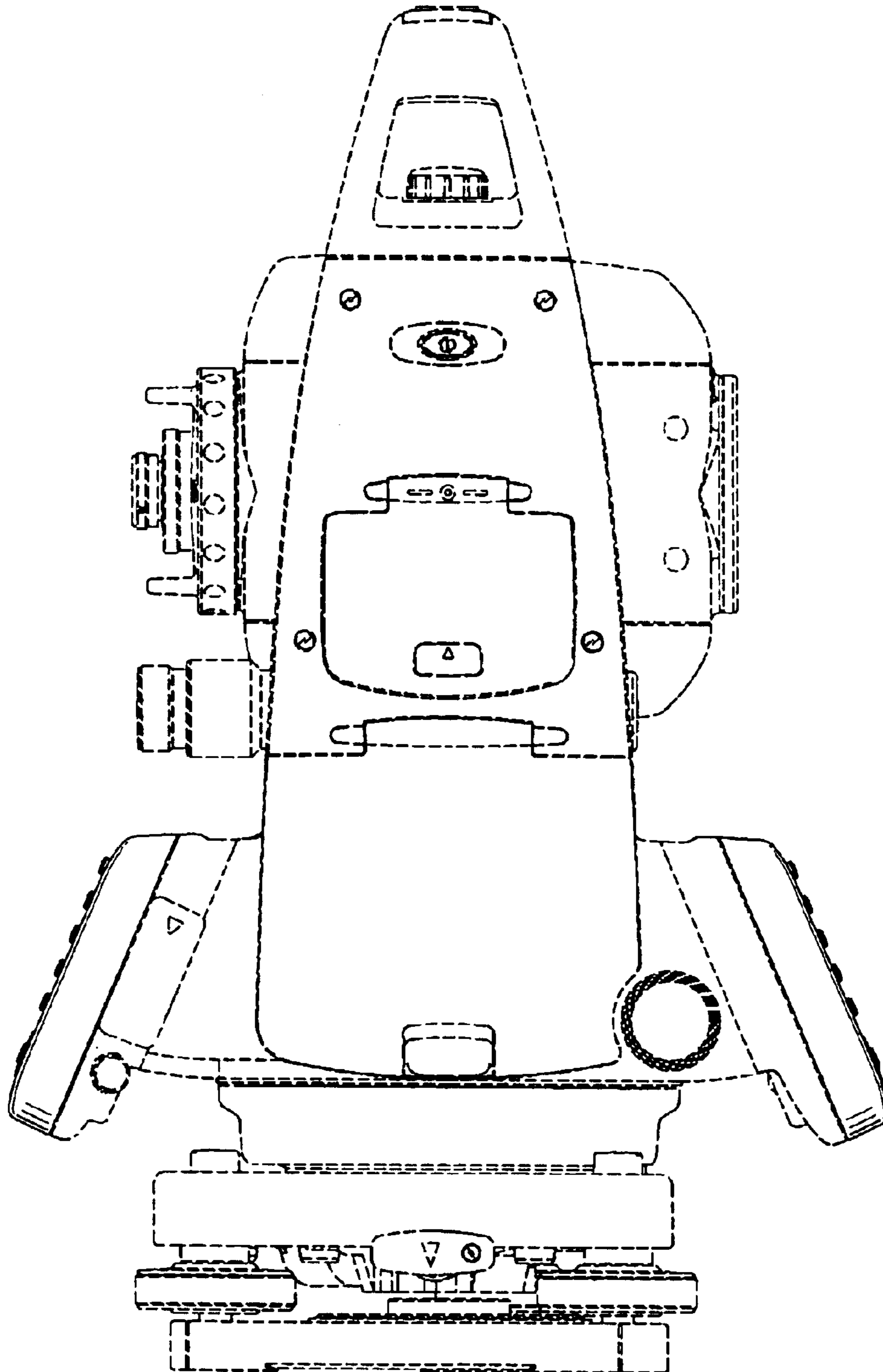


FIG.4

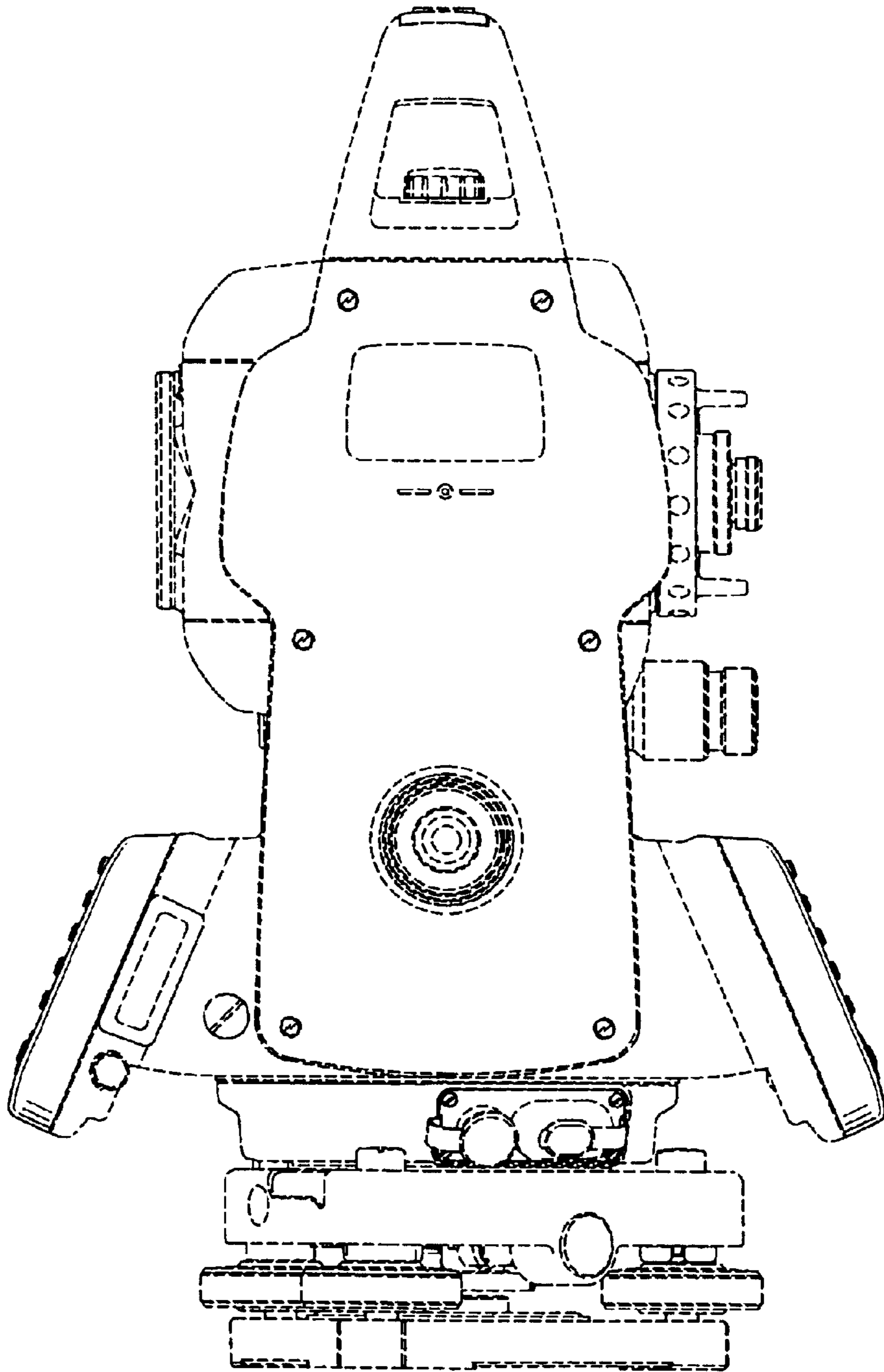


FIG. 5

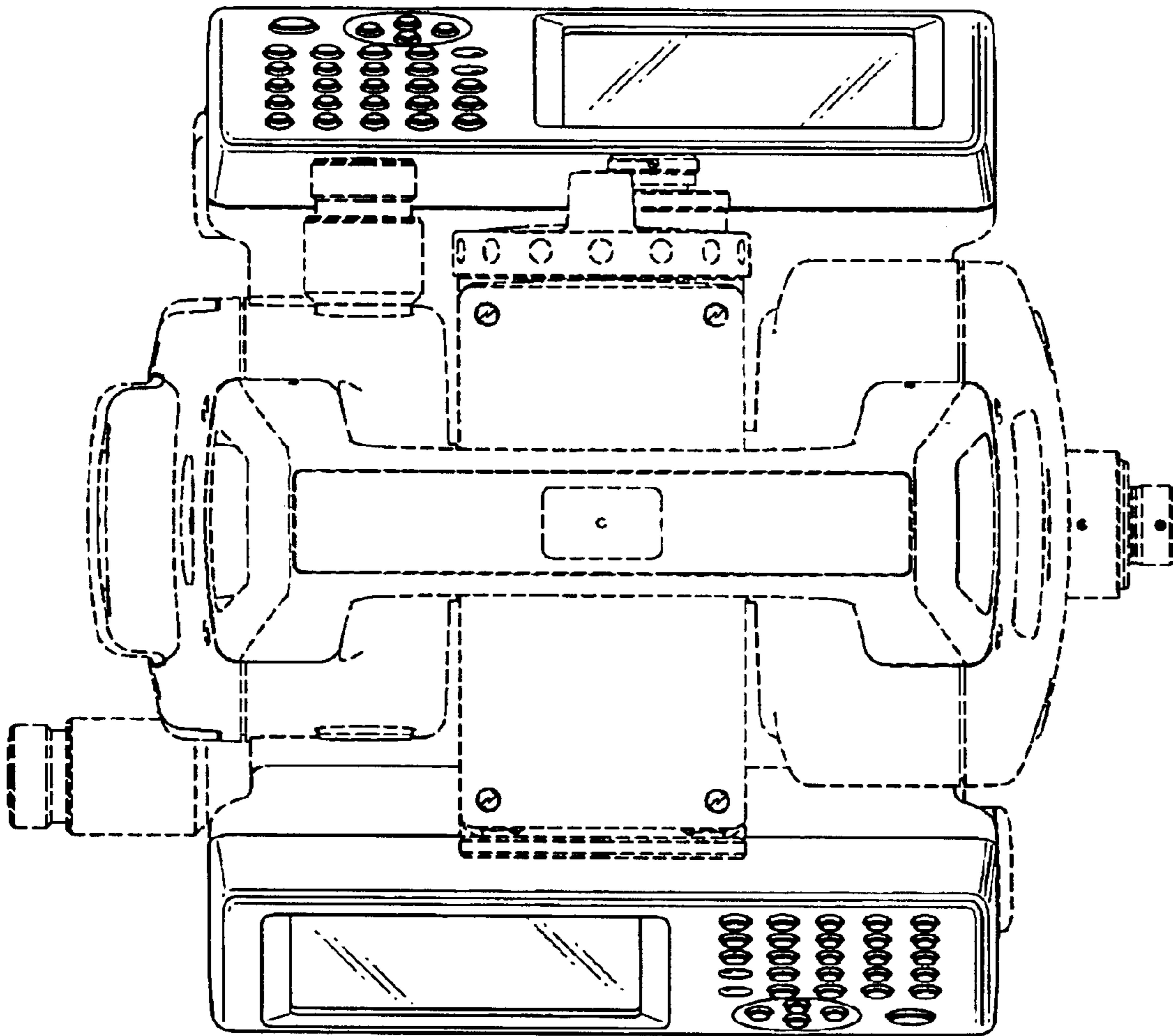


FIG.6

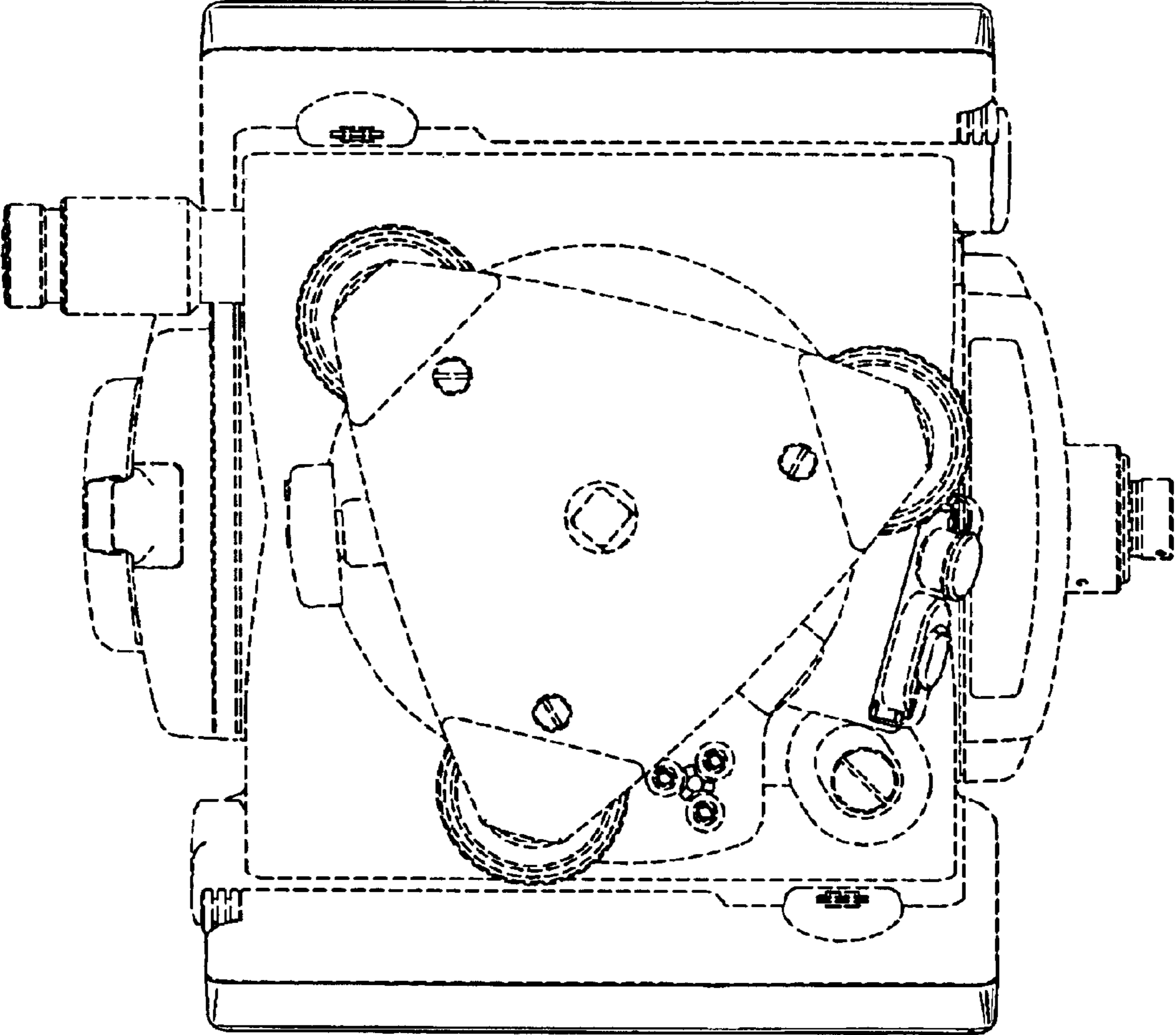


FIG.7

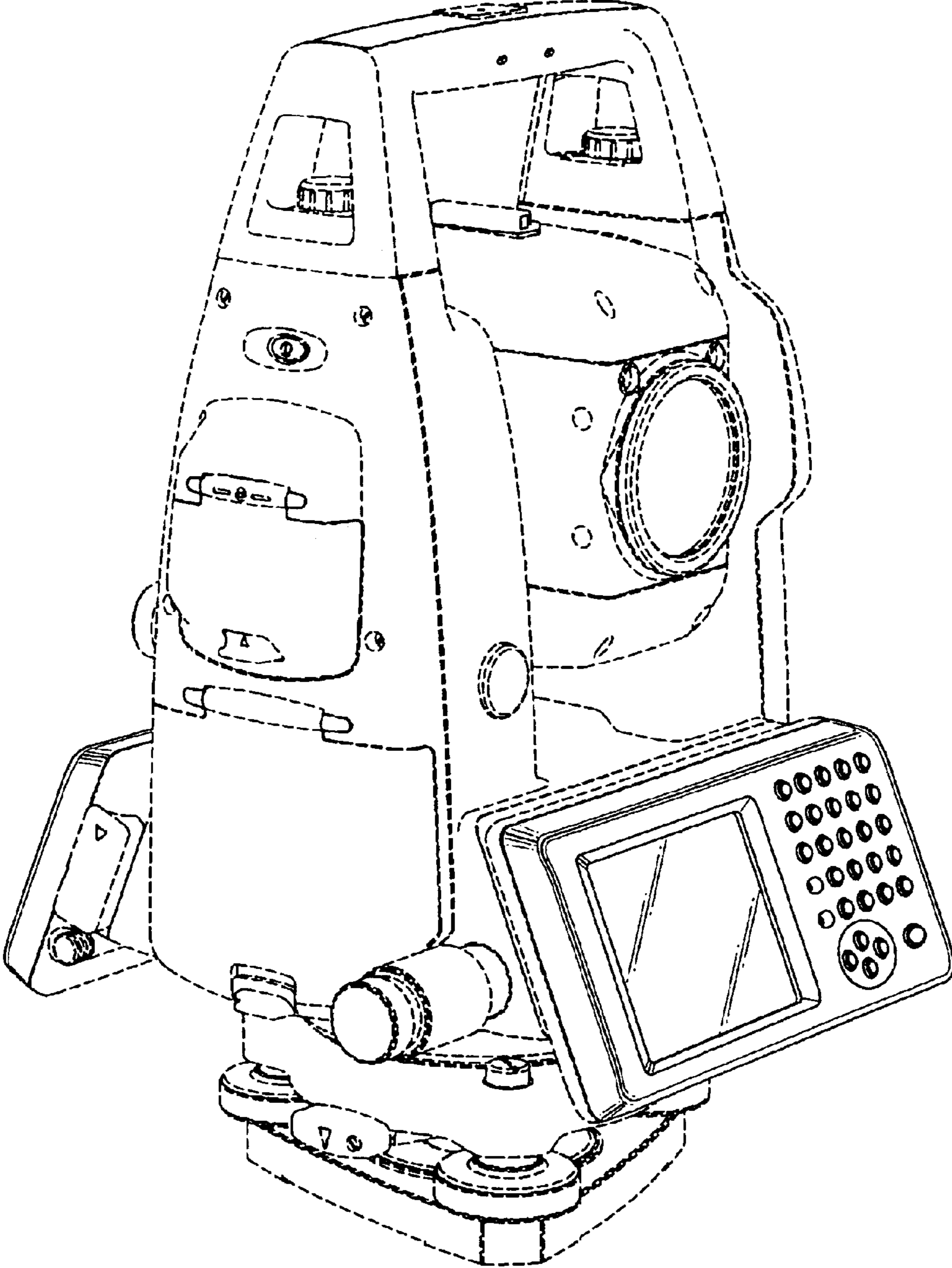


FIG. 8

